



US00D499465S

(12) **United States Design Patent**
Paul, III

(10) **Patent No.:** **US D499,465 S**

(45) **Date of Patent:** **** Dec. 7, 2004**

(54) **GARDEN HOSE**

(75) **Inventor:** **Frank W. Paul, III**, Brownsville, TN
(US)

(73) **Assignee:** **Teknor Apex Company**, Pawtucket, RI
(US)

(**) **Term:** **14 Years**

(21) **Appl. No.:** **29/189,388**

(22) **Filed:** **Sep. 4, 2003**

(51) **LOC (7) Cl.** **23-01**

(52) **U.S. Cl.** **D23/266**

(58) **Field of Search** D23/266; 138/118,
138/118.1, 126, 128, 157

(56) **References Cited**

U.S. PATENT DOCUMENTS

D197,378 S *	1/1964	Greczin	D23/266
3,529,633 A *	9/1970	Vaillancourt	138/118
D323,207 S *	1/1992	Cole et al.	D23/266
5,899,236 A *	5/1999	Coronado et al.	138/125
6,322,109 B1 *	11/2001	Campbell et al.	285/92

* cited by examiner

Primary Examiner—Robin V. Taylor

(74) *Attorney, Agent, or Firm*—Salter & Michaelson

(57) **CLAIM**

The ornamental design for a garden hose, as shown and described.

DESCRIPTION

FIG. 1 is a perspective view of a garden hose showing my new design;

FIG. 2 is a side elevational view thereof.

FIG. 3 is an elevational view of the opposite side thereof;

FIG. 4 is a top plan view thereof, the bottom plan view being a mirror image thereof;

FIG. 5 is an end view thereof;

FIG. 6 is a perspective view of a second embodiment of my new design;

FIG. 7 is a side elevational view thereof;

FIG. 8 is an elevational view of the opposite side thereof;

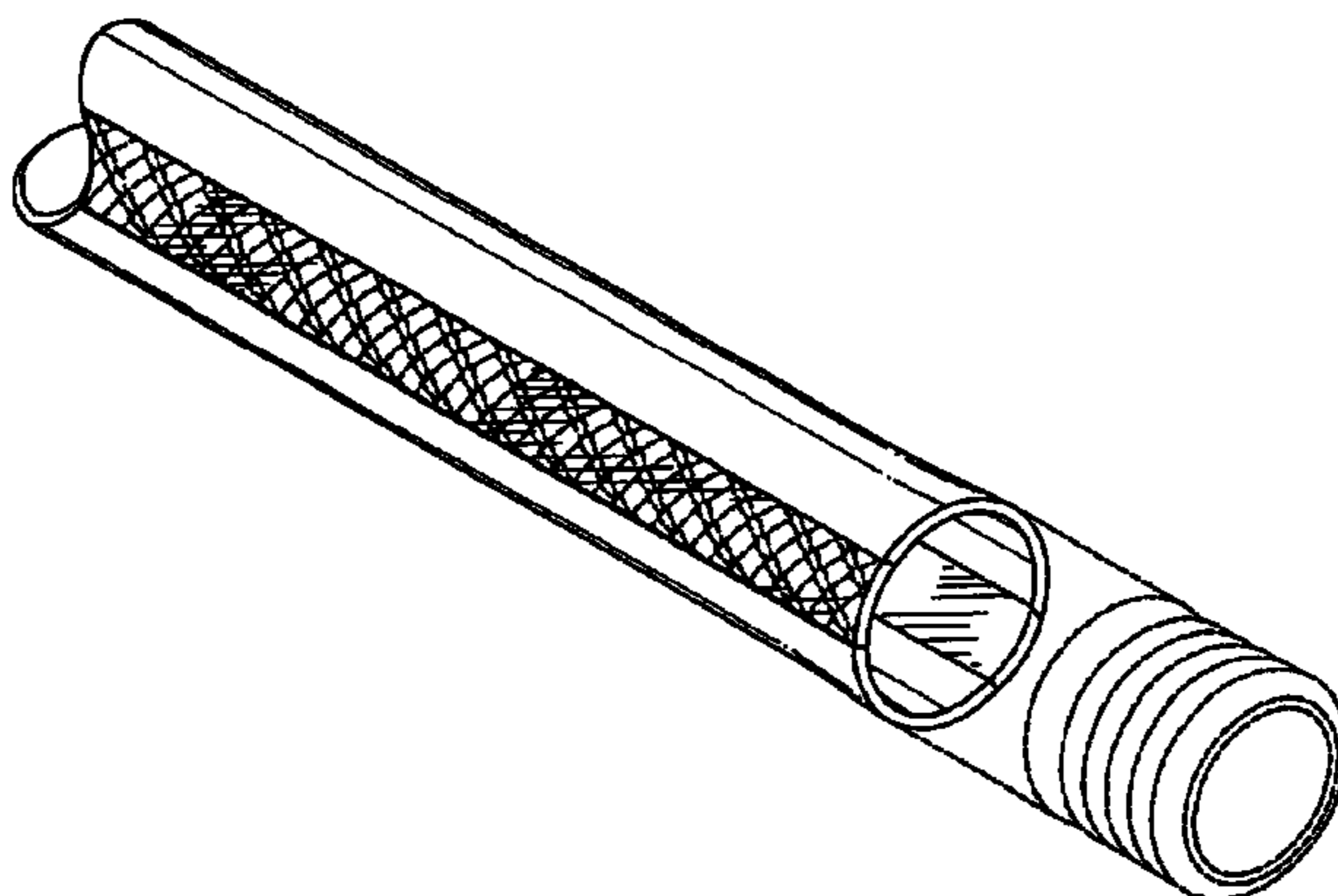
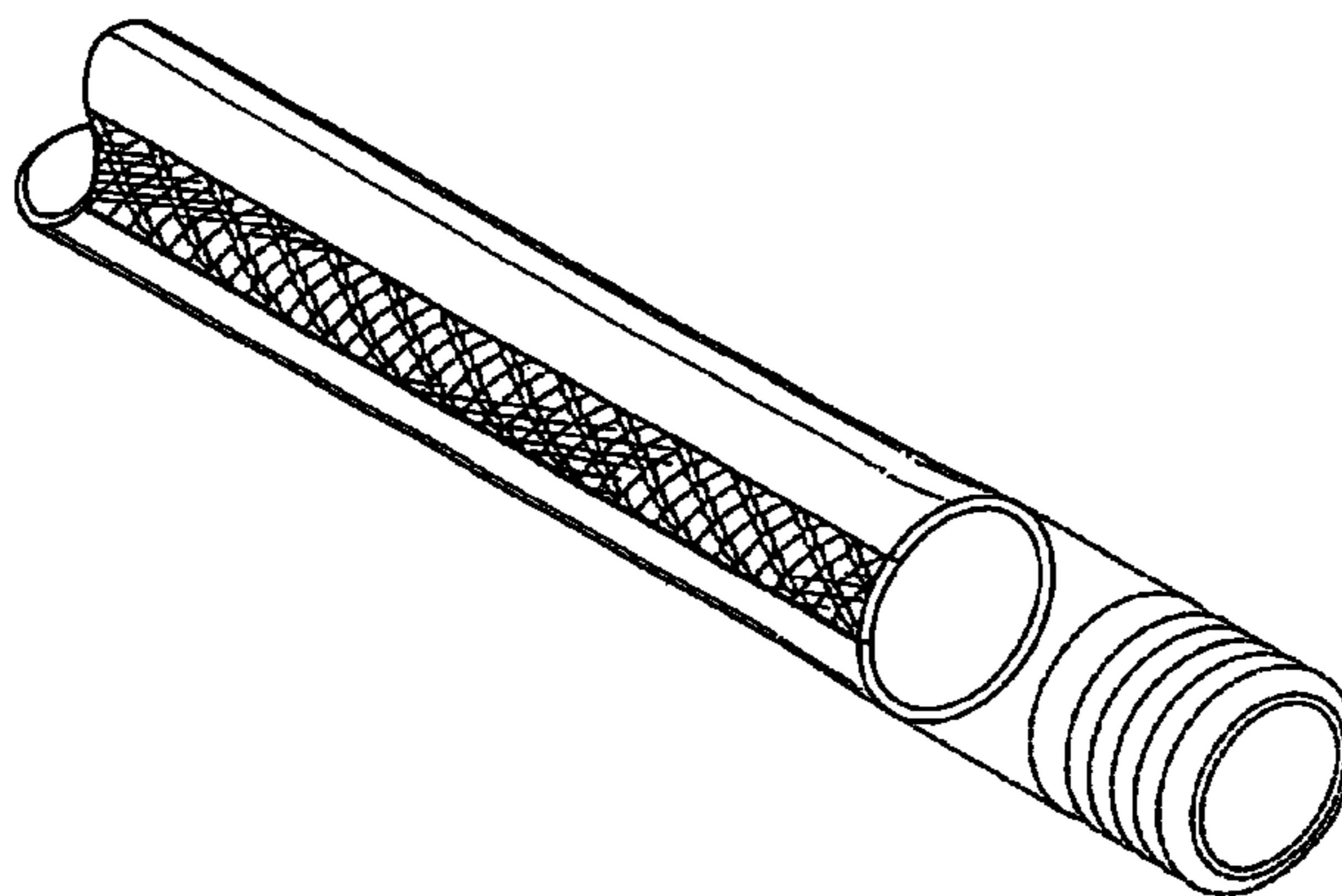
FIG. 9 is a top plan view thereof, the bottom plan view being a mirror image thereof; and,

FIG. 10 is an end view thereof.

The broken line portion in FIG. 1 and FIG. 6 is for information only and forms no part of the claimed design.

The characteristic feature of the design resides in an opaque outer coating for the garden hose having a transparent strip-like portion extending longitudinally thereof on one or both sides thereof.

1 Claim, 4 Drawing Sheets



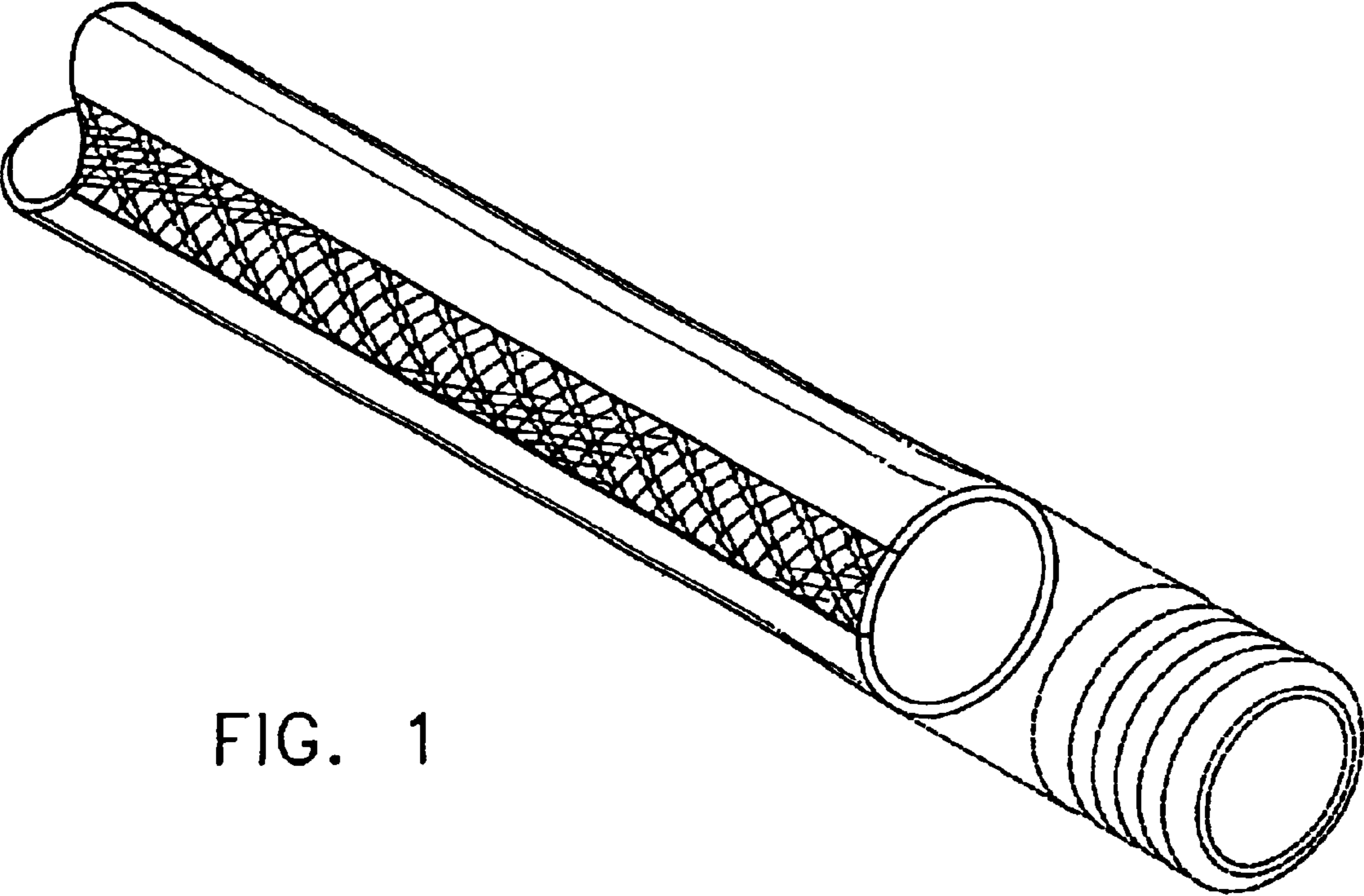


FIG. 1

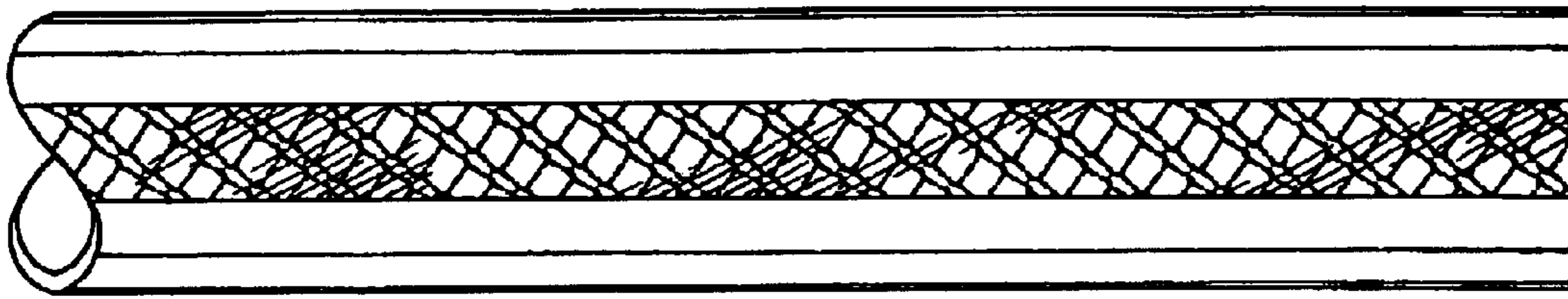


FIG. 2

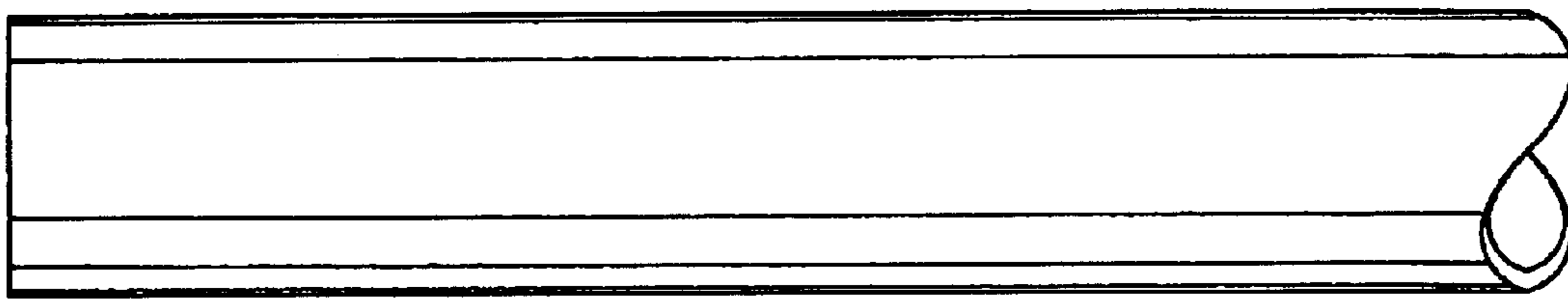


FIG. 3

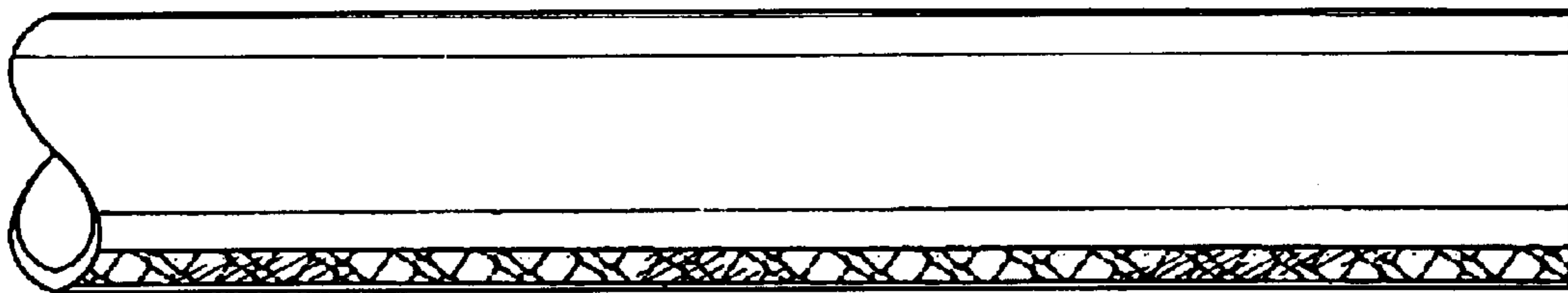


FIG. 4

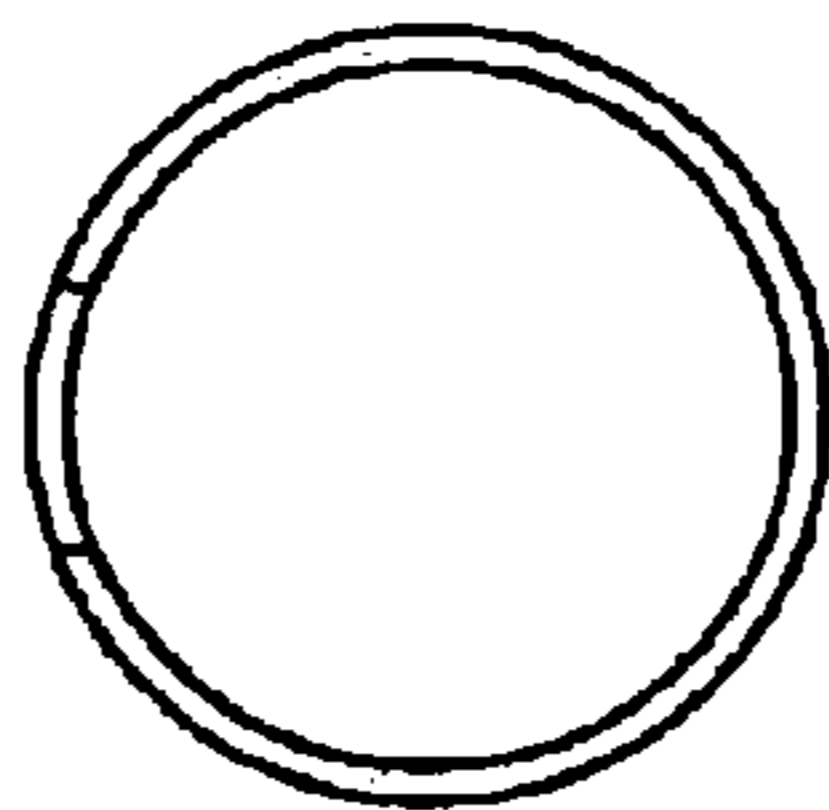


FIG. 5

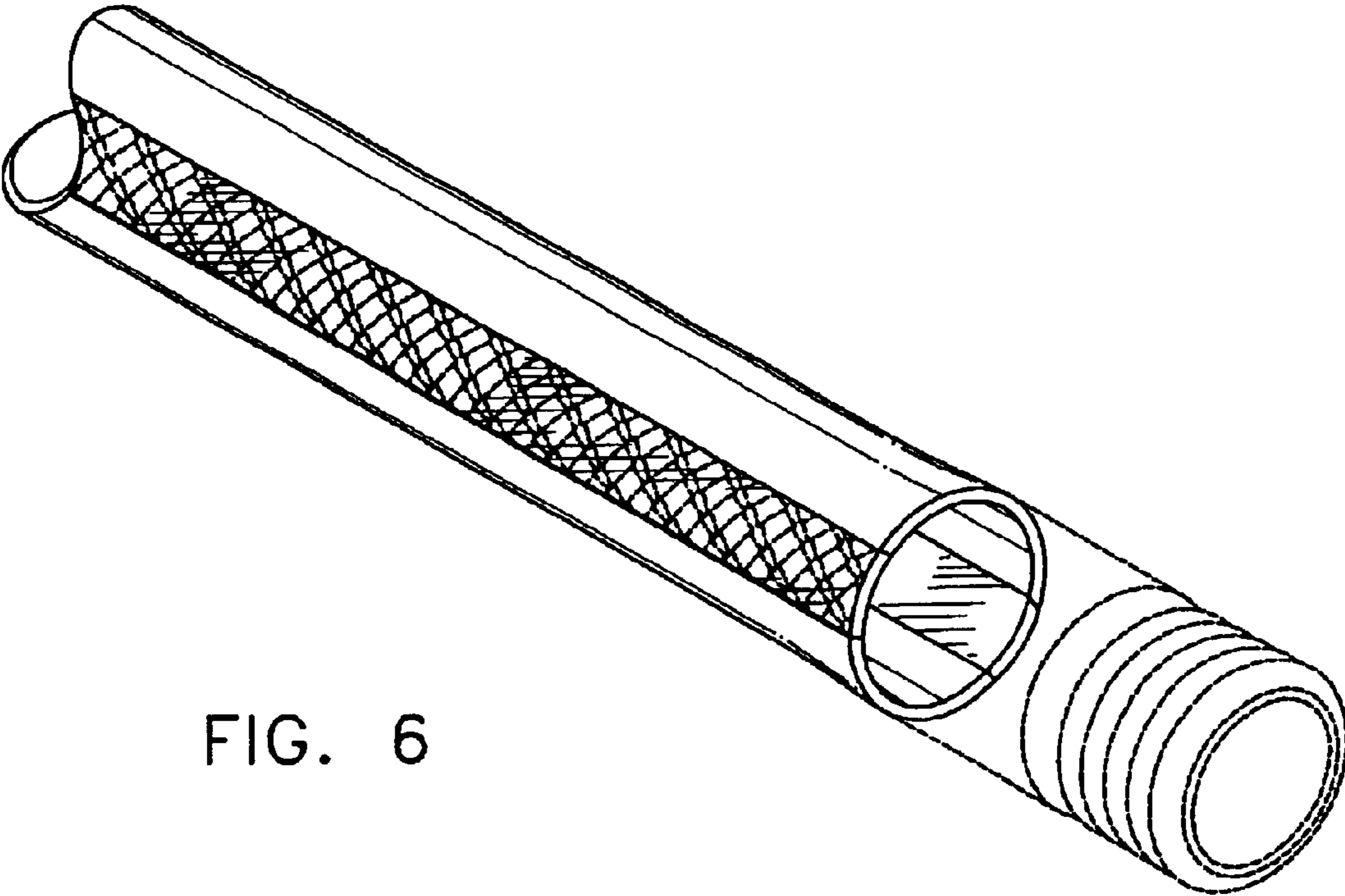


FIG. 6

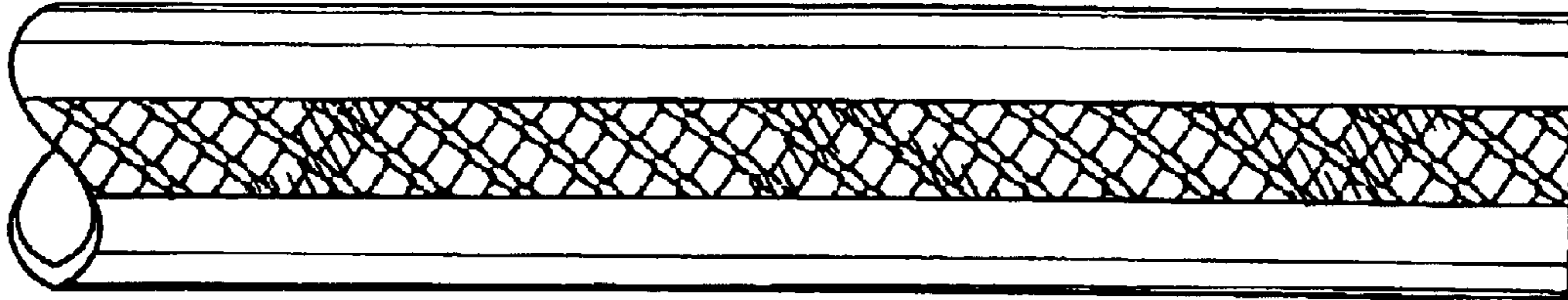


FIG. 7

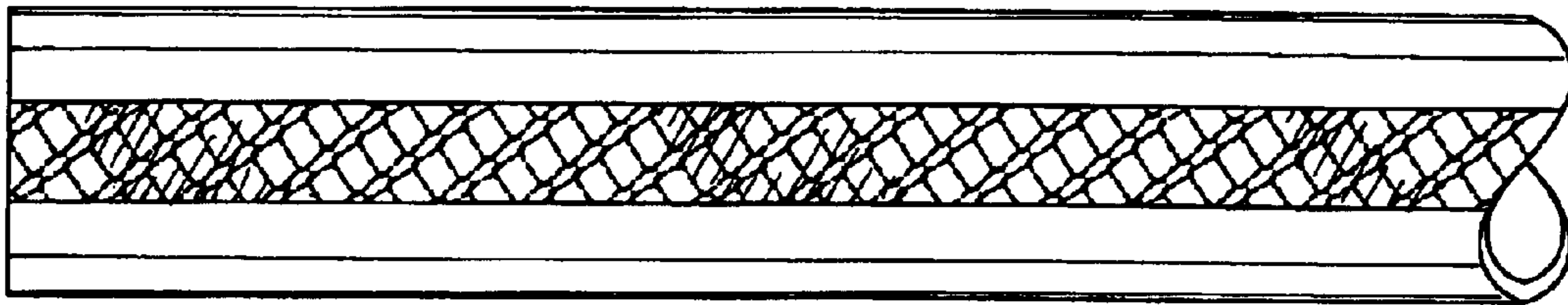


FIG. 8

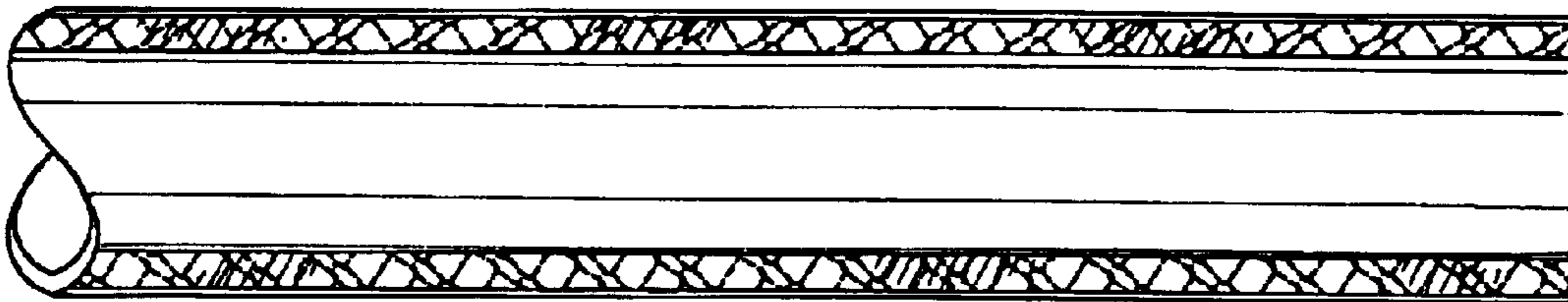


FIG. 9

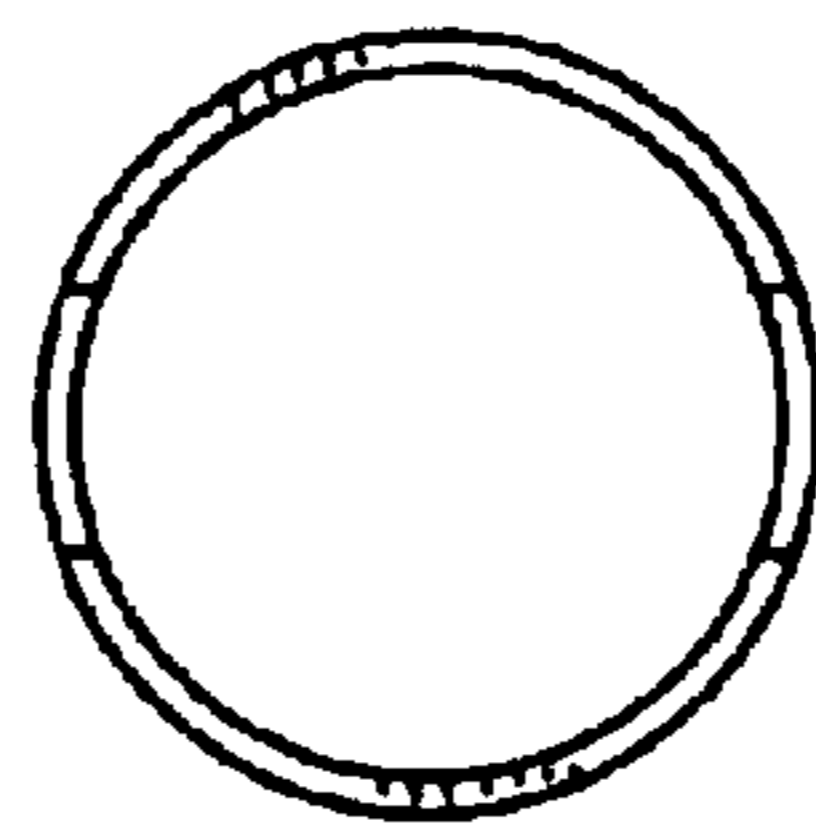


FIG. 10