



US00D499464S

(12) **United States Design Patent**
Caine

(10) **Patent No.:** **US D499,464 S**

(45) **Date of Patent:** **** Dec. 7, 2004**

(54) **PRESSURE REGULATOR**

(75) **Inventor:** **Donald R. Caine**, Greensboro, NC
(US)

(73) **Assignee:** **Camco Manufacturing, Inc.**,
Greensboro, NC (US)

(**) **Term:** **14 Years**

(21) **Appl. No.:** **29/198,470**

(22) **Filed:** **Jan. 30, 2004**

(51) **LOC (7) Cl.** **23-01**

(52) **U.S. Cl.** **D23/236; D23/233**

(58) **Field of Search** **D23/233, 235-237,**
D23/248-249; 137/315.08, 390, 413-414

(56) **References Cited**

U.S. PATENT DOCUMENTS

D260,280 S	*	8/1981	Campbell	D23/237
4,462,417 A	*	7/1984	Trinkwalder, Jr.	137/39
D278,739 S	*	5/1985	Galloway	D23/233
D285,332 S	*	8/1986	Trinkwalder	D23/246
5,460,197 A	*	10/1995	Kerger et al.	137/39
D412,738 S	*	8/1999	Kuwabara	D23/233
6,076,546 A	*	6/2000	Waters	137/390
6,138,709 A	*	10/2000	Home	137/413
6,178,994 B1	*	1/2001	Park	137/413

D442,267 S	*	5/2001	Kouda	D23/262
6,293,302 B1	*	9/2001	Waters et al.	137/390
6,408,869 B1	*	6/2002	Bartos et al.	137/414
6,523,564 B1	*	2/2003	Phillips	137/430

* cited by examiner

Primary Examiner—Nelson C. Holtje

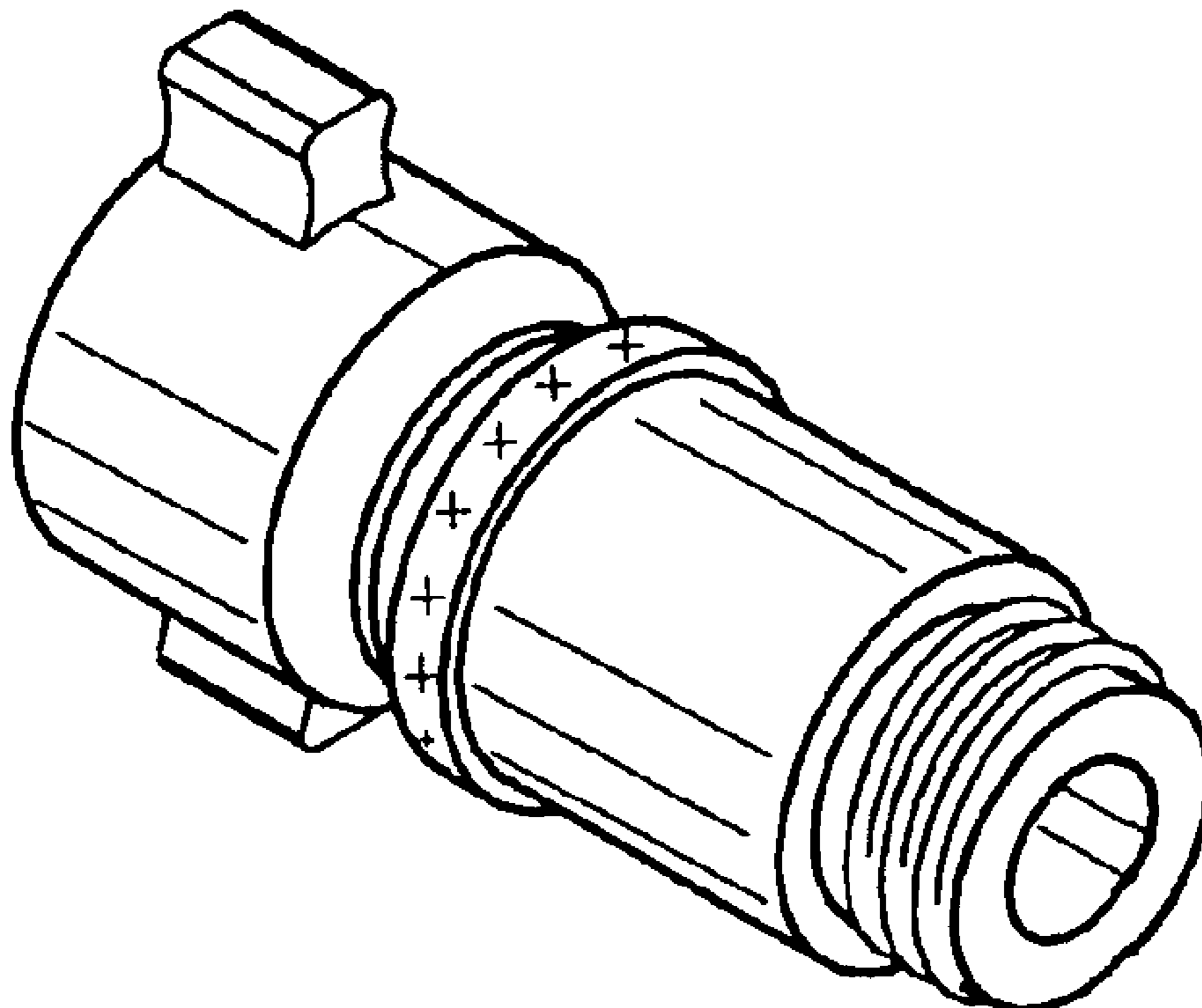
(57) **CLAIM**

The ornamental design for a pressure regulator, as shown and described.

DESCRIPTION

FIG. 1 is a front, bottom right side perspective view of a pressure regulator for a hose embodying my design;
 FIG. 2 is a rear, left side top perspective view of the pressure regulator of FIG. 1;
 FIG. 3 is a front elevational view thereof, the rear elevational view being a mirror image thereof;
 FIG. 4 is a right side elevational view thereof, the left side elevational view being a mirror image thereof;
 FIG. 5 is a top plan view thereof;
 FIG. 6 is a bottom plan view thereof;
 FIG. 7 is a partial cross-sectional view as shown from the top; and,
 FIG. 8 is a perspective view as seen from the bottom thereof. (The x's representing knurled areas).

1 Claim, 2 Drawing Sheets



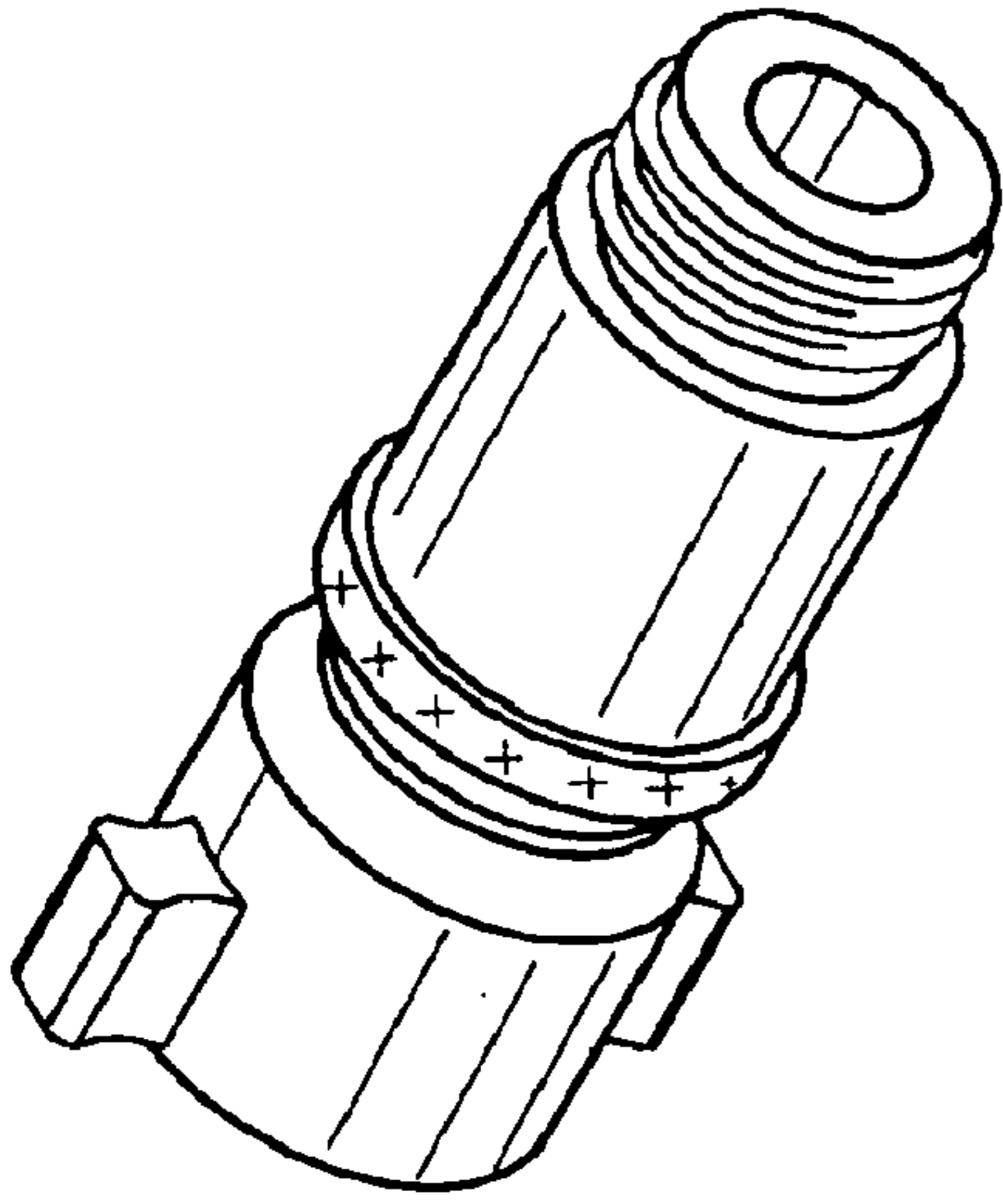


FIG. 1

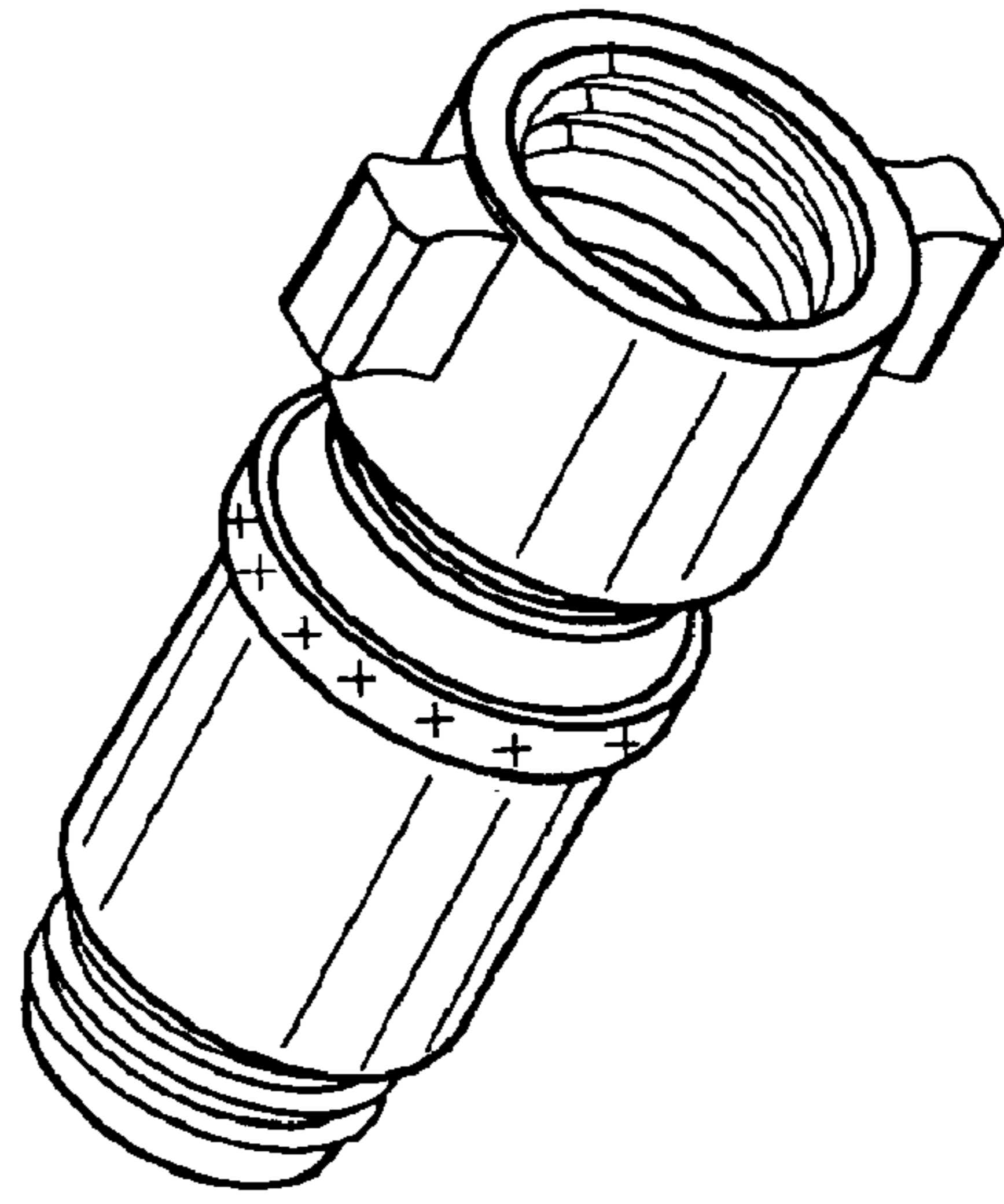


FIG. 2

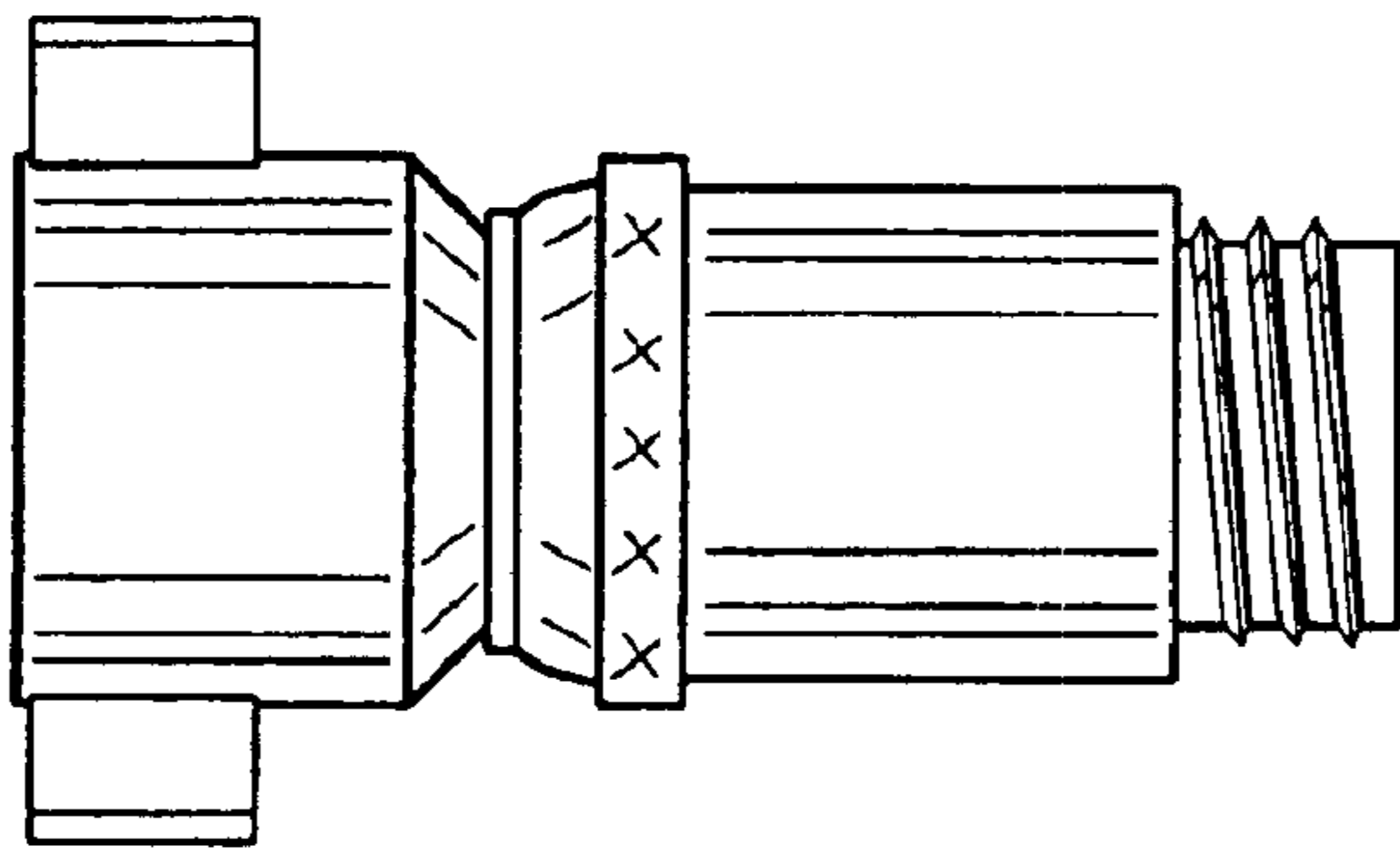


FIG. 3

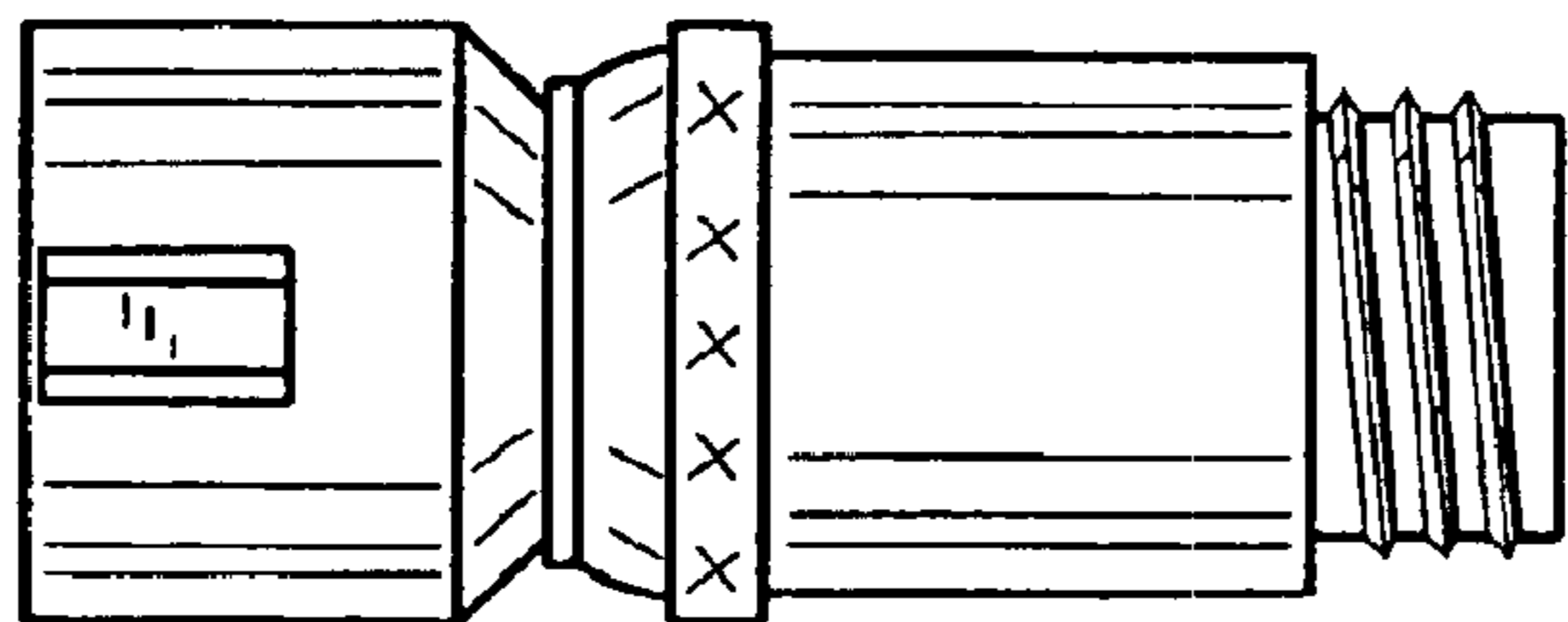


FIG. 4

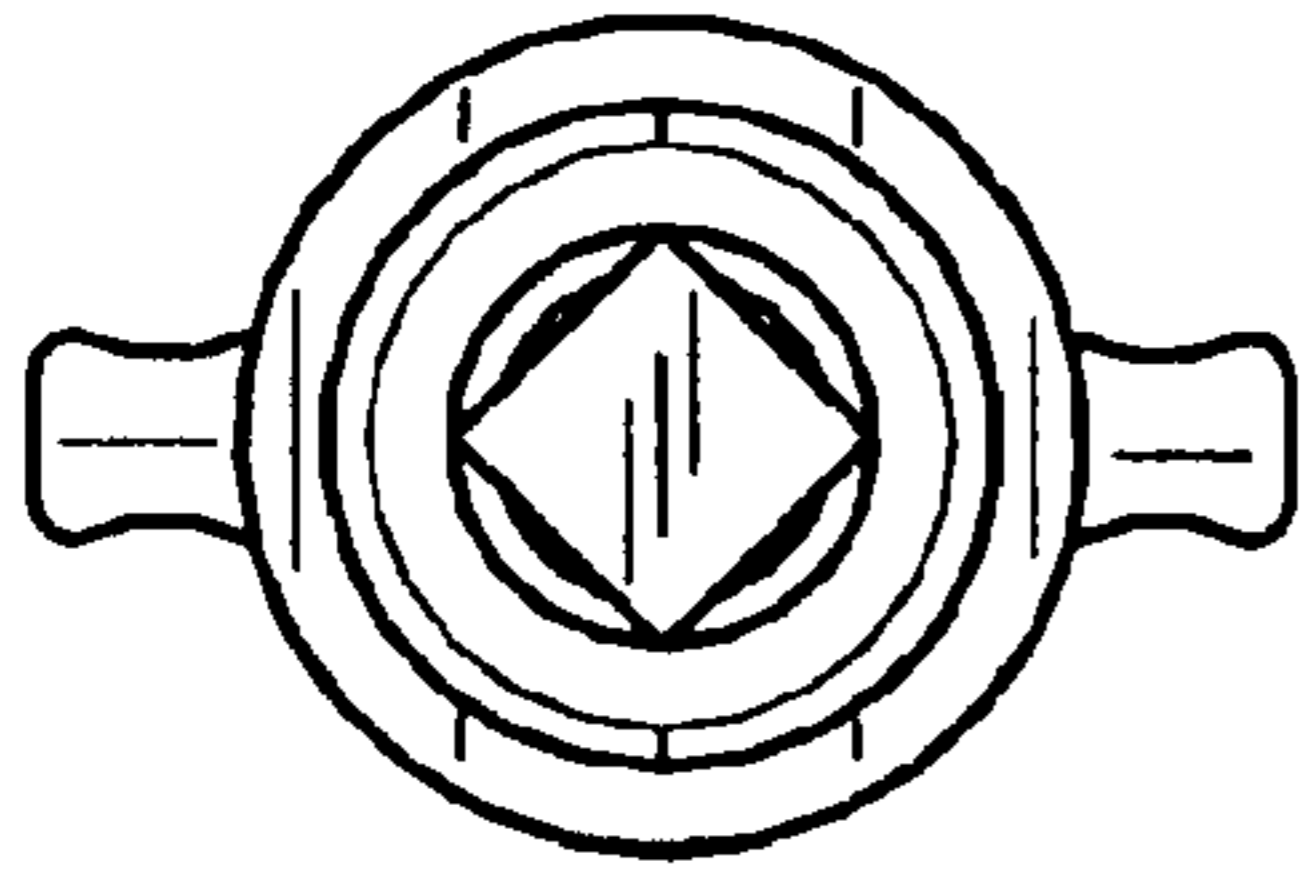


FIG. 5

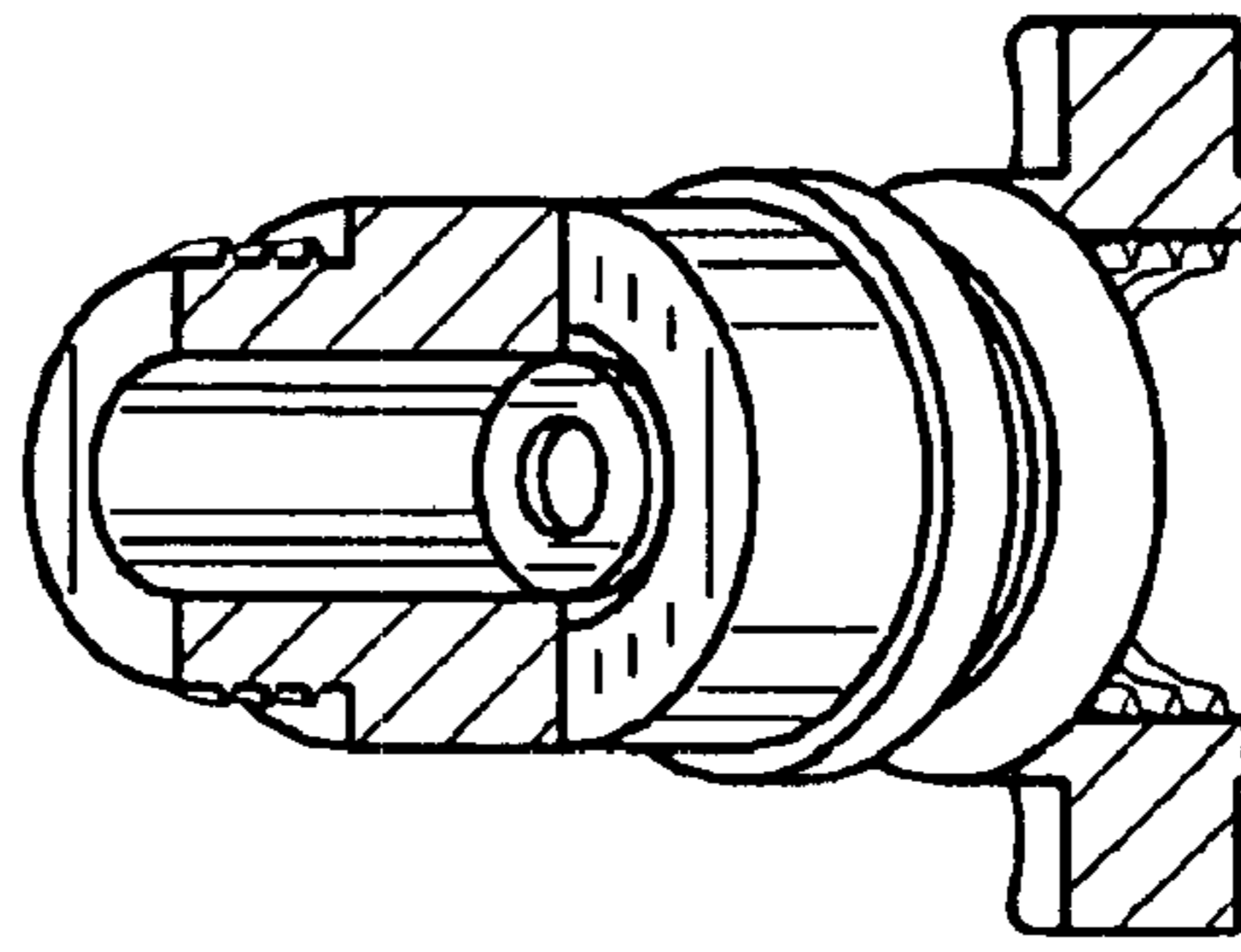


FIG. 8

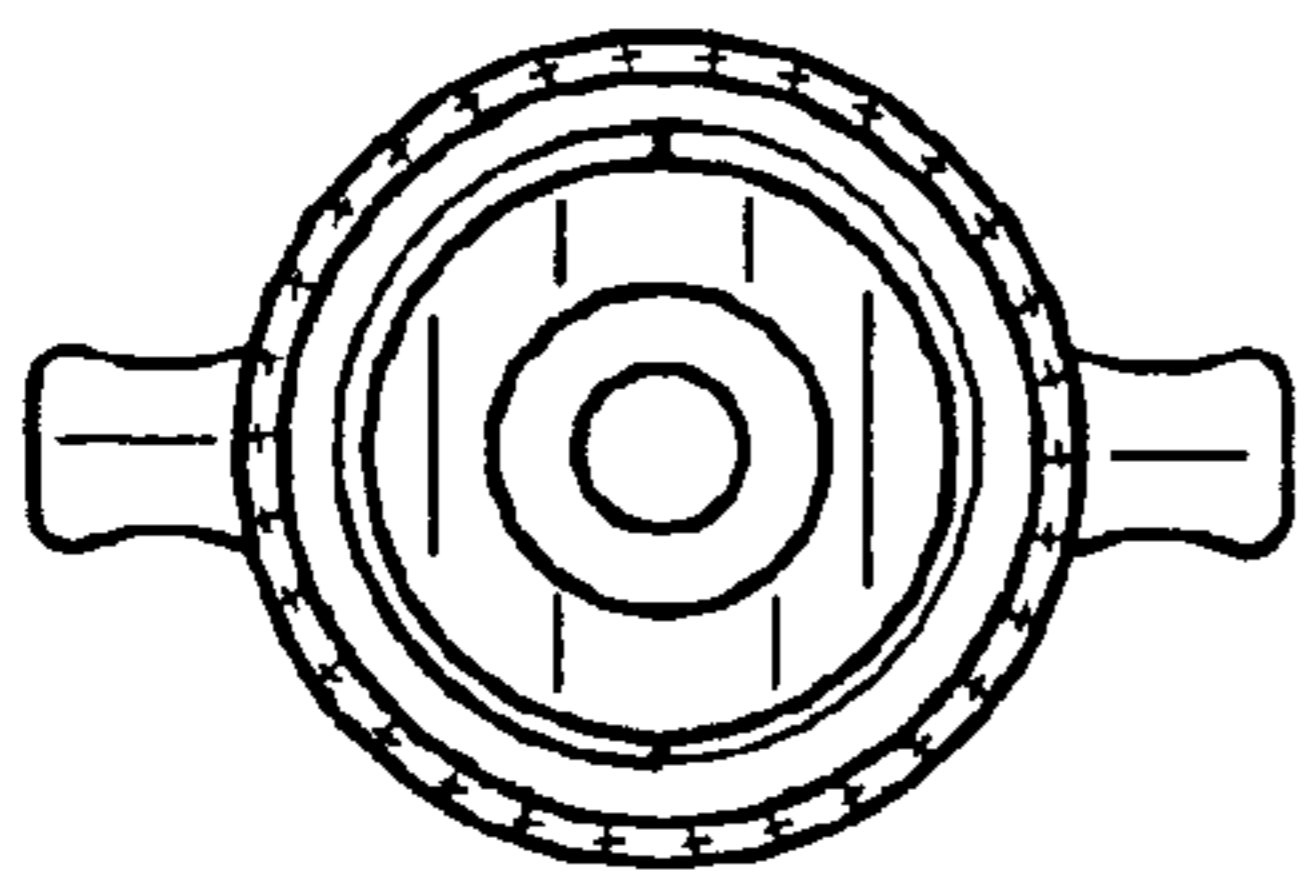


FIG. 6

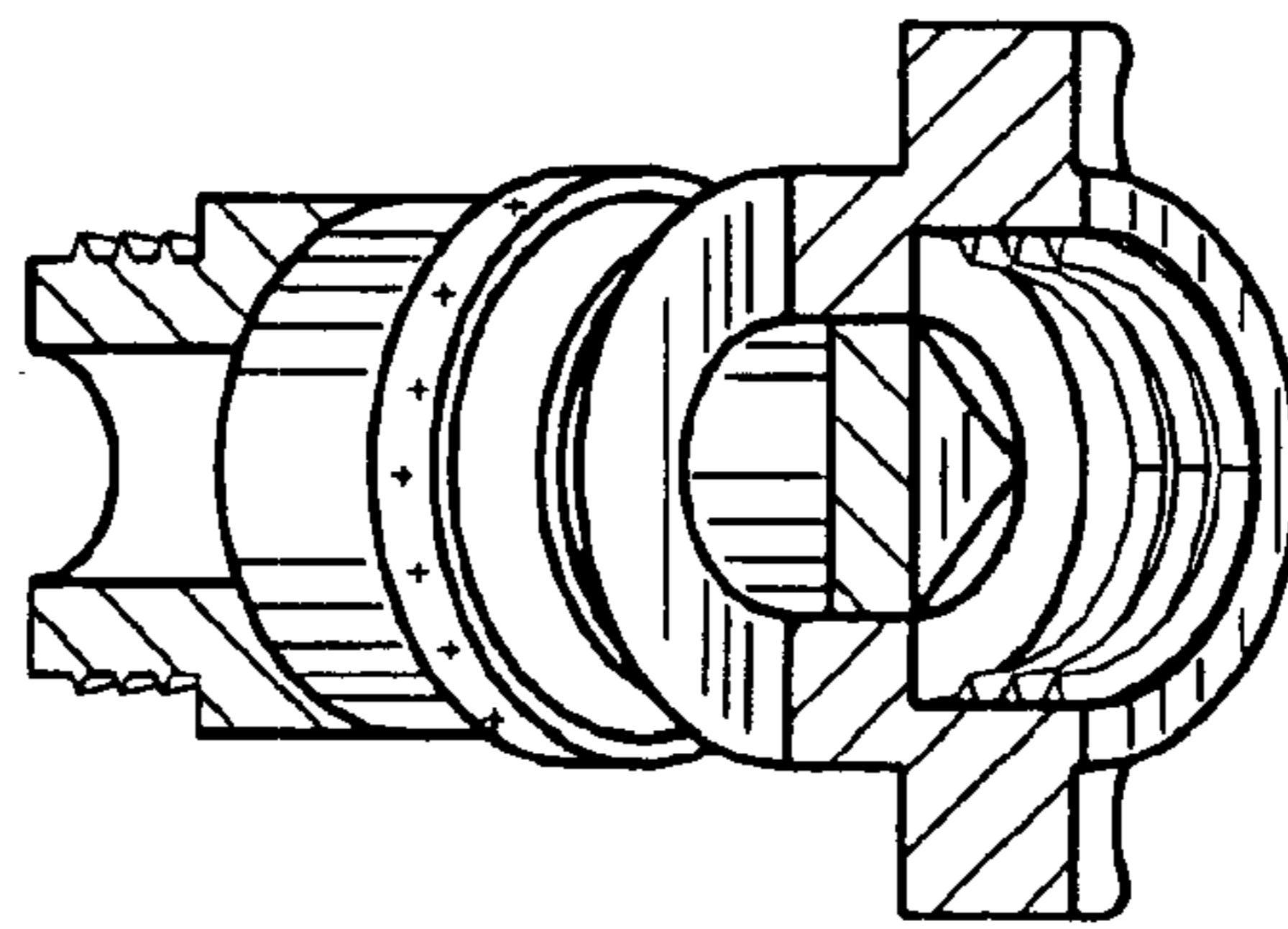


FIG. 7