

US00D499462S

(12) **United States Design Patent** (10) **Patent No.:** **US D499,462 S**
Shular (45) **Date of Patent:** **** Dec. 7, 2004**

(54) **BUG BOBBER**

(76) Inventor: **Robert N. Shular**, 1031 Country Colonial St., Lot 54, Sevierville, TN (US) 37862

(**) Term: **14 Years**

(21) Appl. No.: **29/191,697**

(22) Filed: **Oct. 11, 2003**

(51) **LOC (7) Cl.** **22-05**

(52) **U.S. Cl.** **D22/146**

(58) **Field of Search** D22/146, 145, D22/144; 43/43.1, 44.9, 44.91, 43.14

(56) **References Cited**

U.S. PATENT DOCUMENTS

2,876,581 A *	3/1959	Schmidt	43/44.91
D222,456 S *	10/1971	Fay	D22/146
4,234,913 A *	11/1980	Ramme	D22/146
D442,256 S *	5/2001	Haney	D22/146
D453,950 S *	2/2002	Kurachi	D22/145
6,467,214 B1 *	10/2002	DeFrisco	43/43.14

* cited by examiner

Primary Examiner—Catherine R. Oliver

(74) *Attorney, Agent, or Firm*—M. Alex Brown, Esq., Patent Attorney

(57) **CLAIM**

The ornamental design for a bug bobber, as shown and described.

DESCRIPTION

FIG. 1 is a front elevational view of a bug bobber, showing my new design.

FIG. 2 is a rear elevational view thereof.

FIG. 3 is a right side elevational view thereof

FIG. 4 is a left side elevational view thereof.

FIG. 5 is a top plan view thereof.

FIG. 6 is a bottom plan view thereof.

FIG. 7 is a front elevational view, with environment.

FIG. 8 is a top plan view of another embodiment of the present design; FIG. 6 illustrating a bottom plan view thereof, and, therefore, of each of the embodiments of the present design set forth herein.

FIG. 9 is a front elevational view of the design embodiment of FIG. 8 of the present ornamental design, the rear elevational view being a mirror image of the front elevational view; and,

FIG. 10 is a cross-sectional view taken along line 10—10 of FIG. 5, for clarity, showing more clearly visual design elements of the present ornamental design illustrated in FIGS. 1 through 9.

FIGS. 7, 8 and 9 show the bug bobber of the present ornamental design in full lines; with a fishing rod, fishing line, fishing hook, fishing, weighted or balance members, and attracting bait, viewable through the bottom portion of the present ornamental design, in the representative exemplar form of bug or insects, each, respectively, shown in broken lines representing environmental association matter being for illustrative purposes only and forming no part of the claimed invention.

FIGS. 1–5 and 7 disclose solid cross hatching shading on the top half of the bobber, being illustrative of opaque coloring.

1 Claim, 3 Drawing Sheets

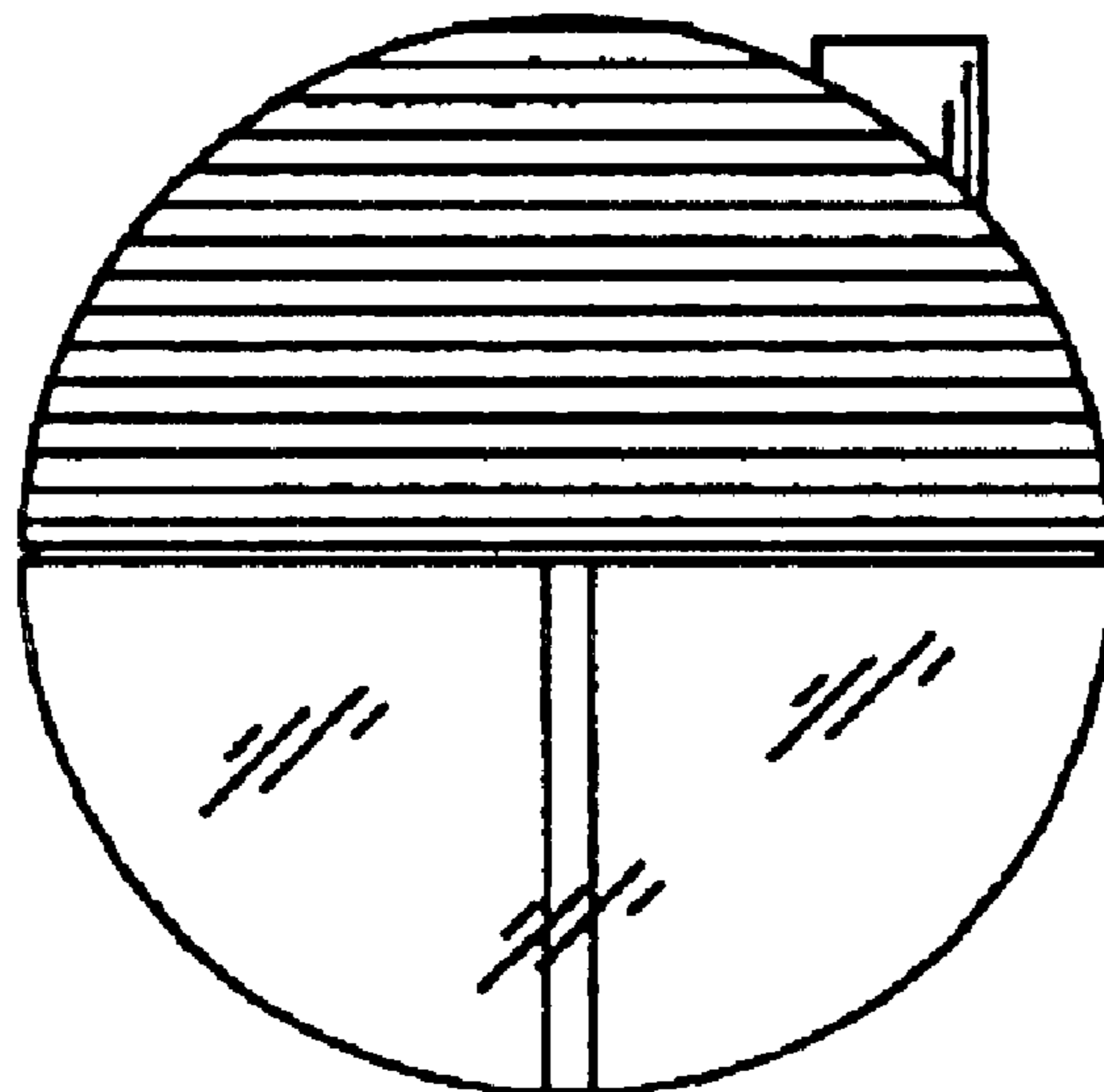


FIG. 1

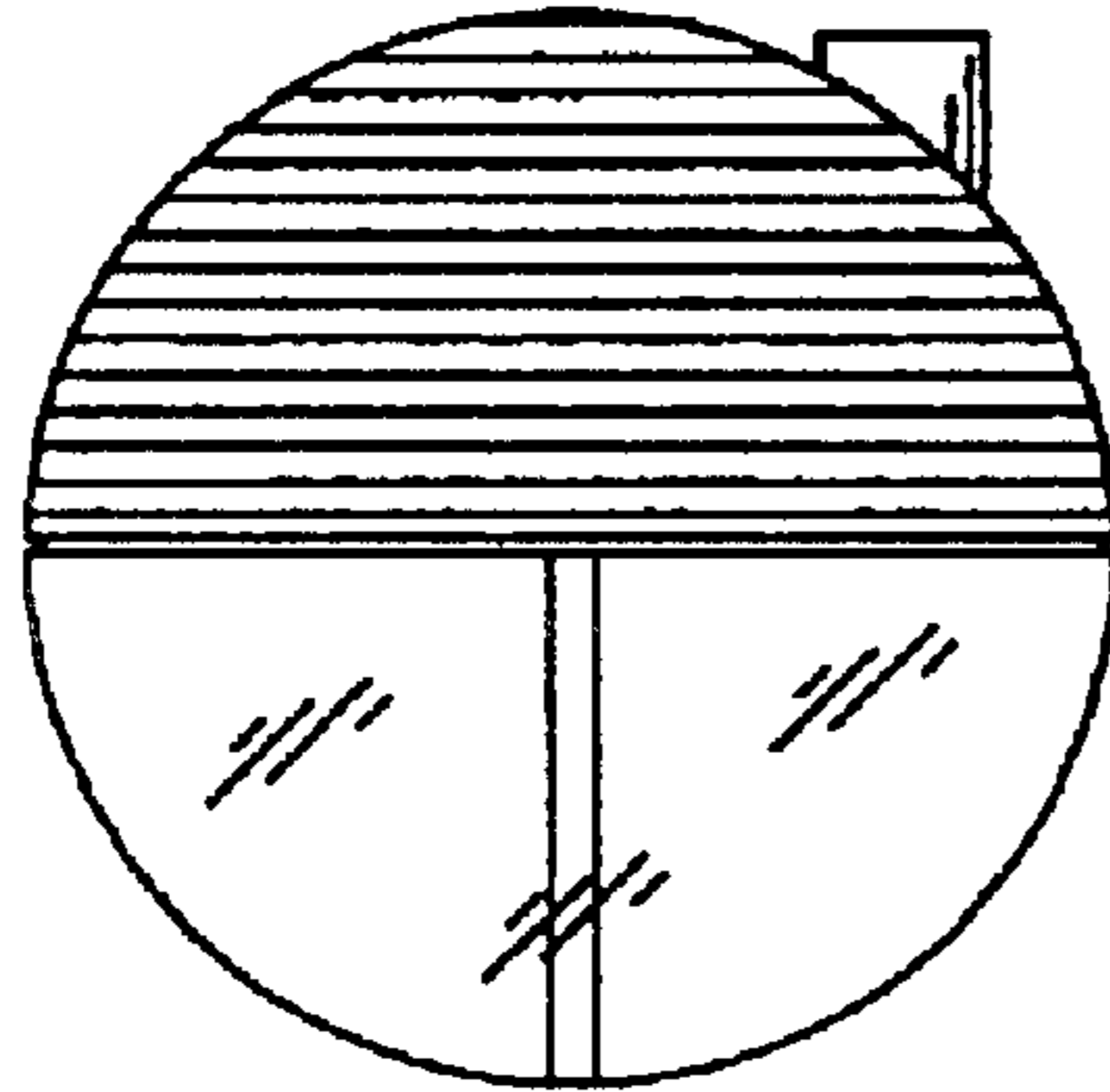


FIG. 2

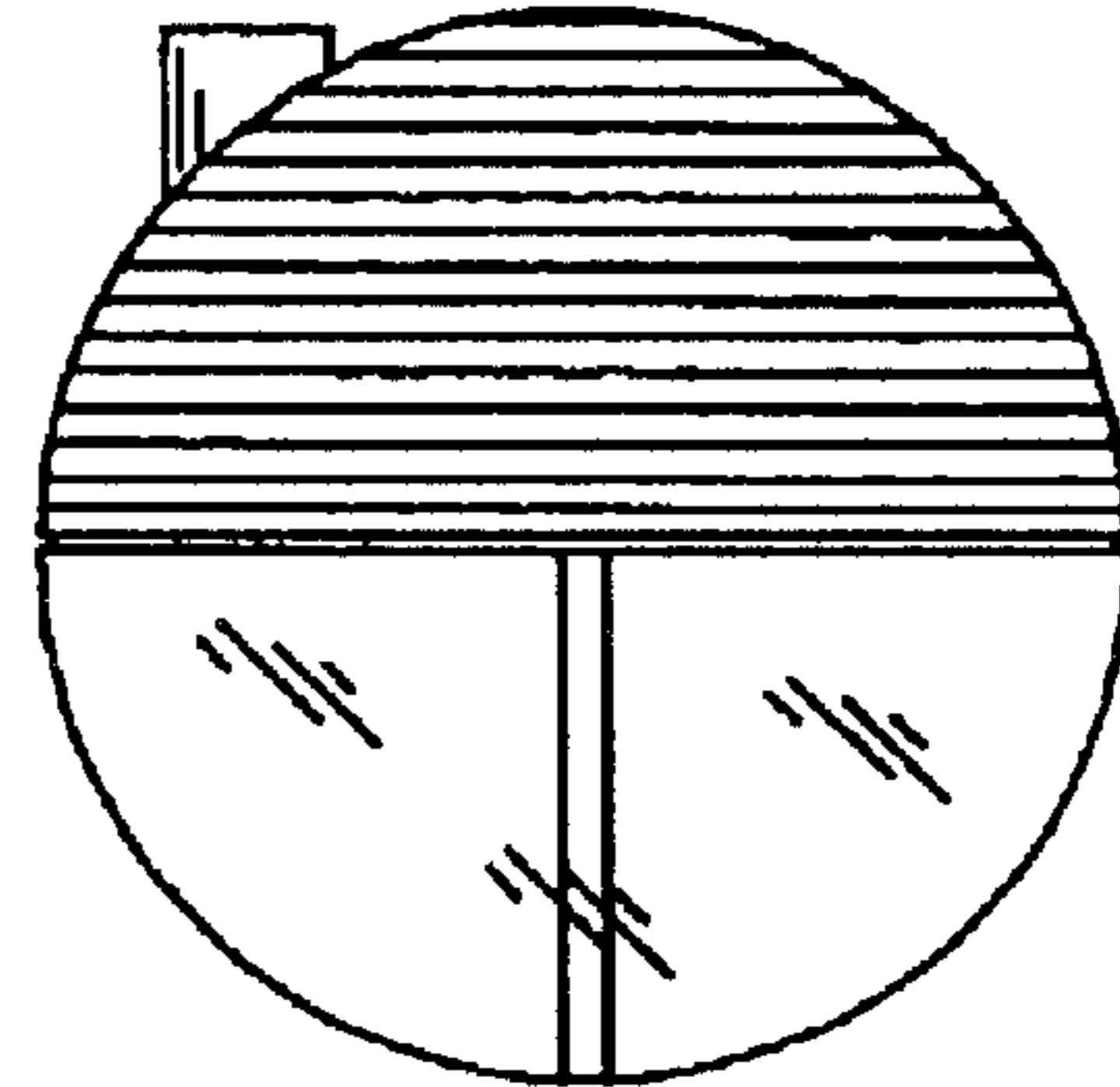


FIG. 3

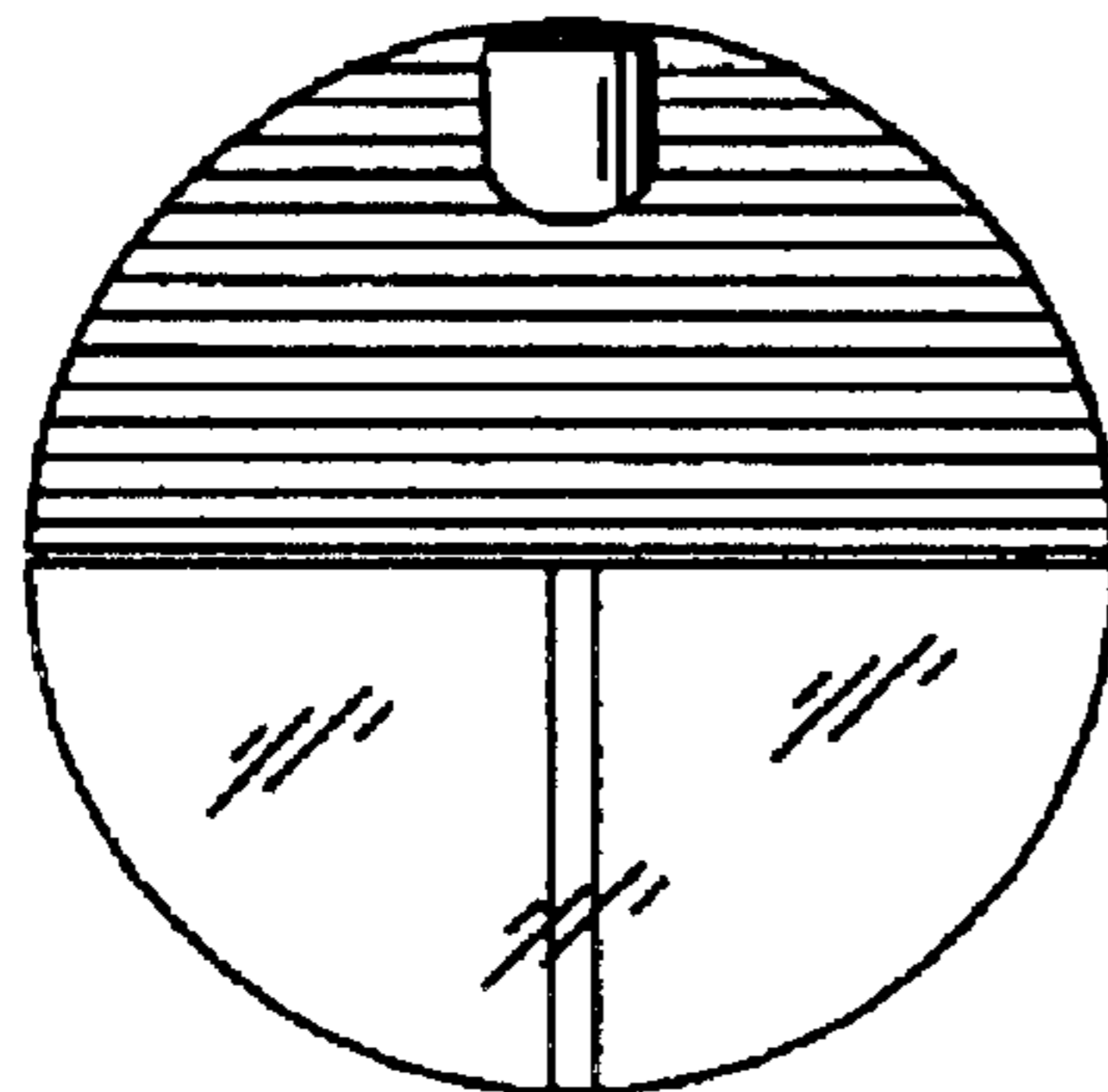


FIG. 4

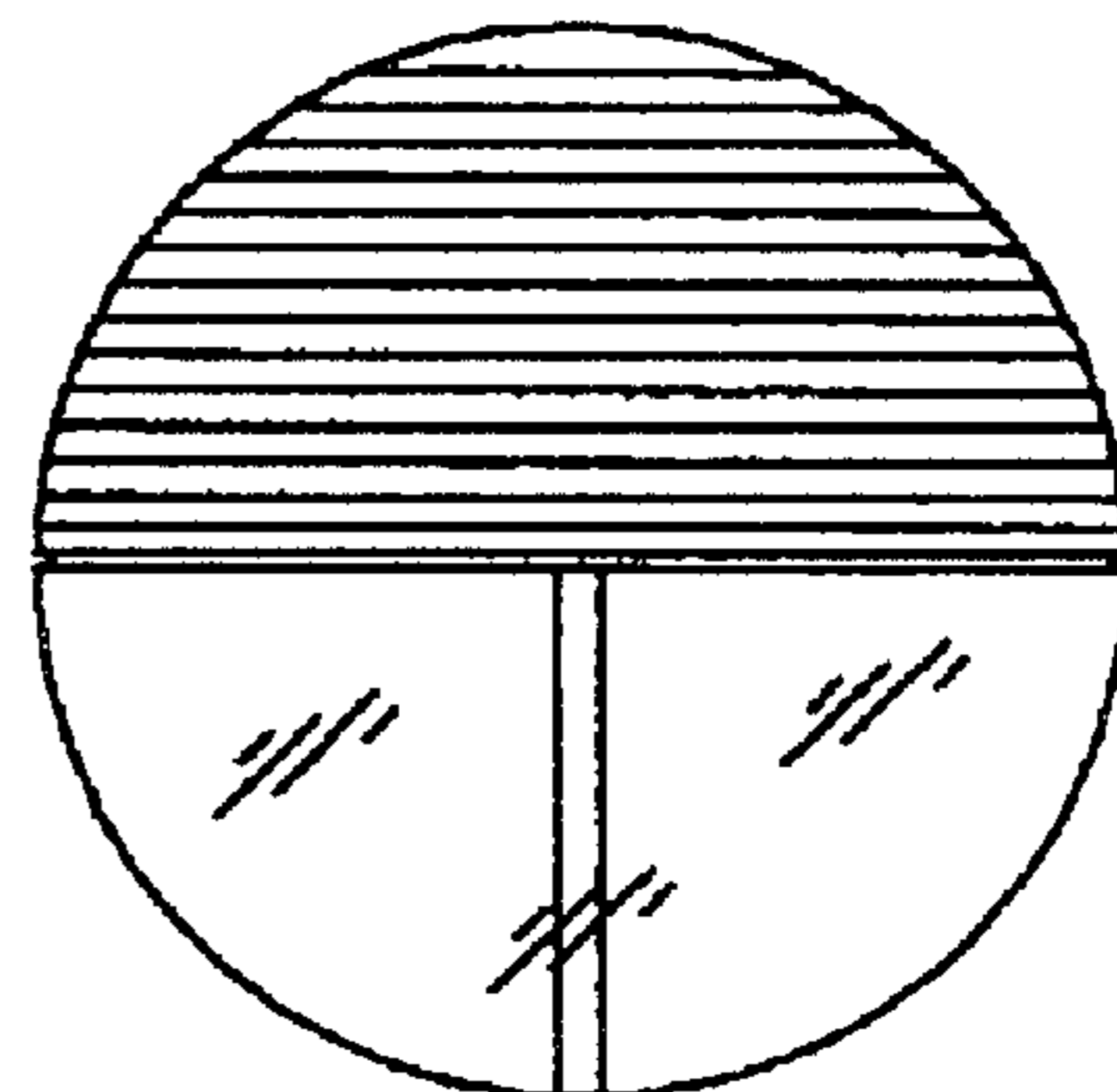


FIG. 5

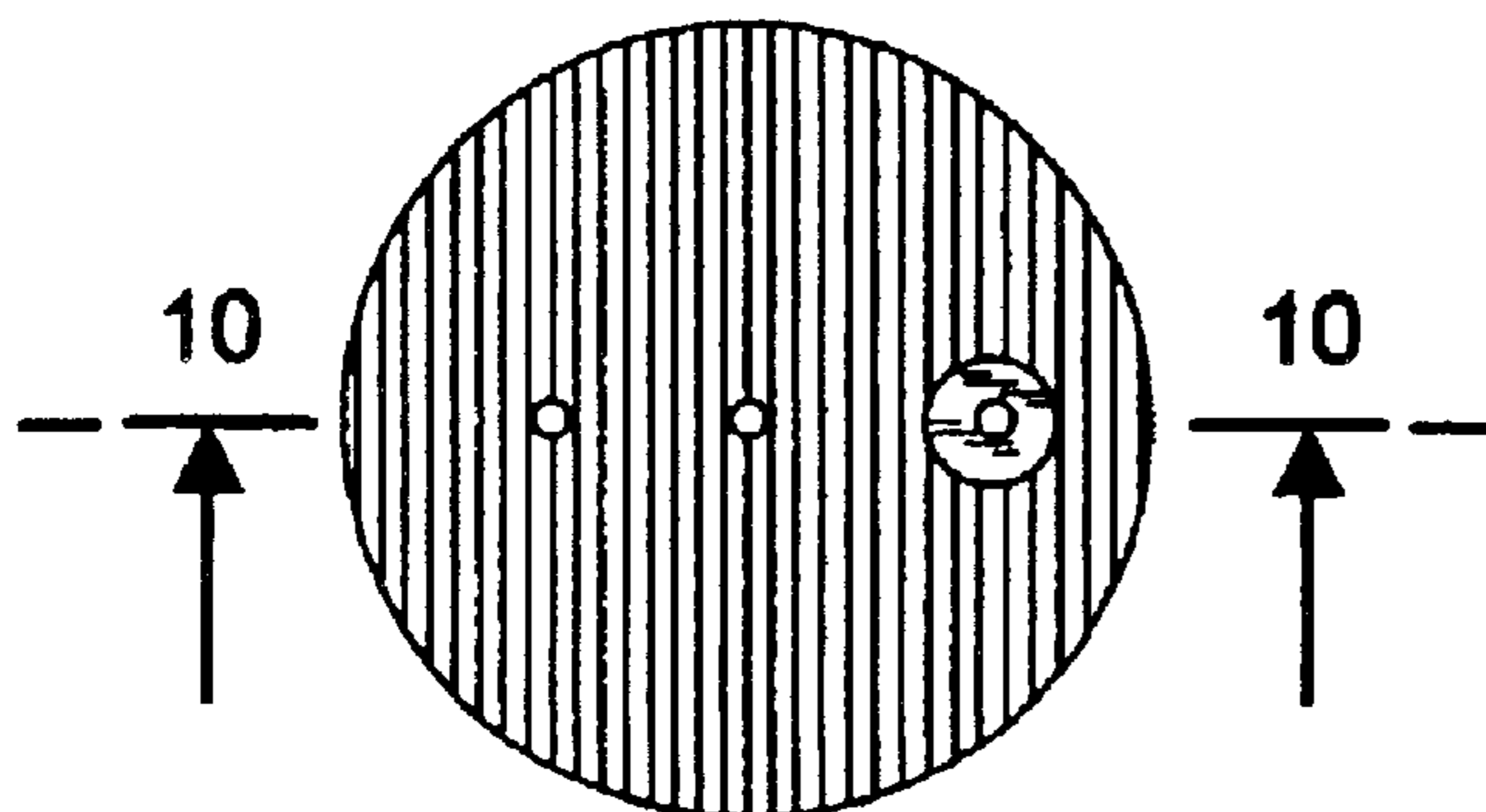
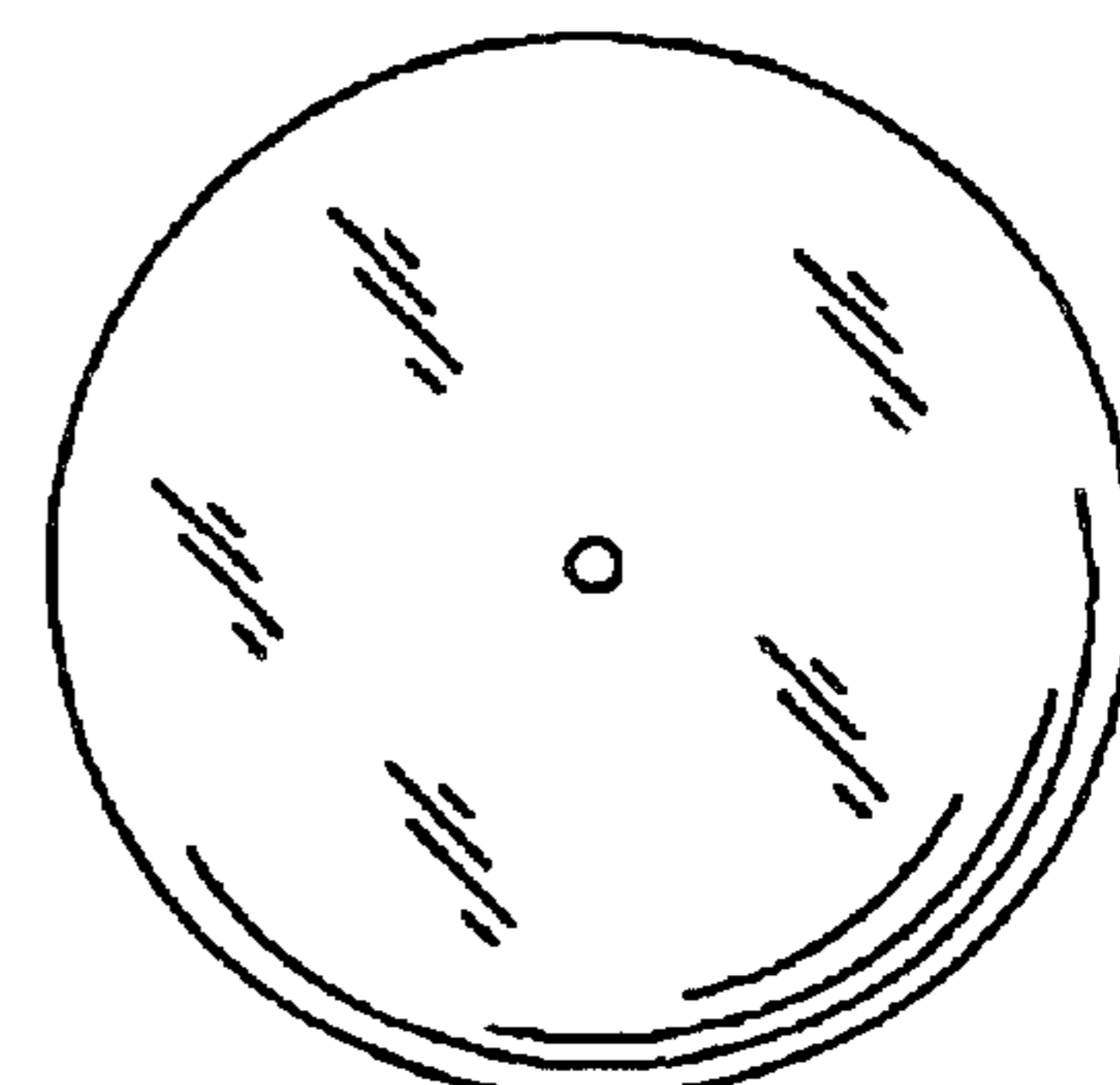


FIG. 6



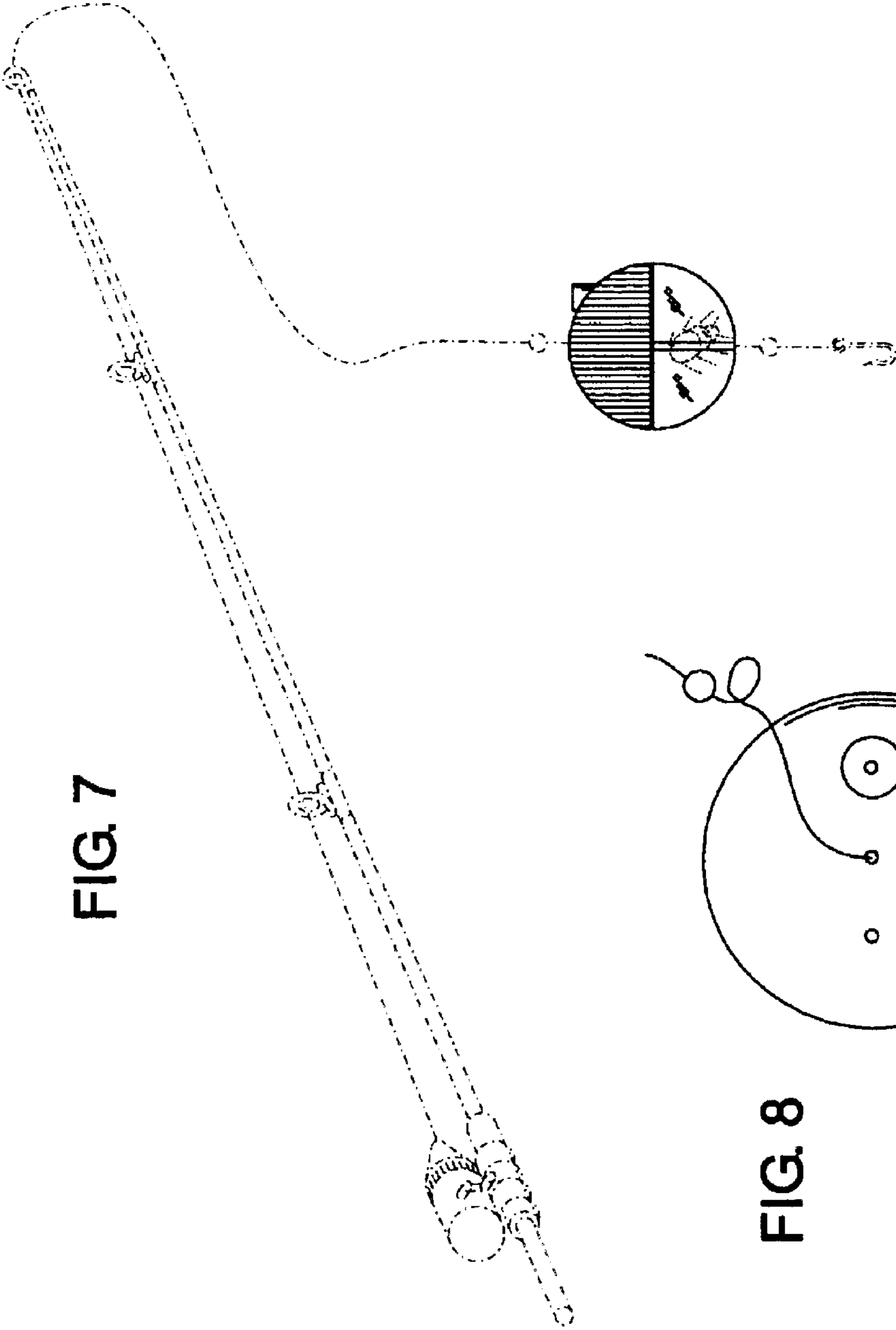


FIG. 7

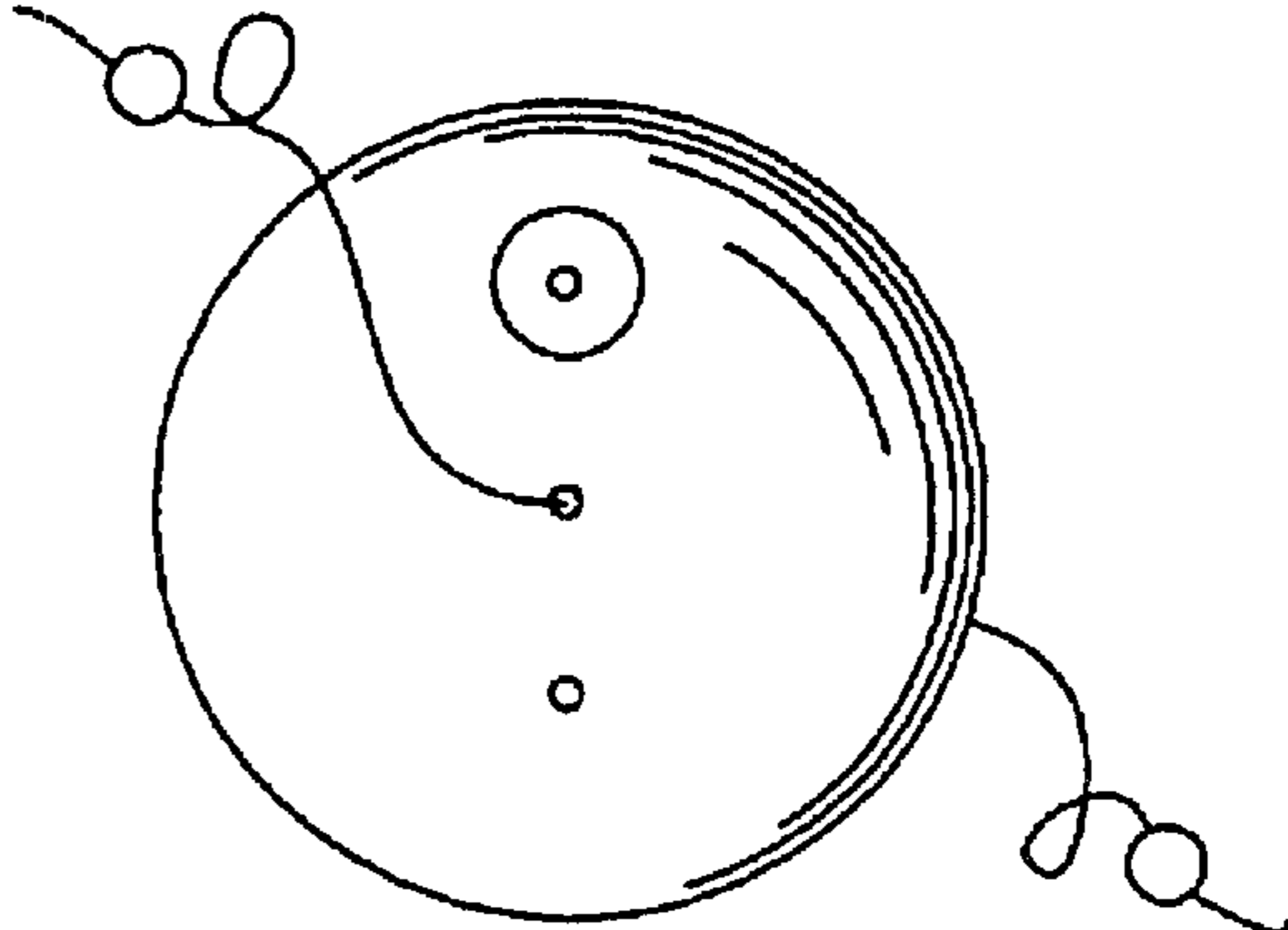


FIG. 8

FIG. 10

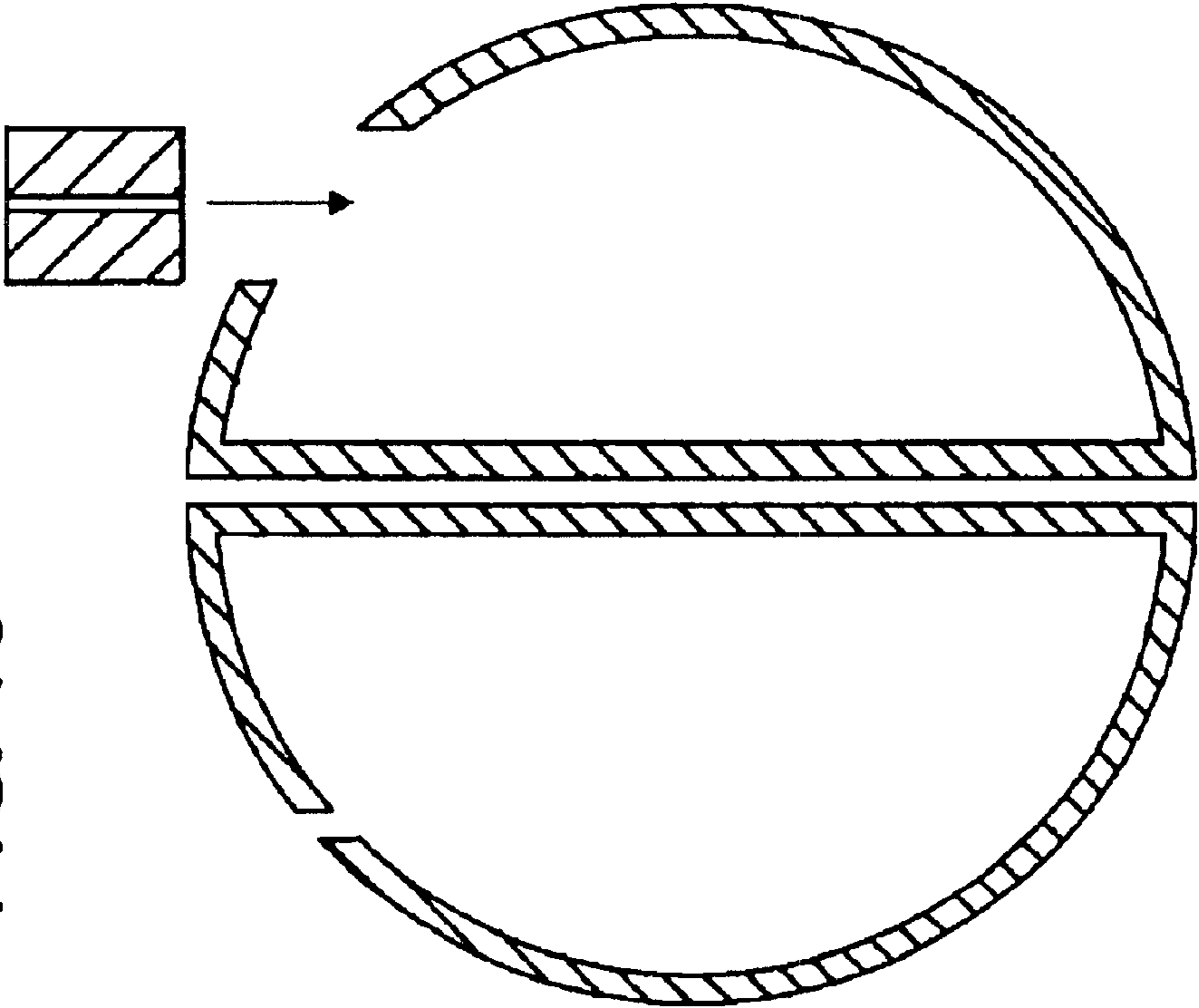


FIG. 9

