



US00D499457S

(12) **United States Design Patent**  
**Kuo**

(10) **Patent No.:** **US D499,457 S**

(45) **Date of Patent:** **\*\* Dec. 7, 2004**

(54) **EXERCISER**

6,030,325 A \* 2/2000 Ottoson et al. .... 482/144  
6,149,560 A \* 11/2000 Kim ..... 482/145

(76) **Inventor:** **Johnson Kuo**, 5F., No. 6, Lane 12, Sec. 6, Hsin I Rd., Taipei (TW)

\* cited by examiner

(\*\*) **Term:** **14 Years**

*Primary Examiner*—Philip S. Hyder

(74) *Attorney, Agent, or Firm*—Troxell Law Office PLLC

(21) **Appl. No.:** **29/192,004**

(57) **CLAIM**

(22) **Filed:** **Oct. 20, 2003**

The ornamental design for an exerciser, as shown and described.

(51) **LOC (7) Cl.** ..... **21-02**

(52) **U.S. Cl.** ..... **D21/690**

(58) **Field of Search** ..... D21/662, 676,  
D21/686, 690; 482/142, 143, 144, 145,  
907, 908, 147

**DESCRIPTION**

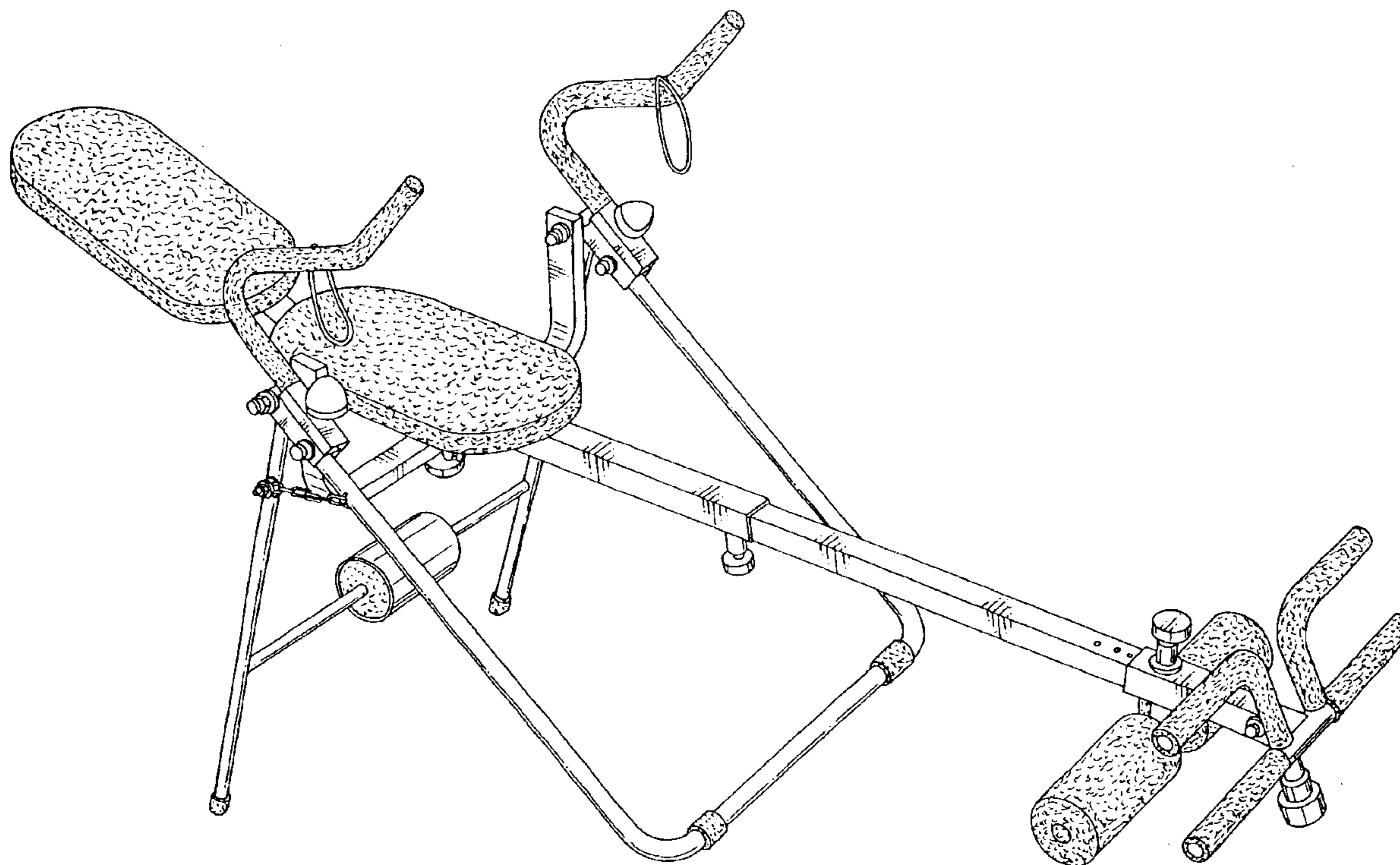
FIG. 1 is a perspective view of a exerciser showing my new design;  
FIG. 2 is a front elevational view thereof;  
FIG. 3 is a rear elevational view thereof;  
FIG. 4 is a top plan view thereof;  
FIG. 5 is a bottom plan view thereof;  
FIG. 6 is a left side elevational view thereof;  
FIG. 7 is a right side elevational view thereof;  
FIG. 8 is another perspective view thereof; and,  
FIG. 9 illustrates the design in folded position.

(56) **References Cited**

**U.S. PATENT DOCUMENTS**

4,502,682 A	*	3/1985	Miller	.....	482/144
4,534,554 A	*	8/1985	Miller	.....	482/144
5,551,937 A	*	9/1996	Kwo	.....	482/144
5,718,660 A	*	2/1998	Chen	.....	482/144
D392,702 S	*	3/1998	Sands et al.	.....	D21/676
D396,509 S	*	7/1998	Sands et al.	.....	D21/671

**1 Claim, 9 Drawing Sheets**



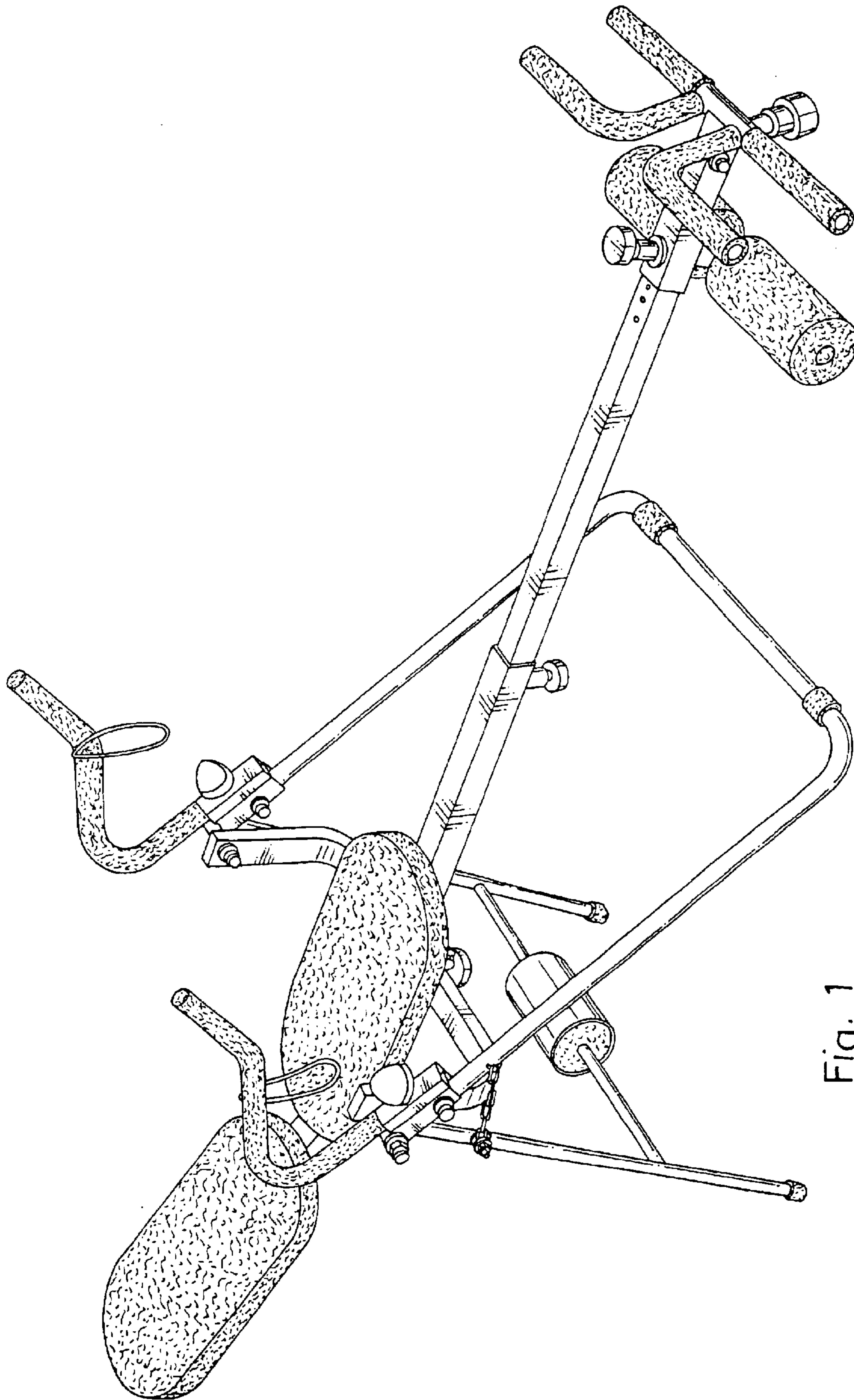


Fig. 1

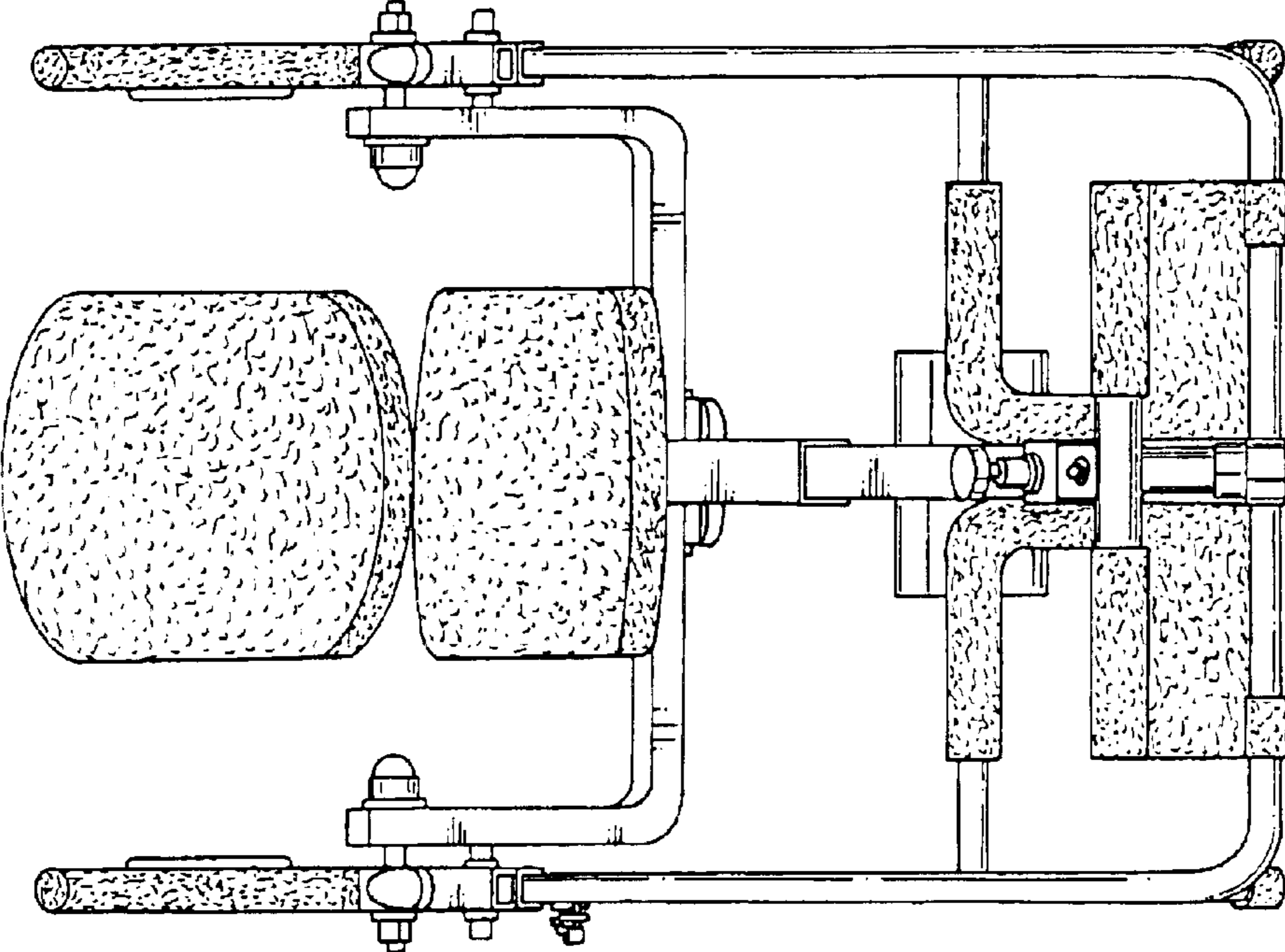


Fig. 2

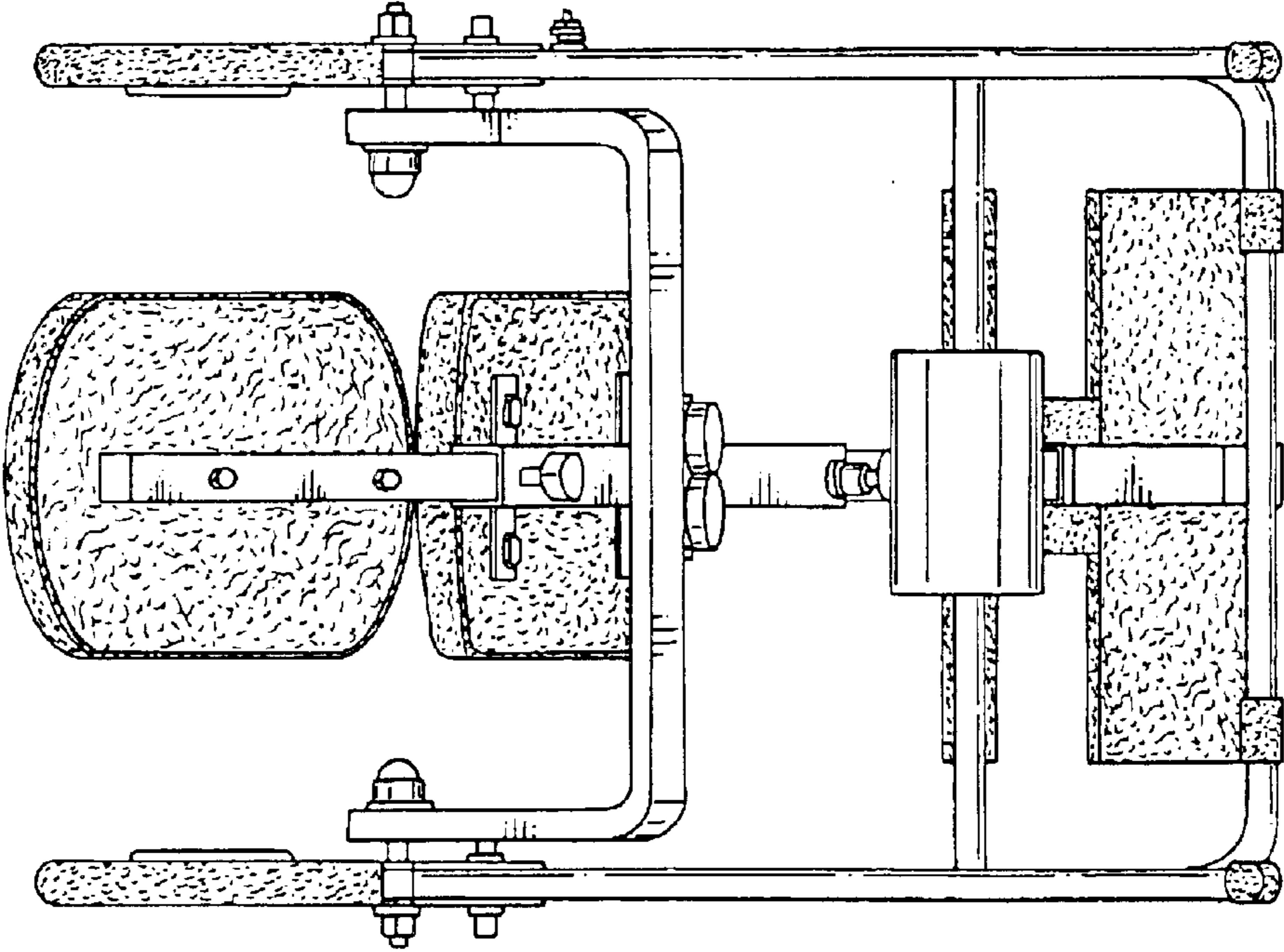


Fig. 3

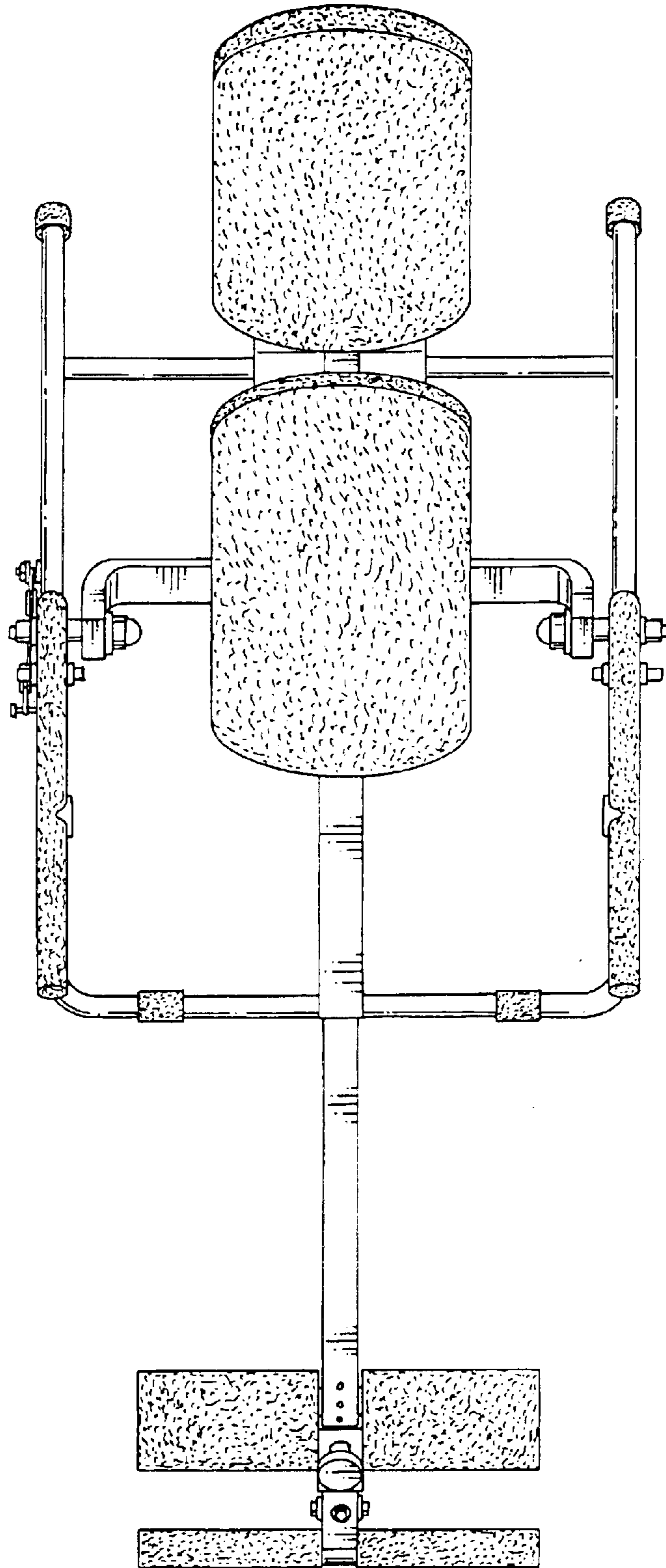


Fig. 4

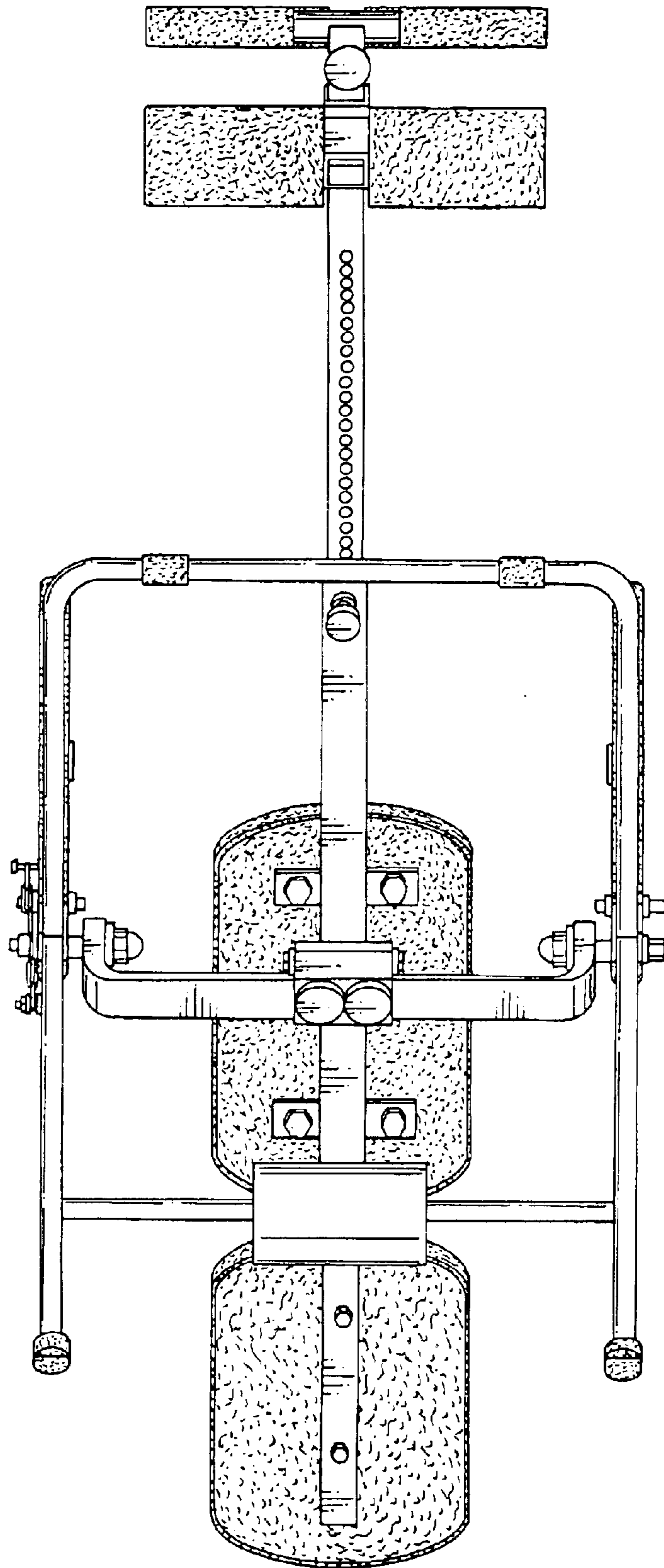


Fig. 5

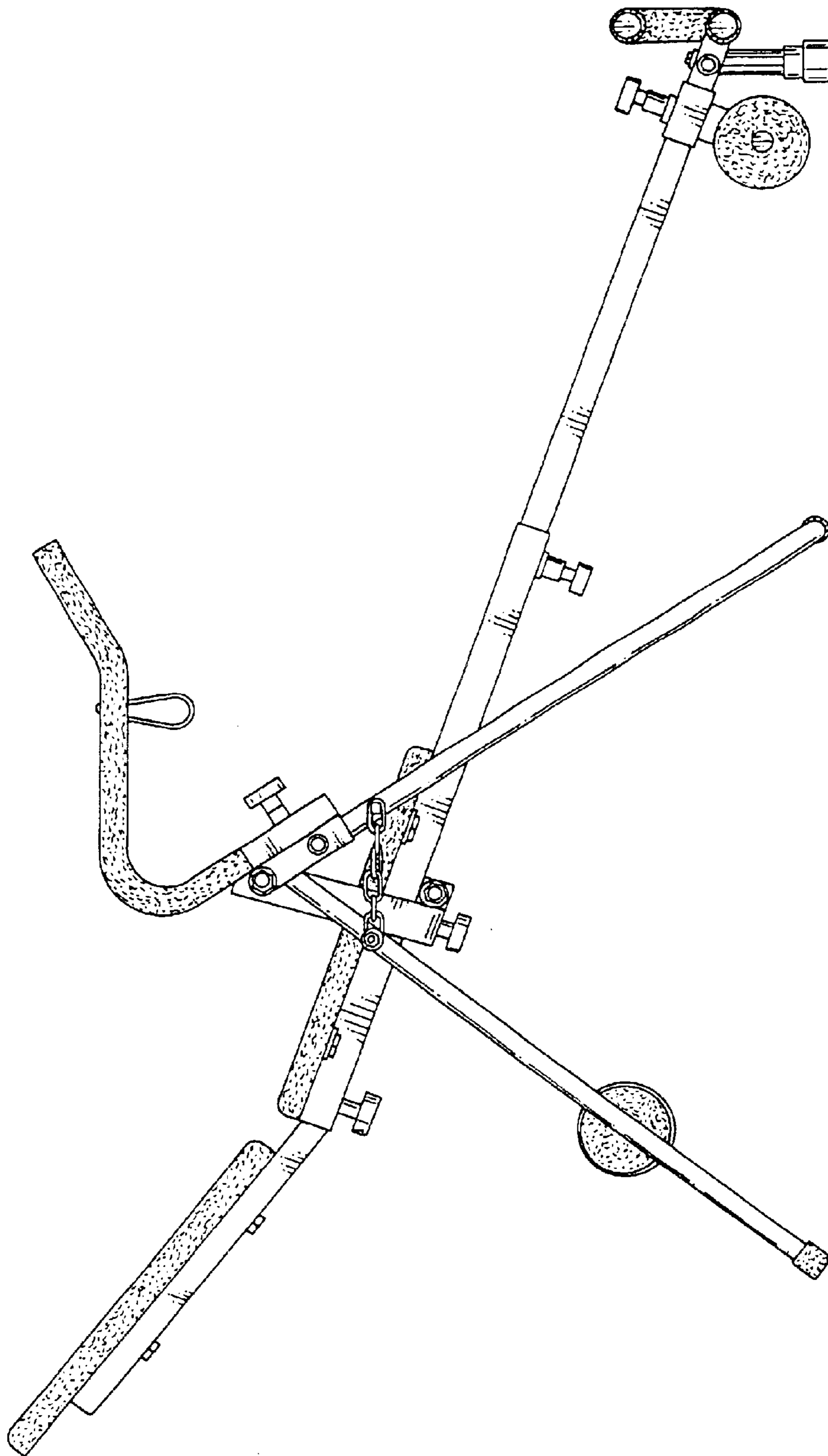


Fig. 6

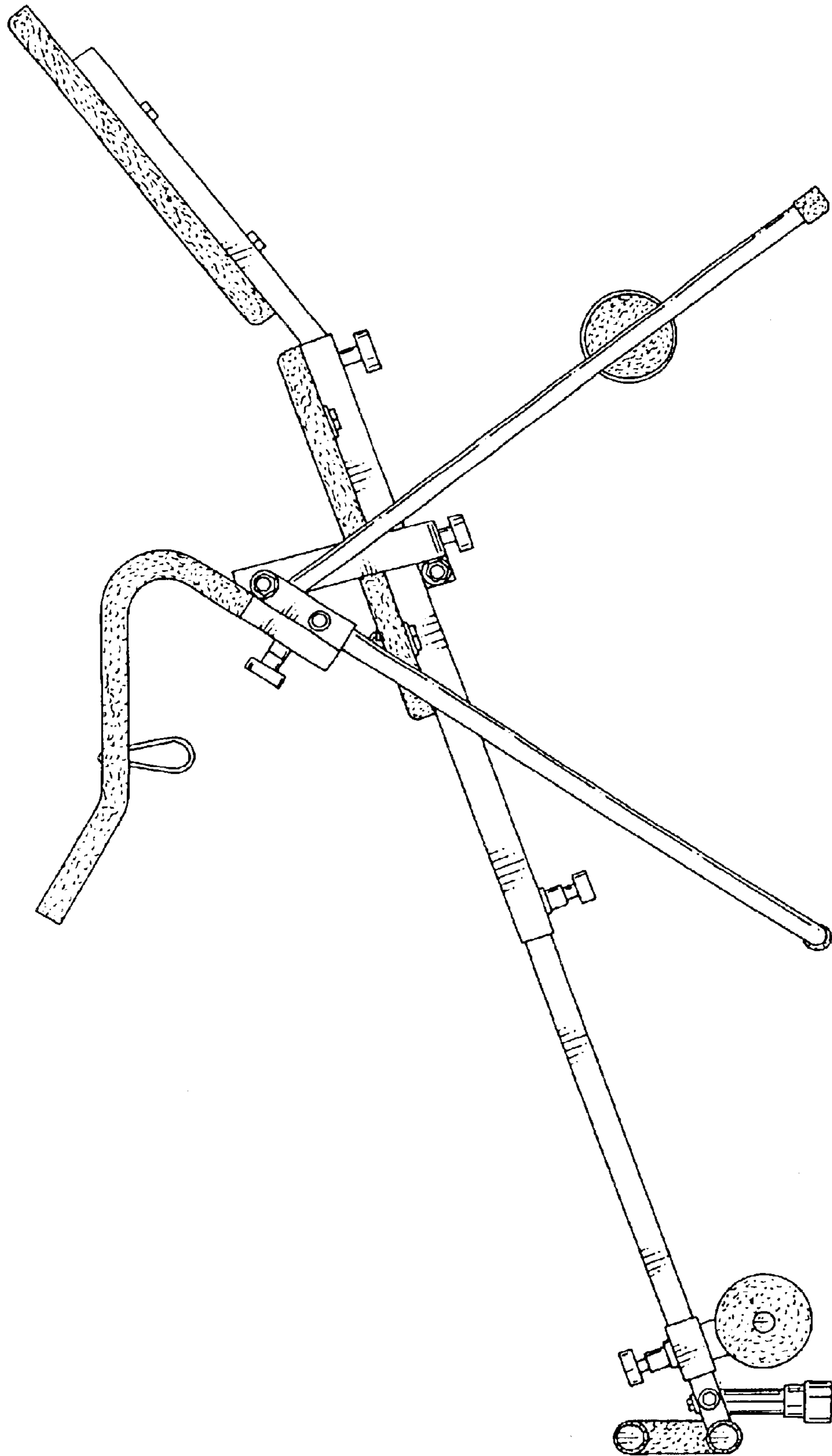


Fig. 7



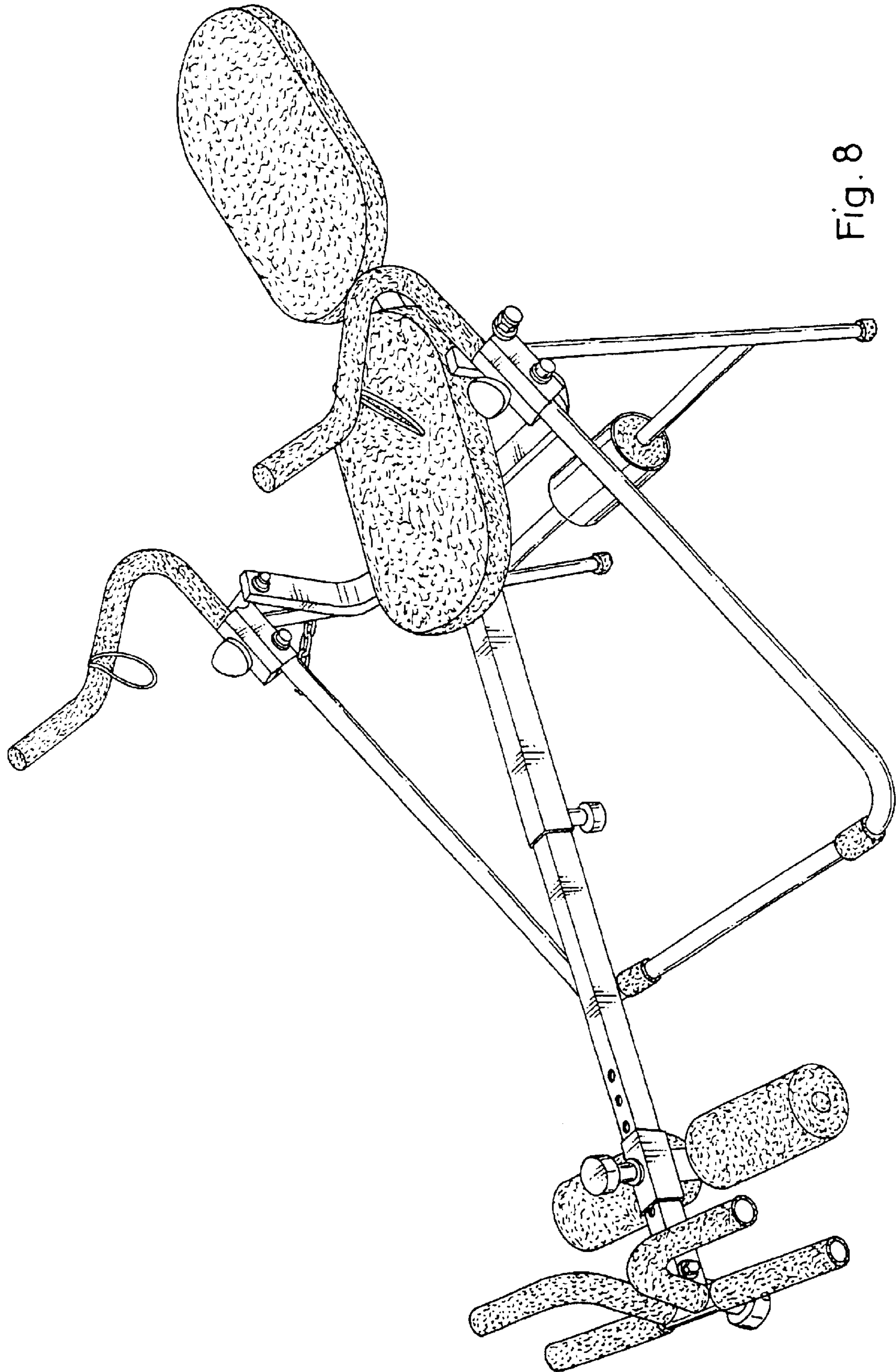


Fig. 8

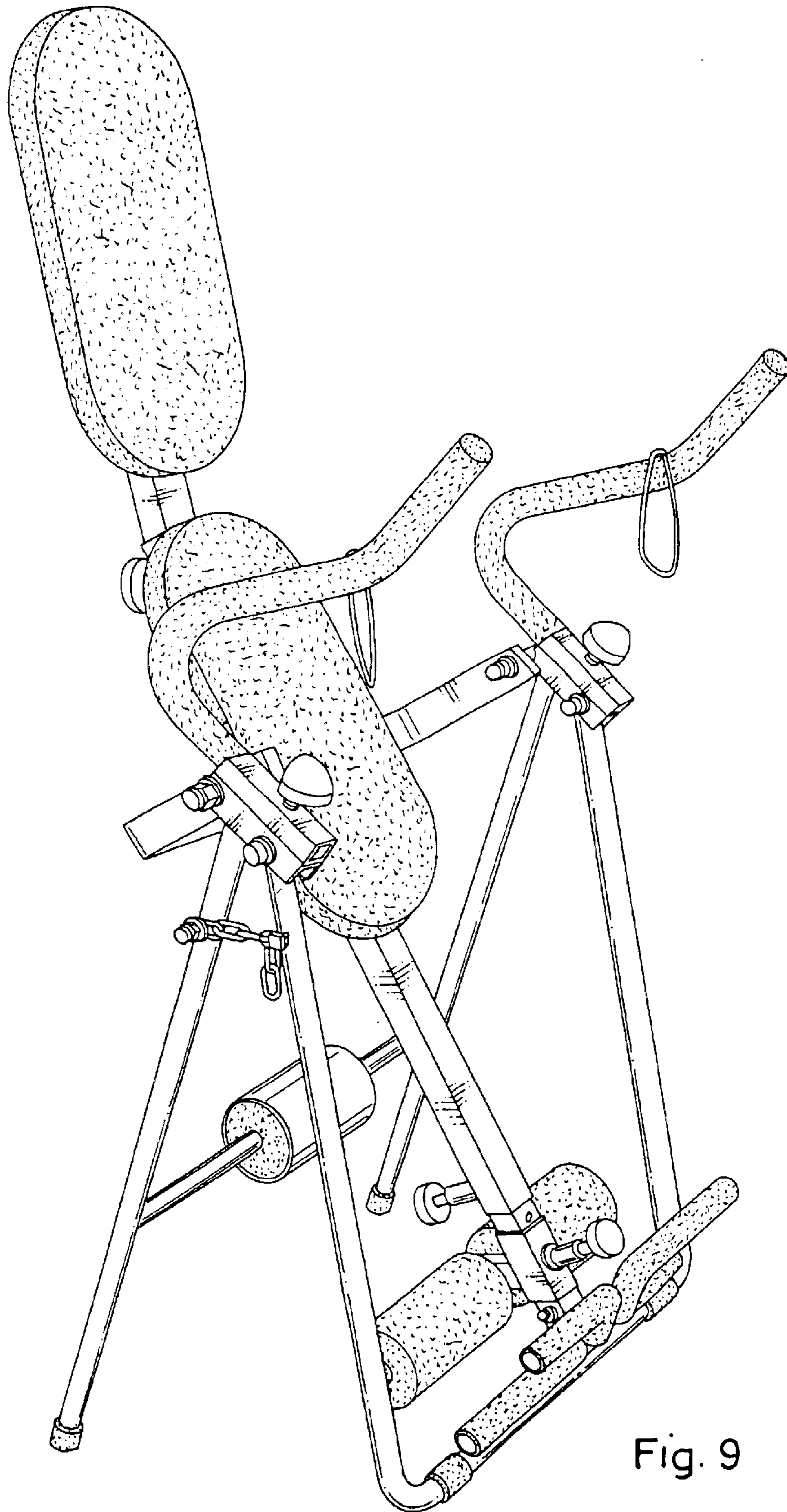


Fig. 9