



US00D499456S

(12) **United States Design Patent**
Hsu

(10) **Patent No.:** **US D499,456 S**

(45) **Date of Patent:** **** Dec. 7, 2004**

(54) **EXERCISER**

(76) **Inventor:** **Kuan-Yung Hsu**, No. 38, Huiwen 3 St.,
Hsitun Dist., Taichung (TW)

(**) **Term:** **14 Years**

(21) **Appl. No.:** **29/194,493**

(22) **Filed:** **Nov. 26, 2003**

(51) **LOC (7) Cl.** **21-02**

(52) **U.S. Cl.** **D21/668**

(58) **Field of Search** D21/662, 668,
D21/669, 670, 671, 688; 482/51, 52, 71,
79, 80, 147

(56) **References Cited**

U.S. PATENT DOCUMENTS

4,694,684	A	*	9/1987	Campbell, III	73/65.07
5,263,910	A	*	11/1993	Yang	482/52
5,298,002	A	*	3/1994	Lin	482/53
5,330,399	A	*	7/1994	Fan	482/34
5,348,520	A	*	9/1994	Chang	482/52
5,765,921	A	*	6/1998	Chuang	297/423.46

D456,052	S	*	4/2002	Steves	D21/670
D465,001	S	*	10/2002	Chiang-Chow	D21/670
D466,567	S	*	12/2002	Chen et al.	D21/670
D481,085	S	*	10/2003	Ben-Moshe	D21/670

* cited by examiner

Primary Examiner—Philip S. Hyder

(74) *Attorney, Agent, or Firm*—Dennison, Schultz,
Dougherty & MacDonald

(57) **CLAIM**

The ornamental design for an exerciser, as shown.

DESCRIPTION

FIG. 1 is a perspective view of an exerciser, showing my new design;

FIG. 2 is a front elevational view thereof;

FIG. 3 is a rear elevational view thereof;

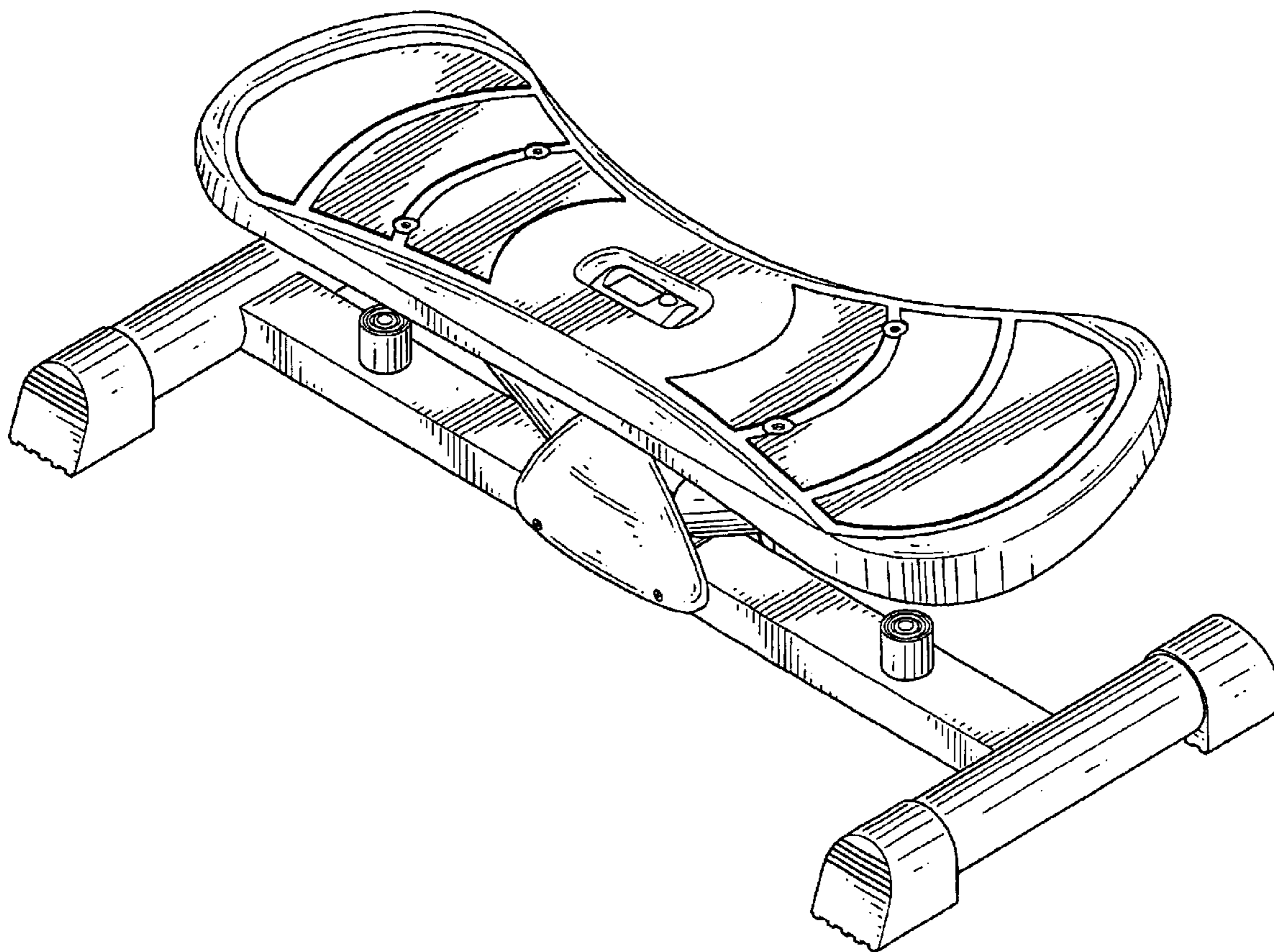
FIG. 4 is a left side elevational view thereof;

FIG. 5 is a right side elevational view thereof;

FIG. 6 is a top plan view thereof; and,

FIG. 7 is a bottom plan view thereof.

1 Claim, 6 Drawing Sheets



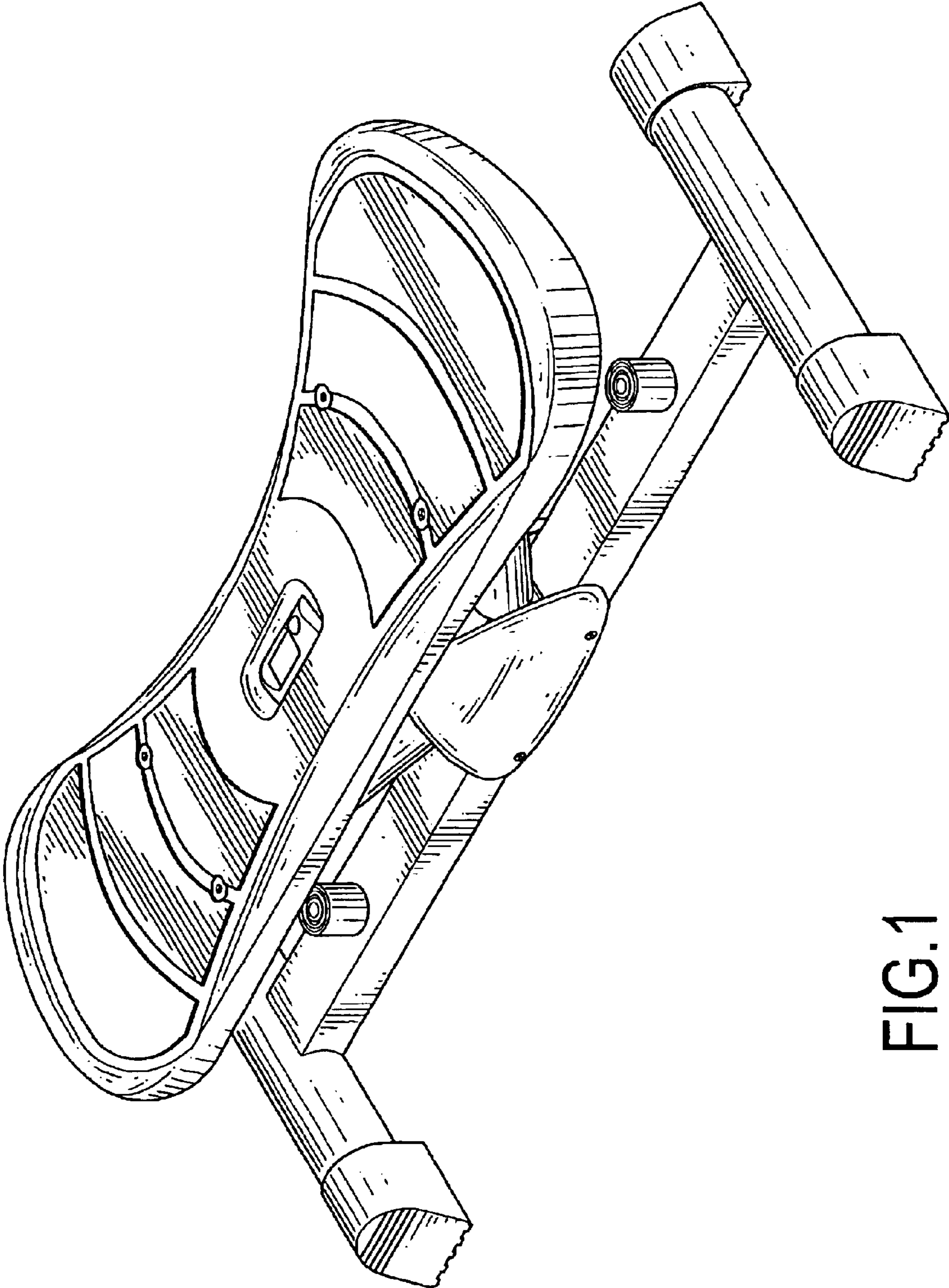


FIG.1

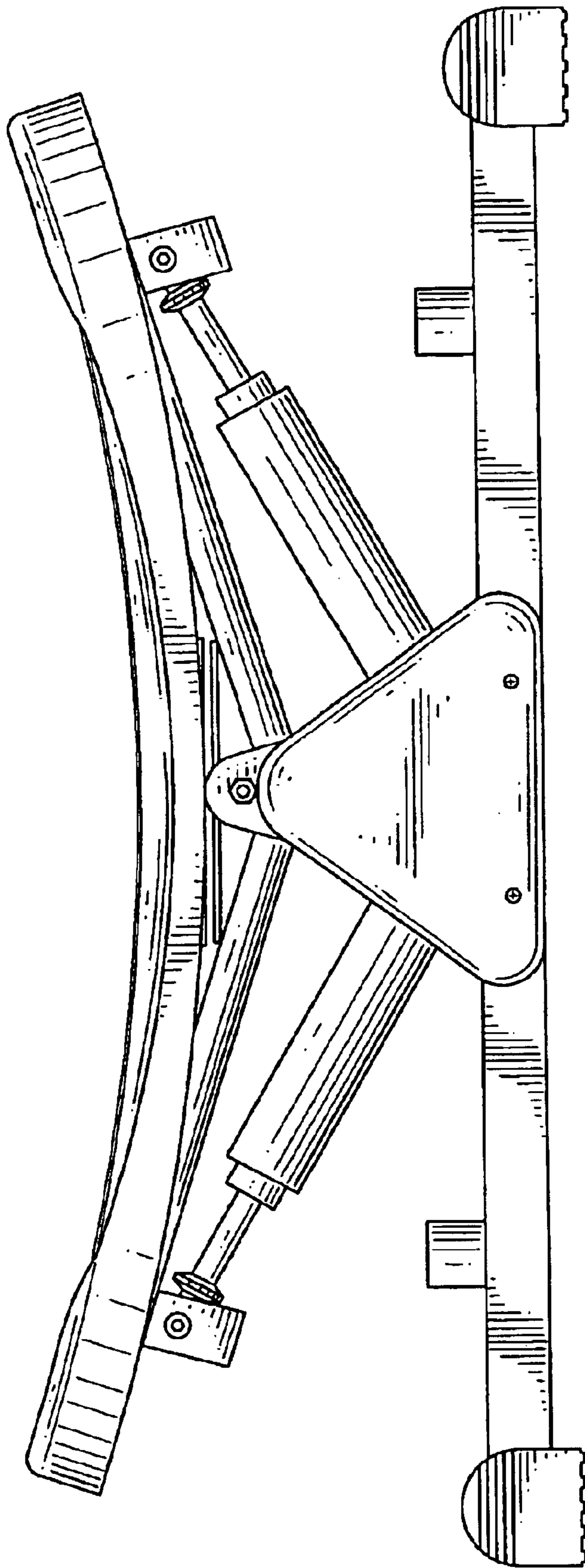


FIG. 2

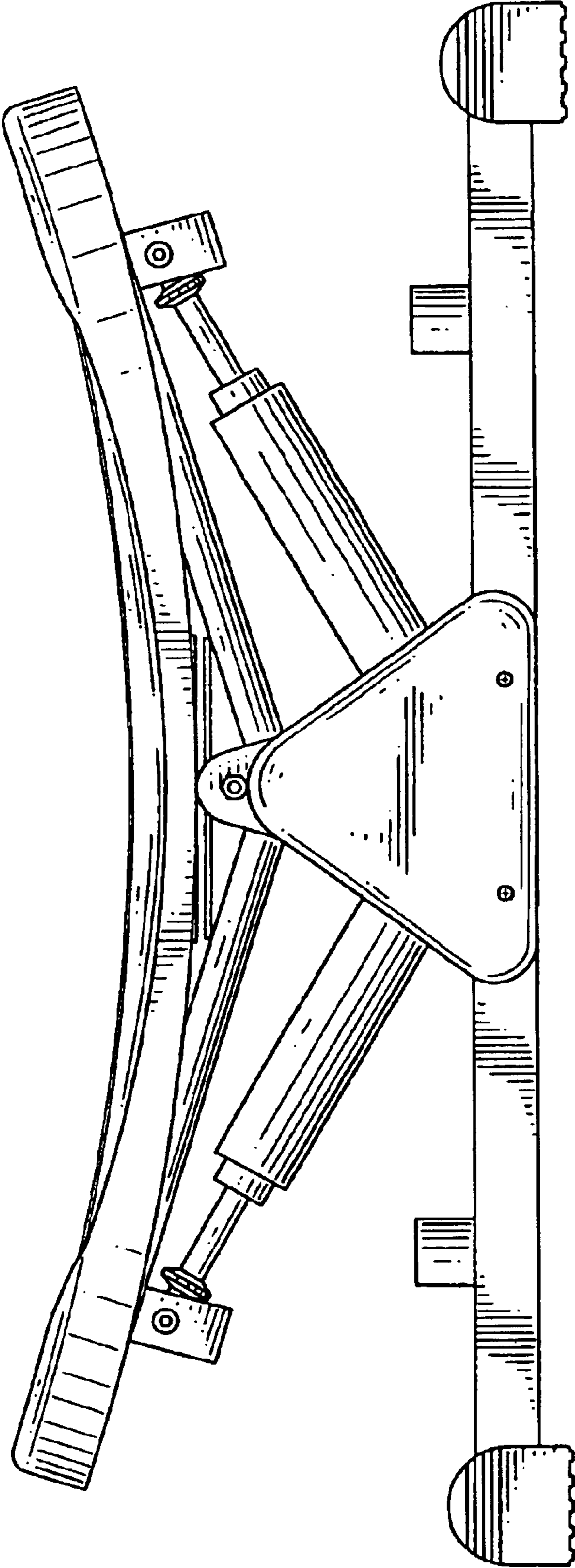


FIG.3

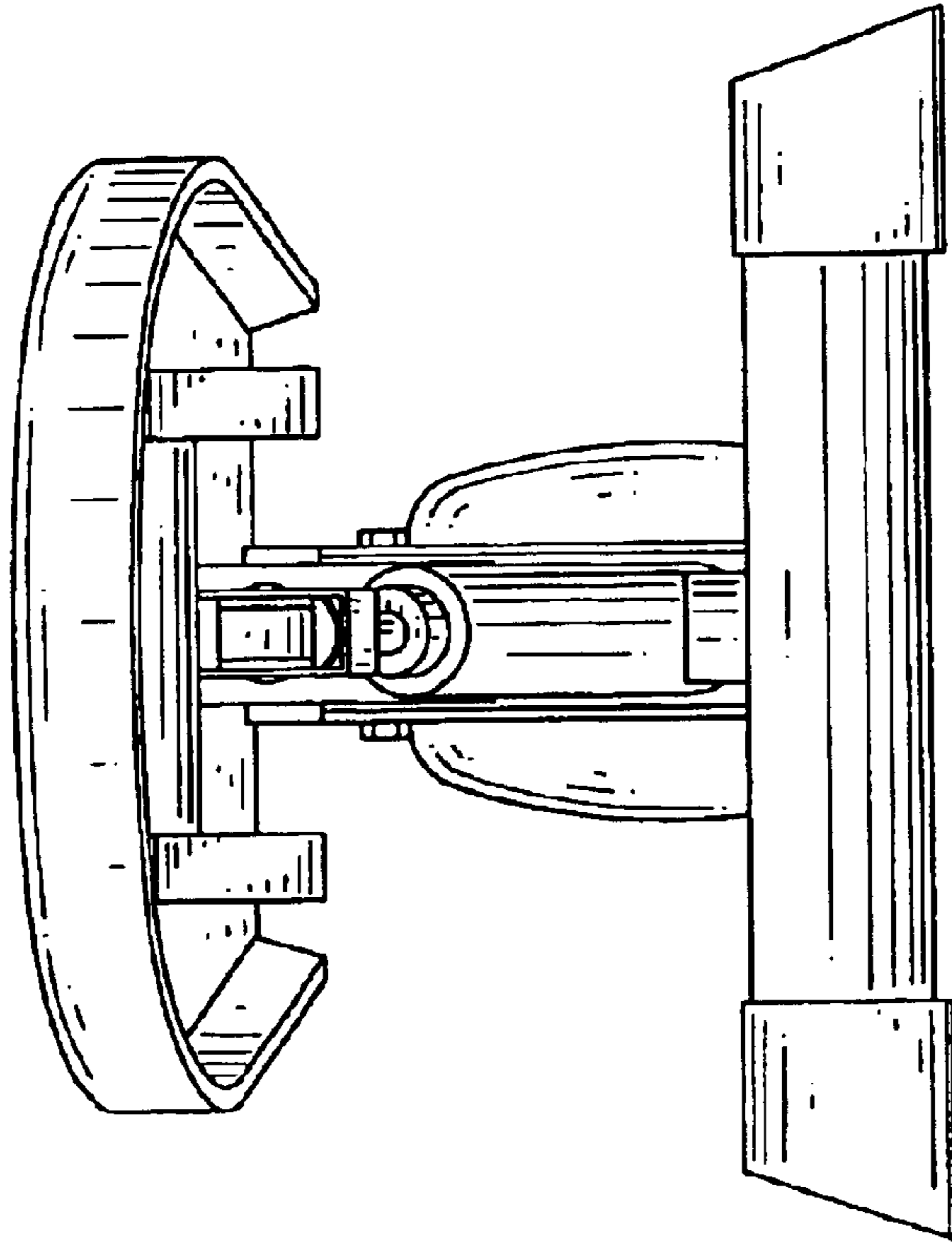


FIG.5

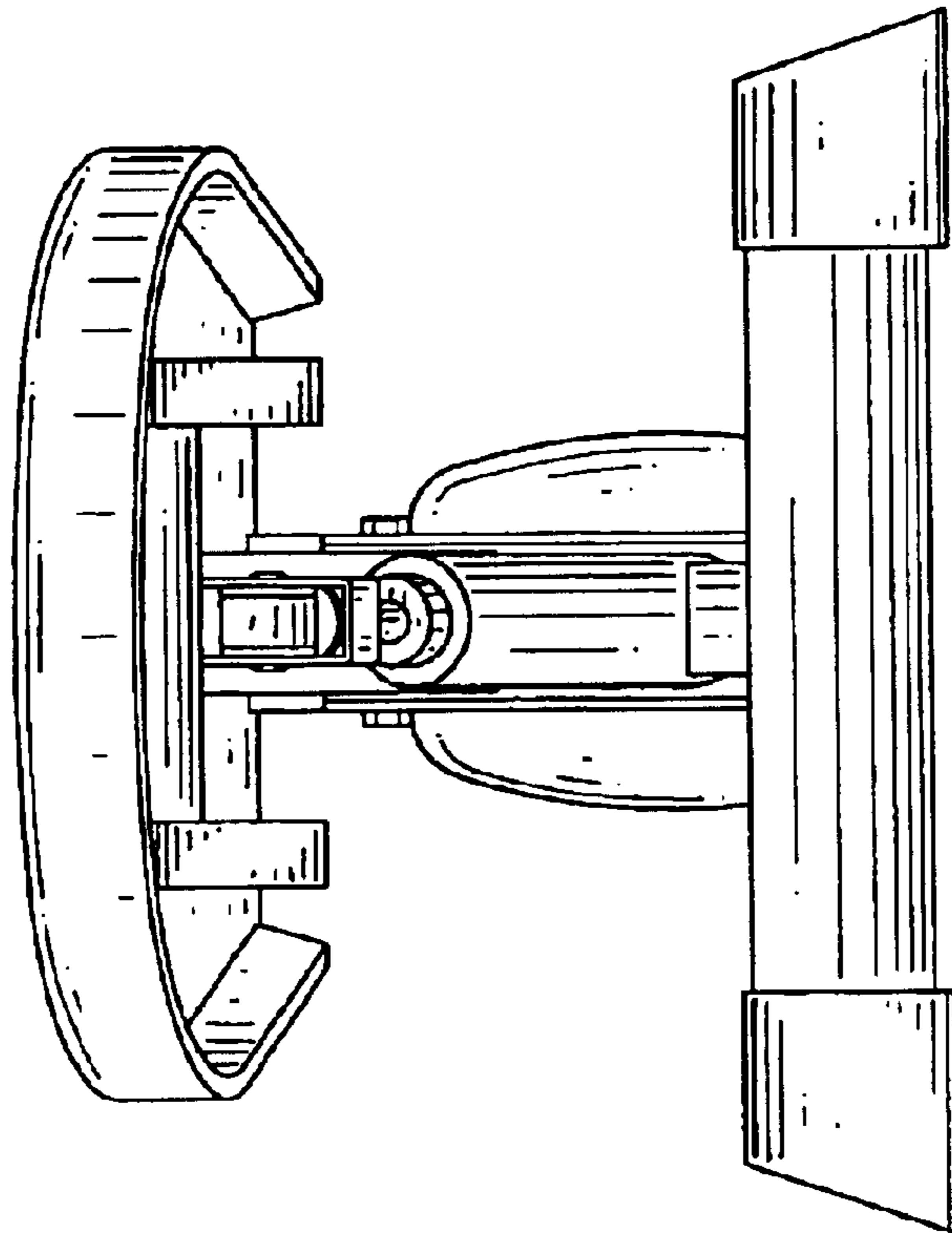


FIG.4

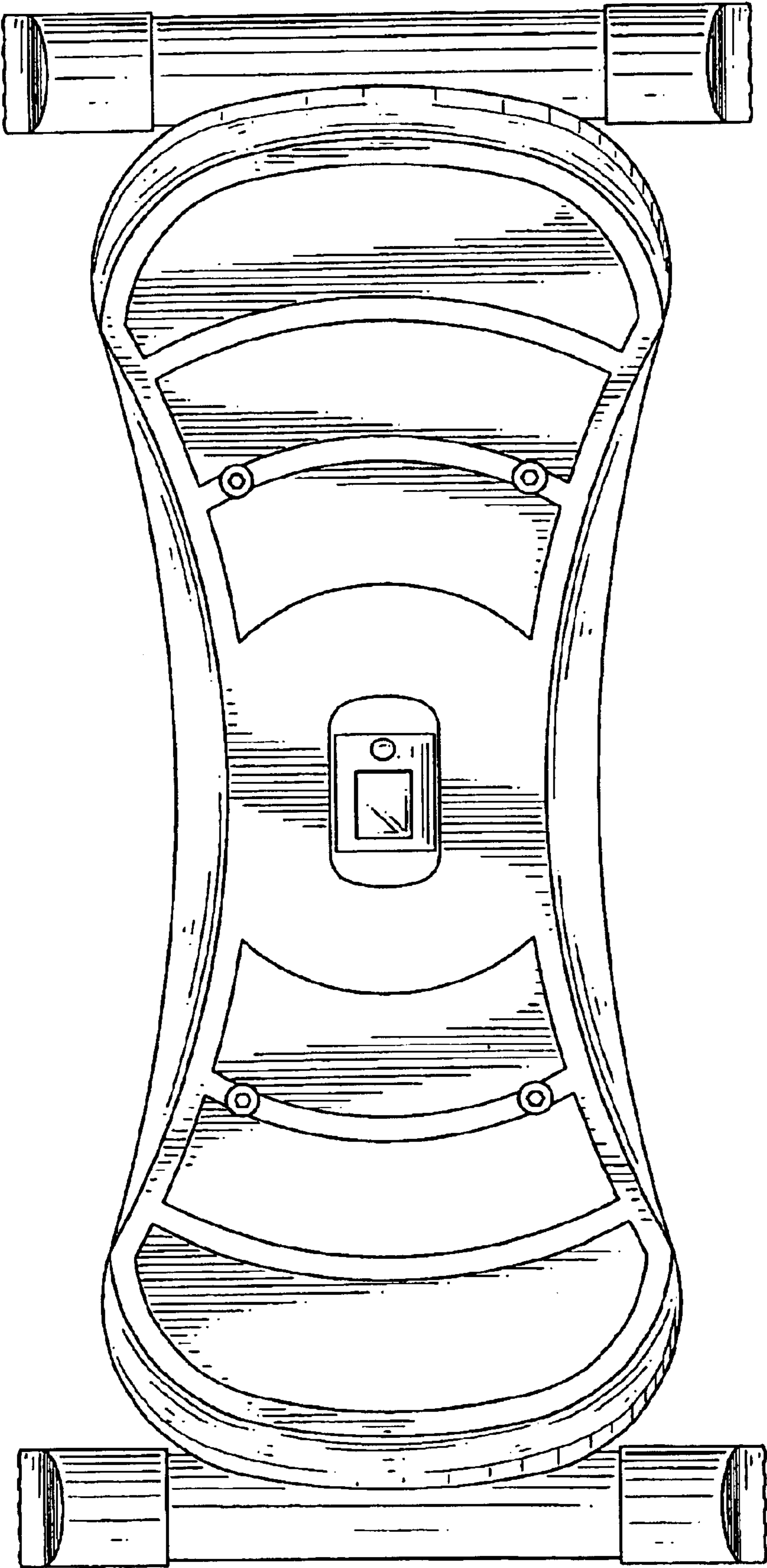


FIG. 6

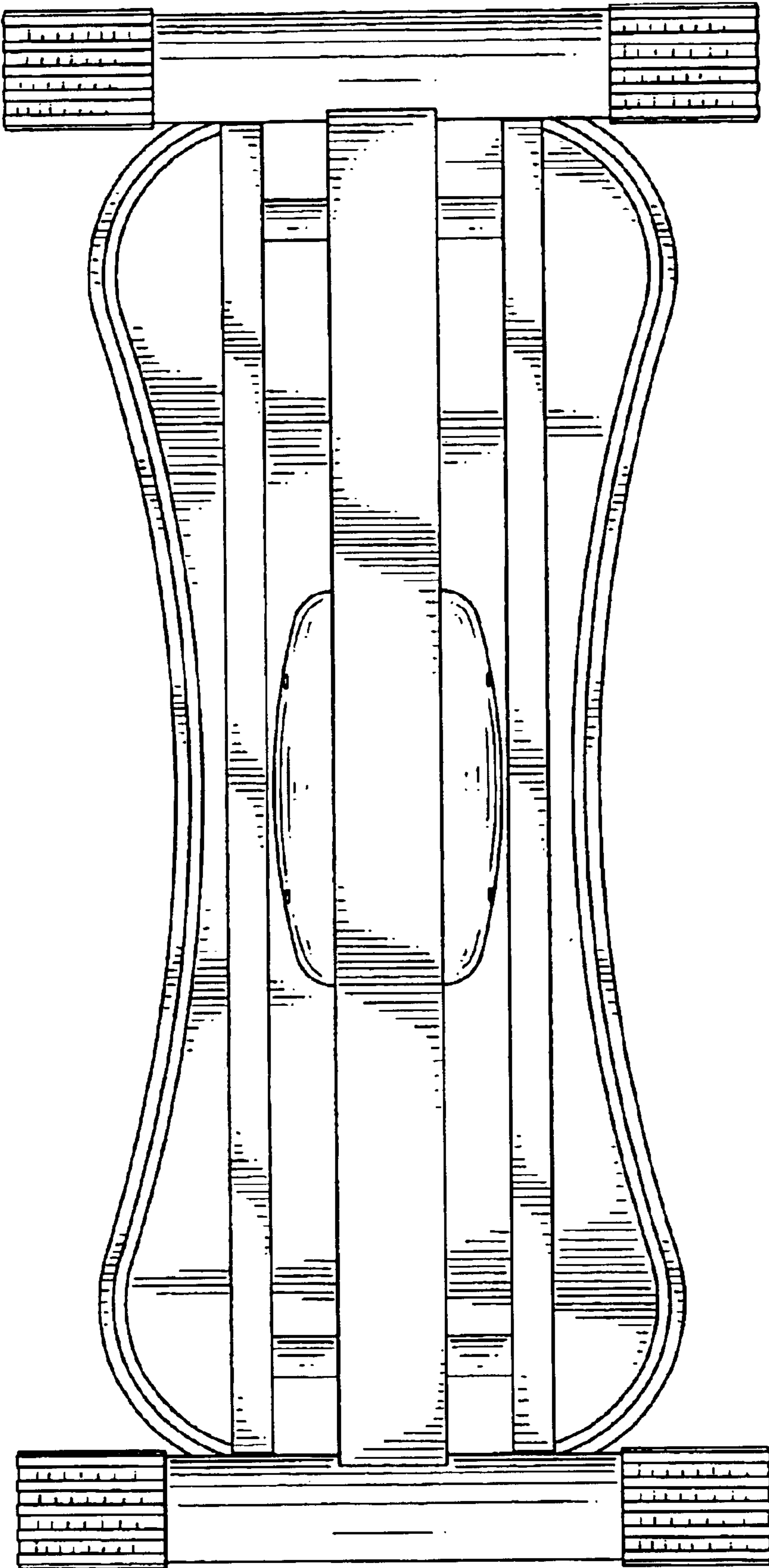


FIG.7