

US00D499454S

(12) **United States Design Patent**
Hornblad

(10) **Patent No.:** **US D499,454 S**

(45) **Date of Patent:** **** Dec. 7, 2004**

(54) **DISPLAY**

(75) **Inventor:** **Richard Hornblad**, Shorewood, WI
(US)

(73) **Assignee:** **DCI Marketing, Inc.**, Milwaukee, WI
(US)

(**) **Term:** **14 Years**

(21) **Appl. No.:** **29/187,238**

(22) **Filed:** **Jul. 29, 2003**

(51) **LOC (7) Cl.** **20-03**

(52) **U.S. Cl.** **D20/39; D20/10**

(58) **Field of Search** D20/10, 17, 39,
D20/41, 43, 99; D6/449, 454, 486; 40/368-9,
584, 602, 604-5, 606.1, 611.05-611.06,
624

(56) **References Cited**

U.S. PATENT DOCUMENTS

- D47,242 S * 4/1915 Cusack D20/39
- D74,852 S * 4/1928 Browne et al. D20/39
- D93,822 S * 11/1934 Hammer D20/39
- D237,231 S * 10/1975 Wells D6/464

- D334,217 S * 3/1993 Minehart D20/41
- D376,821 S * 12/1996 Hathaway D20/41
- D396,252 S * 7/1998 Geier et al. D20/41

* cited by examiner

Primary Examiner—Robert M. Spear

(74) *Attorney, Agent, or Firm*—Brian G. Gilpin; Godfrey & Kahn, S.C.

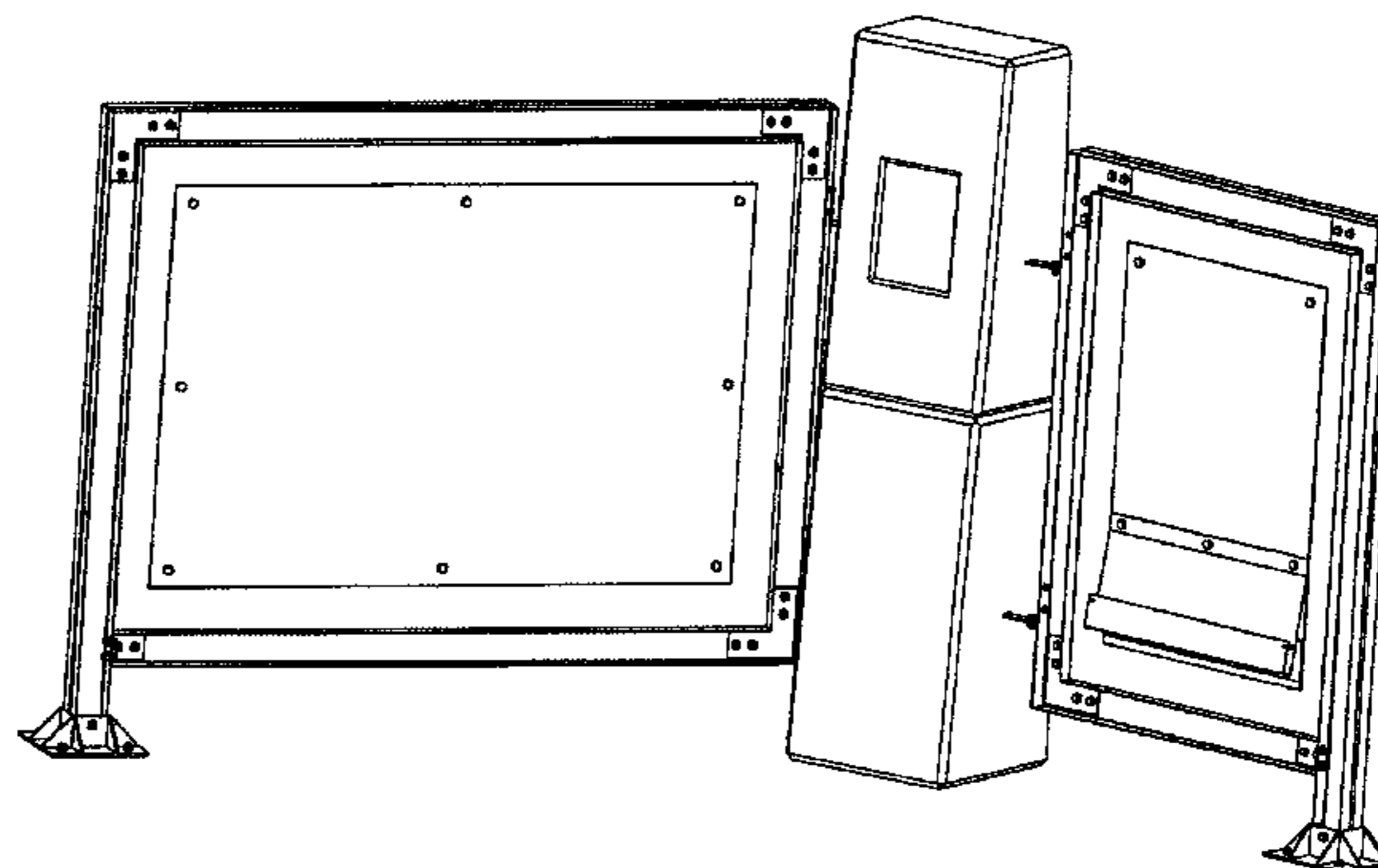
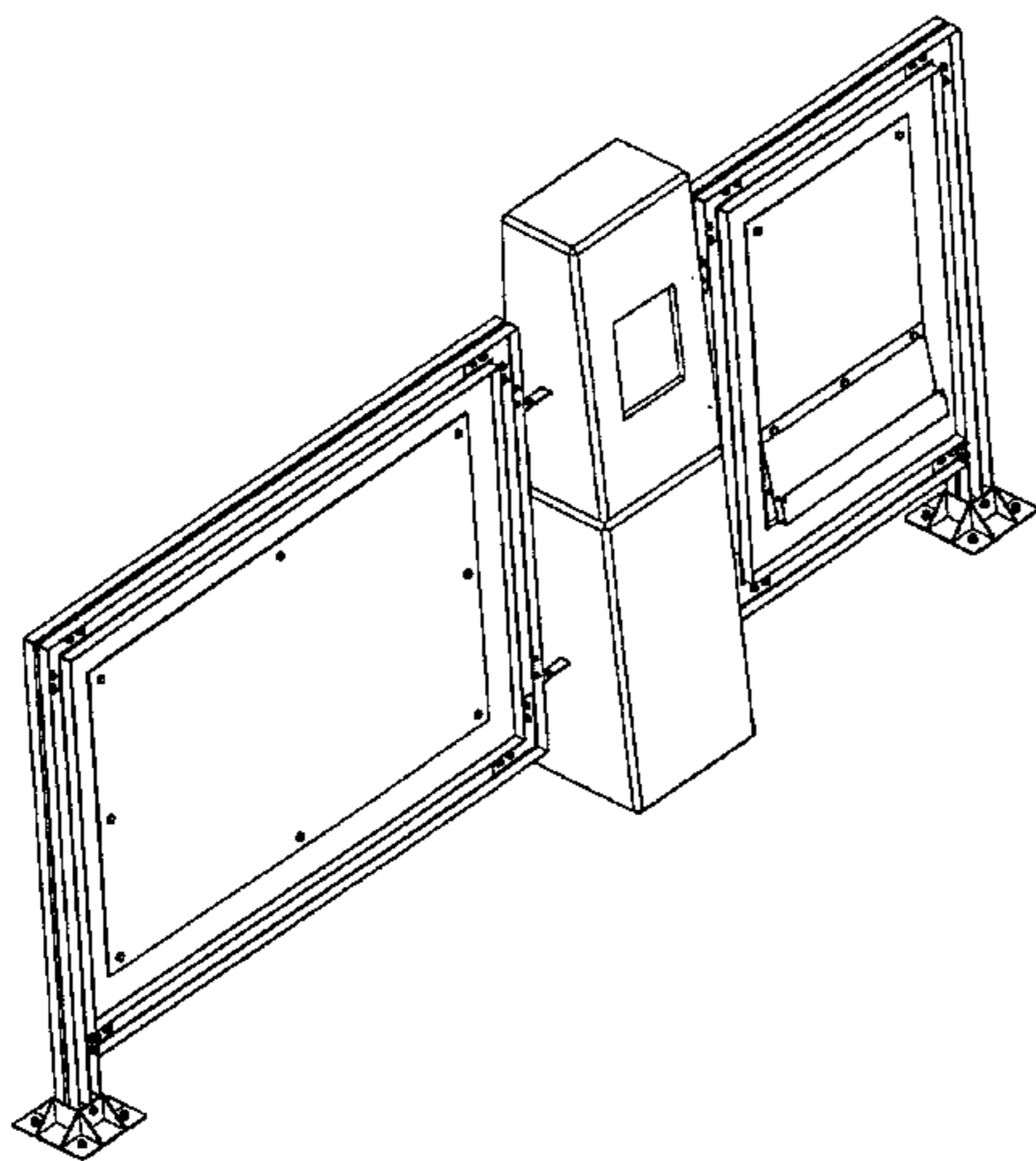
(57) **CLAIM**

The ornamental design for a display, as shown and described.

DESCRIPTION

FIG. 1 is a perspective view of a display showing my new design;
 FIG. 2 is an enlarged right side view of the display;
 FIG. 3 is a left side view of the display;
 FIG. 4 is a rear view of the display;
 FIG. 5 is a front view of the display;
 FIG. 6 is a top view of the display;
 FIG. 7 is a bottom view of the display; and,
 FIG. 8 is a perspective view of the display showing the panels of the display moved to an angle.

1 Claim, 8 Drawing Sheets



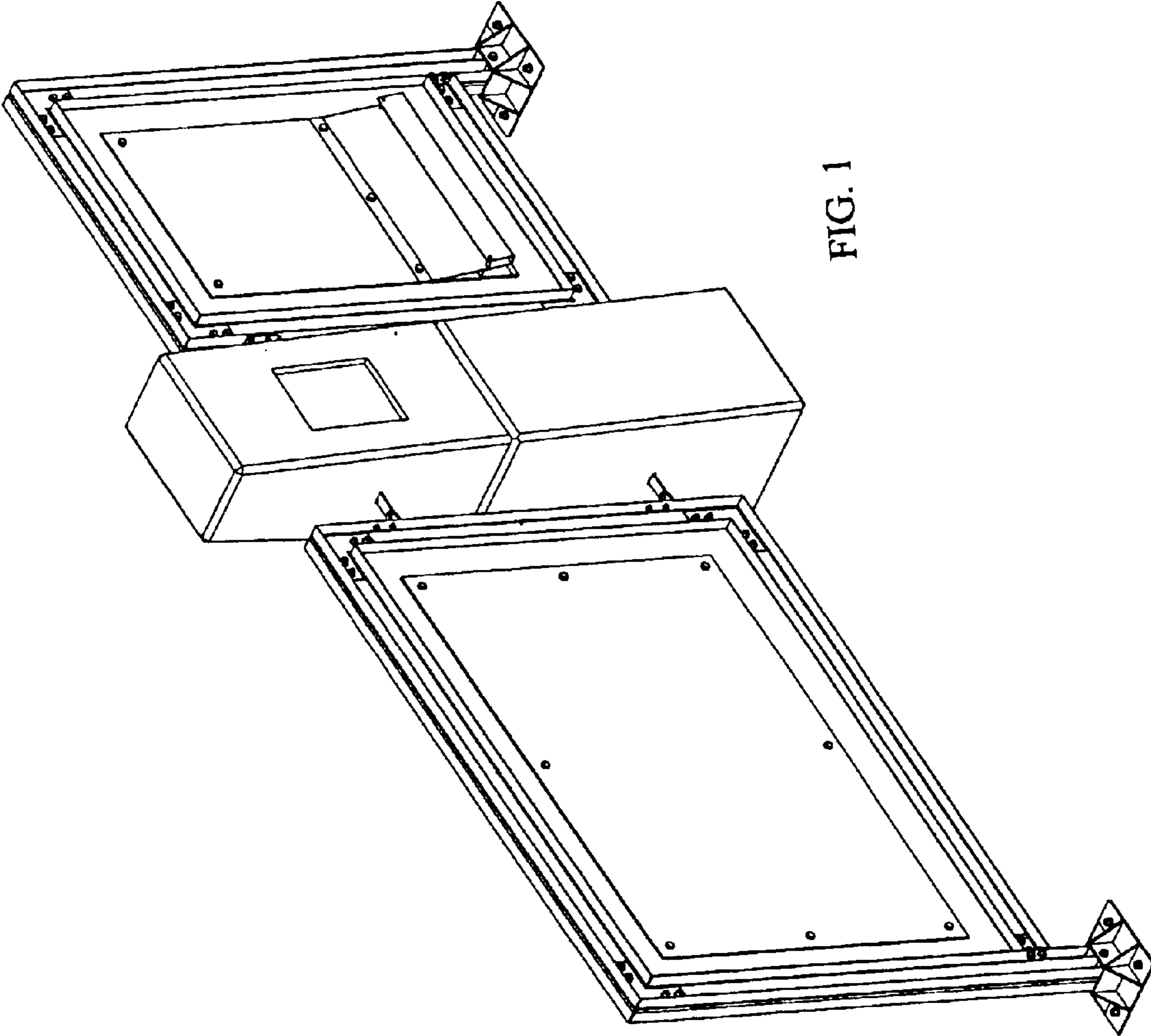


FIG. 1

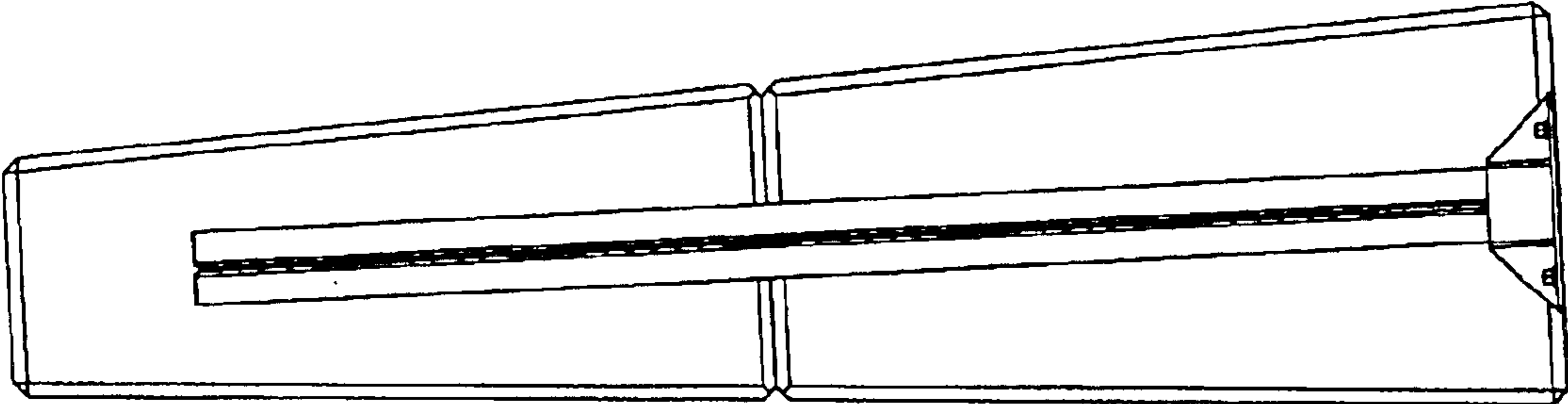


FIG. 2

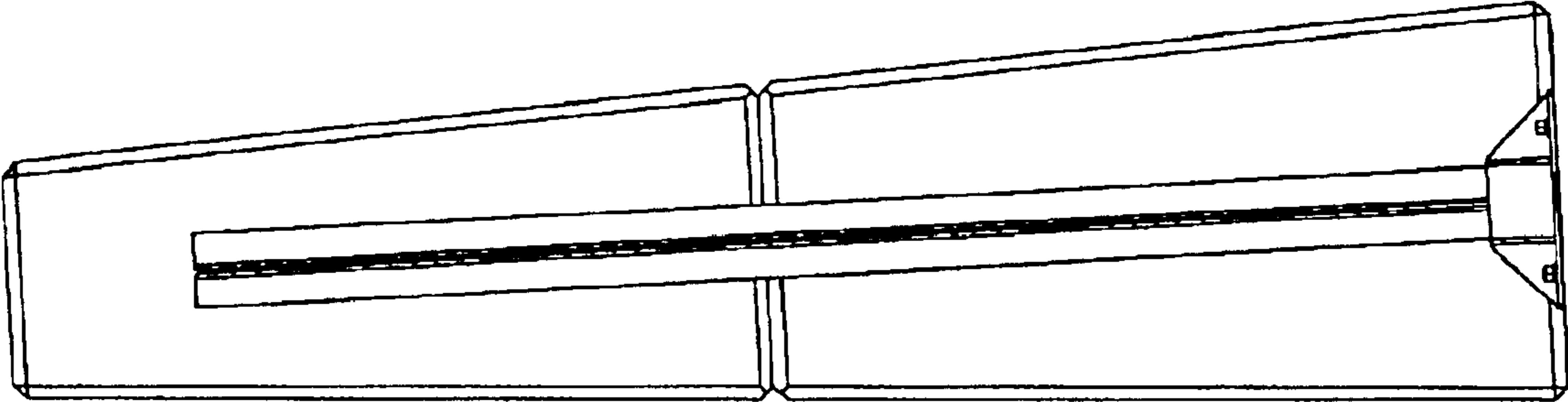


FIG. 3

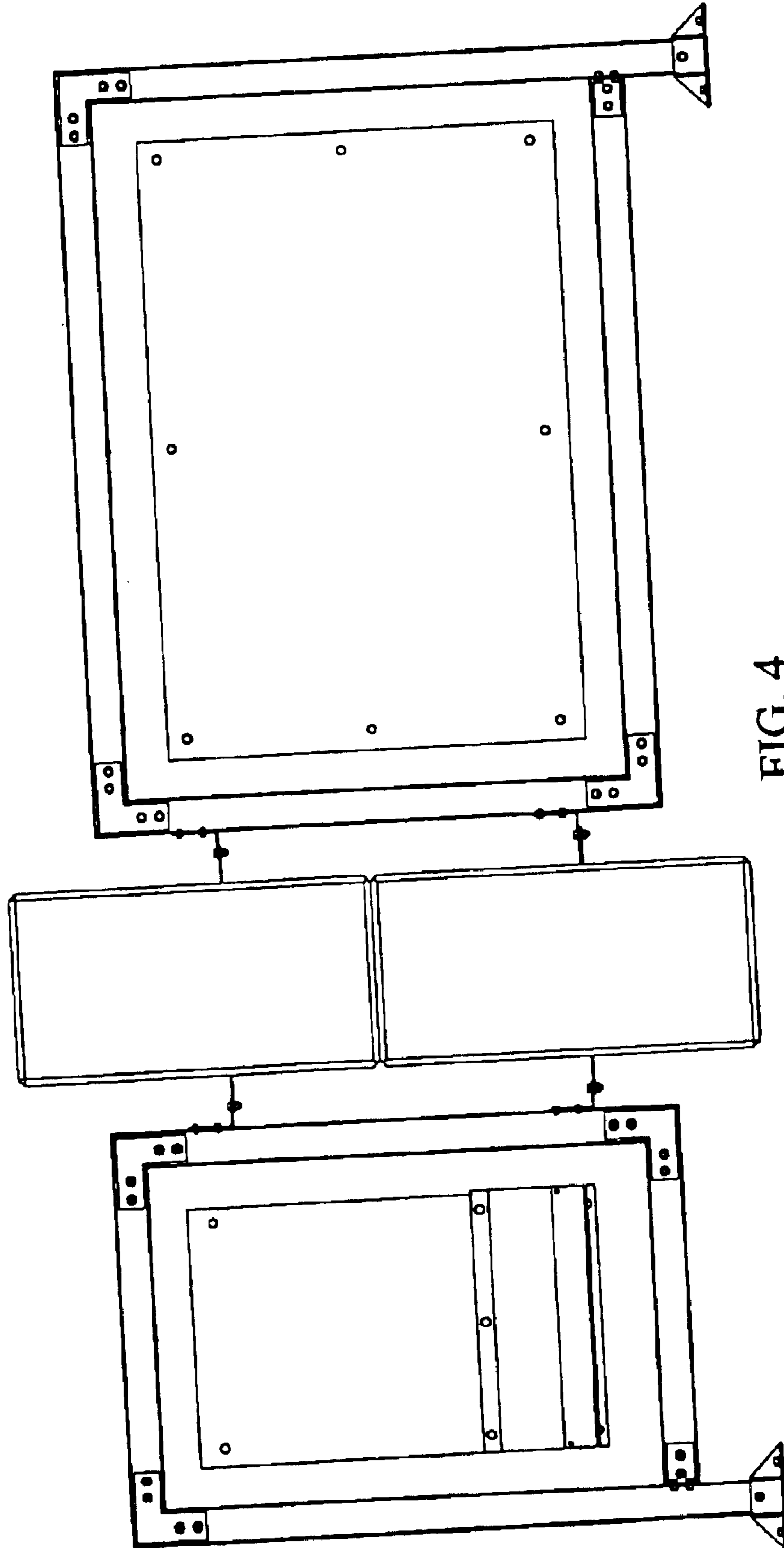


FIG. 4

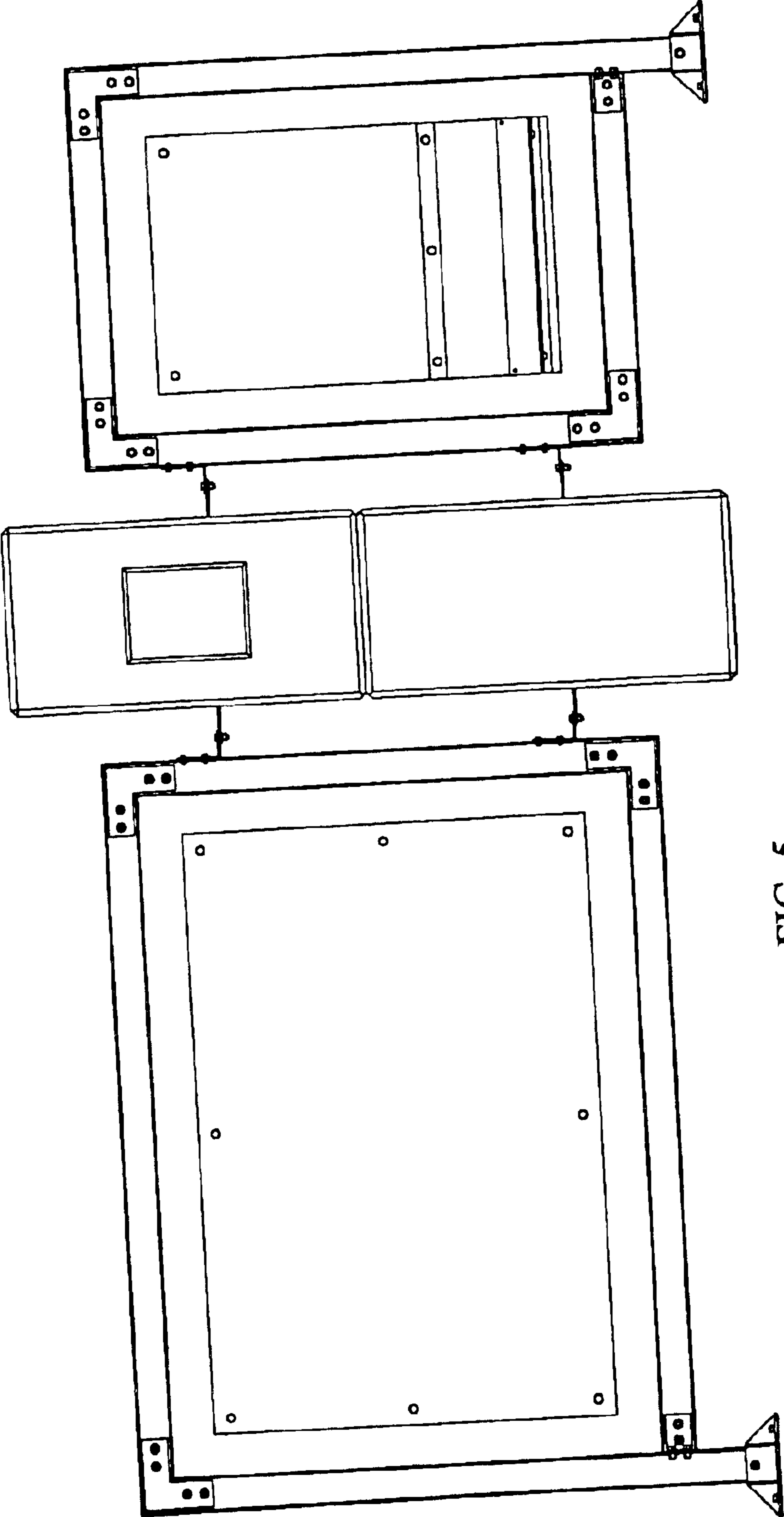


FIG. 5

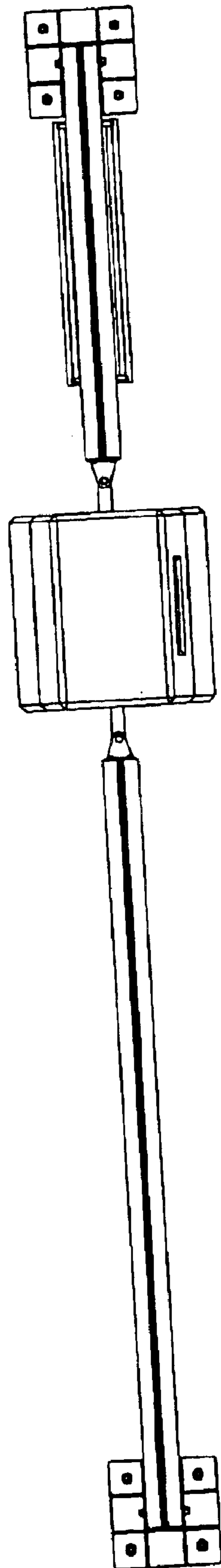


FIG. 6

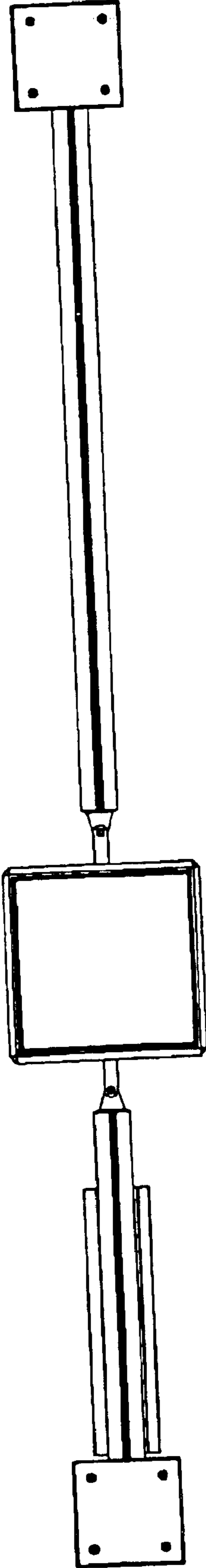


FIG. 7

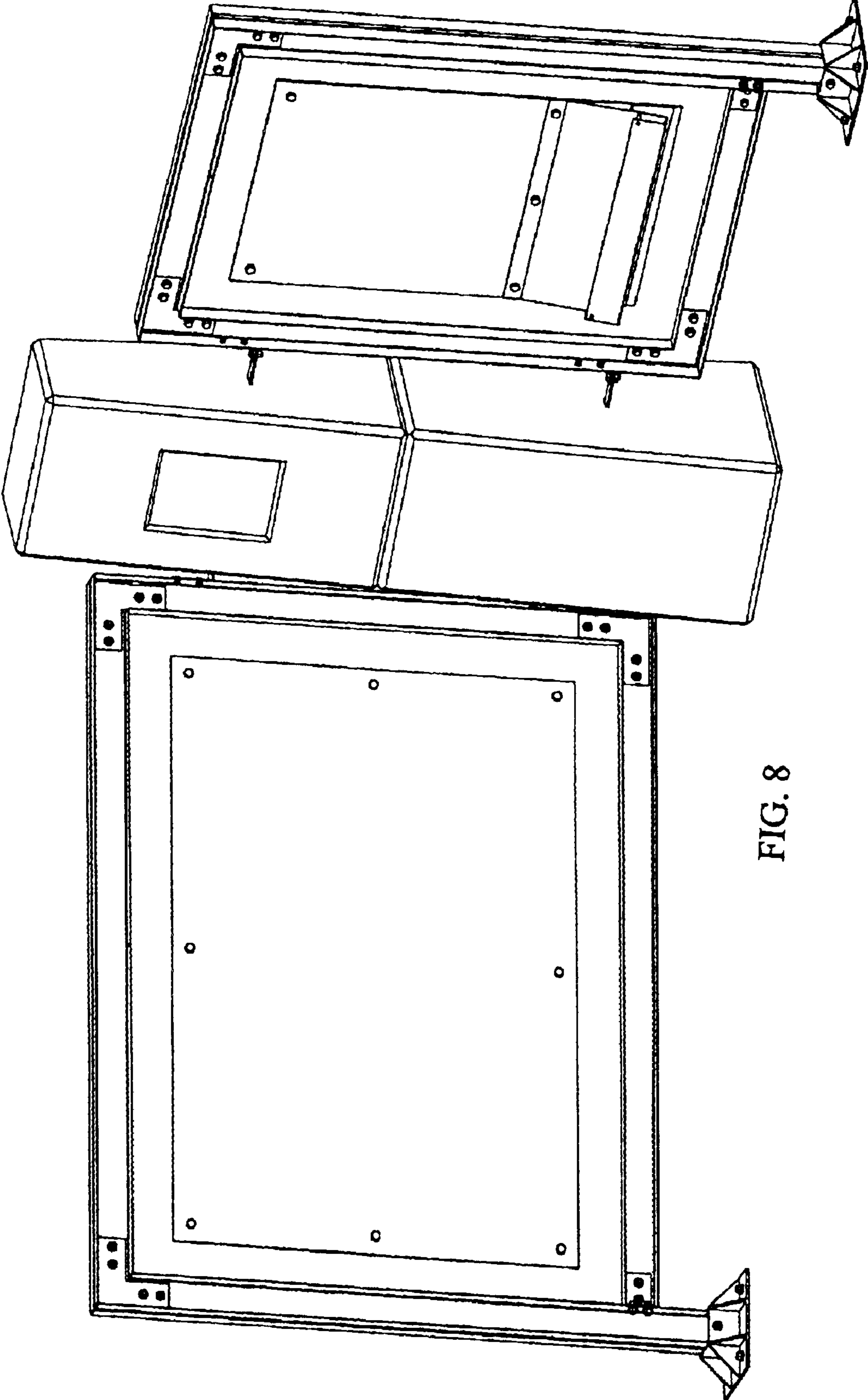


FIG. 8