



US00D499451S

(12) **United States Design Patent**  
**Mayo**

(10) **Patent No.:** **US D499,451 S**  
(45) **Date of Patent:** **\*\* Dec. 7, 2004**

(54) **VEHICLE MOUNTABLE LIGHTED  
WARNING SIGN DEVICE**

(76) **Inventor:** **Sean C. Mayo**, 6037 Cecil Ave.,  
Baltimore, MD (US) 21207

(\*\*) **Term:** **14 Years**

(21) **Appl. No.:** **29/188,860**

(22) **Filed:** **Aug. 26, 2003**

(51) **LOC (7) Cl.** ..... **20-02**

(52) **U.S. Cl.** ..... **D20/10; D20/19**

(58) **Field of Search** ..... D20/10, 12-13,  
D20/17, 19, 35, 39, 41-42, 99; D12/162,  
400, 406; D26/31, 34; 40/204-5, 209, 541-2,  
544, 564, 584, 590-1, 611.01, 618; 340/468-479

(56) **References Cited**

**U.S. PATENT DOCUMENTS**

- 2,314,326 A \* 3/1943 Cadwallader ..... 362/497
- 6,553,697 B1 \* 4/2003 Pichan ..... 40/591
- D478,935 S \* 8/2003 Gearhart et al. .... D20/10

\* cited by examiner

*Primary Examiner*—Robert M. Spear

(57) **CLAIM**

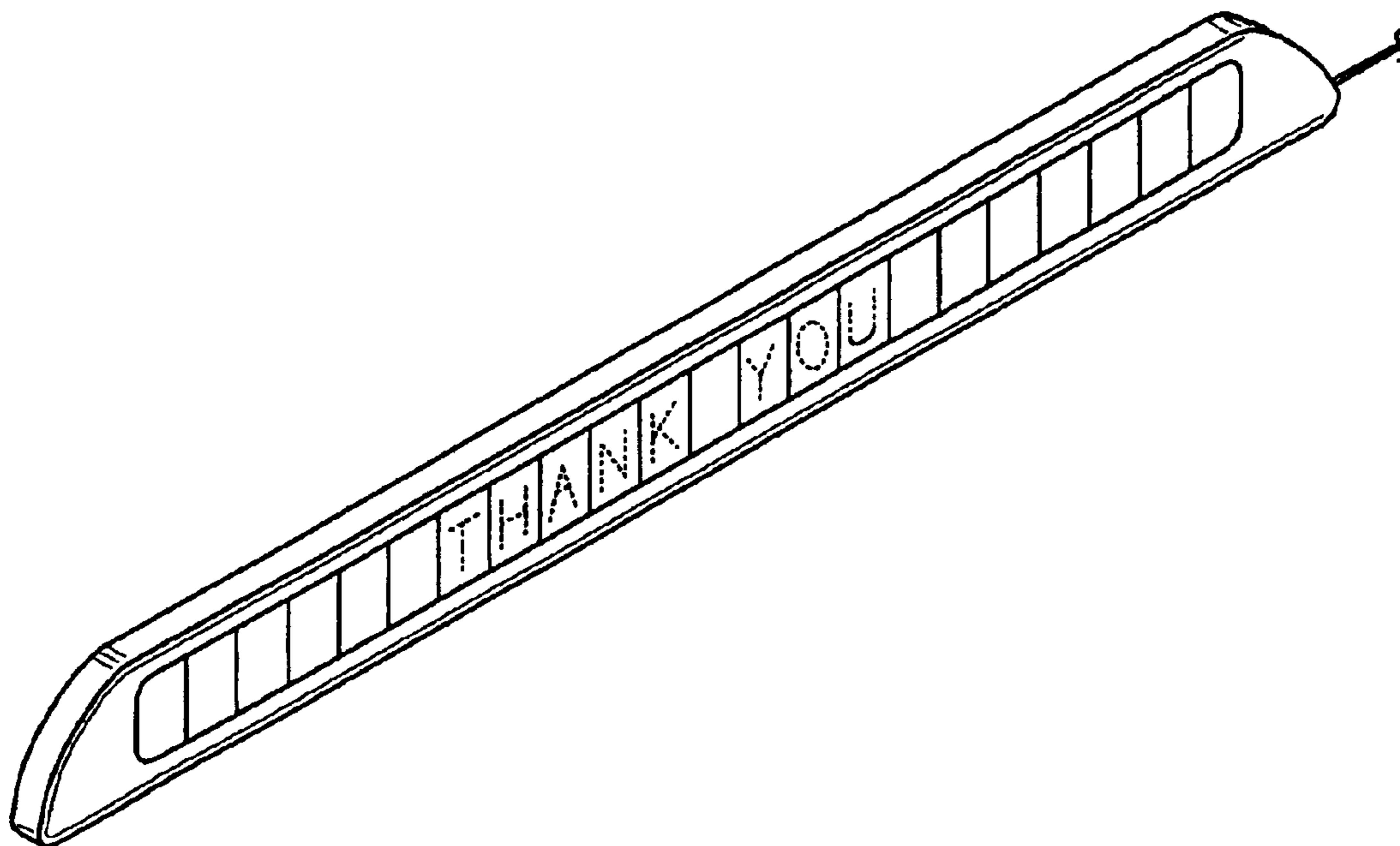
The ornamental design for a vehicle mountable lighted warning sign device, as shown and described.

**DESCRIPTION**

FIG. 1 is a front elevational view of a vehicle mountable lighted warning sign device showing my new design;  
 FIG. 2 is a rear elevational view of the vehicle mountable lighted warning sign device;  
 FIG. 3 is a side elevational view of the vehicle mountable lighted warning sign device;  
 FIG. 4 is a top plan view of the vehicle mountable lighted warning sign device;  
 FIG. 5 is a bottom plan view of the vehicle mountable lighted warning sign device; and,  
 FIG. 6 is a front perspective view of the vehicle mountable lighted warning sign device.

The word indicia in broken lines are for example purposes only and form no part of the claimed invention.

**1 Claim, 2 Drawing Sheets**



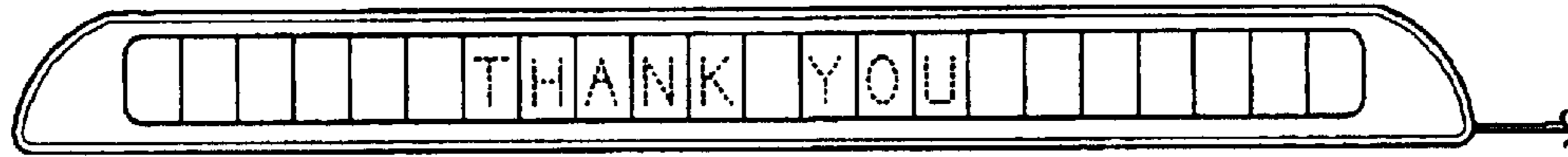


FIG. 1



FIG. 2



FIG. 3



FIG. 4

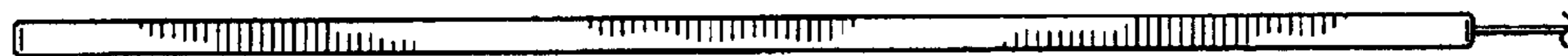


FIG. 5

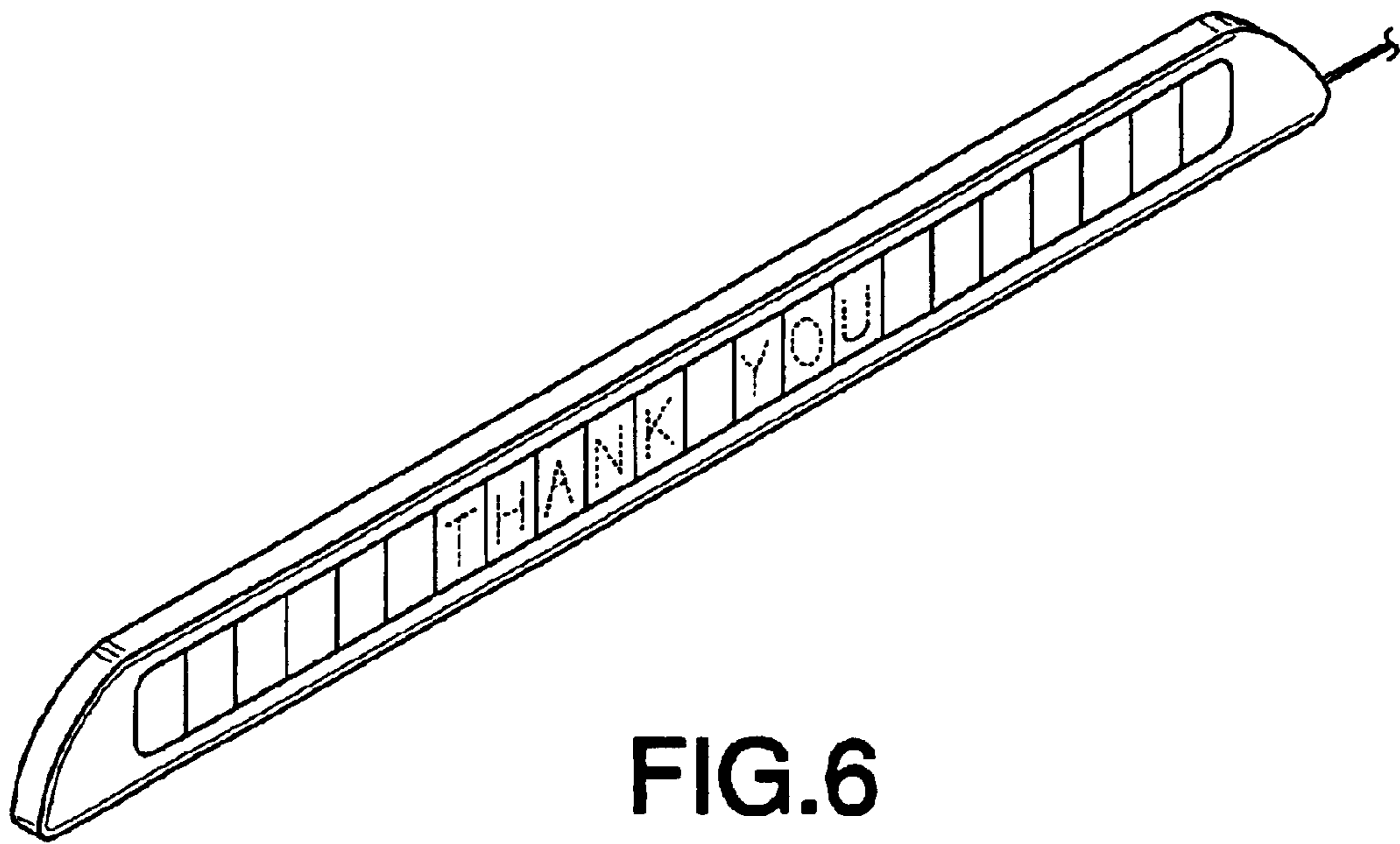


FIG.6