

US00D499444S

(12) **United States Design Patent**
Hwang

(10) **Patent No.:** **US D499,444 S**

(45) **Date of Patent:** **** Dec. 7, 2004**

(54) **PRINTER**

(75) **Inventor:** **Peter G. Hwang**, Vancouver, WA (US)

(73) **Assignee:** **Hewlett-Packard Development Company, L.P.**, Houston, TX (US)

(**) **Term:** **14 Years**

(21) **Appl. No.:** **29/185,184**

(22) **Filed:** **Jun. 23, 2003**

(51) **LOC (7) Cl.** **14-02**

(52) **U.S. Cl.** **D18/50**

(58) **Field of Search** D18/19, 36-39,
D18/50, 54-54.1, 55; D14/420-426, 428,
462-470; 400/691-694, 613, 613.1-613.4,
690.1-690.4

(56) **References Cited**

U.S. PATENT DOCUMENTS

D394,452 S 5/1998 Iwamoto et al.
D418,158 S * 12/1999 Aihara et al. D18/50

D428,623 S * 7/2000 Igarashi D18/54
D460,478 S 7/2002 Bishop et al.
D462,087 S 8/2002 Dywer et al.
D464,080 S 10/2002 Yamano et al.
D466,924 S 12/2002 Wong et al.

* cited by examiner

Primary Examiner—Cathy Anne MacCormac

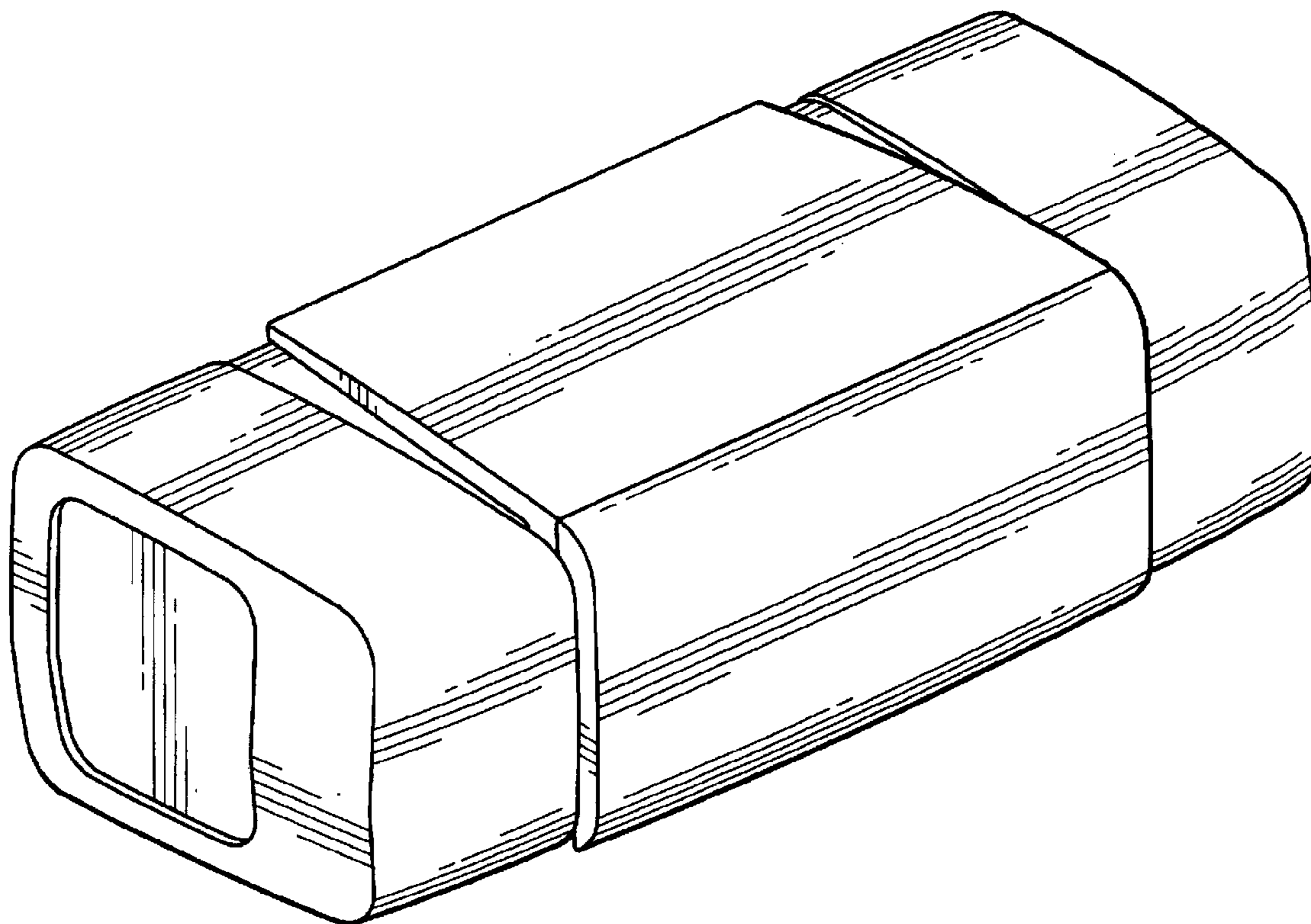
(57) **CLAIM**

The ornamental design for a printer, substantially as shown.

DESCRIPTION

FIG. 1 is a perspective view of a printer, in accordance with the present invention;
FIG. 2 is a front view thereof;
FIG. 3 is a right side view thereof, the left side is a mirror image;
FIG. 4 is a rear view thereof;
FIG. 5 is a top view thereof; and,
FIG. 6 is a bottom view thereof.

1 Claim, 5 Drawing Sheets



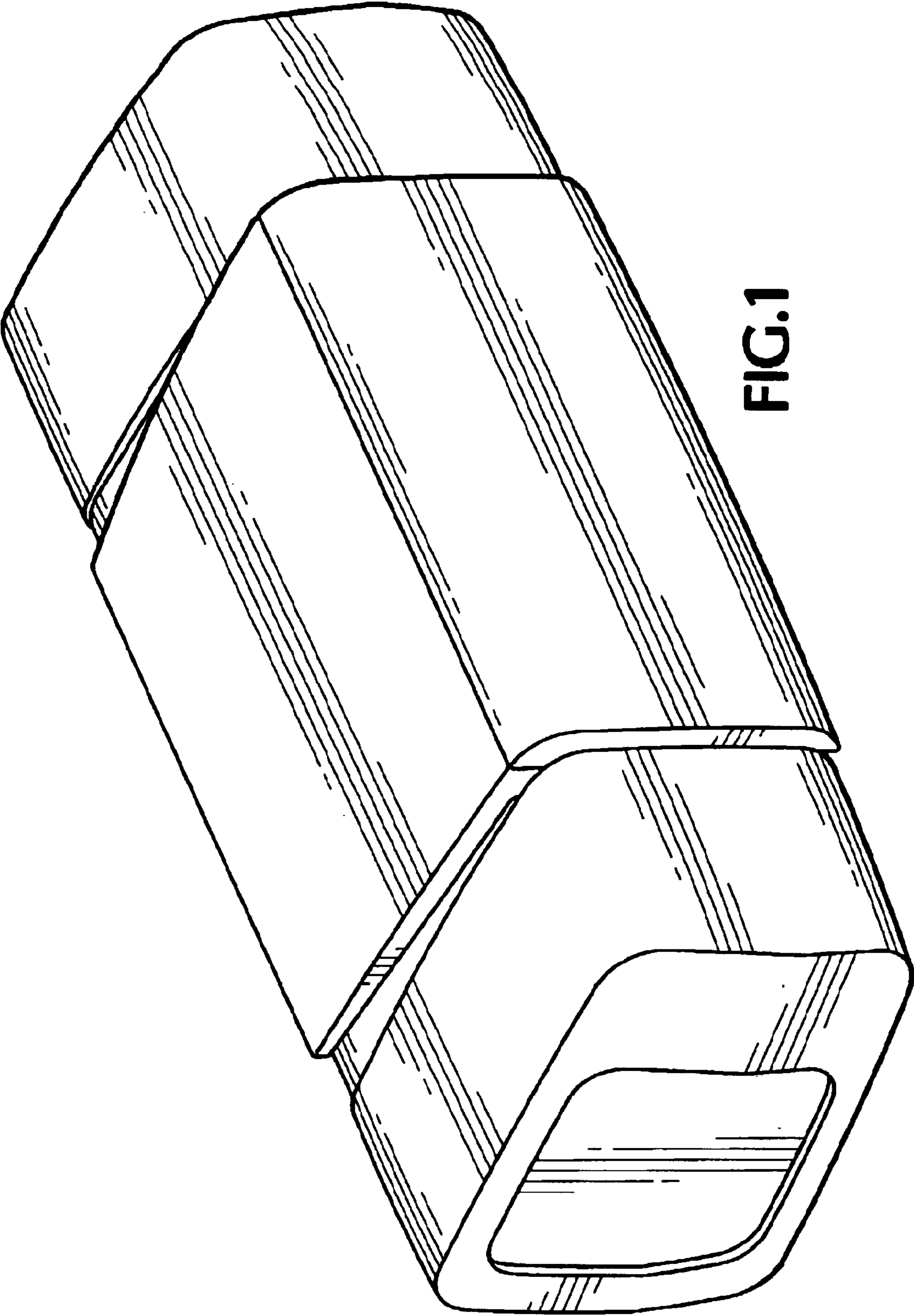


FIG. 1

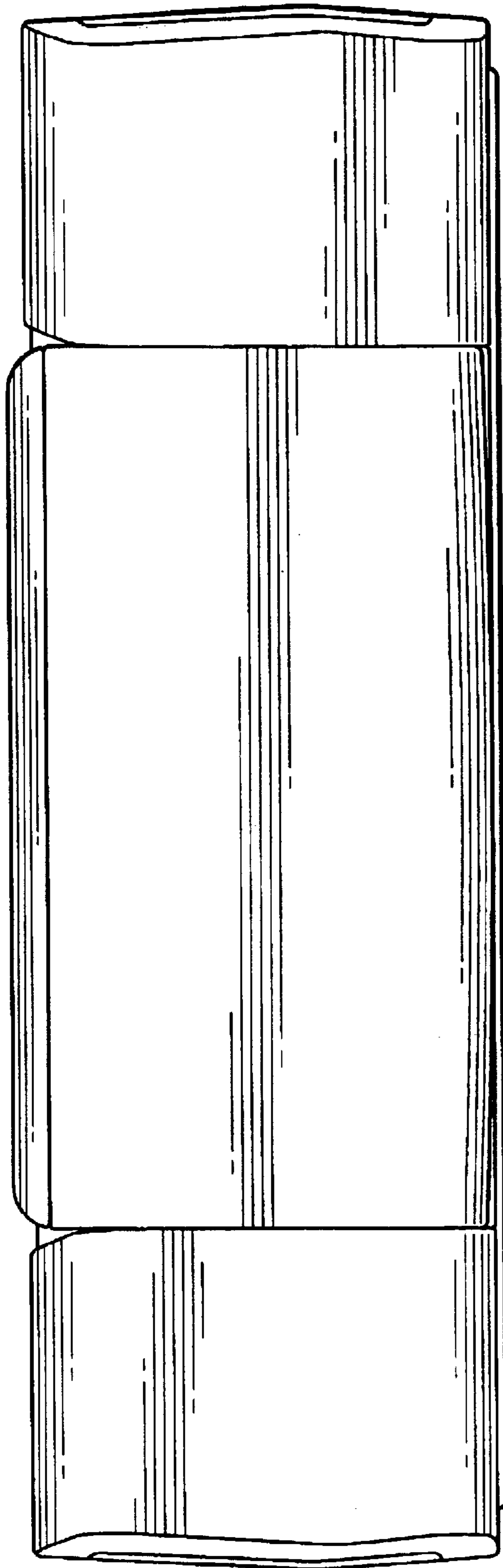


FIG.2

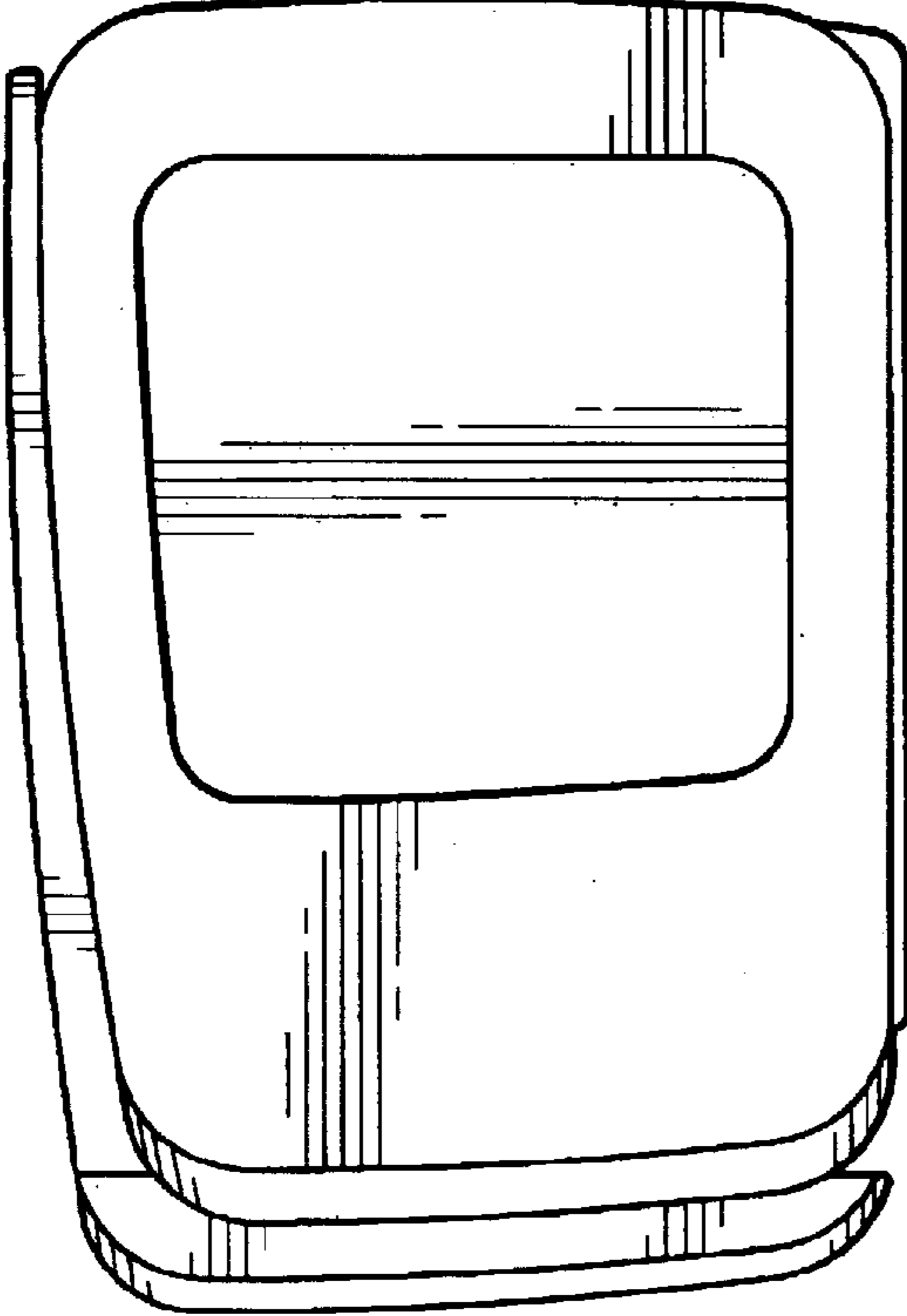
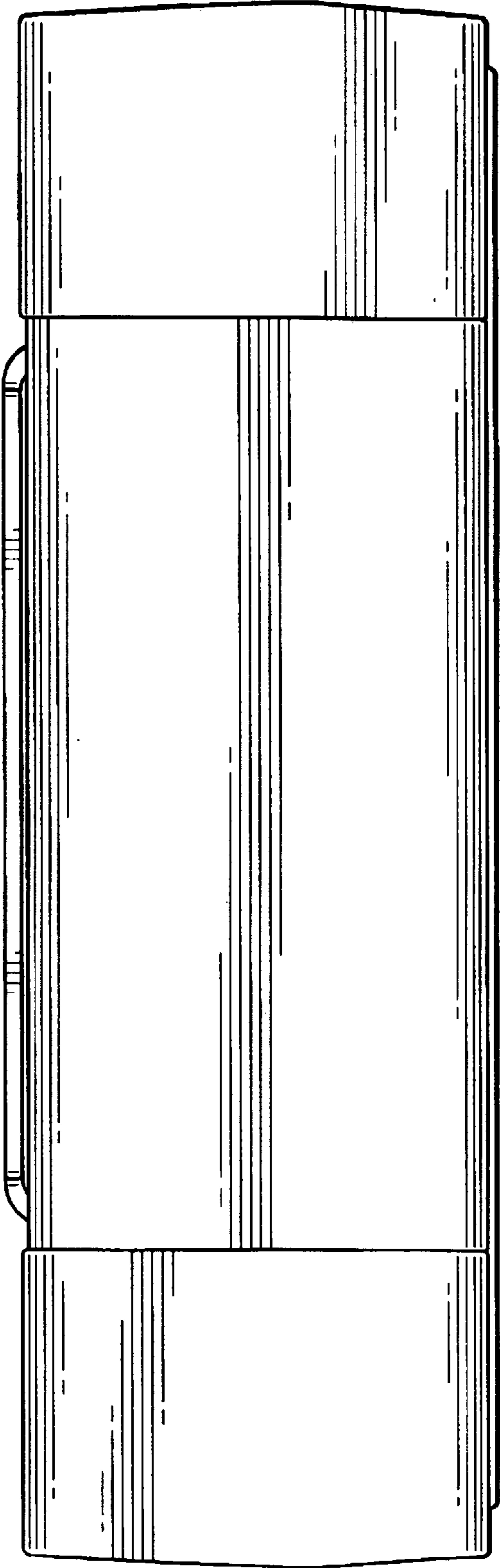


FIG.3

FIG.4



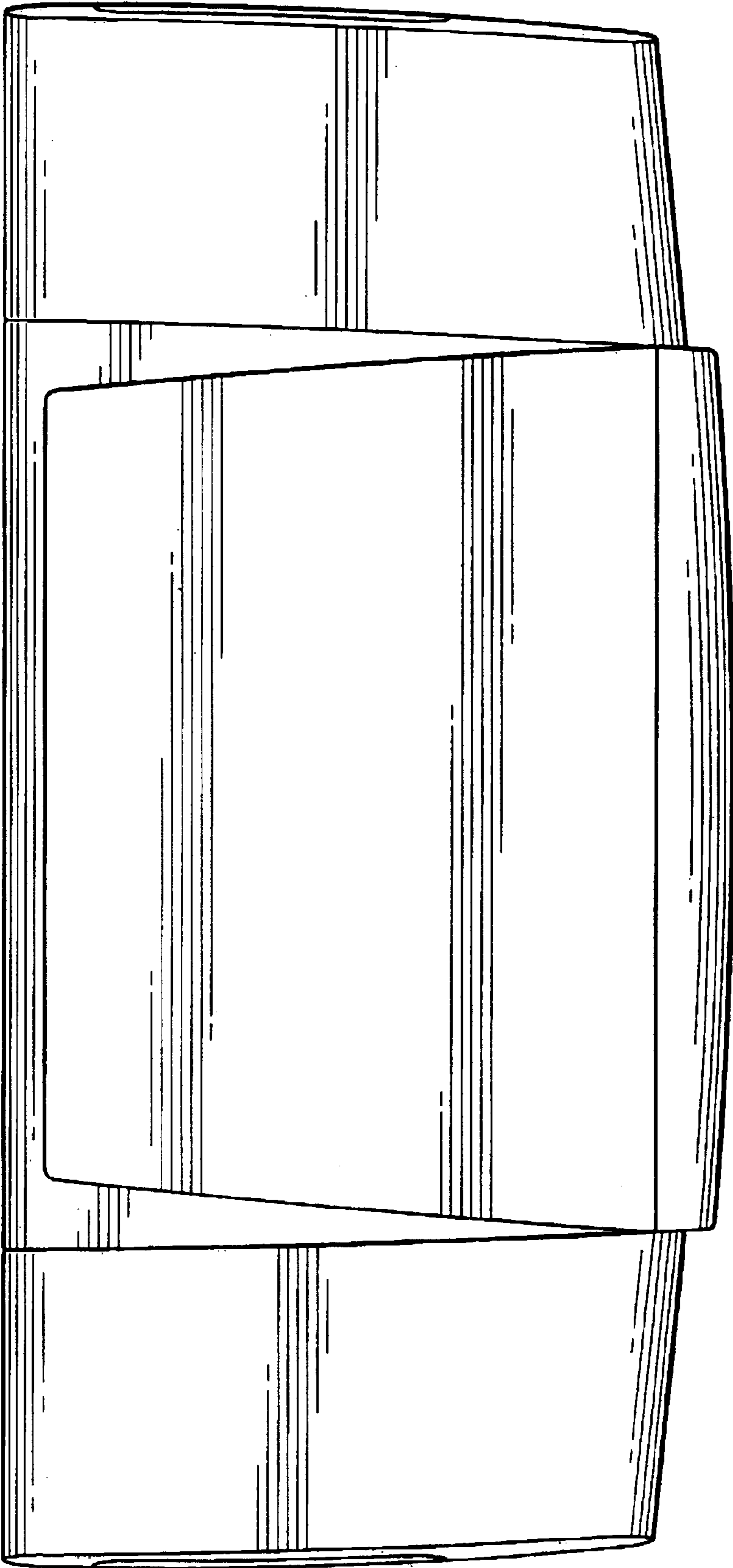


FIG.5

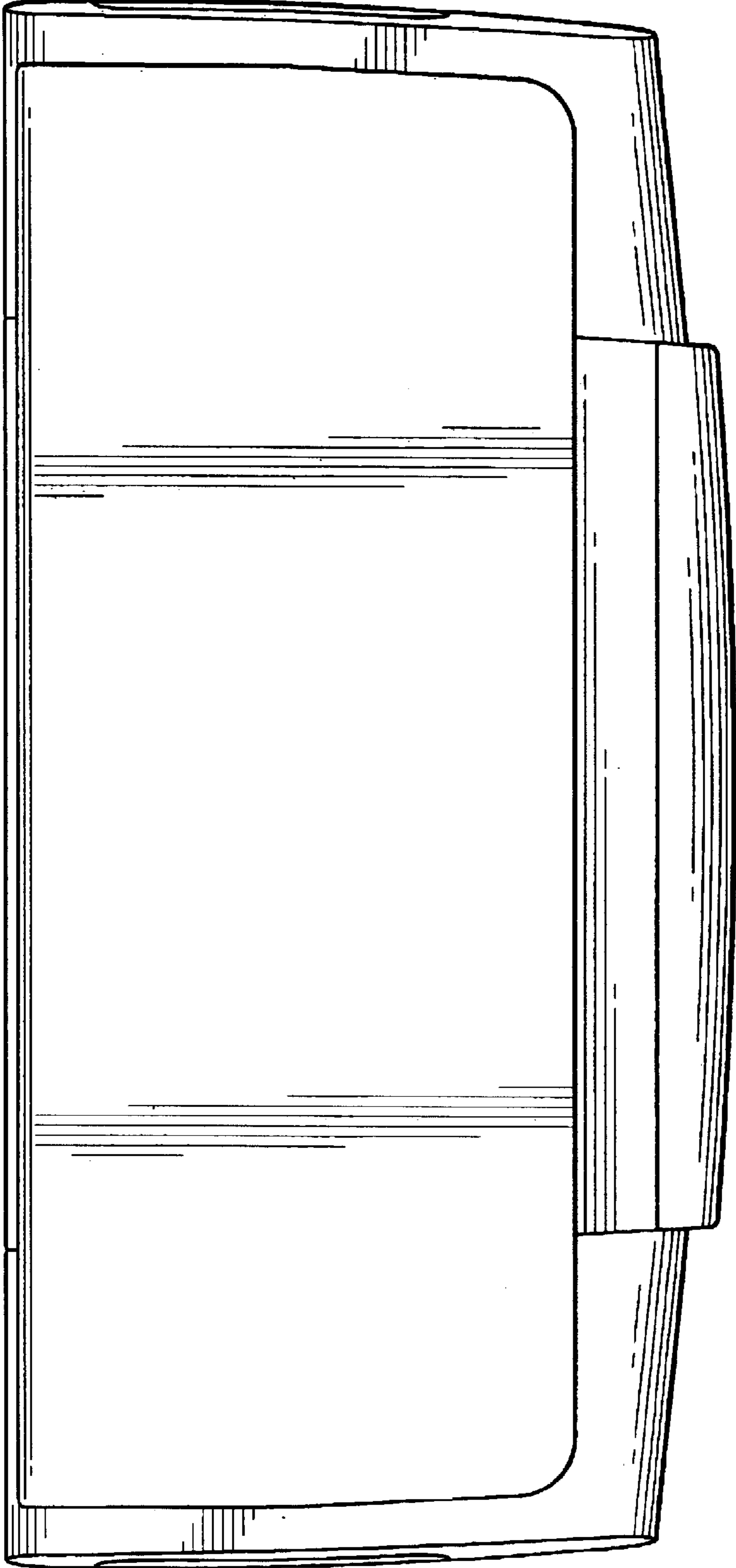


FIG.6