

US00D499443S

(12) **United States Design Patent**
Ohno

(10) **Patent No.:** **US D499,443 S**
(45) **Date of Patent:** **** Dec. 7, 2004**

(54) **ELECTRONIC PIANO**
(75) Inventor: **Masaharu Ohno**, Shizuoka (JP)
(73) Assignee: **Yamaha Corporation**, Shizuoka (JP)
(**) Term: **14 Years**

D322,086 S * 12/1991 Yamawaki et al. D17/7
D324,531 S * 3/1992 Lee D17/7
D369,378 S * 4/1996 Okamura D17/7
D372,728 S * 8/1996 Mizushima D17/7
D382,006 S * 8/1997 Nakajima D17/7
D386,514 S * 11/1997 Nakada et al. D17/7

* cited by examiner

(21) Appl. No.: **29/188,996**
(22) Filed: **Aug. 28, 2003**
(30) **Foreign Application Priority Data**

Mar. 11, 2003 (JP) 2003-006340

(51) **LOC (7) Cl.** **17-01**
(52) **U.S. Cl.** **D17/7**
(58) **Field of Search** D17/1, 2, 5-9,
D17/99; D21/409; 84/13, 172, 174, 177-180,
423 R, 719, 744, 659-661, 622; 446/143

(56) **References Cited**

U.S. PATENT DOCUMENTS

D256,130 S * 7/1980 Ohta D17/7
D260,528 S * 9/1981 Decker D17/8
D308,215 S * 5/1990 Katsuhara D17/7

Primary Examiner—Ruth McInroy
Assistant Examiner—C Styles
(74) *Attorney, Agent, or Firm*—Sughrue Mion, PLLC

(57) **CLAIM**

The ornamental design for an electronic piano, as shown.

DESCRIPTION

FIG. 1 is a top, front and left side perspective view of an electronic piano showing my new design; FIG. 2 is a front elevational view thereof; FIG. 3 is a rear elevational view thereof; FIG. 4 is a right side elevational view thereof; FIG. 5 is a left side elevational view thereof; FIG. 6 is a top plan view thereof; and, FIG. 7 is a bottom plan view thereof.

1 Claim, 4 Drawing Sheets

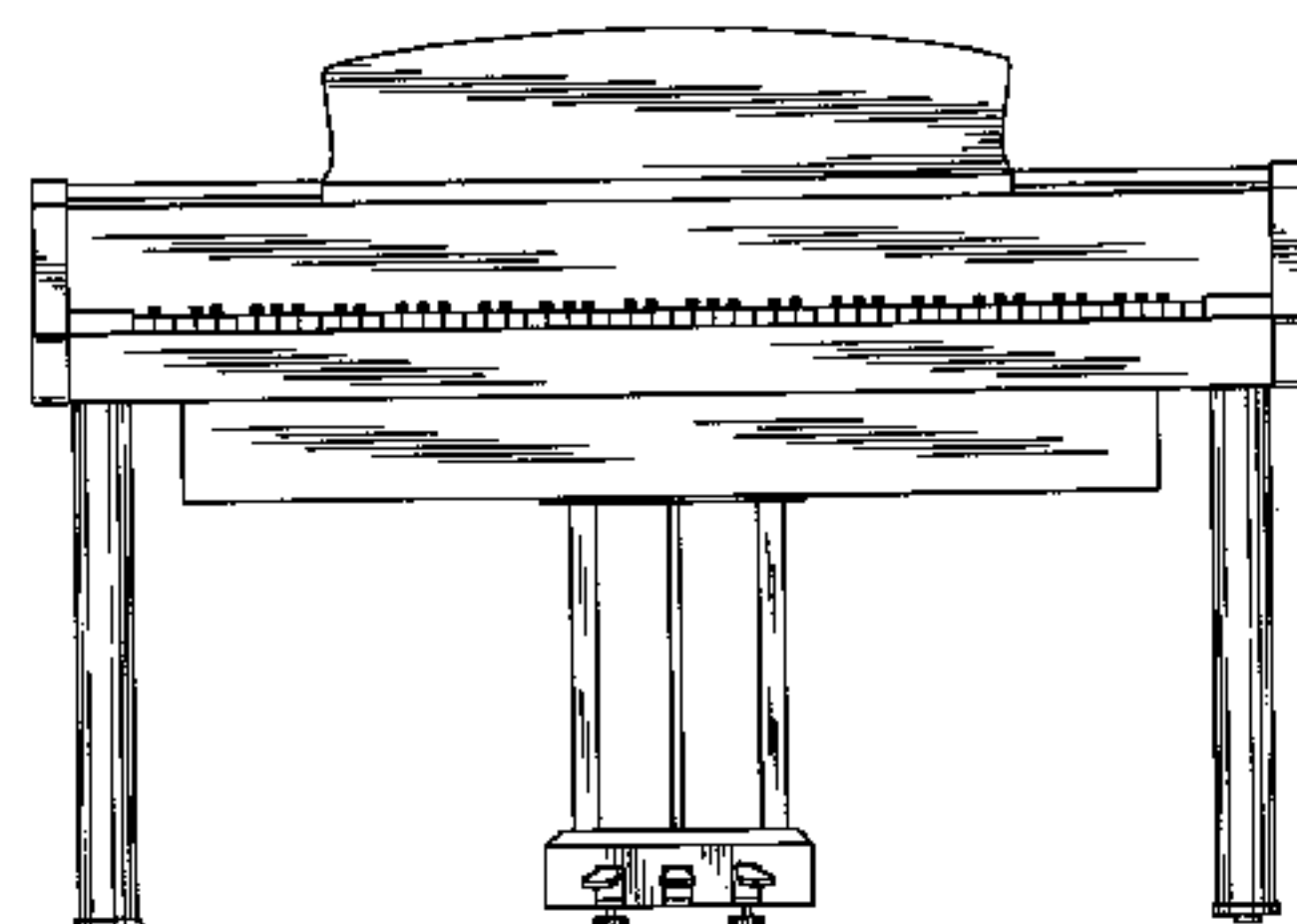
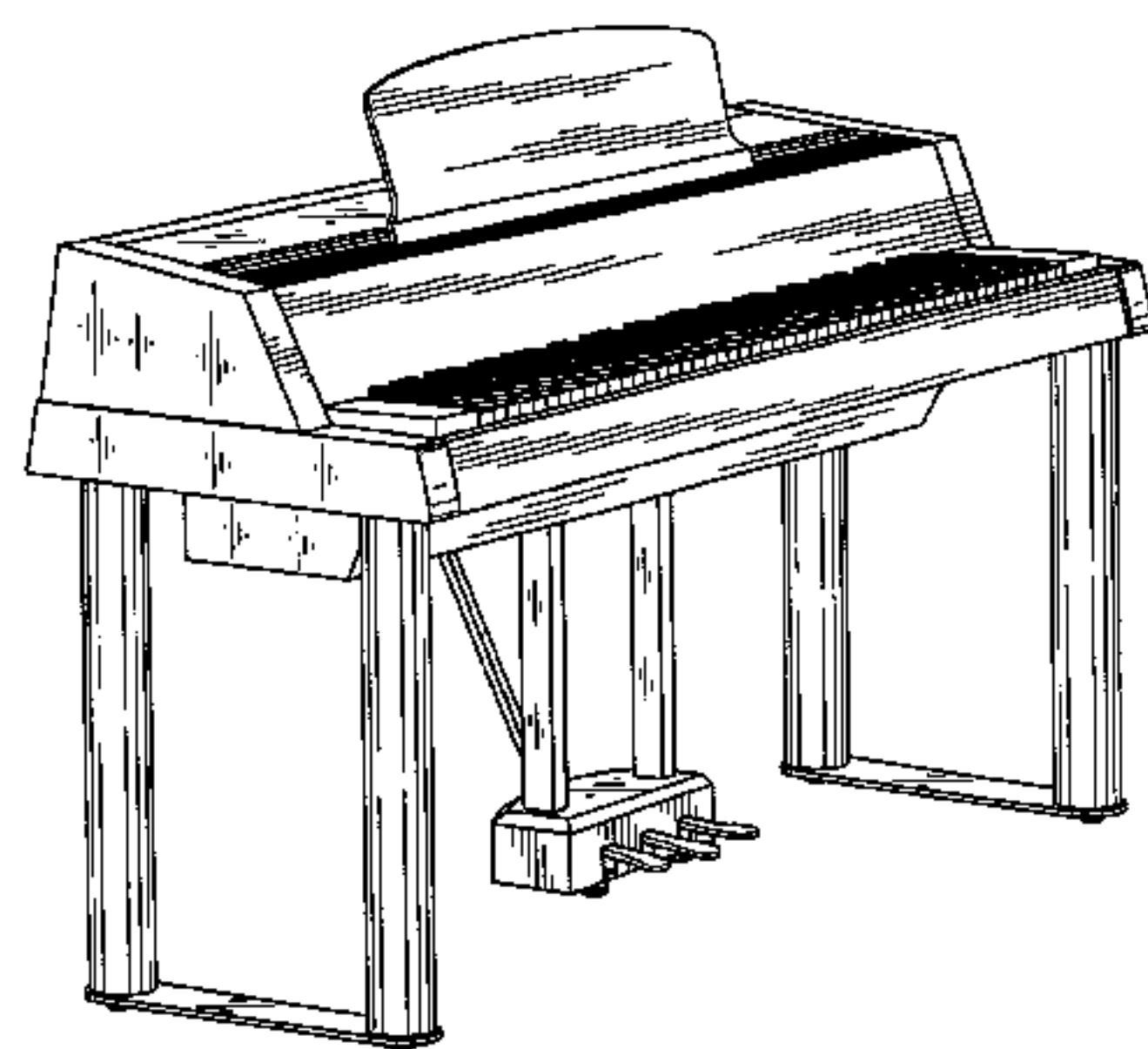


FIG. 1

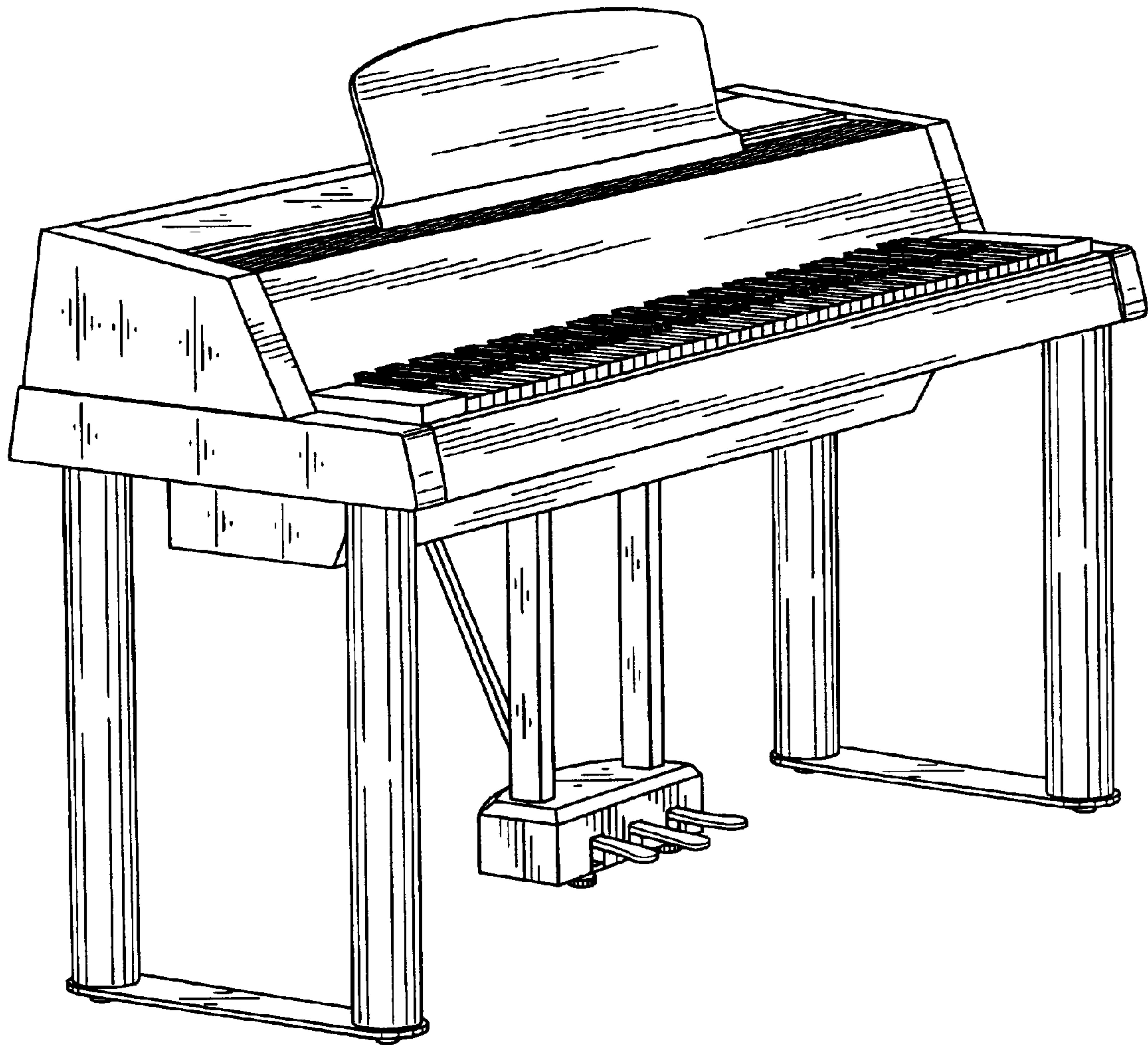


FIG. 2

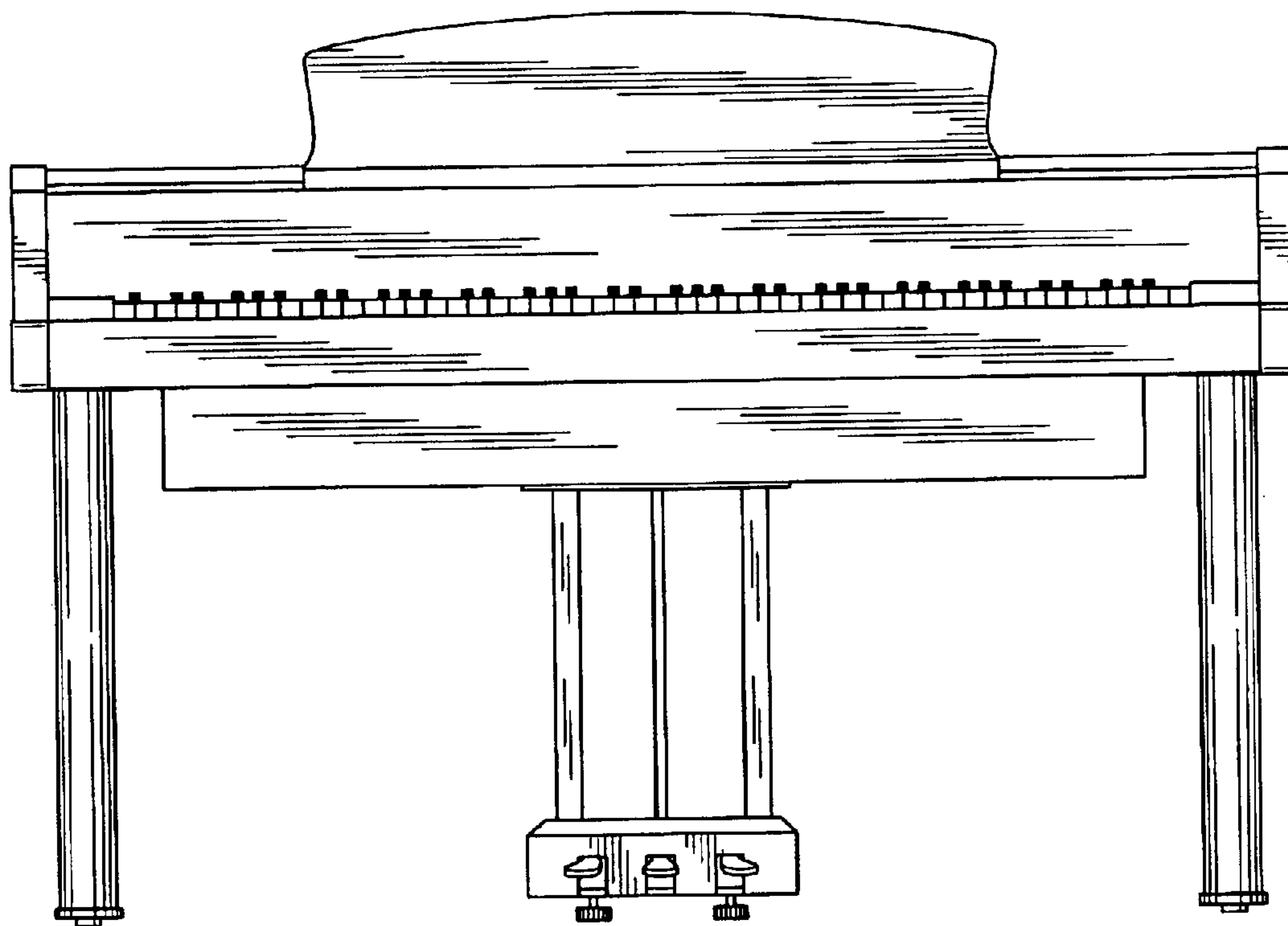


FIG. 3

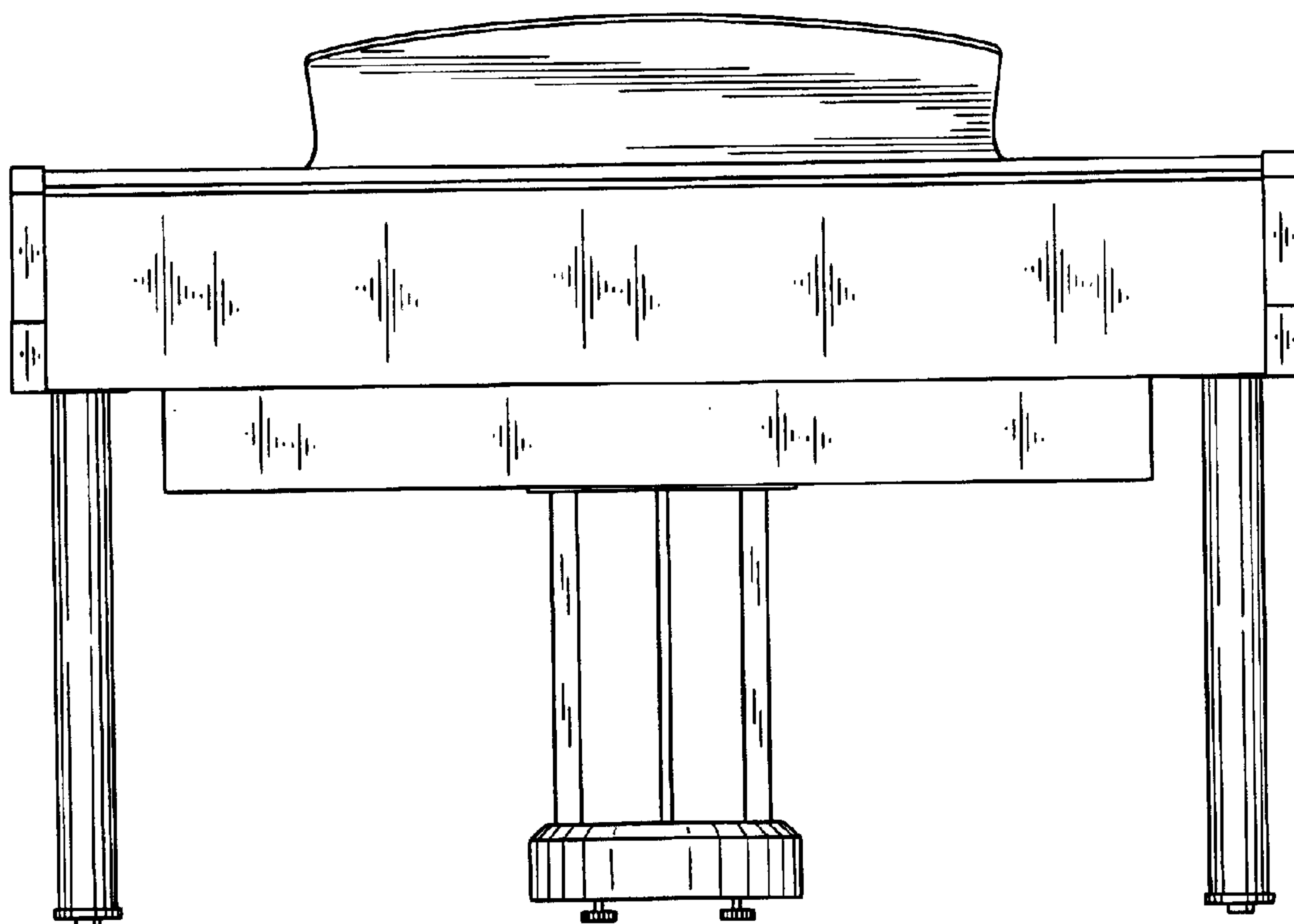


FIG. 4

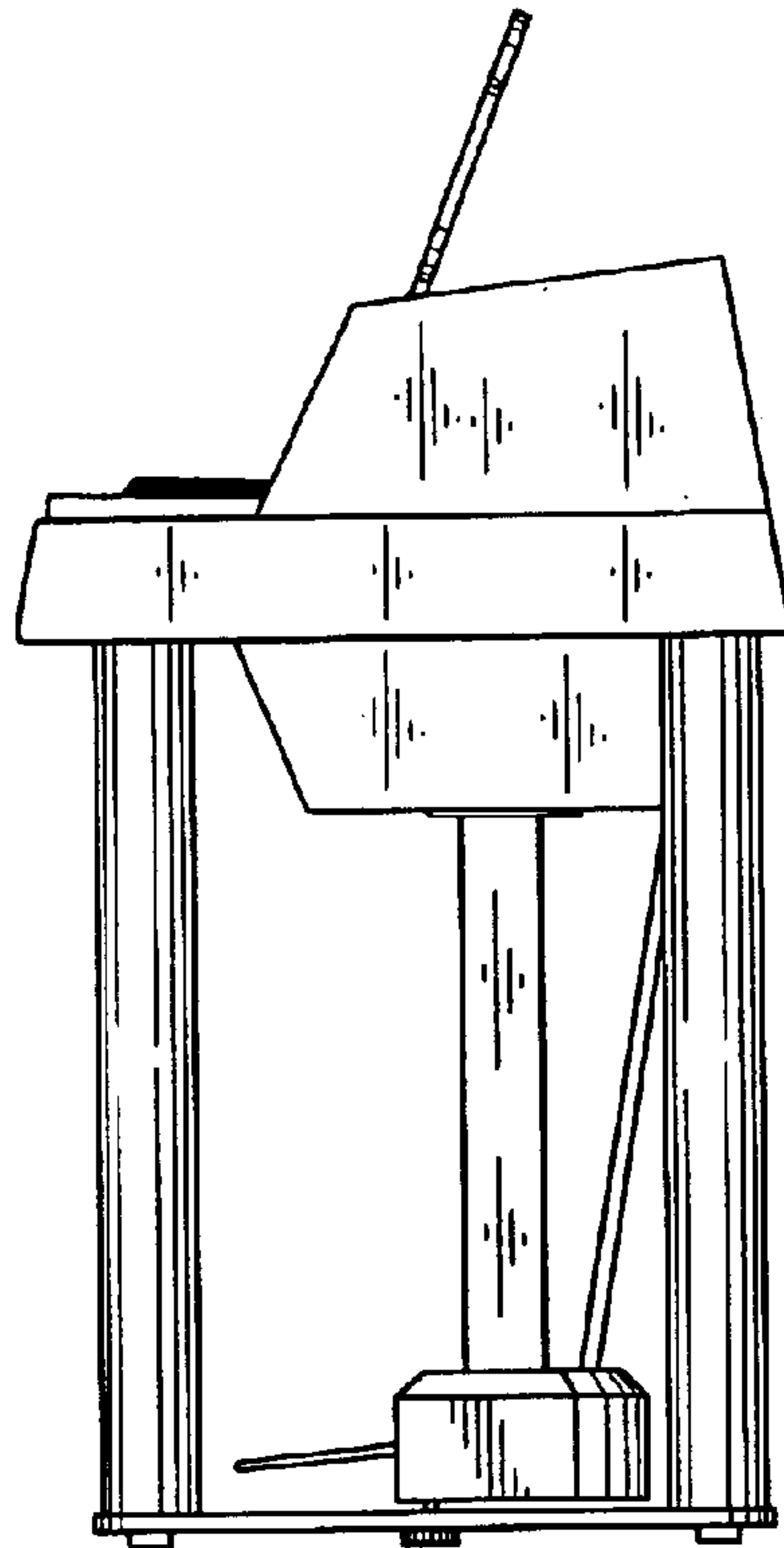


FIG. 5

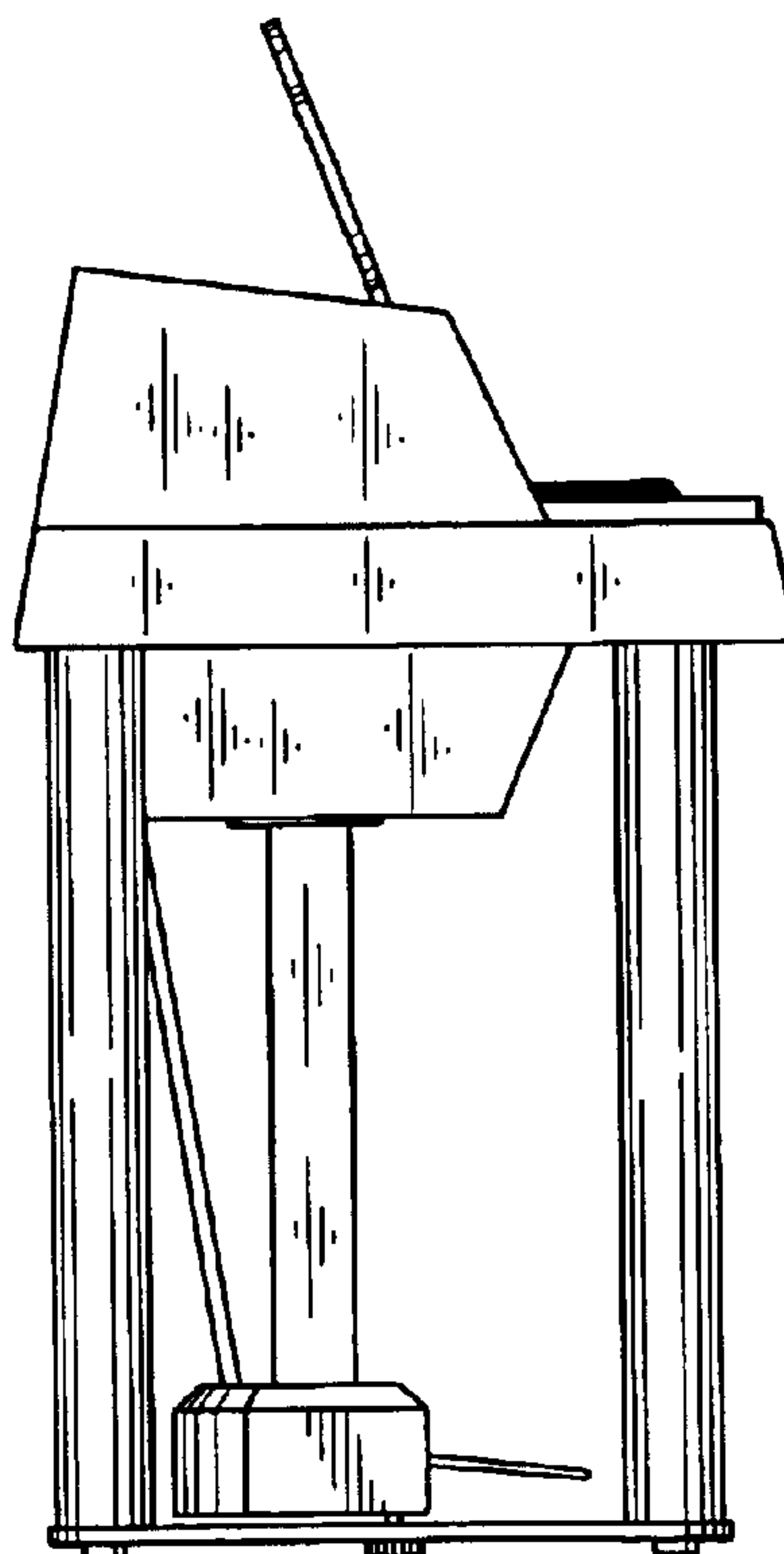


FIG. 6

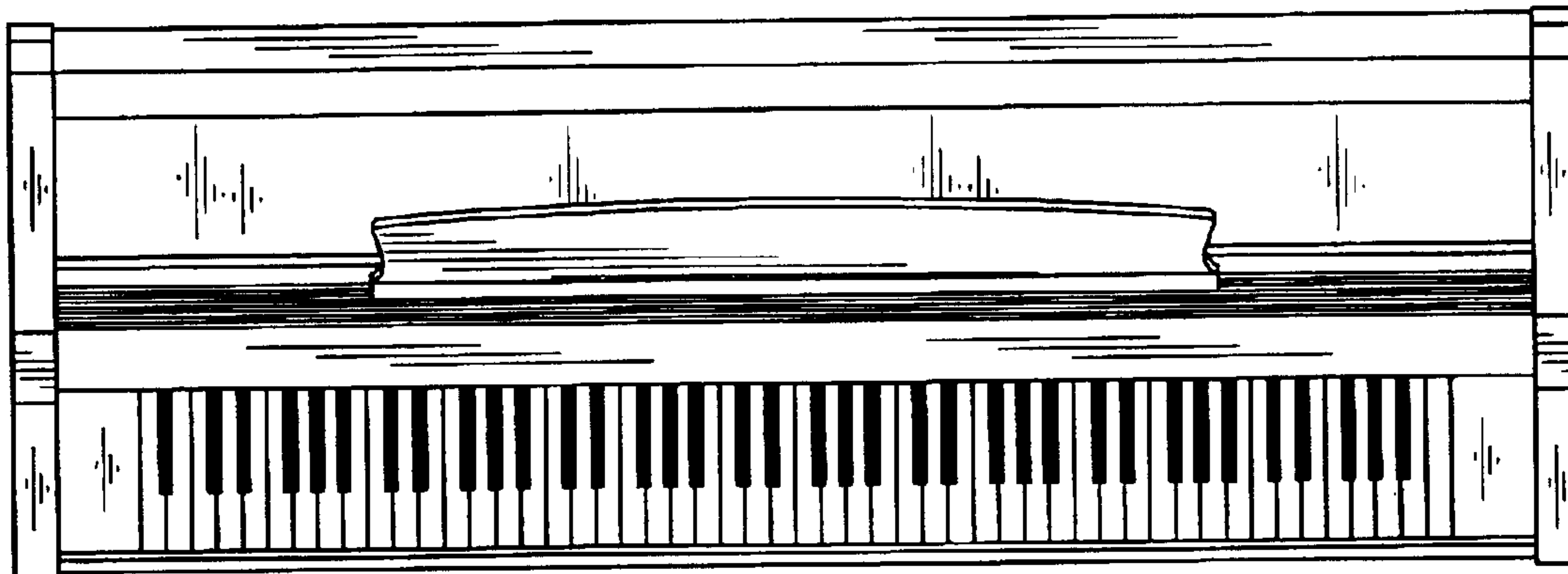


FIG. 7

