



US00D499439S

(12) **United States Design Patent**  
**Horikiri et al.**

(10) **Patent No.:** **US D499,439 S**

(45) **Date of Patent:** **\*\* Dec. 7, 2004**

(54) **ELECTRONIC CAMERA**

(75) Inventors: **Kazuhisa Horikiri**, Tokyo (JP);  
**Hiroyuki Sakai**, Tokyo (JP)

(73) Assignee: **Fuji Photo Film Co., Ltd.**, Kanagawa  
(JP)

(\*\*) Term: **14 Years**

(21) Appl. No.: **29/199,870**

(22) Filed: **Feb. 23, 2004**

(30) **Foreign Application Priority Data**

Sep. 30, 2003 (JP) ..... 2003-028706

(51) **LOC (7) Cl.** ..... **16-01**

(52) **U.S. Cl.** ..... **D16/202**

(58) **Field of Search** ..... D16/200-205,  
D16/208, 218; 348/373-376; 358/906, 909.1;  
396/535-541

(56) **References Cited**

**U.S. PATENT DOCUMENTS**

D407,097 S \* 3/1999 Suzuki et al. .... D16/202  
D431,582 S \* 10/2000 Sumita et al. .... D16/202

D488,495 S \* 4/2004 Shimizu ..... D16/202  
6,727,954 B1 \* 4/2004 Okada et al. .... 348/374  
D493,810 S \* 8/2004 Katayama ..... D16/202

\* cited by examiner

*Primary Examiner*—Adir Aronovich

(74) *Attorney, Agent, or Firm*—Young & Thompson

(57) **CLAIM**

The ornamental design for an electronic camera, as shown and described.

**DESCRIPTION**

FIG. 1 is a top, front and side perspective view of an electronic camera showing my new design; FIG. 2 is a front elevational view thereof; FIG. 3 is a rear elevational view thereof; FIG. 4 is a top plan view thereof; FIG. 5 is a bottom plan view thereof; FIG. 6 is a side elevational view thereof from the left of FIG. 2; FIG. 7 is a side elevational view thereof from the right of FIG. 2; and, FIG. 8 is a view similar to FIG. 1, but with the parts in a different position.

**1 Claim, 4 Drawing Sheets**

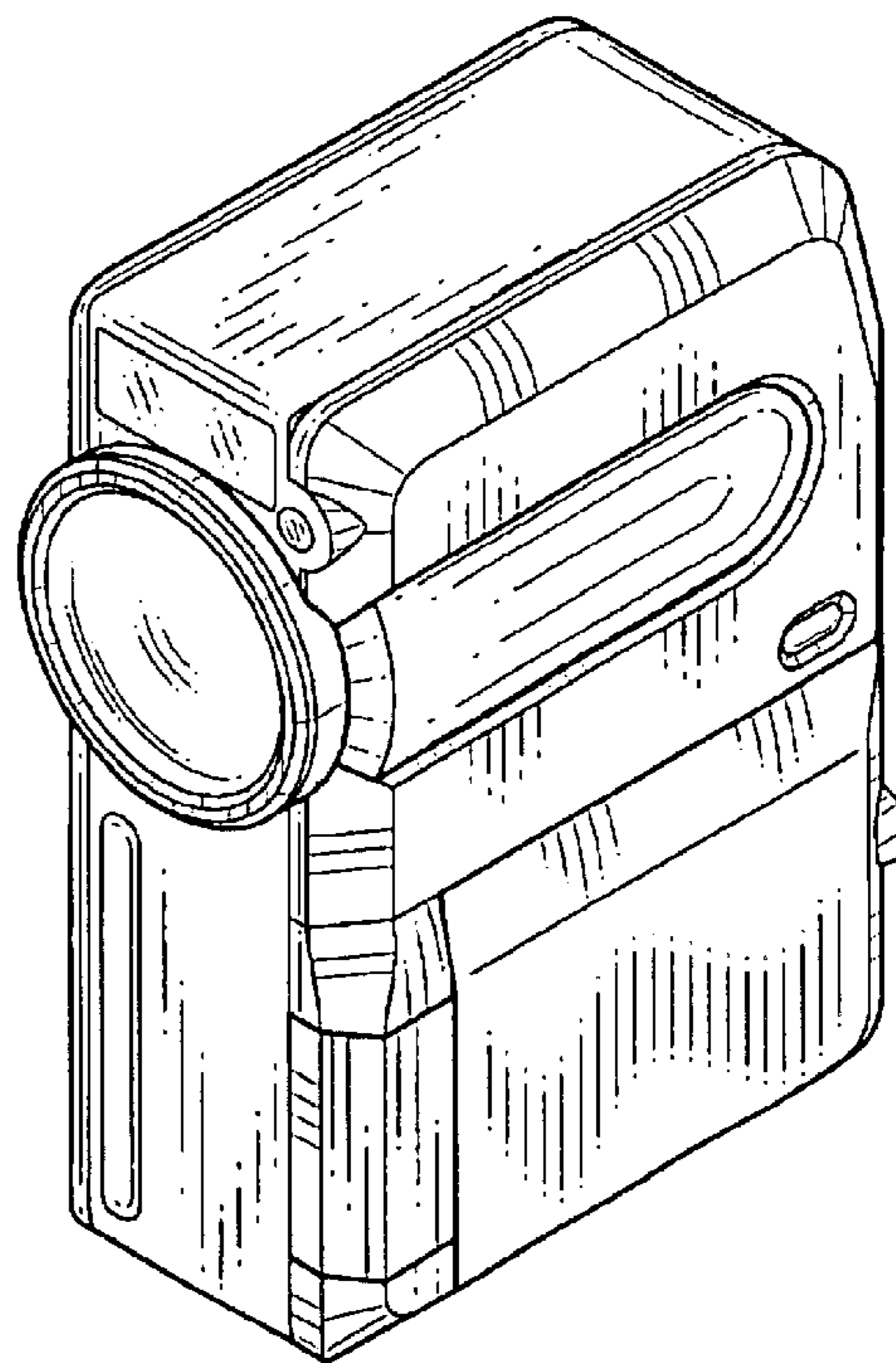
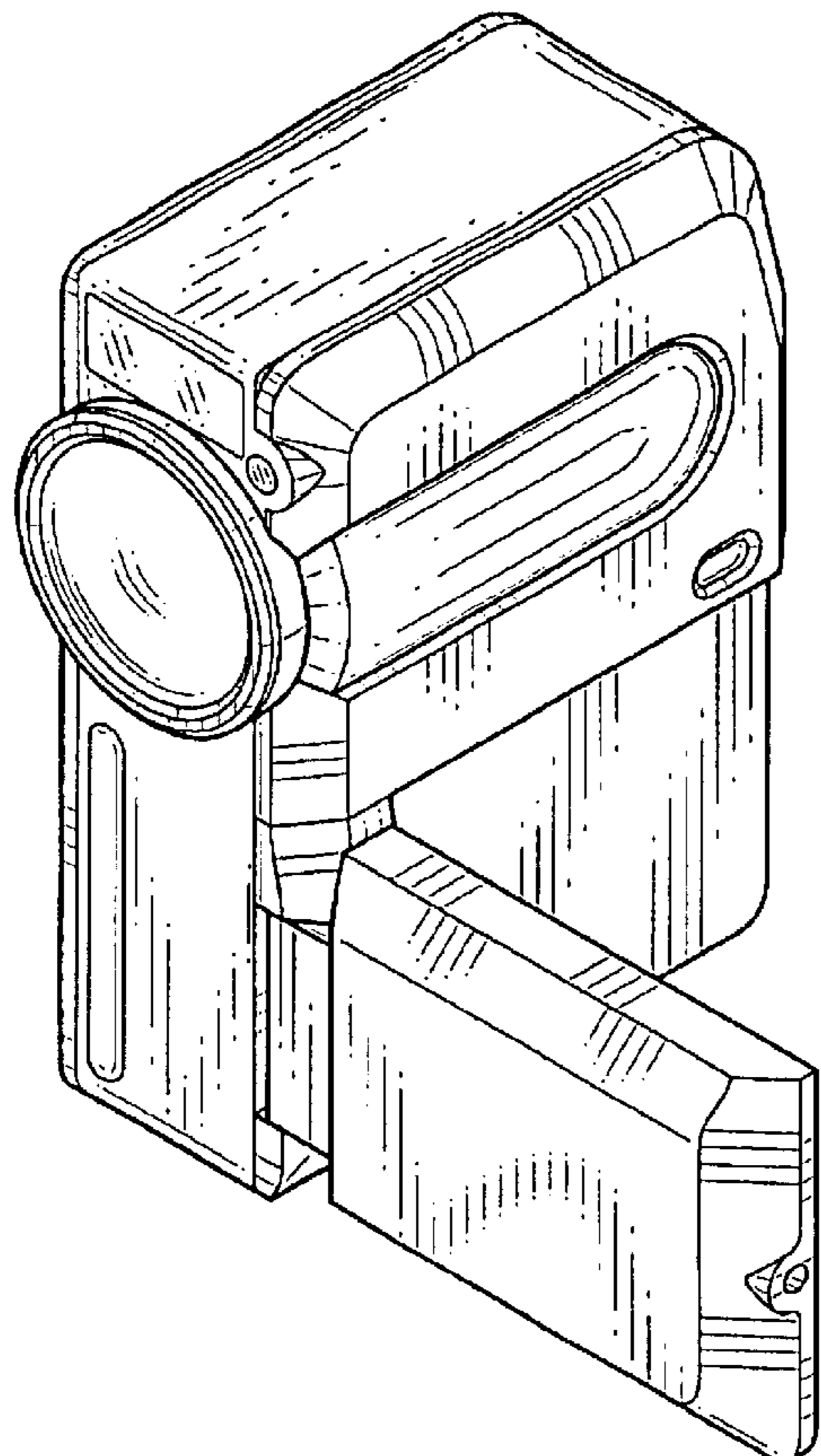


FIG.1

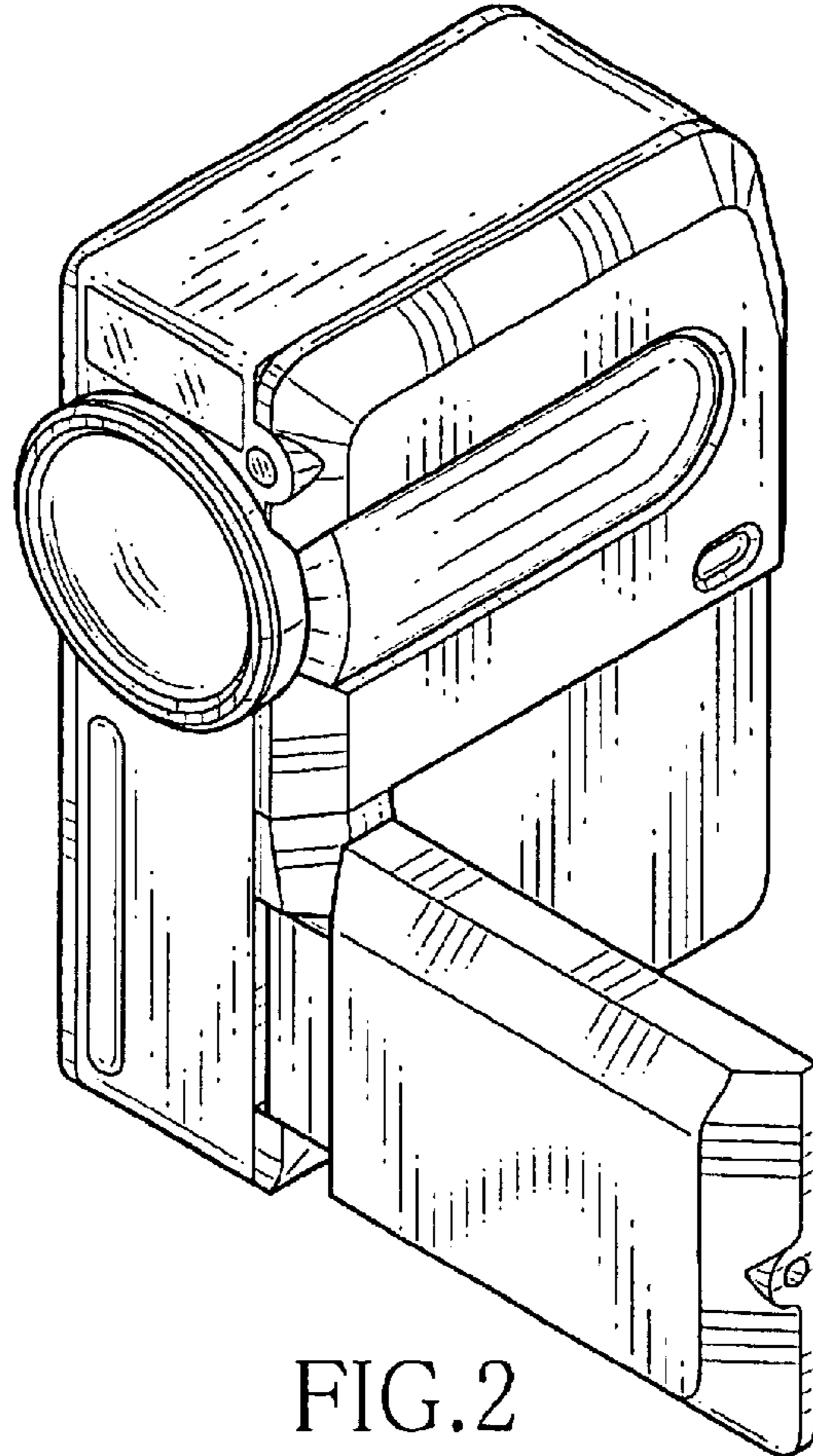


FIG.2

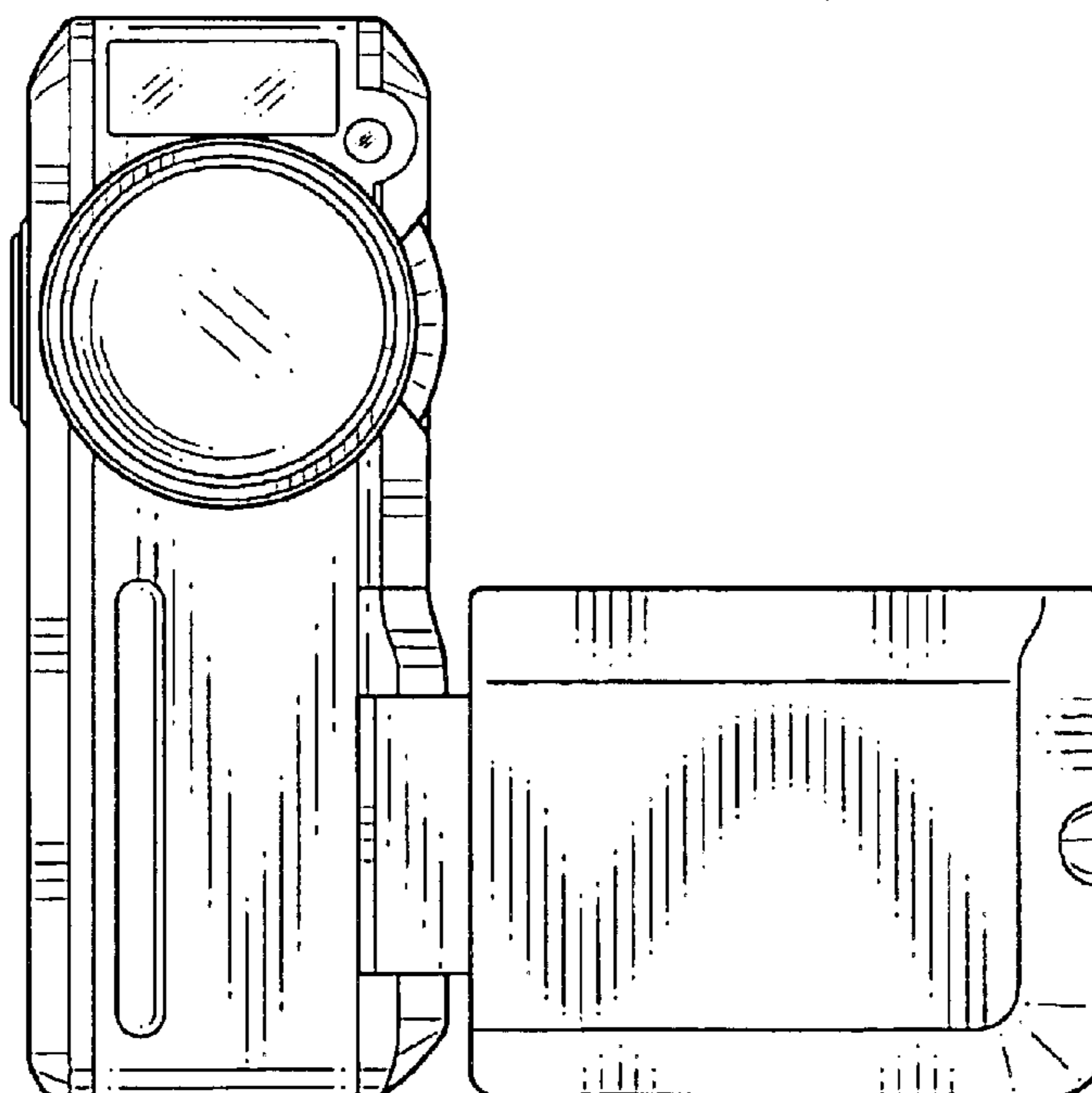


FIG.3

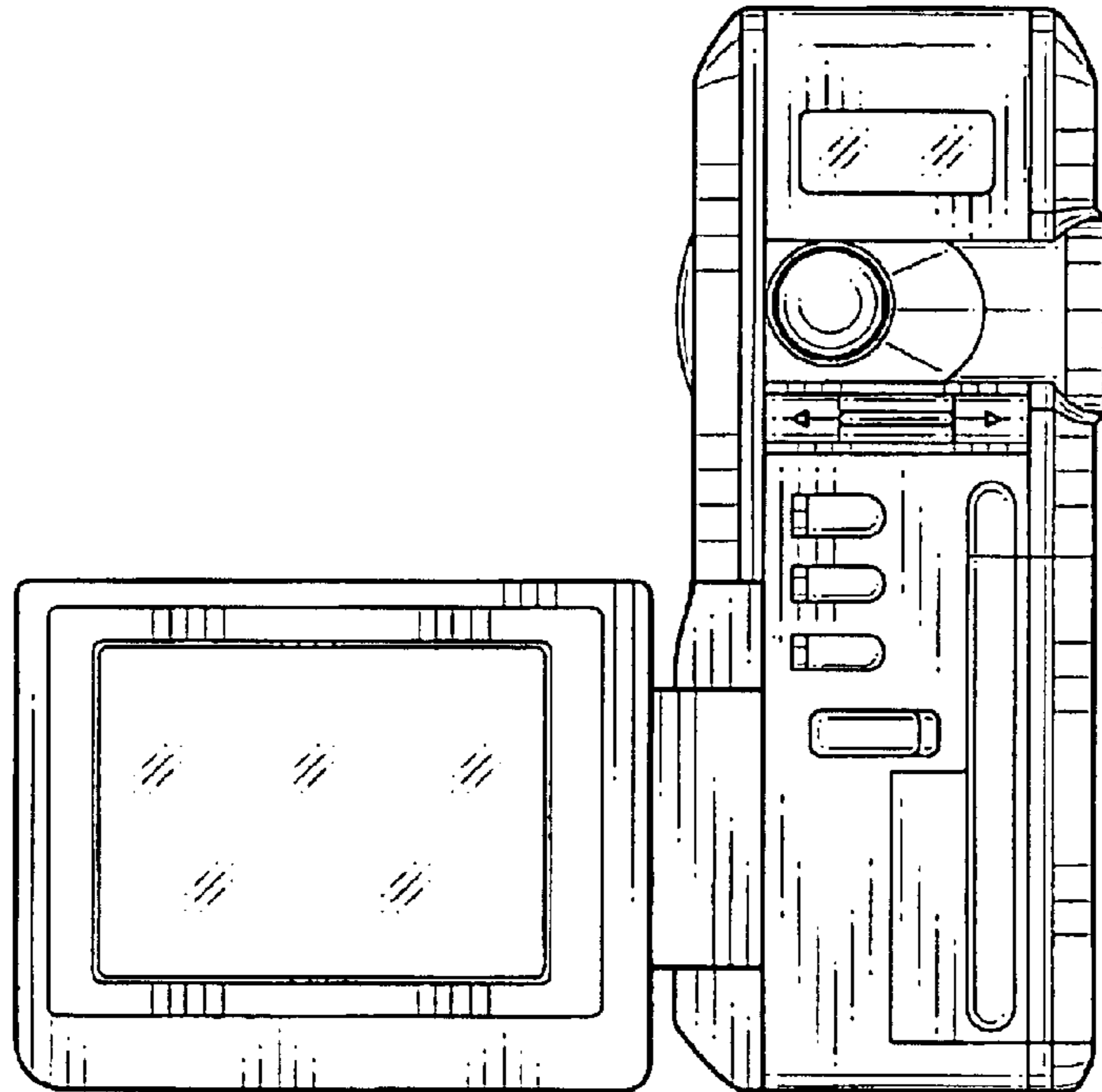


FIG.4

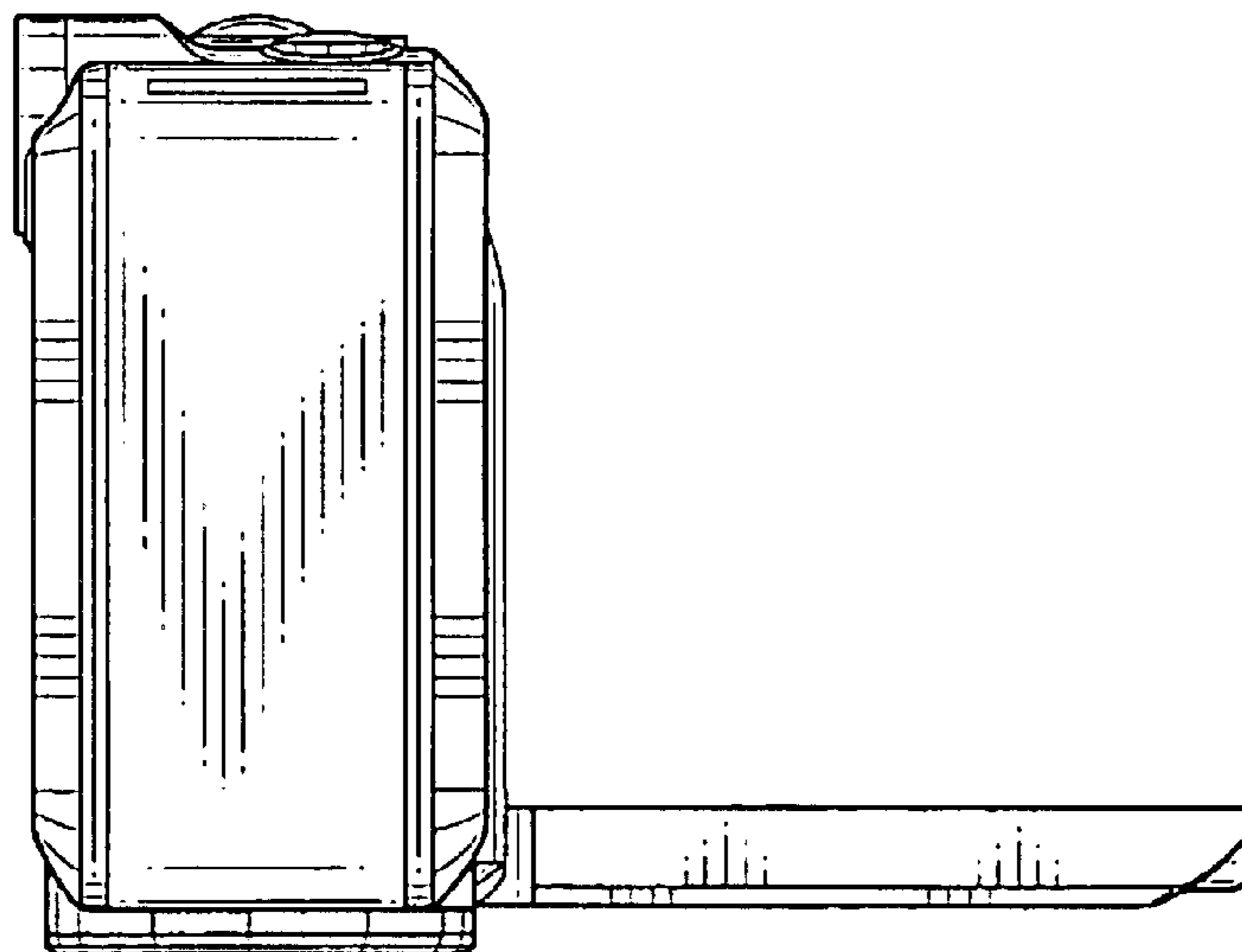


FIG.5

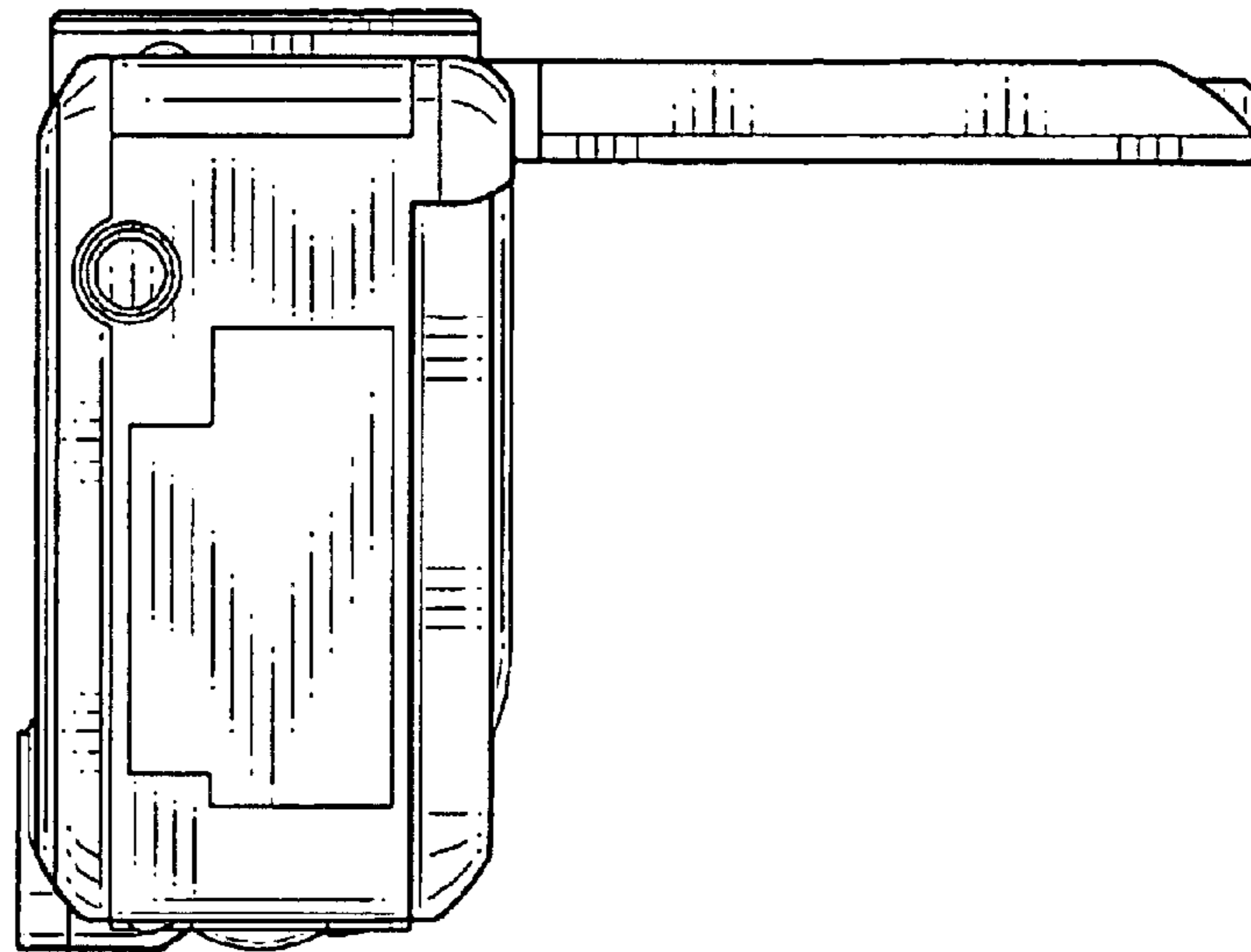


FIG.6

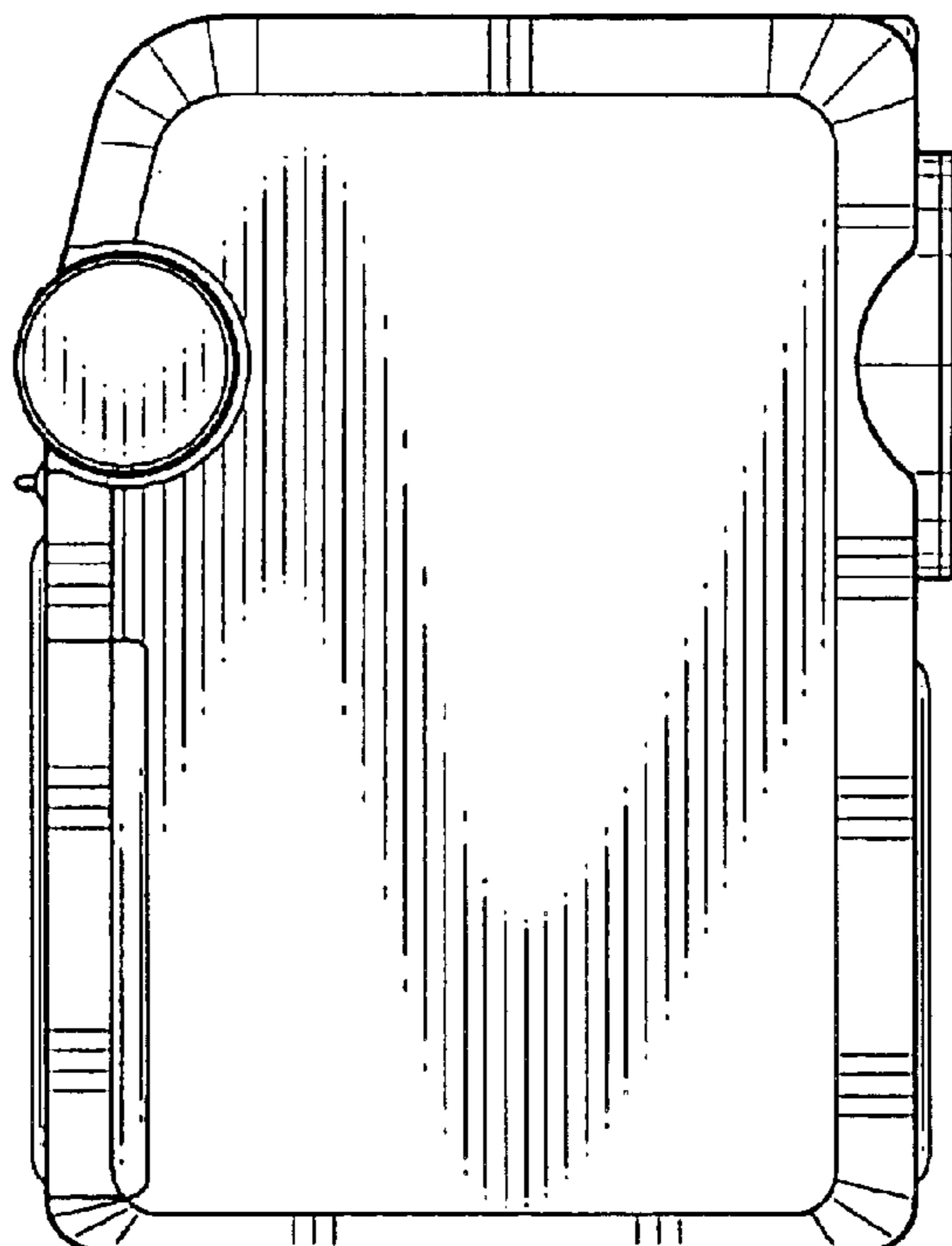




FIG.7

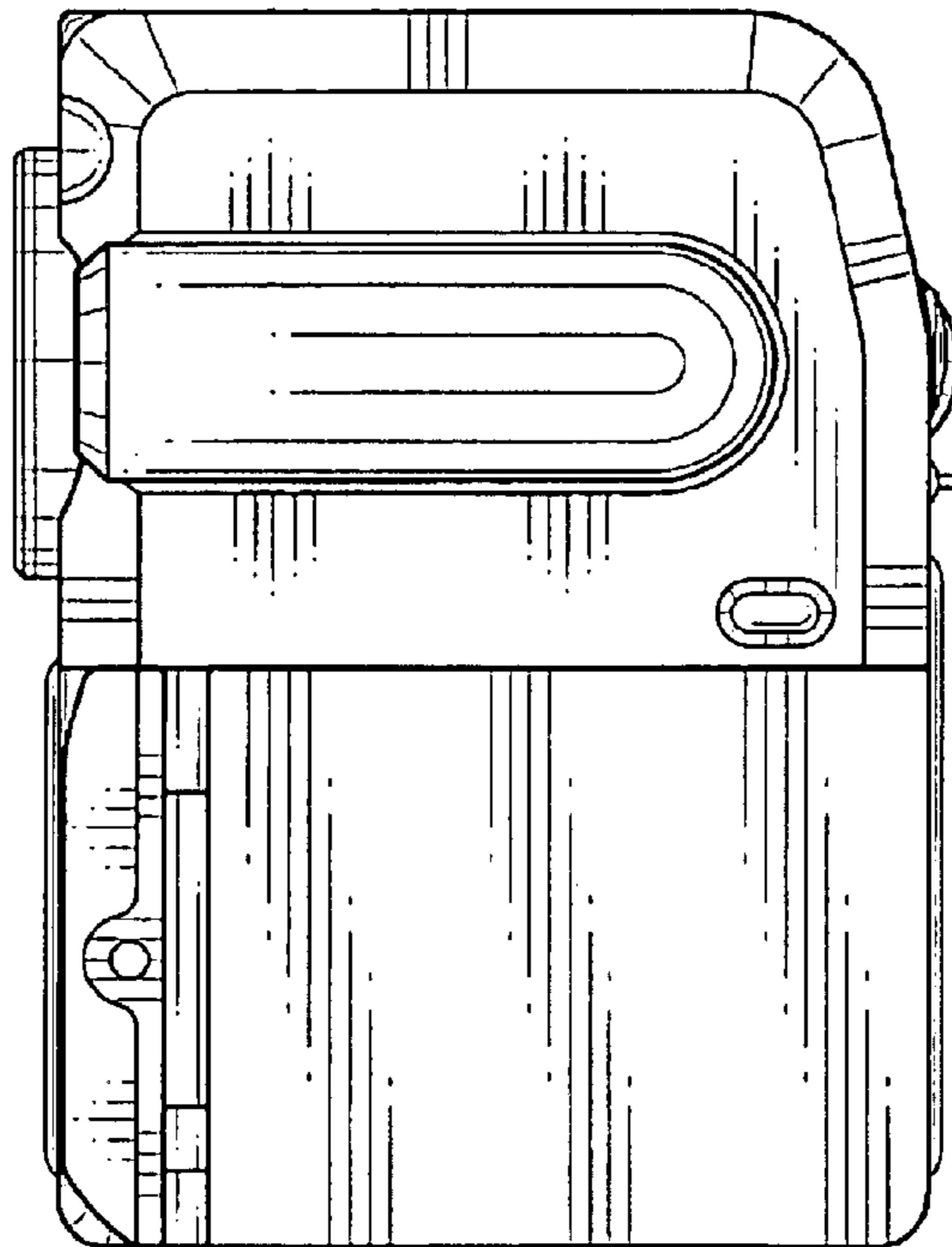


FIG.8

