

US00D499438S

(12) **United States Design Patent**
Shimizu

(10) **Patent No.:** **US D499,438 S**
(45) **Date of Patent:** **** Dec. 7, 2004**

(54) **COMBINED VIDEO CAMERA, VIDEO TAPE RECORDER AND STORAGE MEDIUM PLAYER/RECORDER**

(75) Inventor: **Minoru Shimizu**, Tokyo (JP)

(73) Assignee: **Sony Corporation**, Tokyo (JP)

(**) Term: **14 Years**

(21) Appl. No.: **29/199,590**

(22) Filed: **Feb. 19, 2004**

(51) **LOC (7) Cl.** **16-01**

(52) **U.S. Cl.** **D16/202**

(58) **Field of Search** D16/200–206,
D16/208, 218; 348/373–376; 358/906; 396/535–541

(56) **References Cited**

U.S. PATENT DOCUMENTS

D394,273 S	5/1998	Ishii	
D401,256 S	11/1998	Harata	
D407,097 S	* 3/1999	Suzuki et al.	D16/202
D410,662 S	6/1999	Harata	
D414,195 S	* 9/1999	Shiozaki et al.	D16/202
D423,541 S	* 4/2000	Ohwada	D16/202
D426,843 S	* 6/2000	Tanaka	D16/202
D431,582 S	* 10/2000	Sumita et al.	D16/202
D435,575 S	* 12/2000	Kanatani	D16/202
D439,263 S	* 3/2001	Shiotani	D16/202
D446,800 S	* 8/2001	Fukushima et al.	D16/202
D463,809 S	* 10/2002	Lo	D16/202
D477,343 S	* 7/2003	Miyashita	D16/202
D484,901 S	* 1/2004	Lim	D16/202
D488,495 S	* 4/2004	Shimizu	D16/202

OTHER PUBLICATIONS

Web page “Sony, DCR–TRV22K” www.yodobashi.com, 1 sheet, Yodobashi Camera (Dec. 2003).

Web page “Victor, GR–D90K” www.yodobashi.com, 1 sheet, Yodobashi Camera (Dec. 2003).

Web page “Victor, GR–D33–H” www.yodobashi.com, 1 sheet, Yodobashi Camera (Dec. 2003).

Web page “Sharp, VL–Z5” www.yodobashi.com, 1 sheet, Yodobashi Camera (Dec. 2003).

Web page “HITACHI Inspire the Next, DZ–MV350”, 1 sheet, Hitachi Ltd. (2003).

* cited by examiner

Primary Examiner—Adir Aronovich

(74) *Attorney, Agent, or Firm*—Rader, Fishman & Grauer PLLC

(57) **CLAIM**

The ornamental design for a combined video camera, video tape recorder and storage medium player/recorder, as shown.

DESCRIPTION

FIG. 1 is a perspective view of a combined video camera, video tape recorder and storage medium player/recorder showing my new design;

FIG. 2 is a front elevational view thereof;

FIG. 3 is a rear elevational view thereof;

FIG. 4 is a left side elevational view thereof;

FIG. 5 is a right side elevational view thereof;

FIG. 6 is a top plan view thereof; and,

FIG. 7 is a bottom plan view thereof.

1 Claim, 4 Drawing Sheets

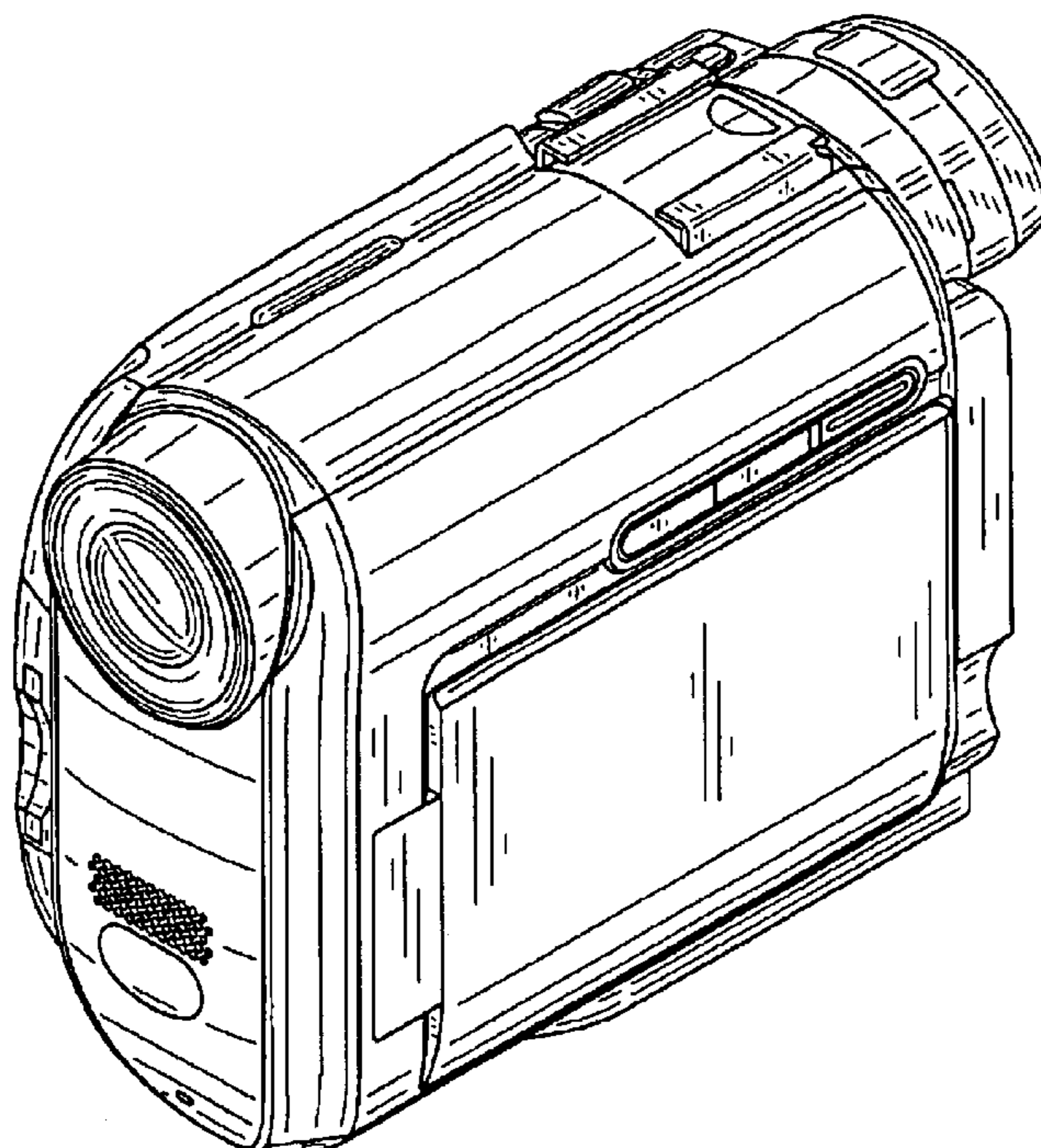


Fig. 1

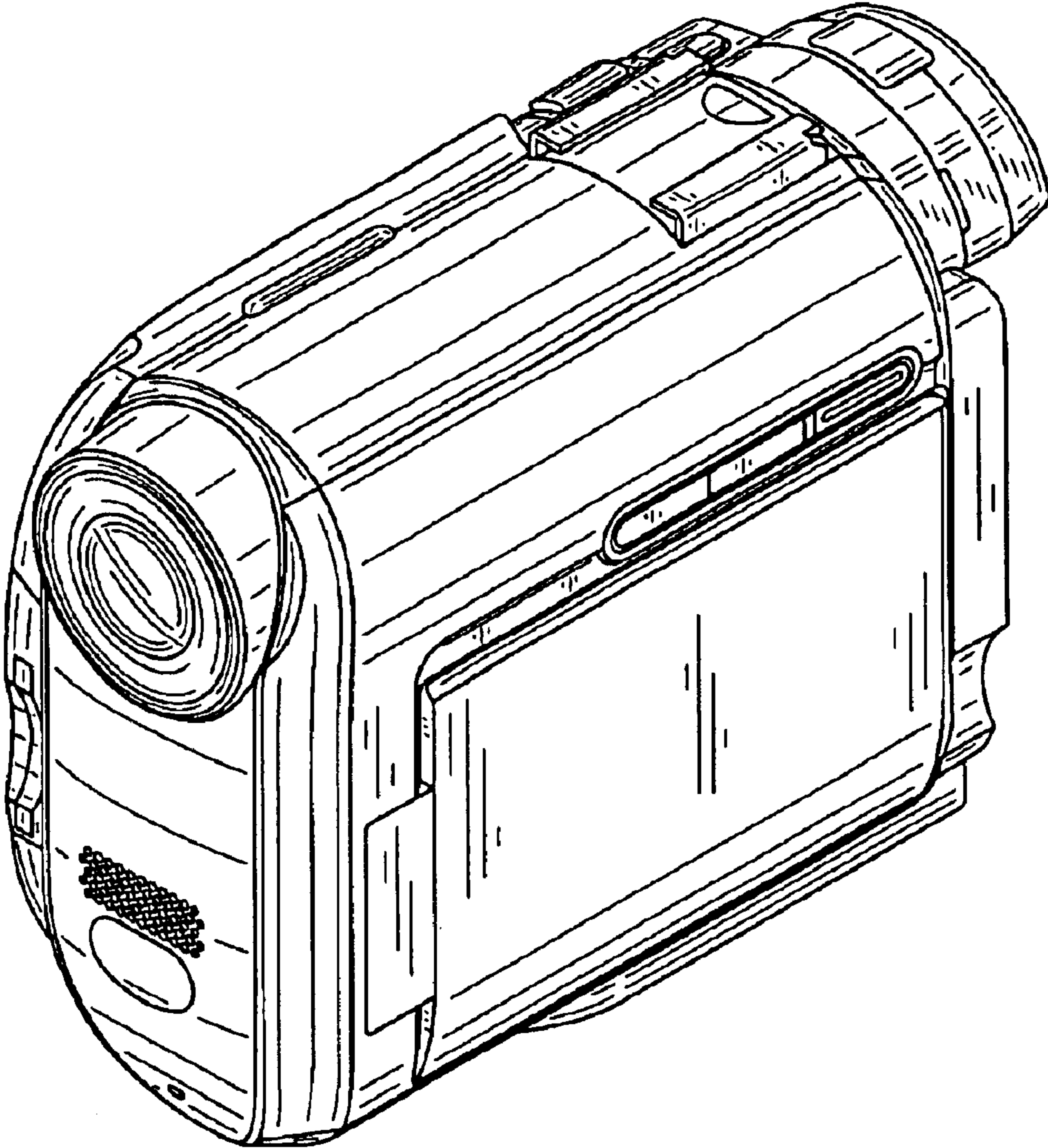


Fig.2

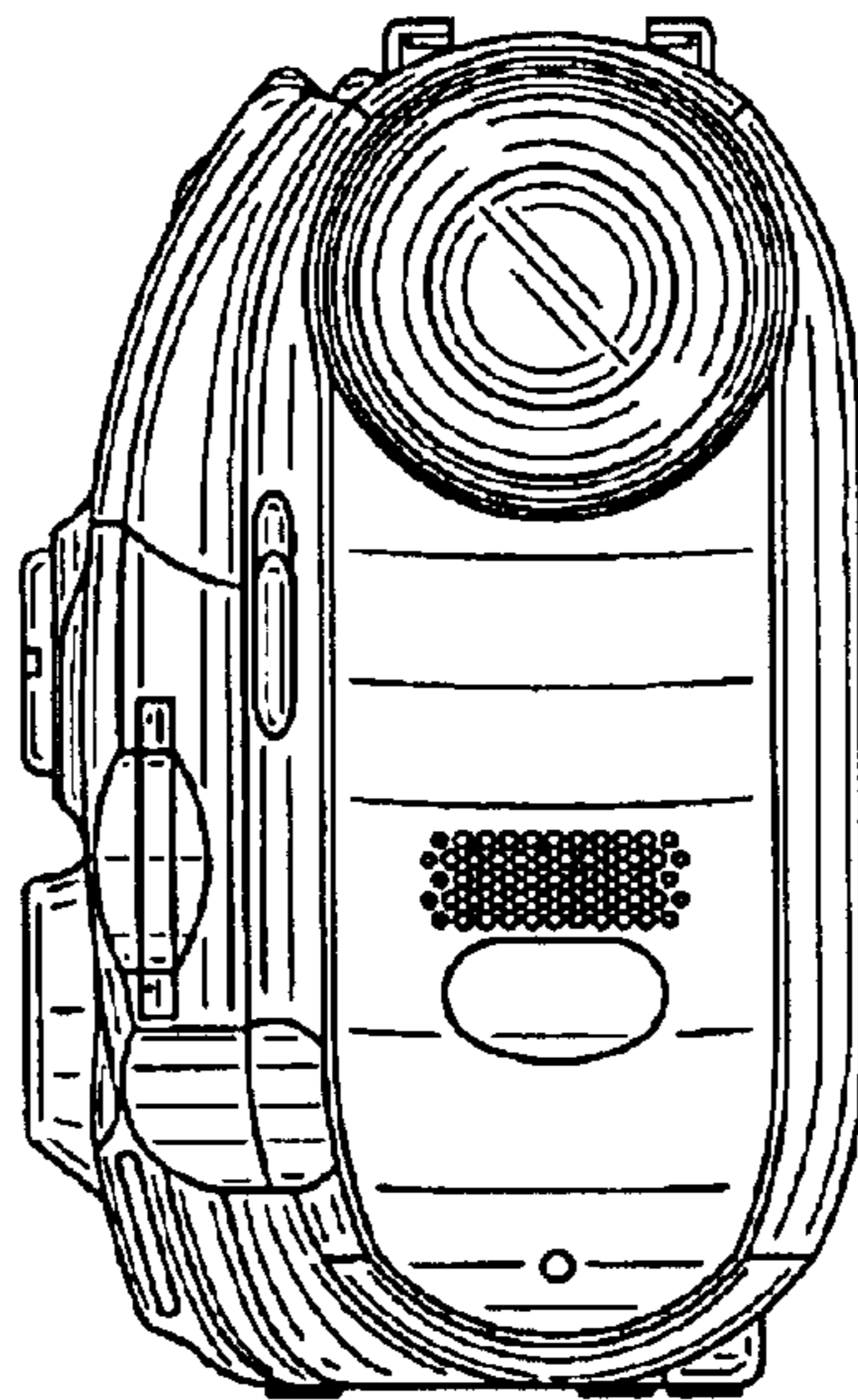


Fig.3

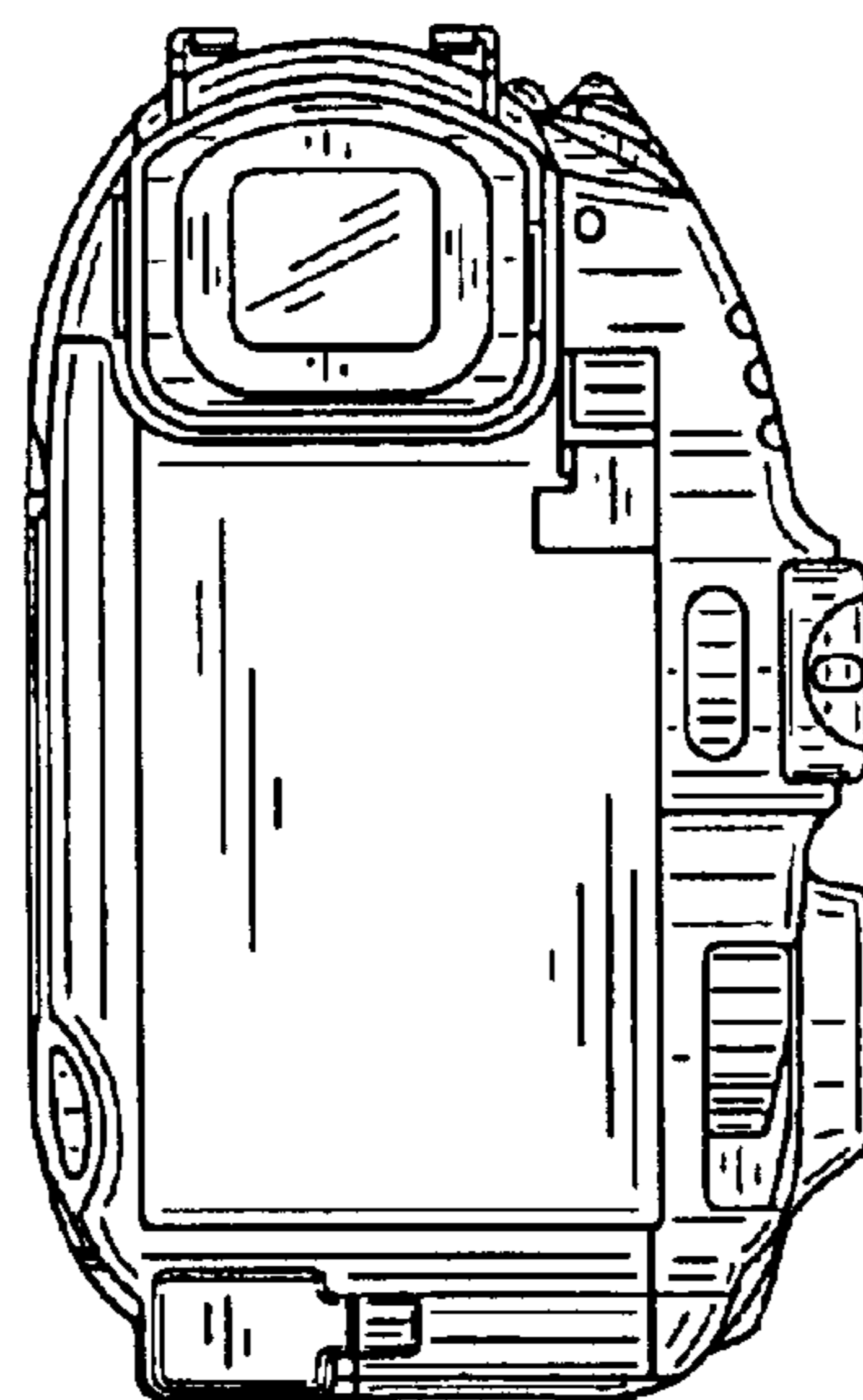


Fig.4

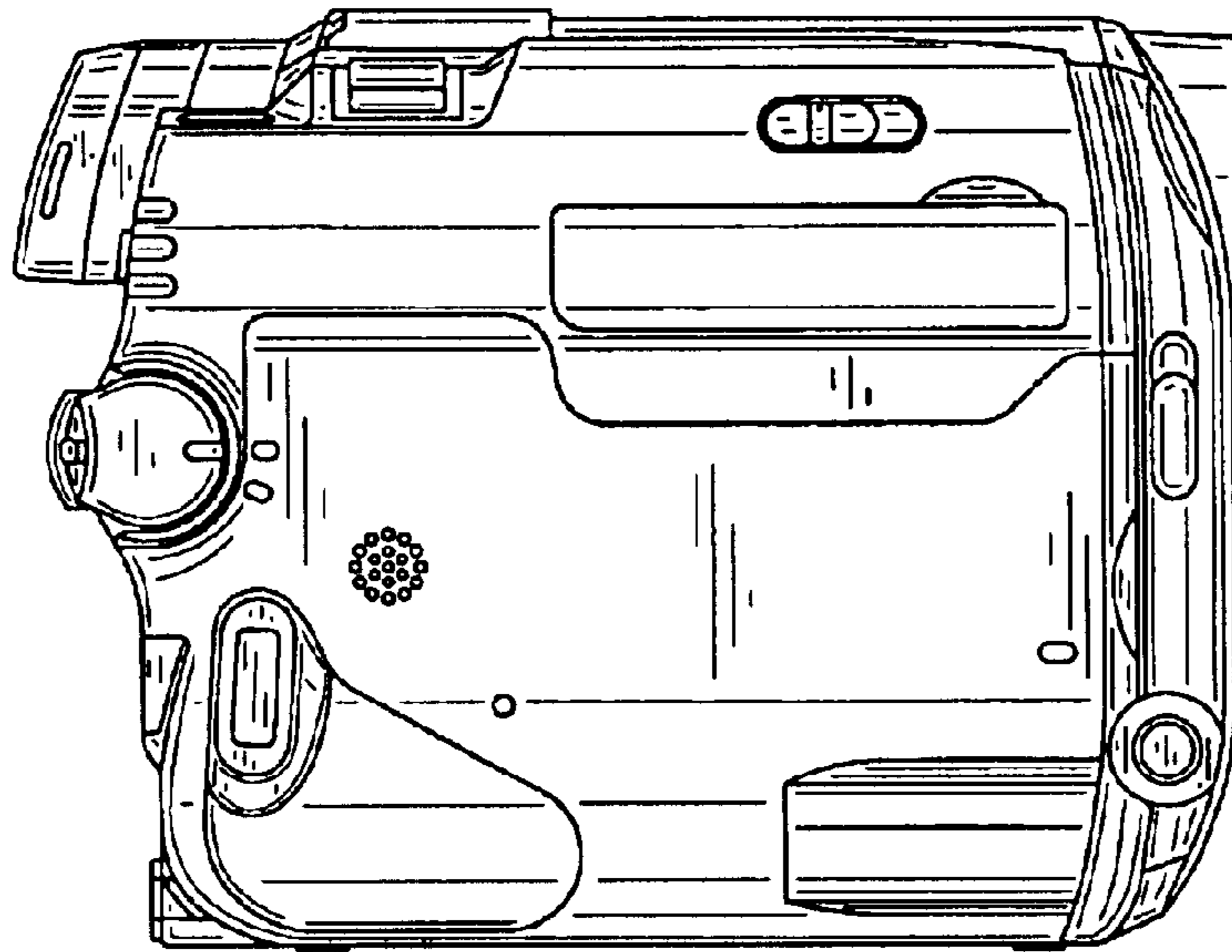


Fig.5

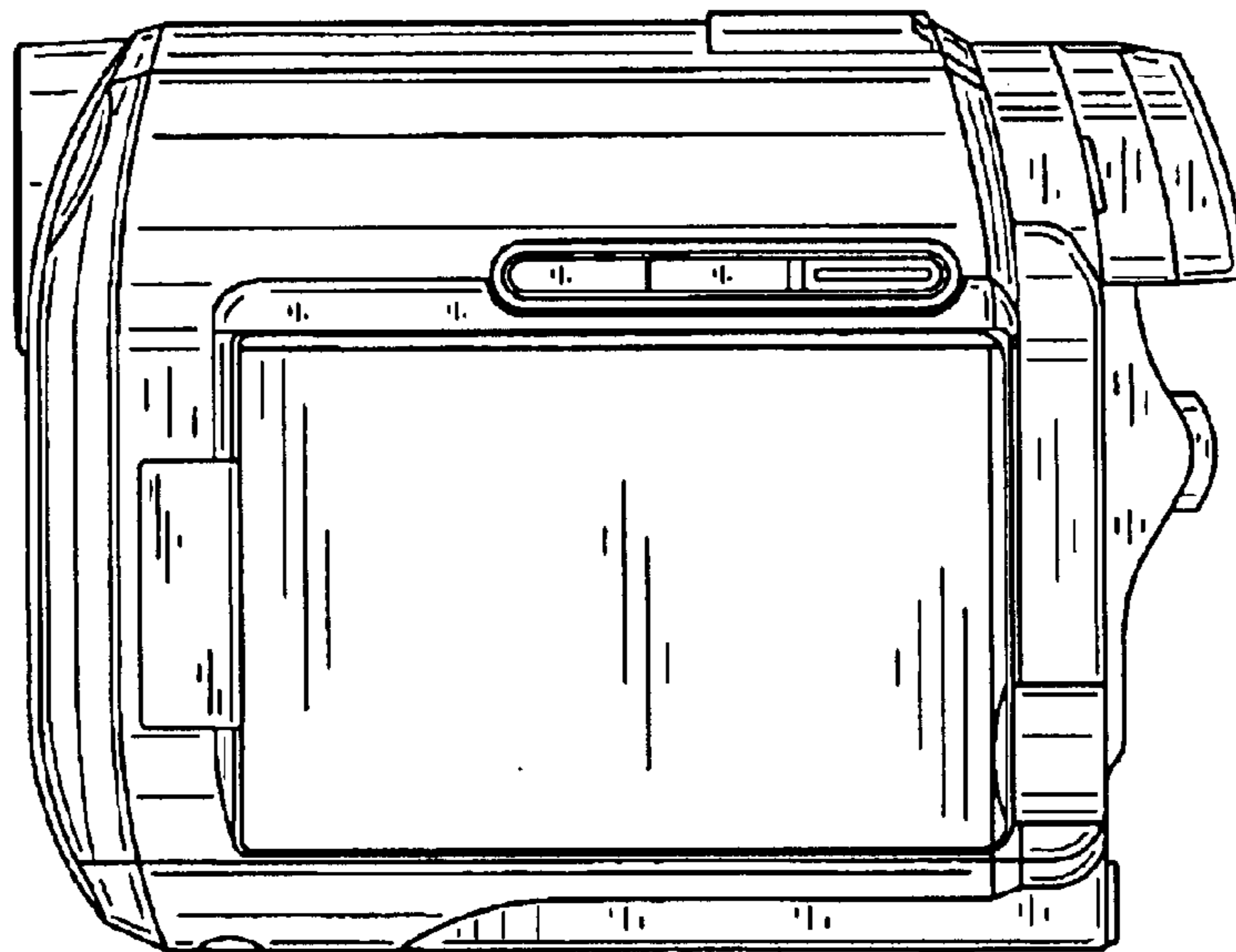


Fig.6

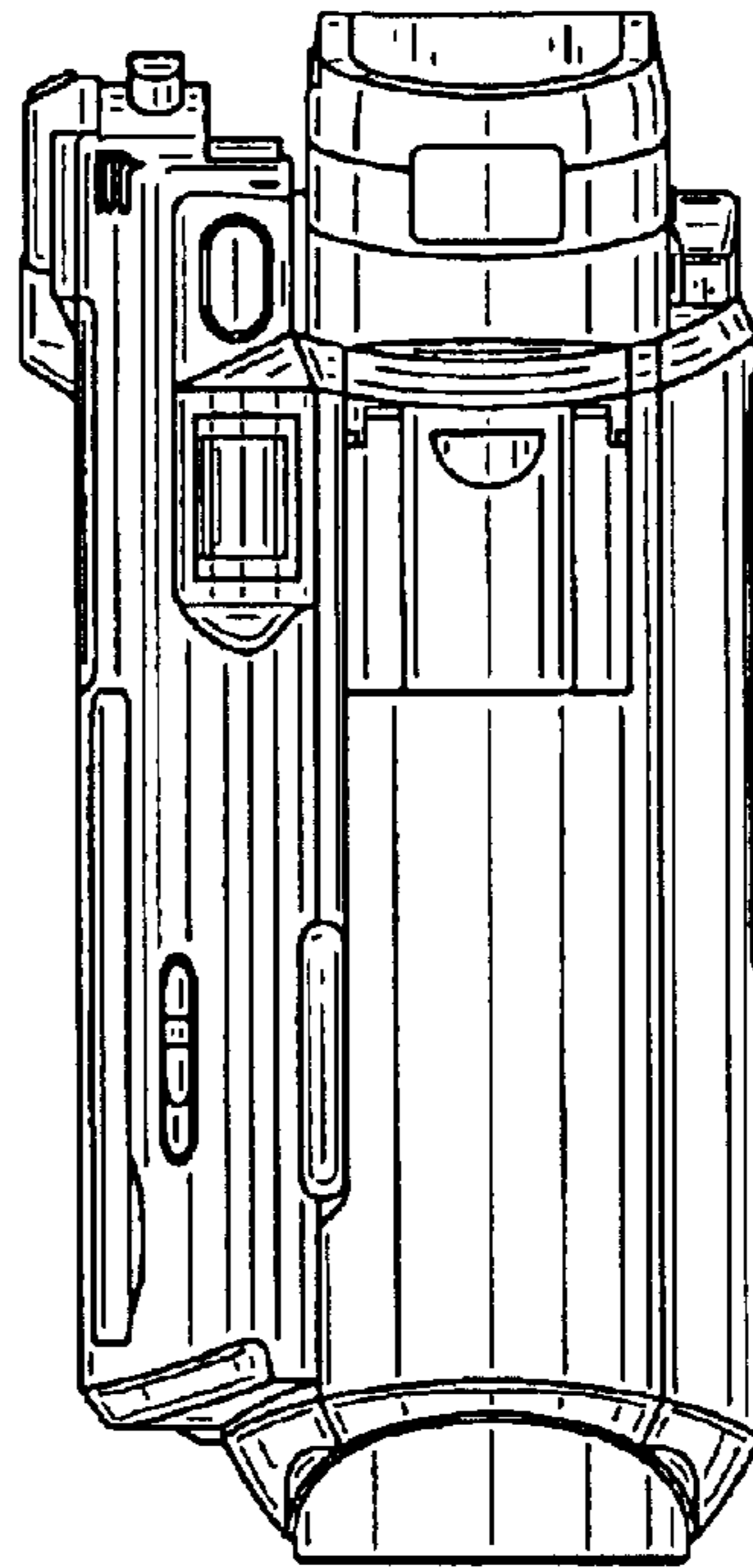


Fig.7

