

US00D499436S

(12) **United States Design Patent**
Burr

(10) **Patent No.:** **US D499,436 S**

(45) **Date of Patent:** **** Dec. 7, 2004**

(54) **BINOCULAR TELESCOPE**

(76) **Inventor:** **James D. Burr**, 1960 Jefferson Co. Rd.
23, Evergreen, CO (US) 80439

(**) **Term:** **14 Years**

(21) **Appl. No.:** **29/182,381**

(22) **Filed:** **May 23, 2003**

(51) **LOC (7) Cl.** **16-06**

(52) **U.S. Cl.** **D16/133**

(58) **Field of Search** **D16/130-136;**
359/373, 408, 416, 694, 823

(56) **References Cited**

U.S. PATENT DOCUMENTS

3,851,952 A	12/1974	Werz et al.	
4,080,042 A *	3/1978	Hornschu et al.	359/416
RE30,665 E *	7/1981	Altenheiner et al.	359/416
D272,362 S *	1/1984	Hengst et al.	D16/133
4,478,491 A	10/1984	Kawai	
D286,644 S	11/1986	Burr	
4,640,578 A	2/1987	Turner et al.	
D292,412 S *	10/1987	Janke et al.	D16/133
D295,871 S	5/1988	Charles	
D298,261 S *	10/1988	Ogasawara	D16/133
4,807,985 A	2/1989	Feinbloom	
4,884,882 A	12/1989	Schnarch	
4,893,899 A	1/1990	Huckenbeck	
4,929,073 A	5/1990	La Plante et al.	
D311,411 S	10/1990	Sato	
4,961,115 A	10/1990	Jessop	
4,993,801 A	2/1991	Sarraf	
5,053,794 A	10/1991	Benz	

5,221,997 A	6/1993	Kamir	
5,303,090 A	4/1994	Burr et al.	
D347,649 S *	6/1994	Hashimoto et al.	D16/133
D352,049 S	11/1994	Burr et al.	
6,069,754 A	5/2000	Schmidt	
6,157,482 A *	12/2000	Koide	359/408
6,297,917 B1	10/2001	Burr	

* cited by examiner

Primary Examiner—Paula A. Greene

(74) *Attorney, Agent, or Firm*—Kolisch Hartwell, P.C.

(57) **CLAIM**

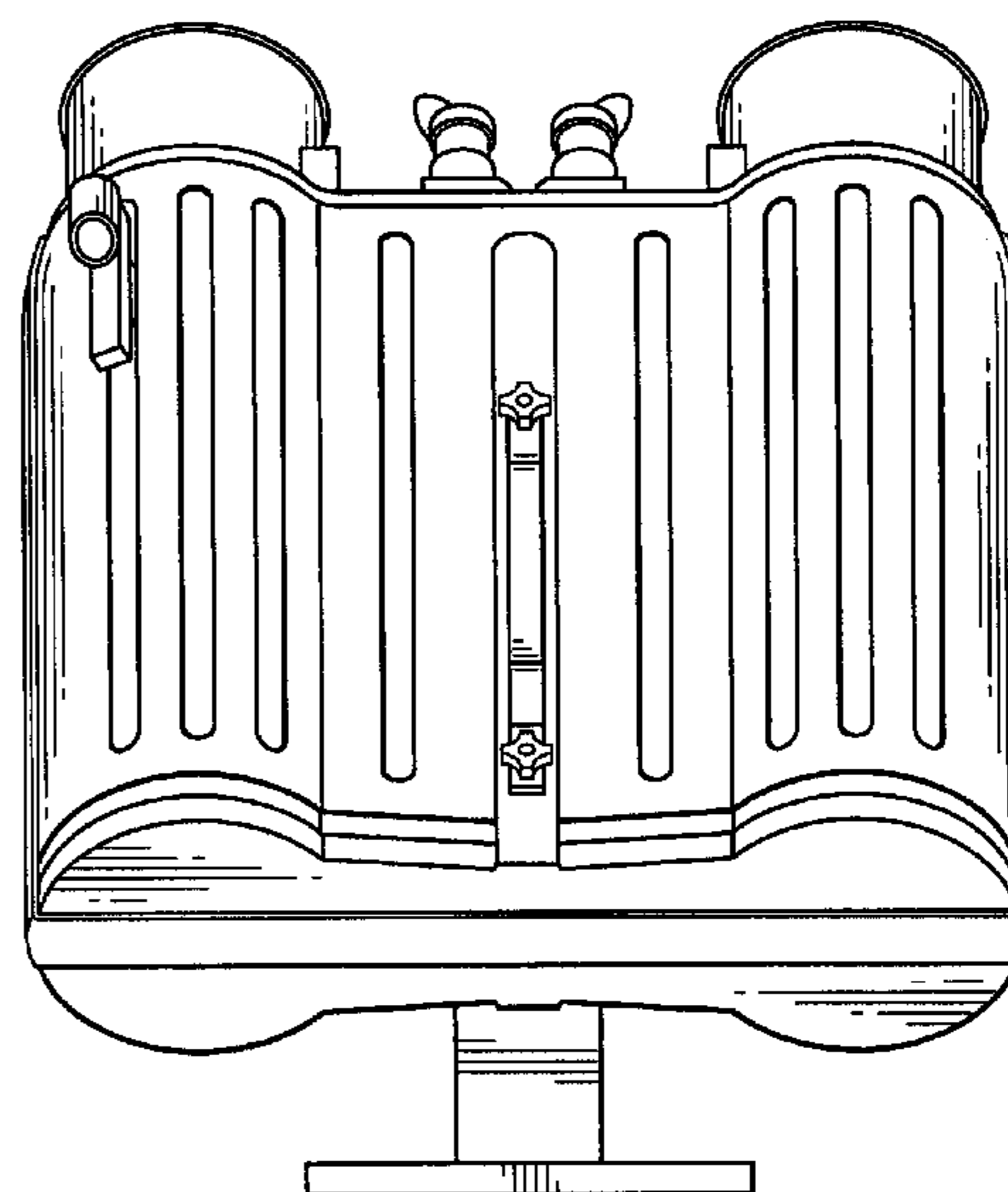
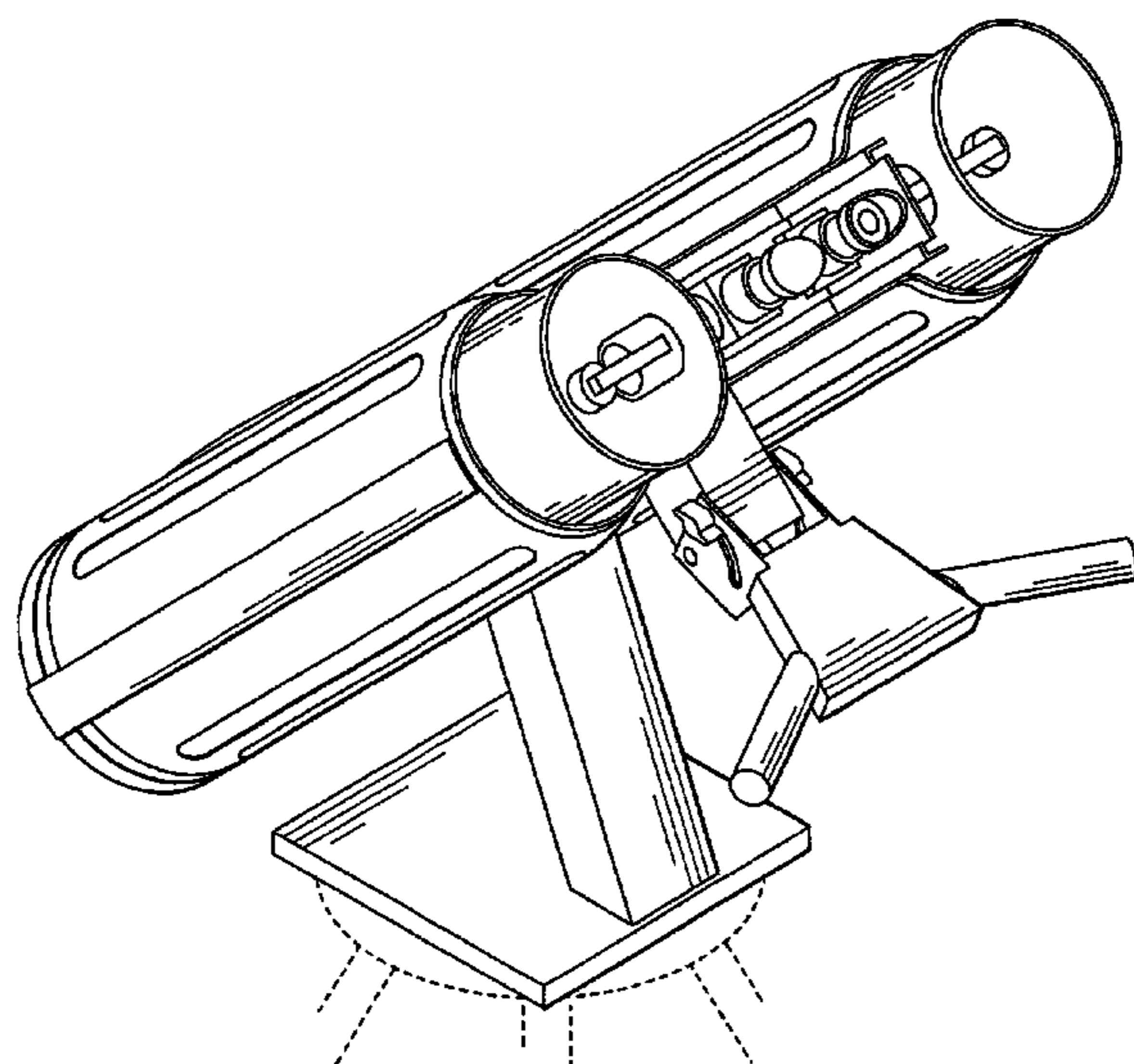
I claim the ornamental design for a binocular telescope, as shown and described.

DESCRIPTION

FIG. 1 is an isometric view of a binocular telescope according to an embodiment of the invention; FIG. 2 is a right-side view thereof; FIG. 3 is a left-side view thereof; FIG. 4 is a front view thereof; FIG. 5 is back view thereof; FIG. 6 is a top view thereof; and, FIG. 7 is a bottom view thereof.

The broken line(s) shown in the drawings are for illustrative purposes only and form no part of the claimed design. The stippling and shading lines shown in the drawings represent the approximate three-dimensional contour of the design, and are not intended to indicate surface decoration. Portions of the binocular telescope that are not shown in the drawings form no part of the claimed design.

1 Claim, 7 Drawing Sheets



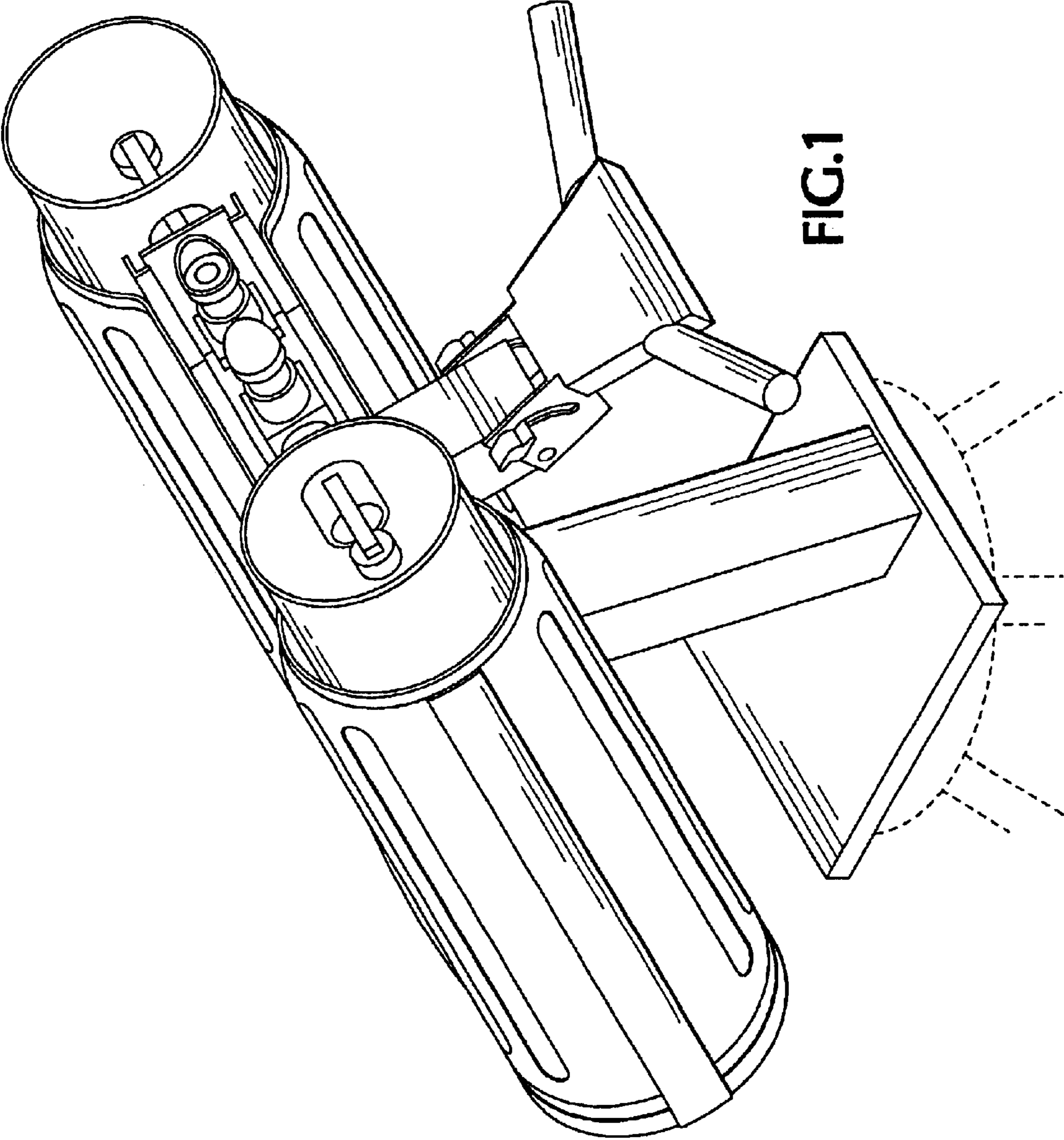


FIG. 1

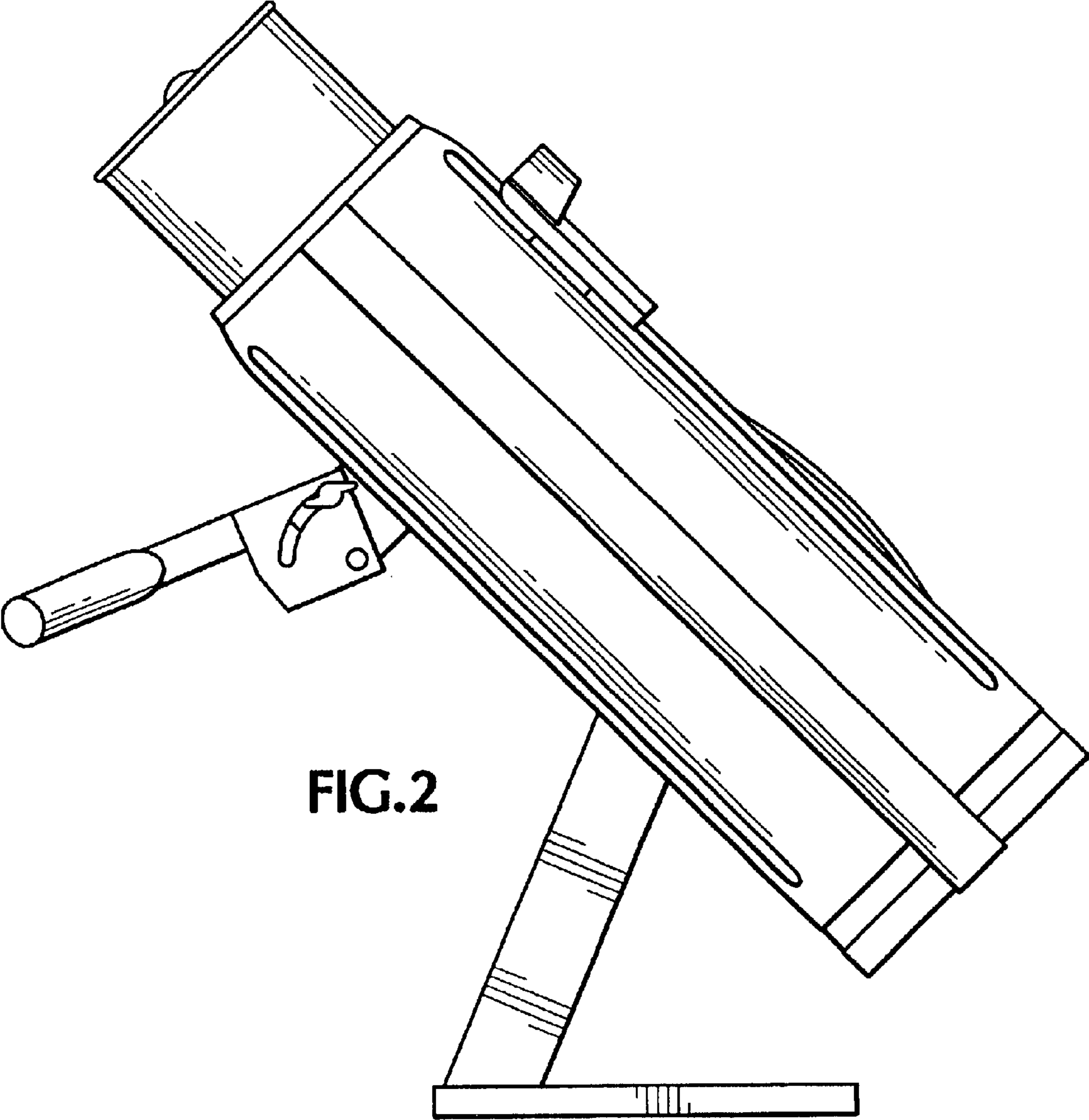


FIG.2

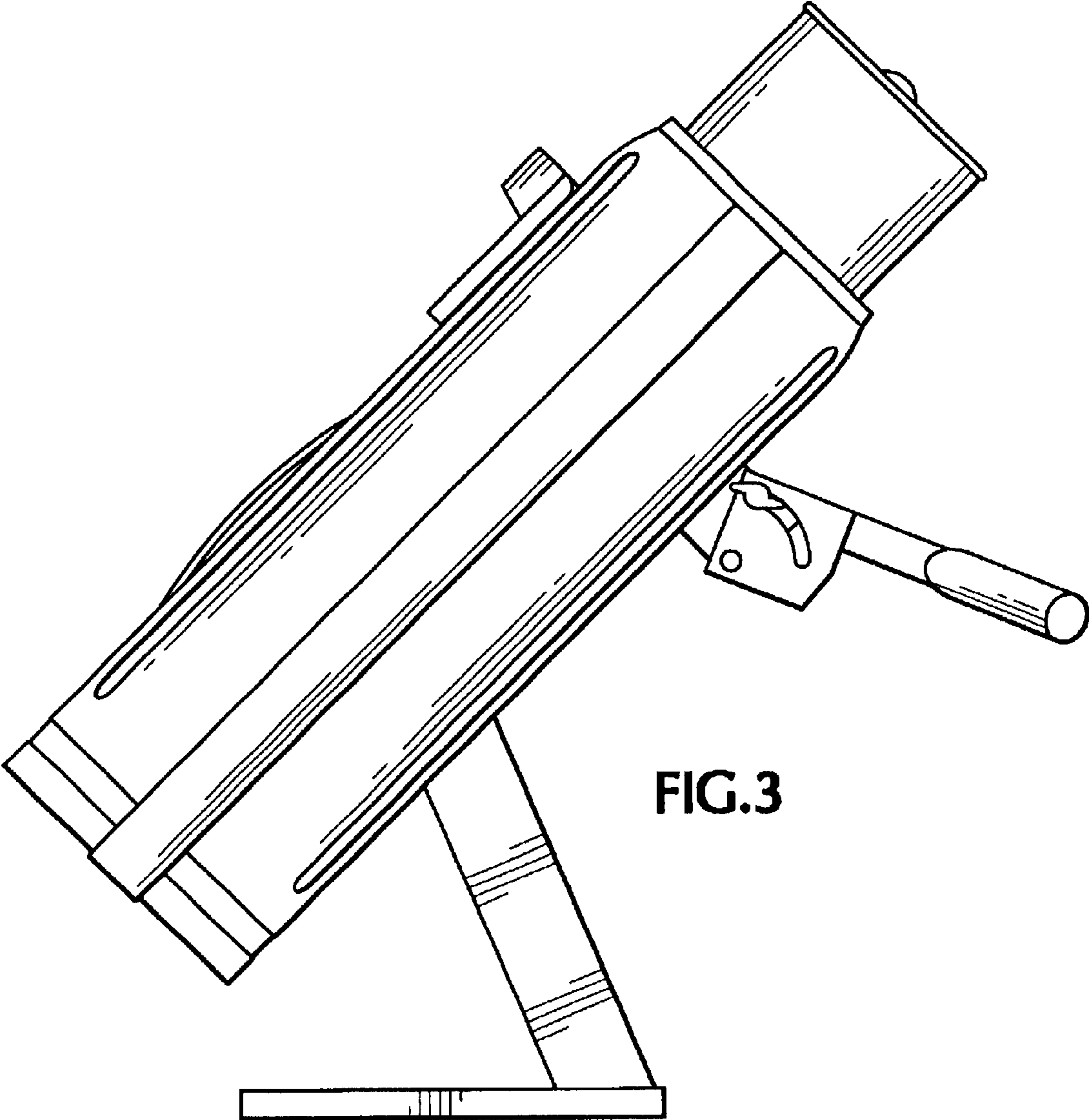


FIG.3

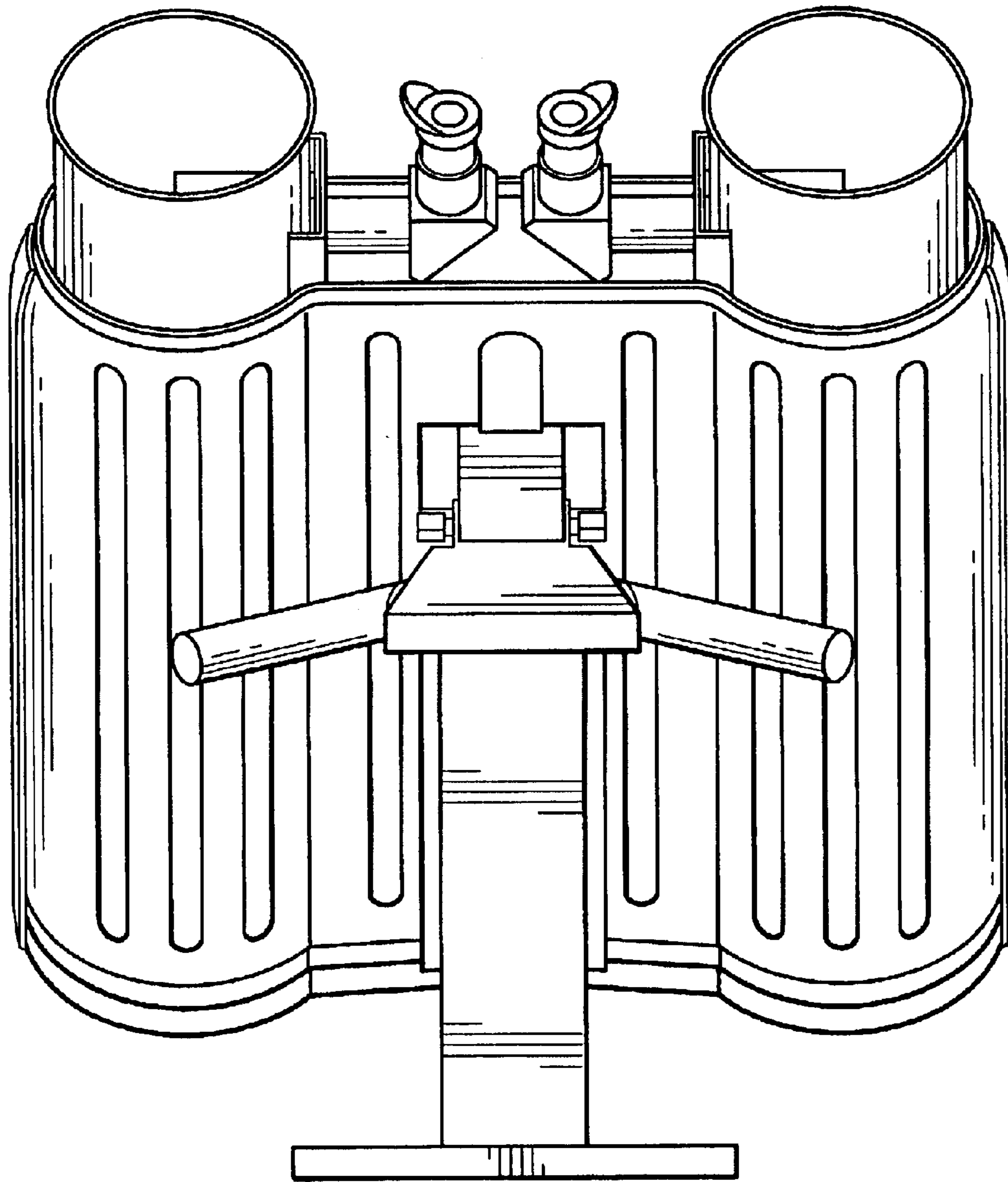


FIG. 4

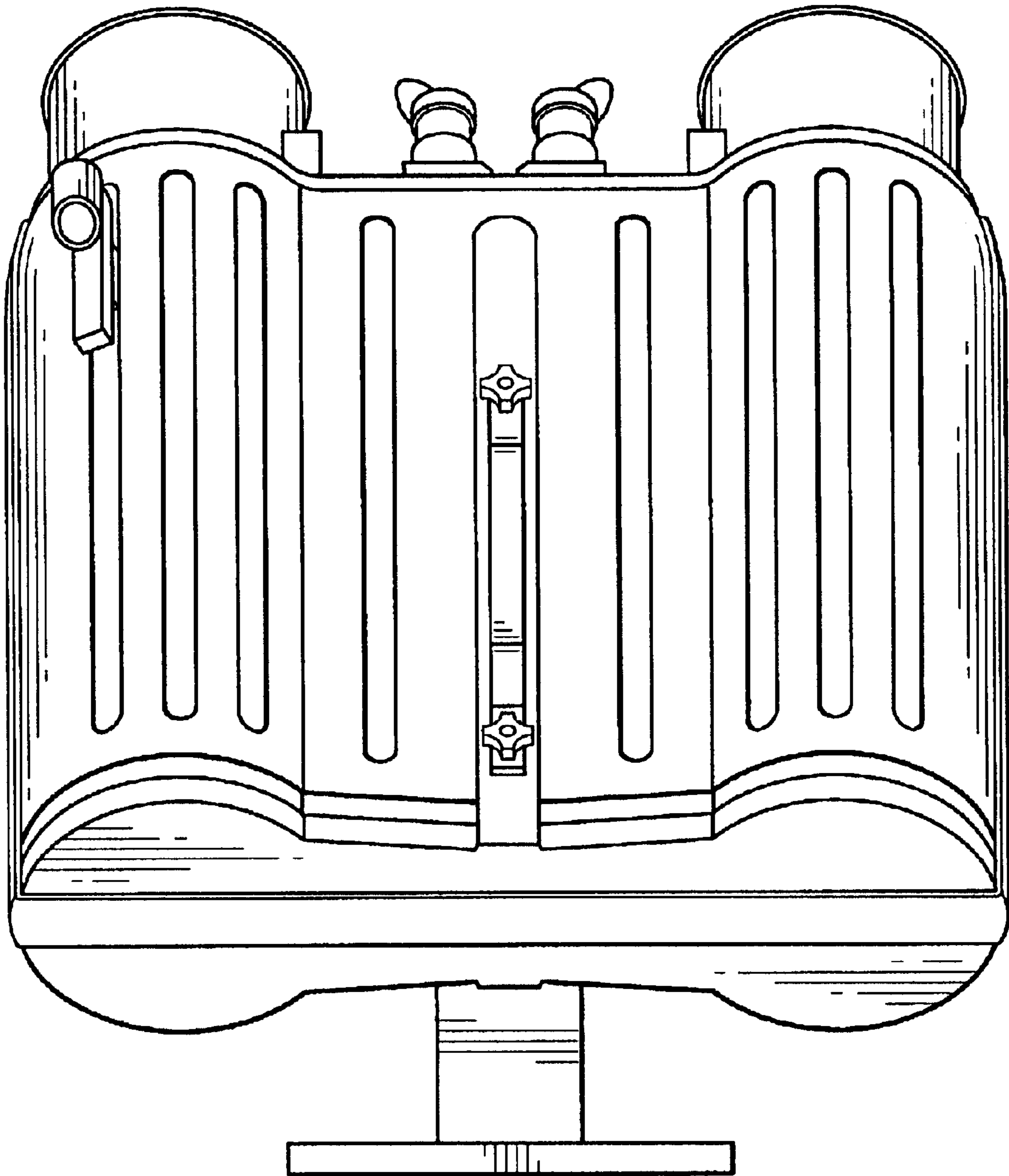


FIG.5

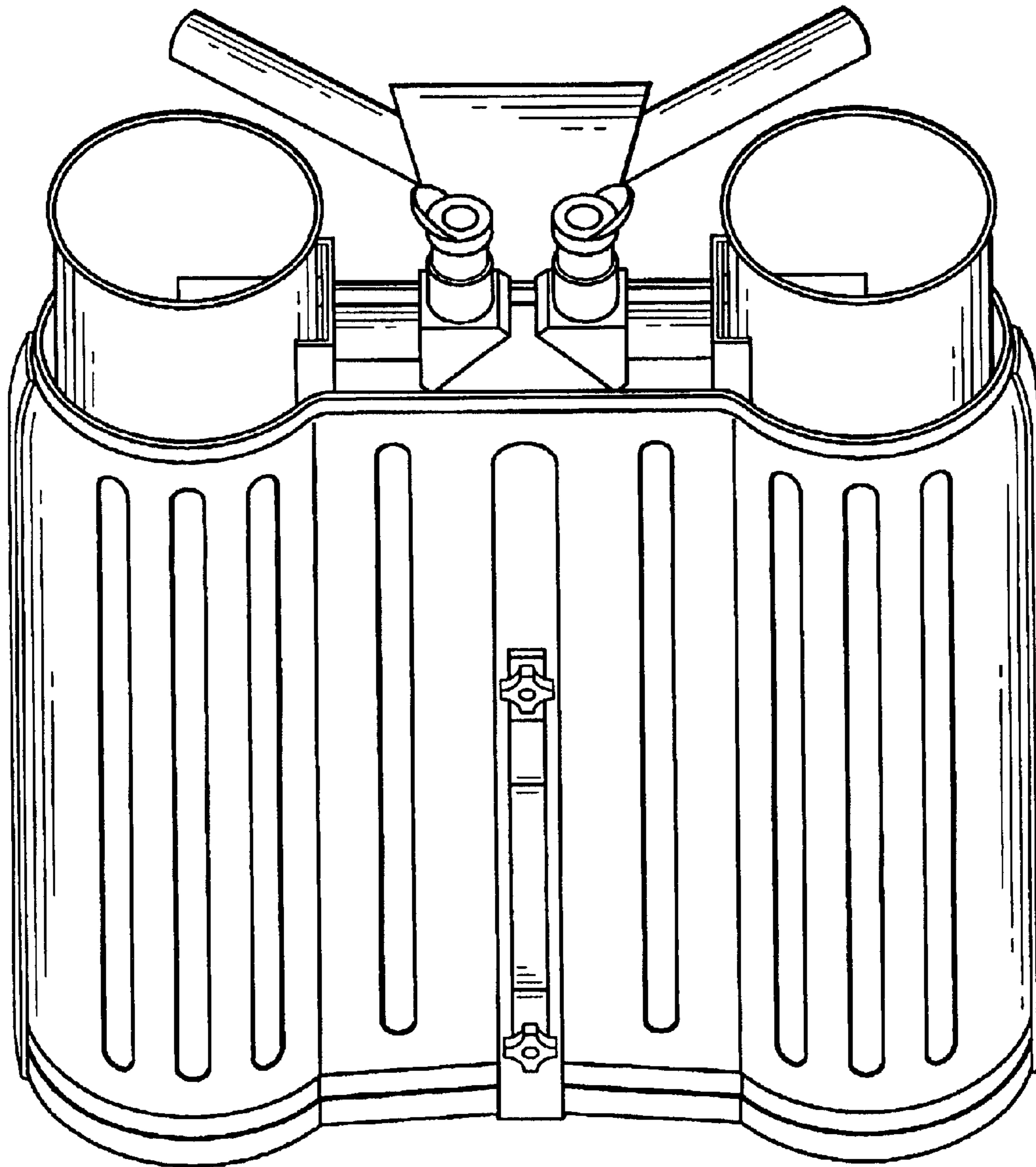


FIG.6

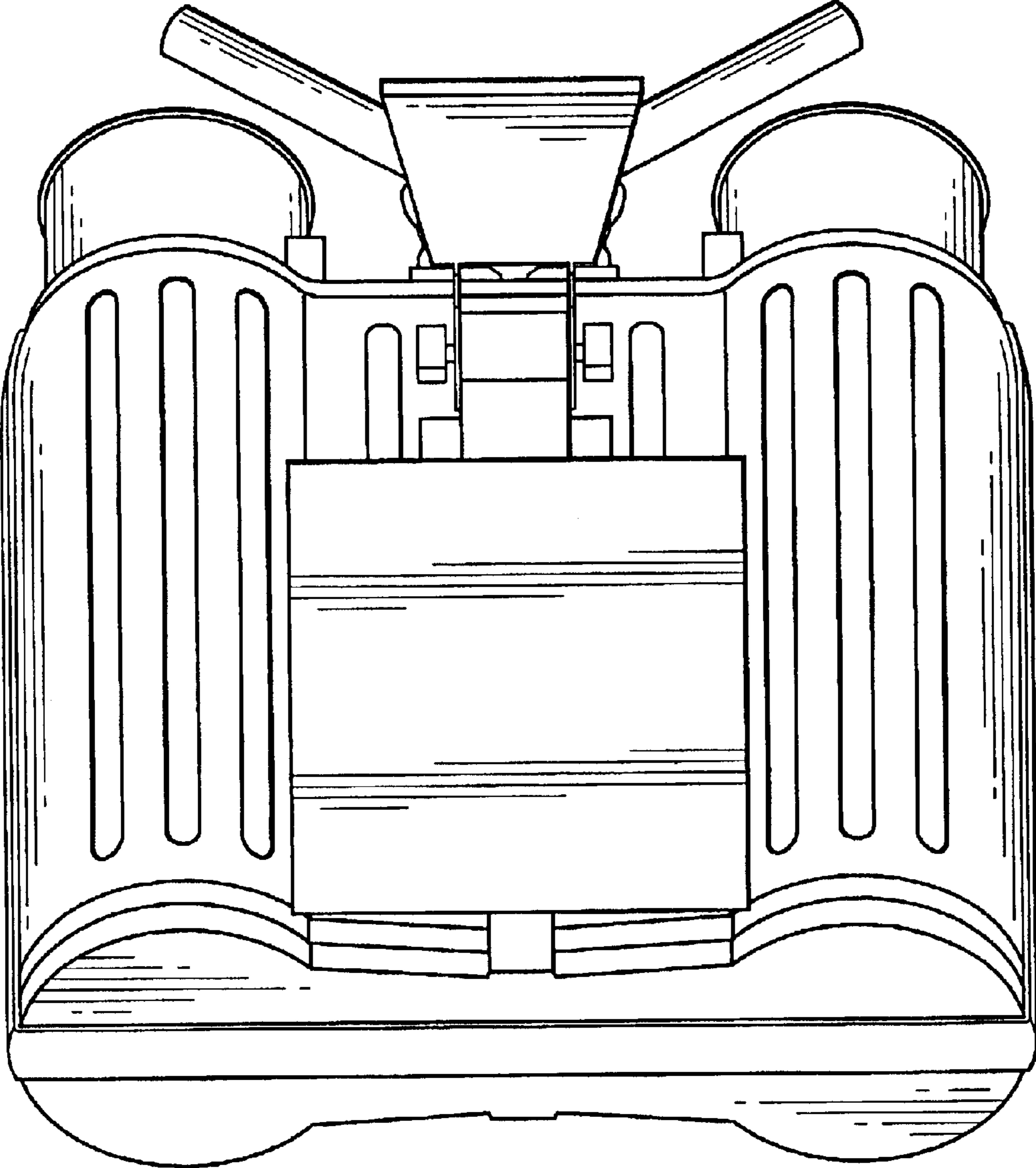


FIG.7