



US00D499435S

(12) **United States Design Patent**
Ogletree

(10) **Patent No.:** **US D499,435 S**

(45) **Date of Patent:** **** Dec. 7, 2004**

(54) **LOGGING BOOM**

D393,299 S * 4/1998 Hunt D21/759
D464,978 S * 10/2002 Dahl et al. D15/28

(76) **Inventor:** **Stanley C. Ogletree**, 879 Pleasant
Acres Farm Rd., Nicholson, GA (US)
30565

* cited by examiner

Primary Examiner—Mitchell Siegel
(74) *Attorney, Agent, or Firm*—Hinkle & O’Bradovich,
LLC

(**) **Term:** **14 Years**

(21) **Appl. No.:** **29/192,683**

(57) **CLAIM**

(22) **Filed:** **Oct. 28, 2003**

The ornamental design for a logging boom, as shown.

(51) **LOC (7) Cl.** **15-03**

DESCRIPTION

(52) **U.S. Cl.** **D15/28**

FIG. 1 is a perspective view of a logging boom showing my
new design;

(58) **Field of Search** D15/10, 11, 21,

D15/28, 32; D21/759; 254/334, 127, 325;
212/262; 144/34.1, 339, 34.5

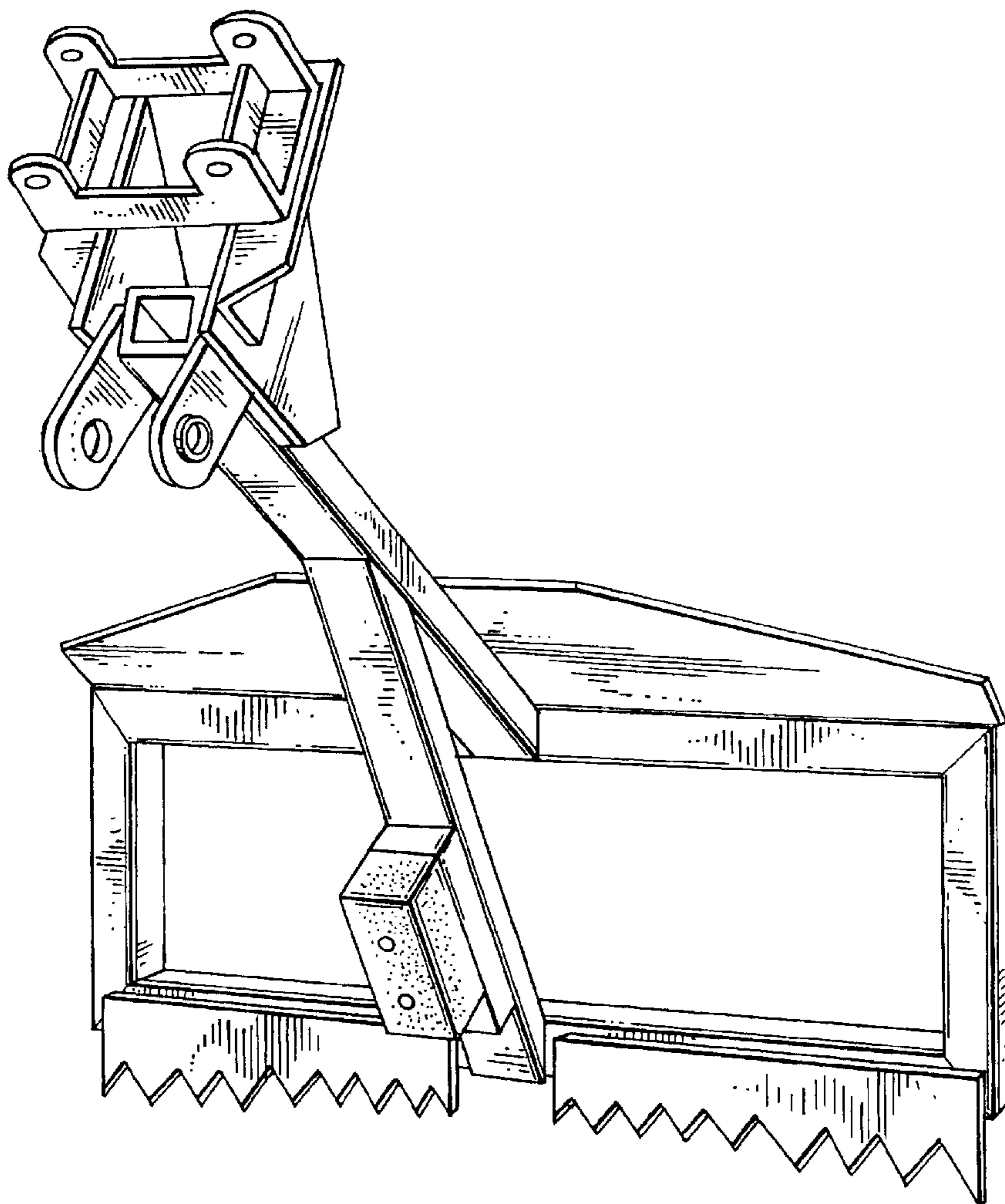
FIG. 2 is a front elevation view thereof;
FIG. 3 is a left side elevation view thereof;
FIG. 4 is a right side elevation view thereof;
FIG. 5 is a rear elevation view thereof;
FIG. 6 is a top plan view thereof; and,
FIG. 7 is a bottom plan view thereof.

(56) **References Cited**

U.S. PATENT DOCUMENTS

2,720,380 A * 10/1955 Dyer 254/334
3,646,975 A * 3/1972 McNeil et al. 144/34.1
D329,004 S * 9/1992 King D8/1

1 Claim, 4 Drawing Sheets



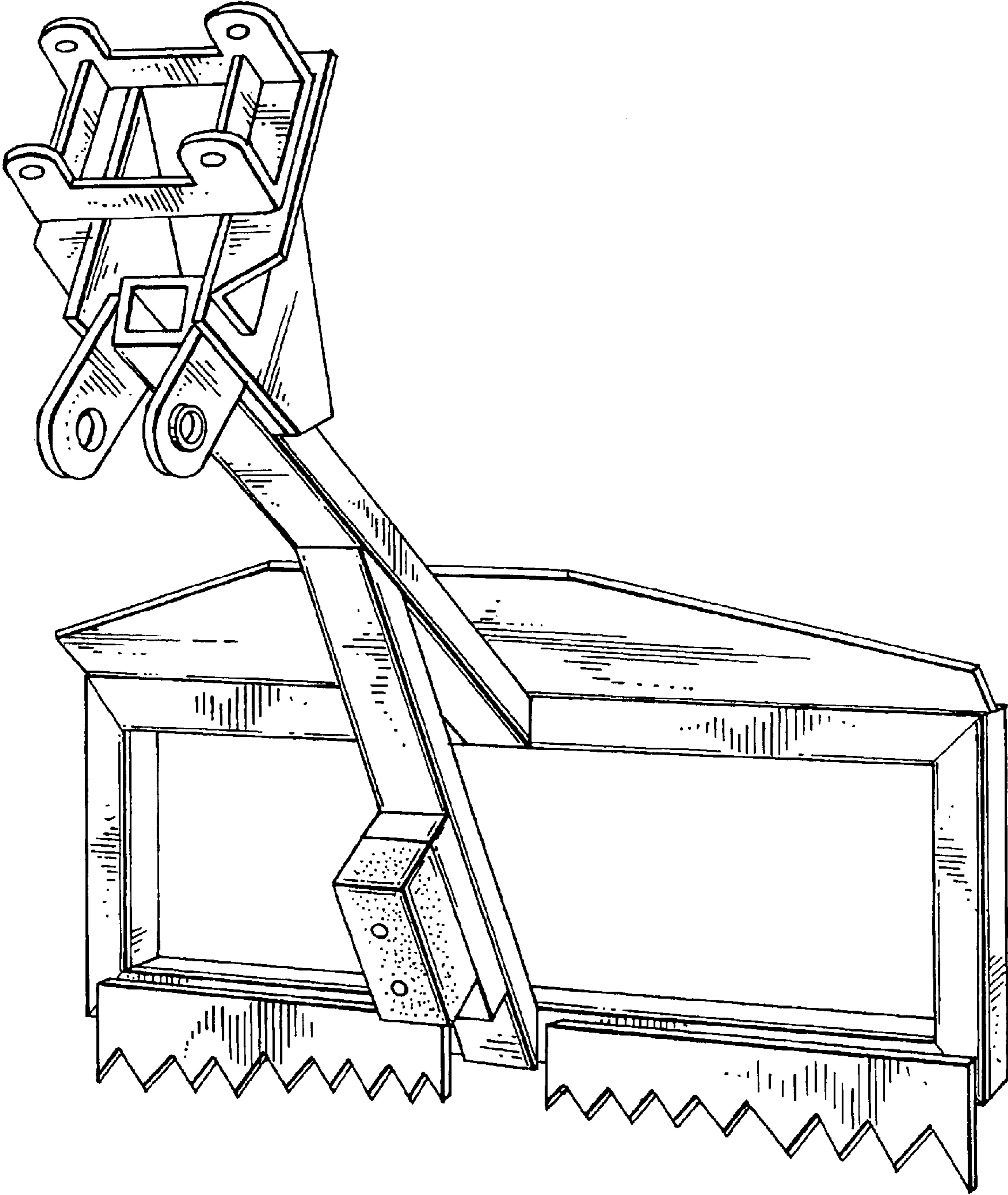
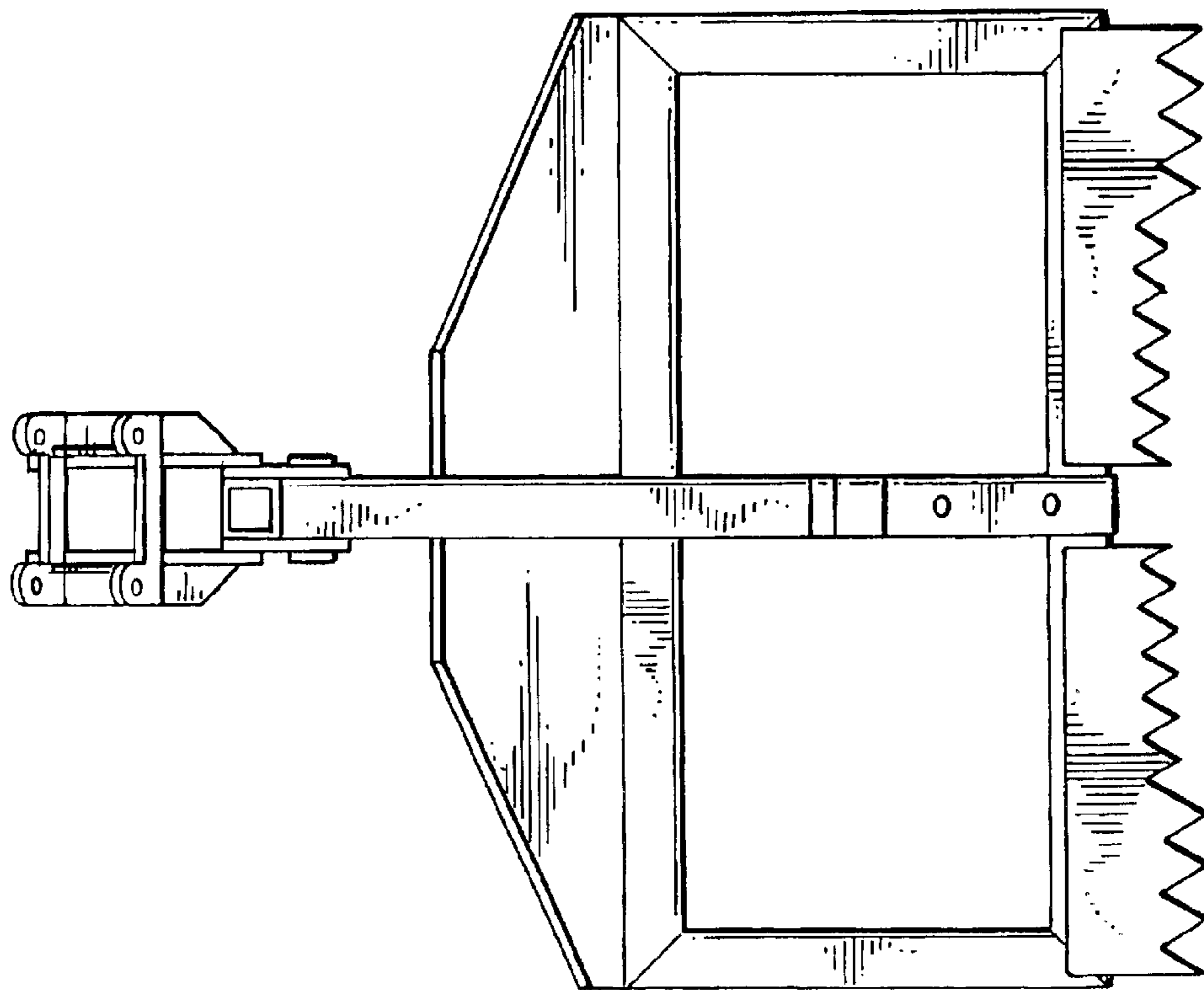
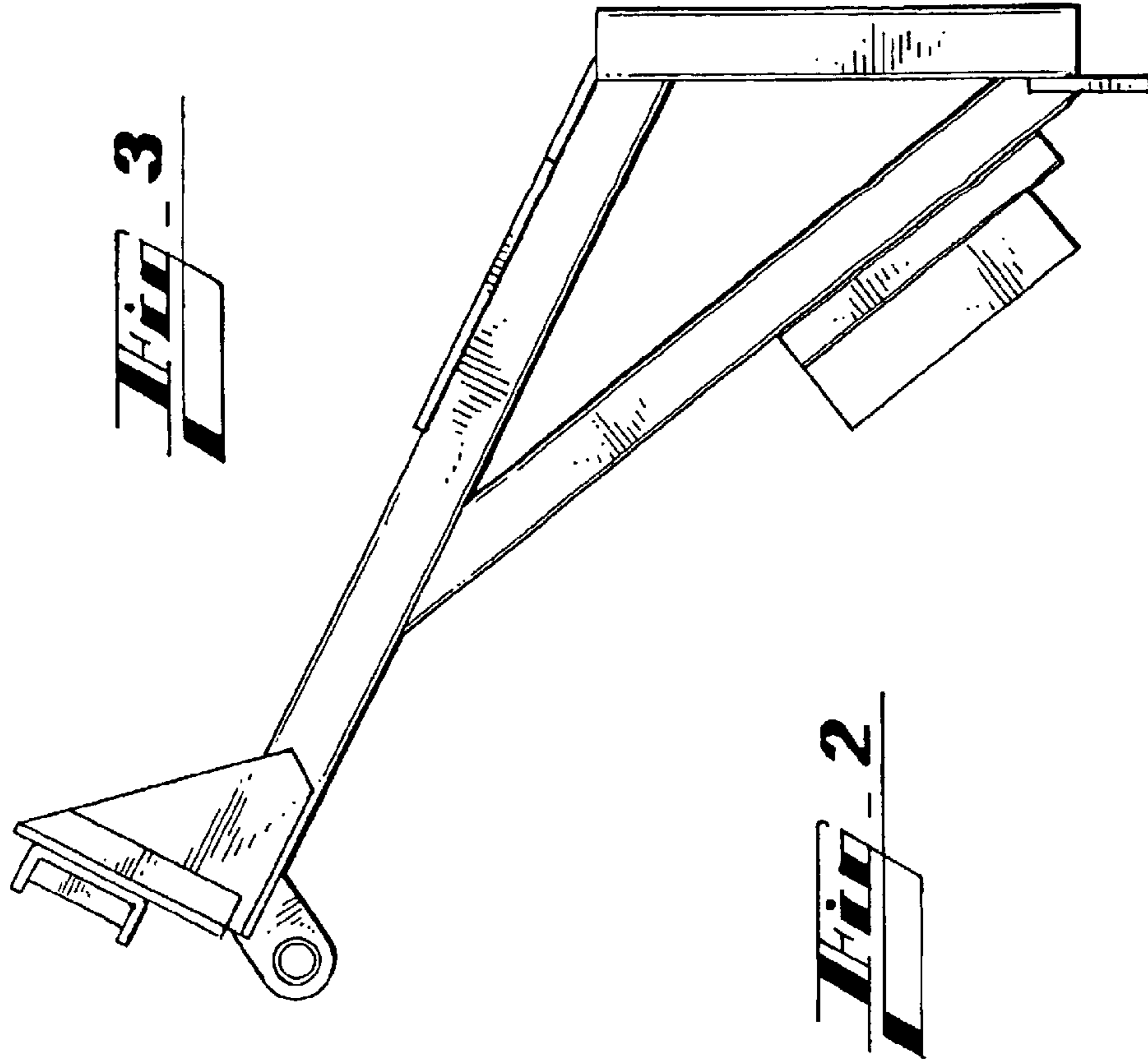
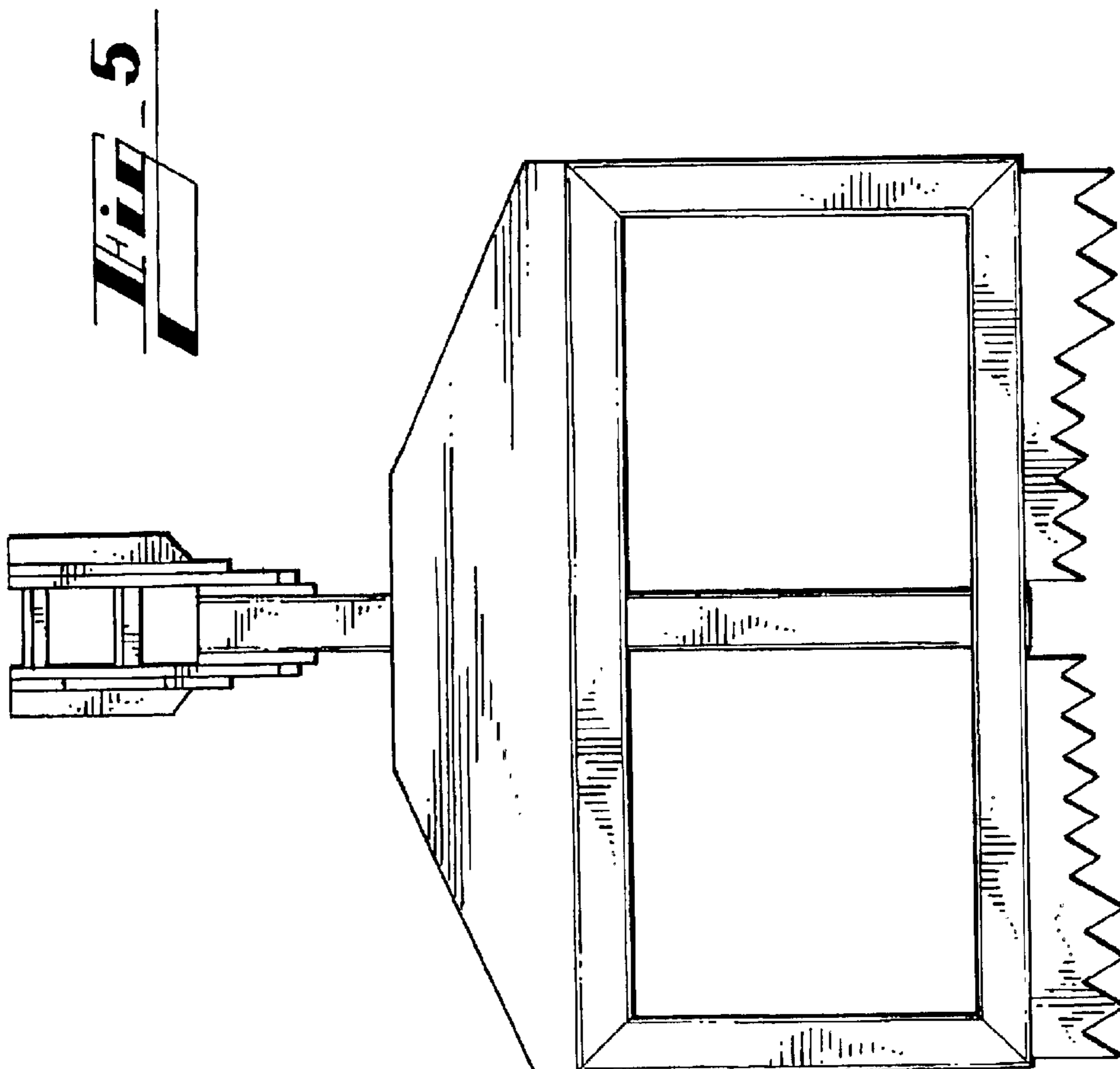
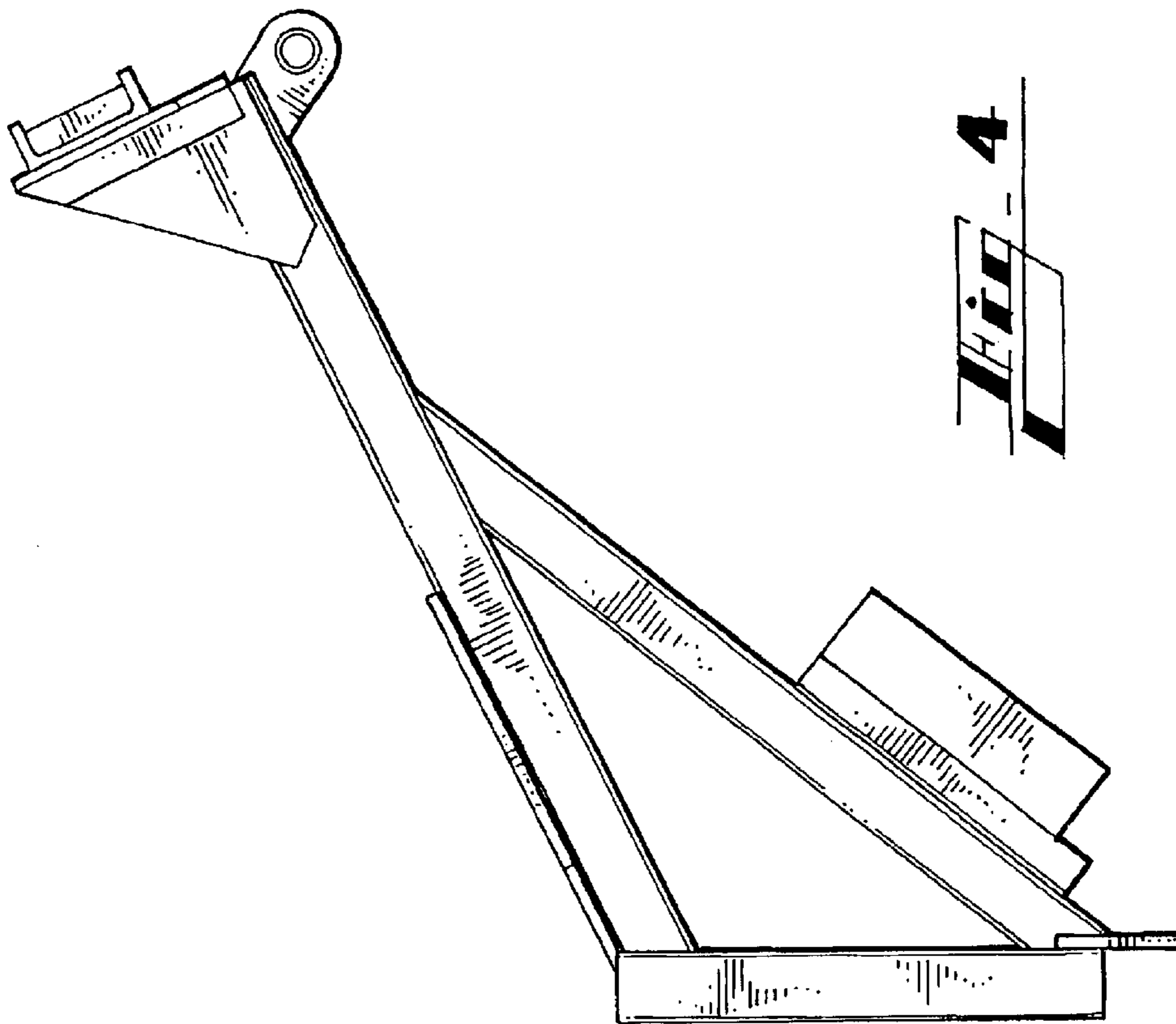


Fig. 1





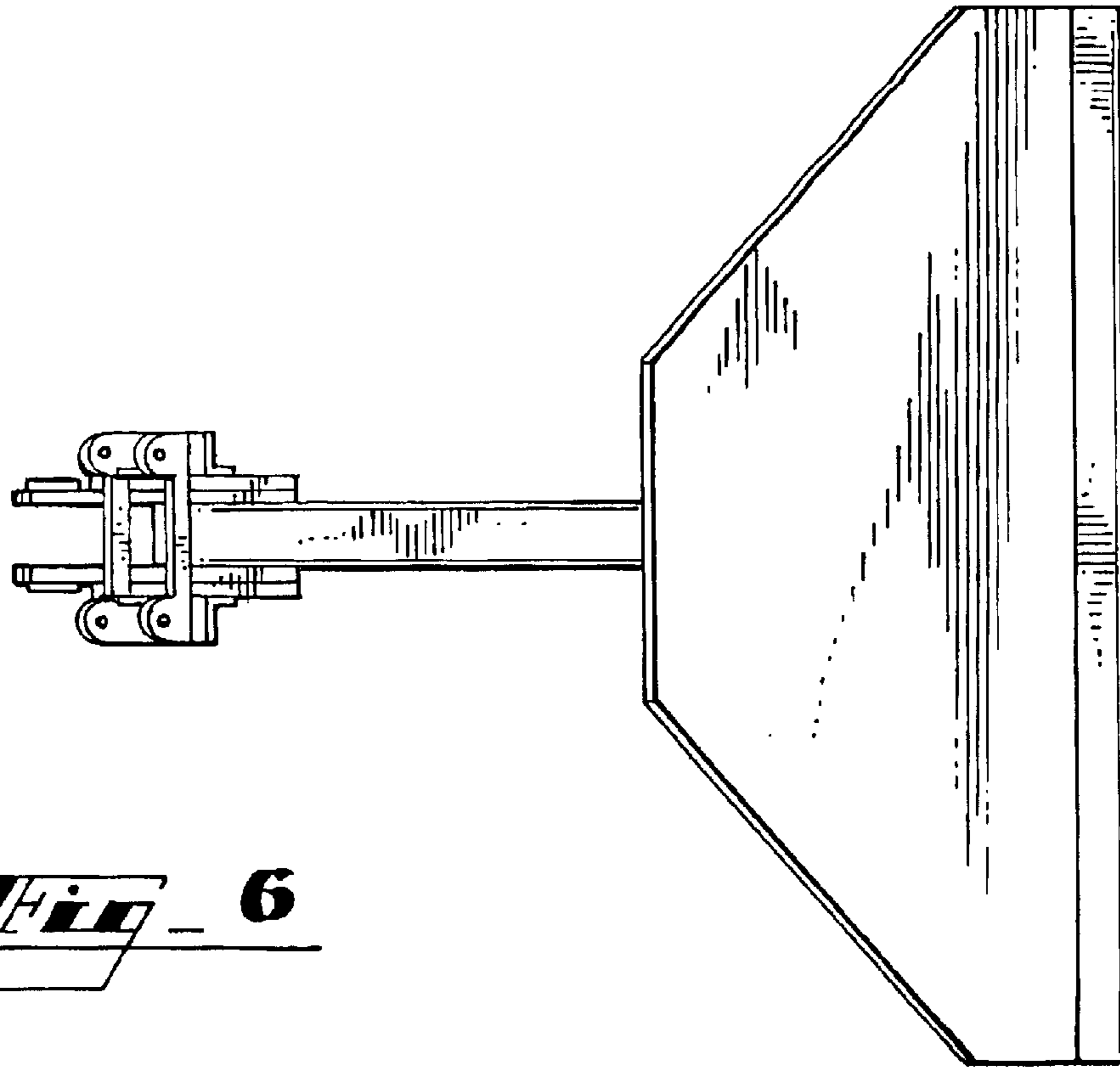


Fig. 6

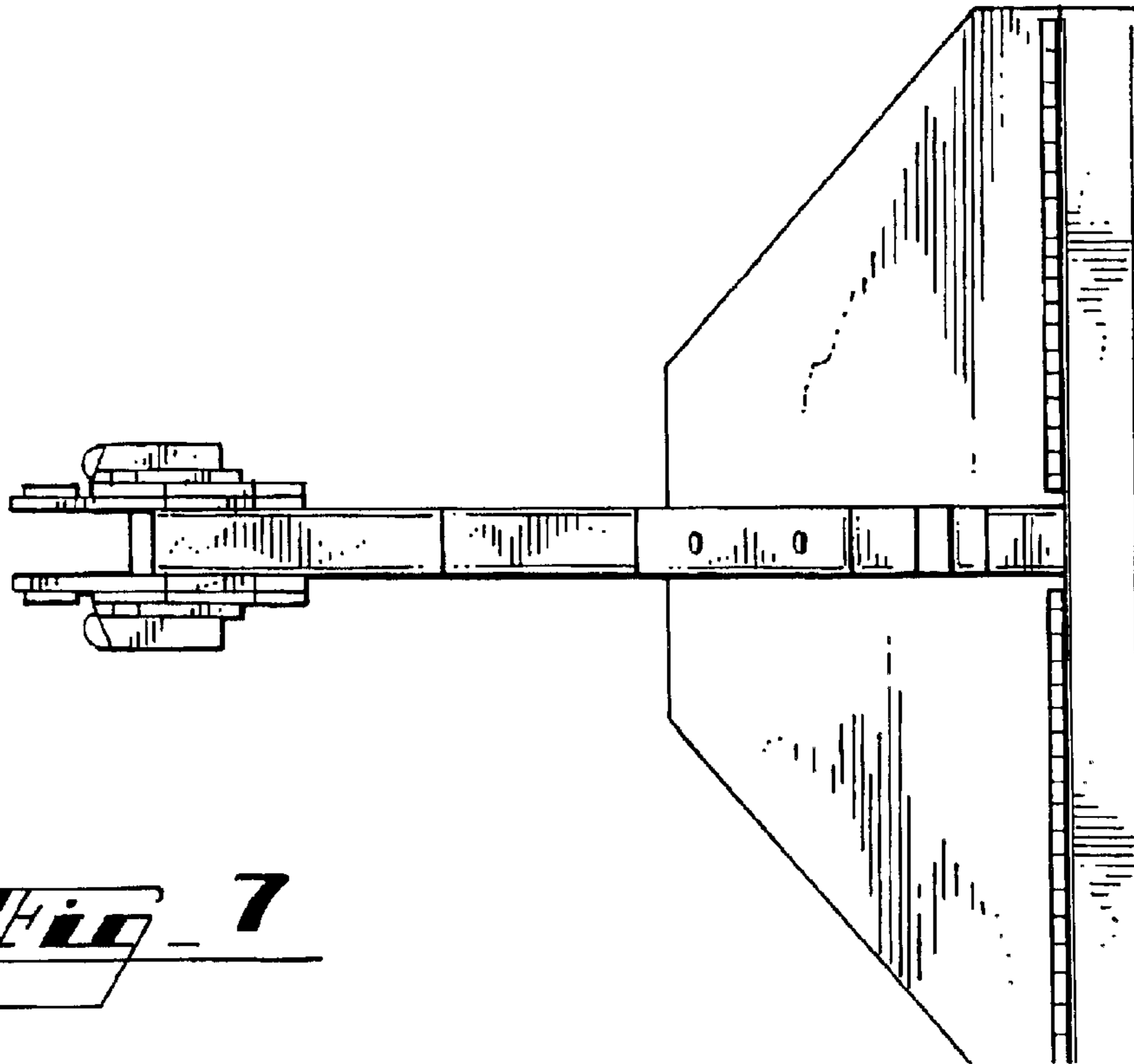


Fig. 7