

US00D499434S

(12) **United States Design Patent** (10) **Patent No.:** **US D499,434 S**  
**Anderson** (45) **Date of Patent:** **\*\* Dec. 7, 2004**

(54) **ROLLER ASSEMBLY FOR LAWNMOWER**

(76) Inventor: **Steven E. Anderson**, 941 Grier Rd.,  
Wider, GA (US) 30680

(\*\*) Term: **14 Years**

(21) Appl. No.: **29/198,176**

(22) Filed: **Jan. 26, 2004**

**Related U.S. Application Data**

(63) Continuation-in-part of application No. 29/176,788, filed on  
Feb. 27, 2003, now Pat. No. Des. 485,850.

(51) **LOC (7) Cl.** ..... **15-03**

(52) **U.S. Cl.** ..... **D15/17**

(58) **Field of Search** ..... D15/14, 17, 28;  
404/117, 128; 56/17.4, 2, 249.5, 14.7, 16.7,  
16.9, 6, 7, 255, 295

(56) **References Cited**

**U.S. PATENT DOCUMENTS**

261,638	A	*	7/1882	Stanly	.....	404/128
3,555,793	A	*	1/1971	Chapman	.....	56/17.4
4,638,622	A	*	1/1987	Smith	.....	56/17.4
5,261,213	A	*	11/1993	Humphrey	.....	56/2
D395,900	S	*	7/1998	Shannon et al.	.....	D15/28
5,870,888	A	*	2/1999	Pugh	.....	56/16.7
6,523,335	B2	*	2/2003	Vanderipe	.....	56/16.7
D485,850	S	*	1/2004	Anderson	.....	D15/17

\* cited by examiner

*Primary Examiner*—Mitchell Siegel  
*(74) Attorney, Agent, or Firm*—Harry I. Leon

(57) **CLAIM**

The ornamental design for a roller assembly for lawnmower,  
as shown and described.

**DESCRIPTION**

FIG. 1 is a top, right side perspective view of the roller assembly for lawnmower to which it is attached, the broken line disclosure of the lawnmower is being shown for illustrative purposes only and forming no part of the claimed design;

FIG. 2 is a top, right side of a the roller assembly for lawnmower shown in FIG. 1, before its front casters have been removed and the roller assembly attached;

FIG. 3 is a front view of the roller assembly for lawnmower according to FIG. 1 and the lawn mower to which the roller assembly is attached;

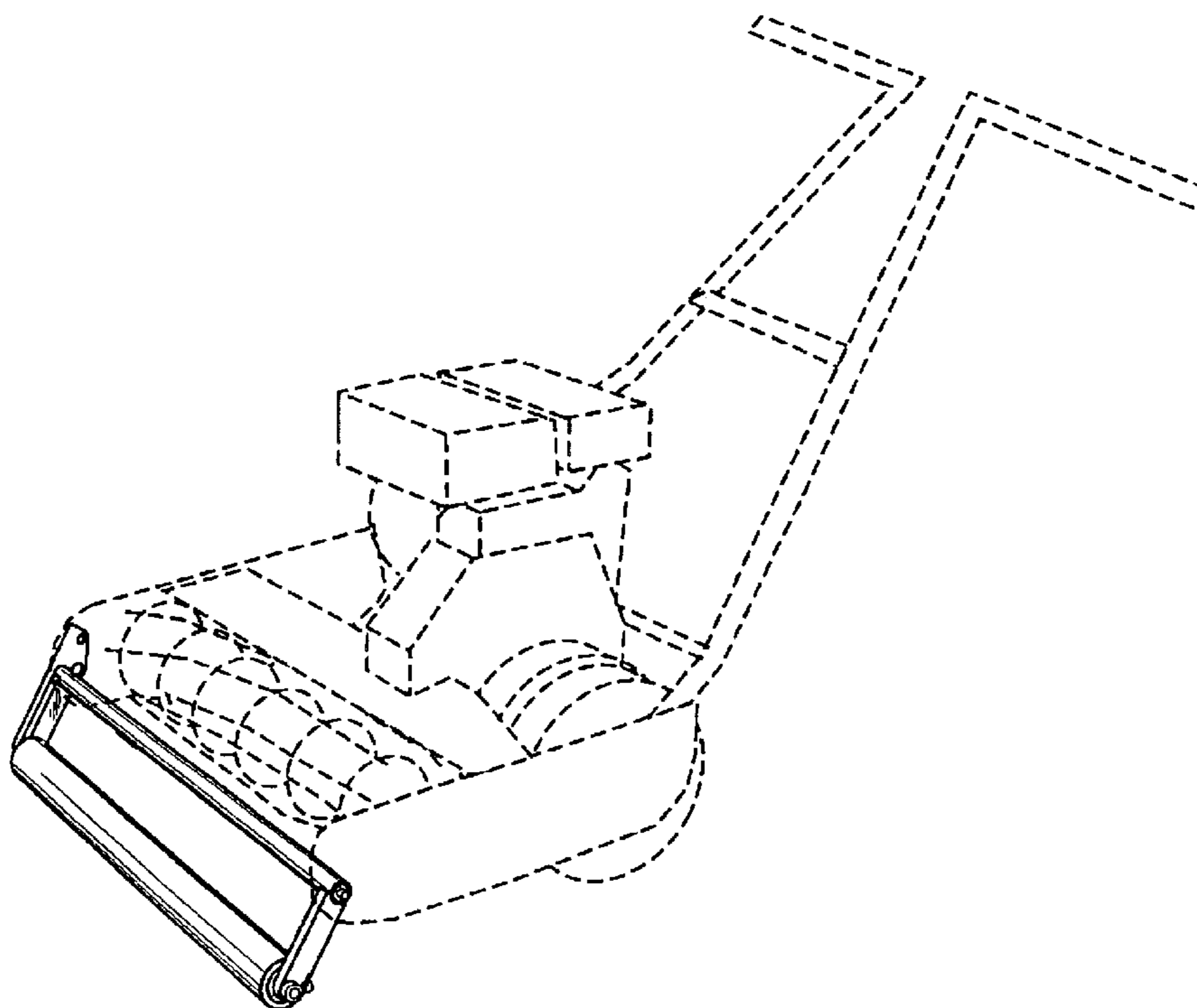
FIG. 4 is a top right side perspective view of the roller assembly for lawnmower according to FIG. 1, with a break-out section to show the structure of the roller;

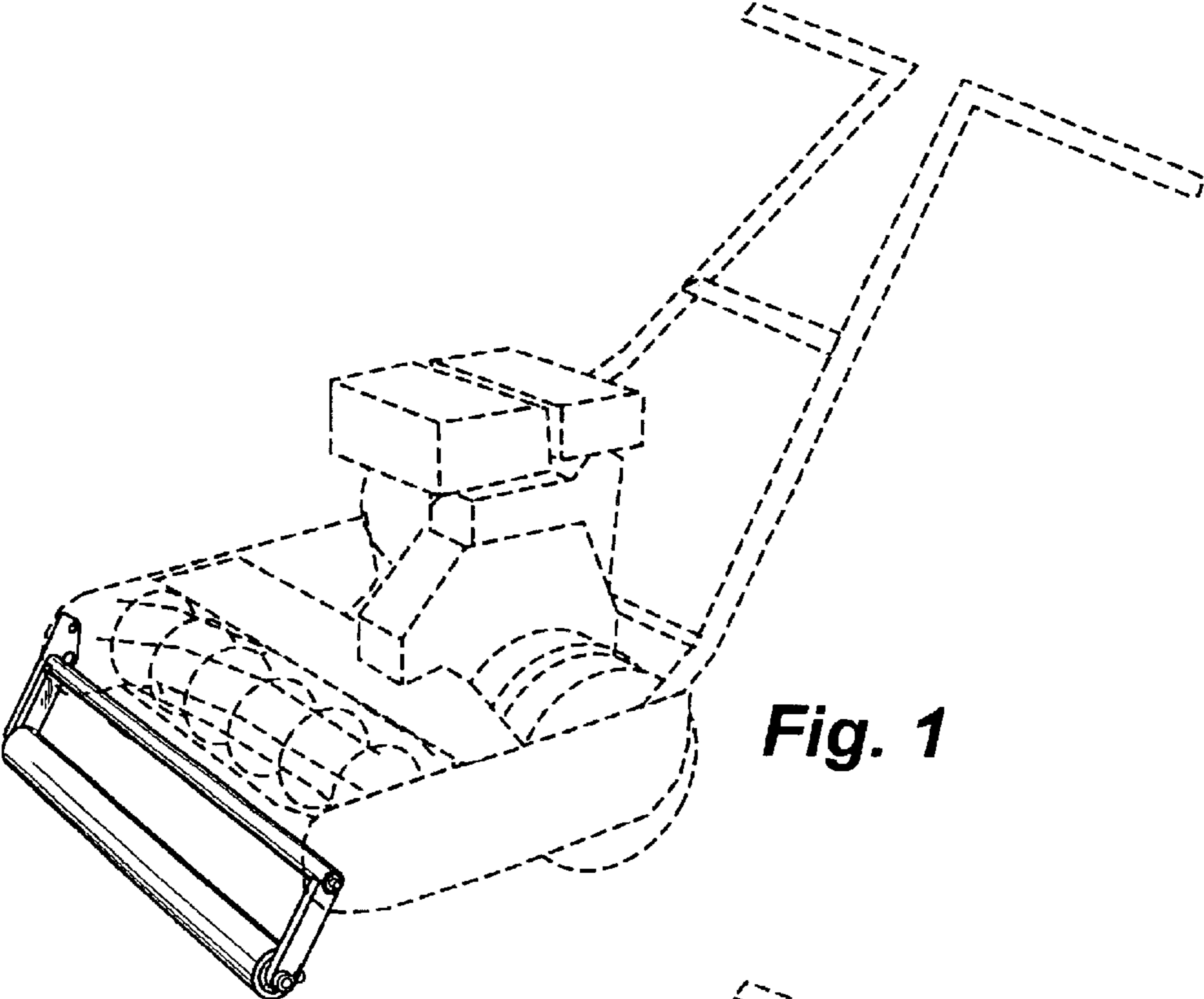
FIG. 5 a top plan view of the roller assembly for lawnmower according to FIG. 1;

FIG. 6 is a left side elevational view of the roller assembly for lawnmower according to FIG. 1; and,

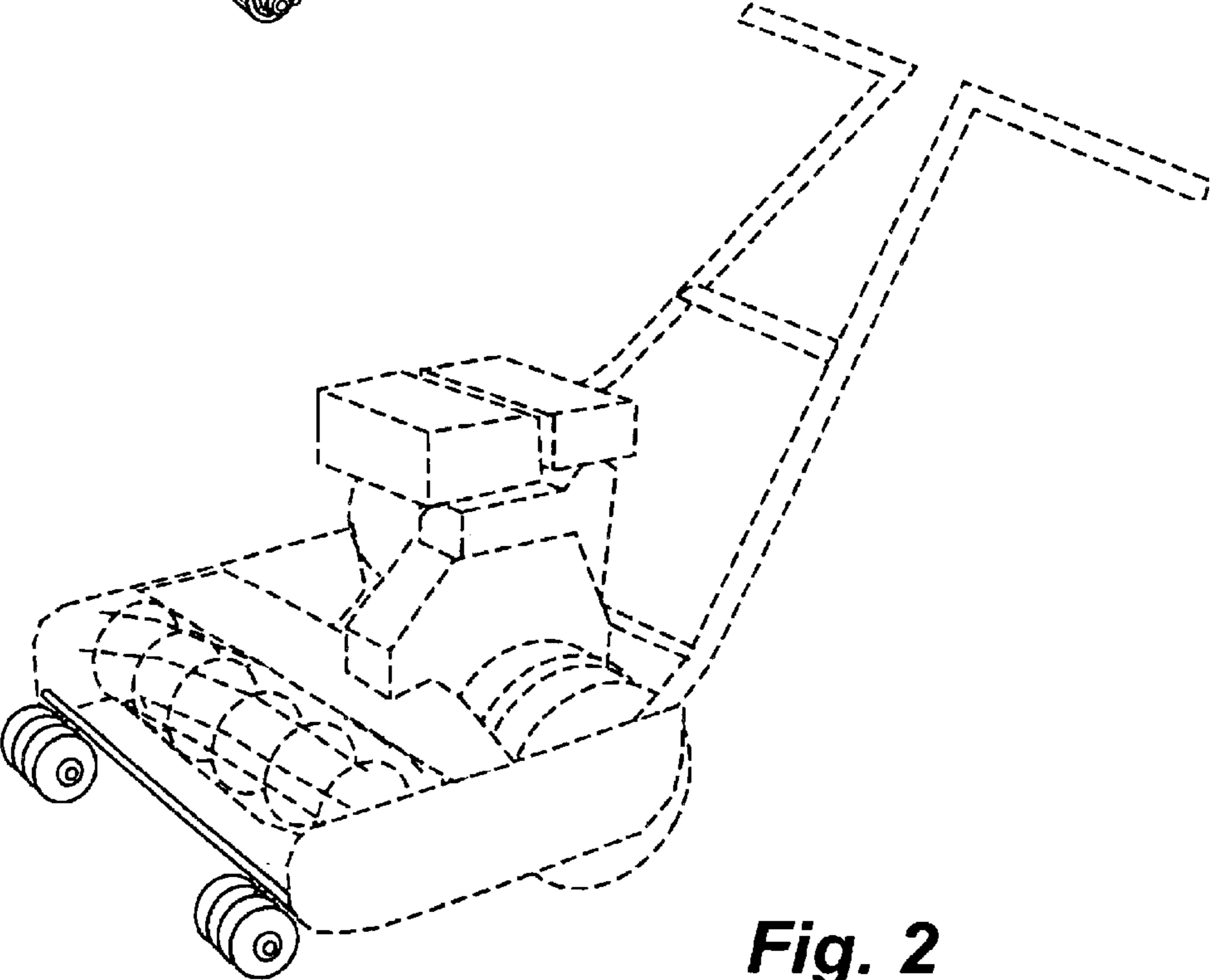
FIG. 7 is a right side elevational view of the roller assembly for lawnmower according to FIG. 1.

**1 Claim, 3 Drawing Sheets**

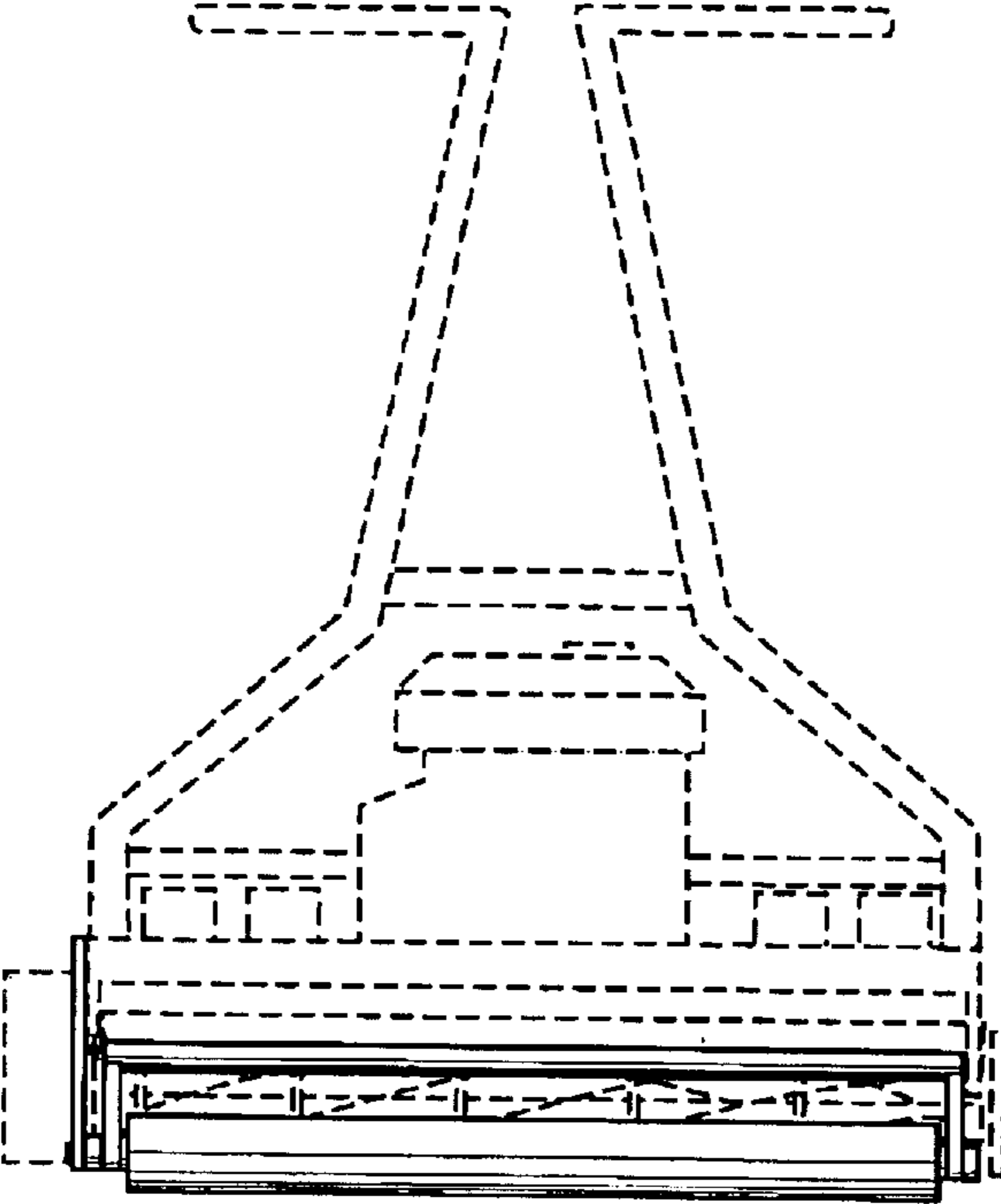




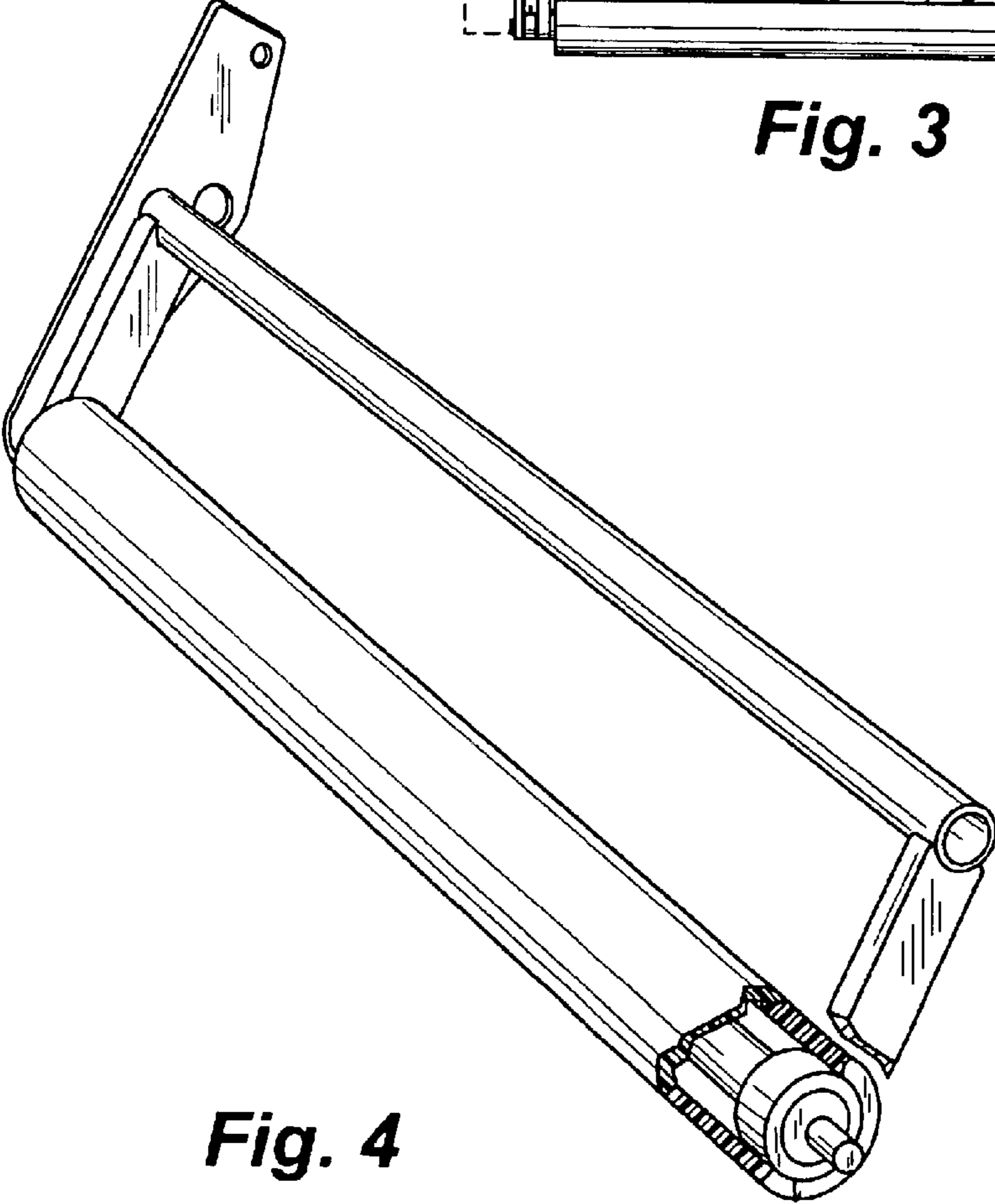
**Fig. 1**



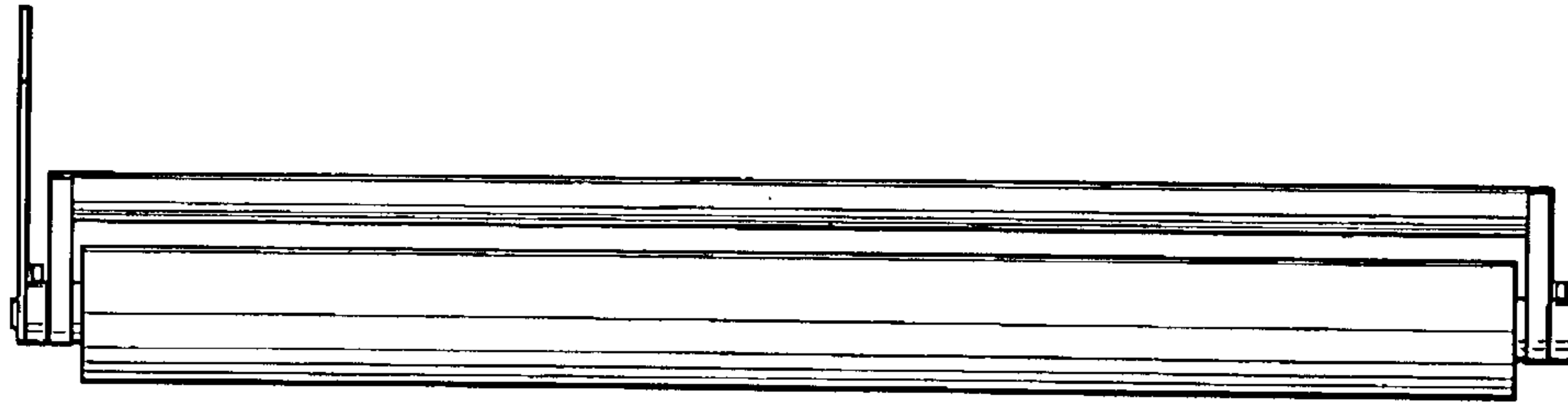
**Fig. 2**



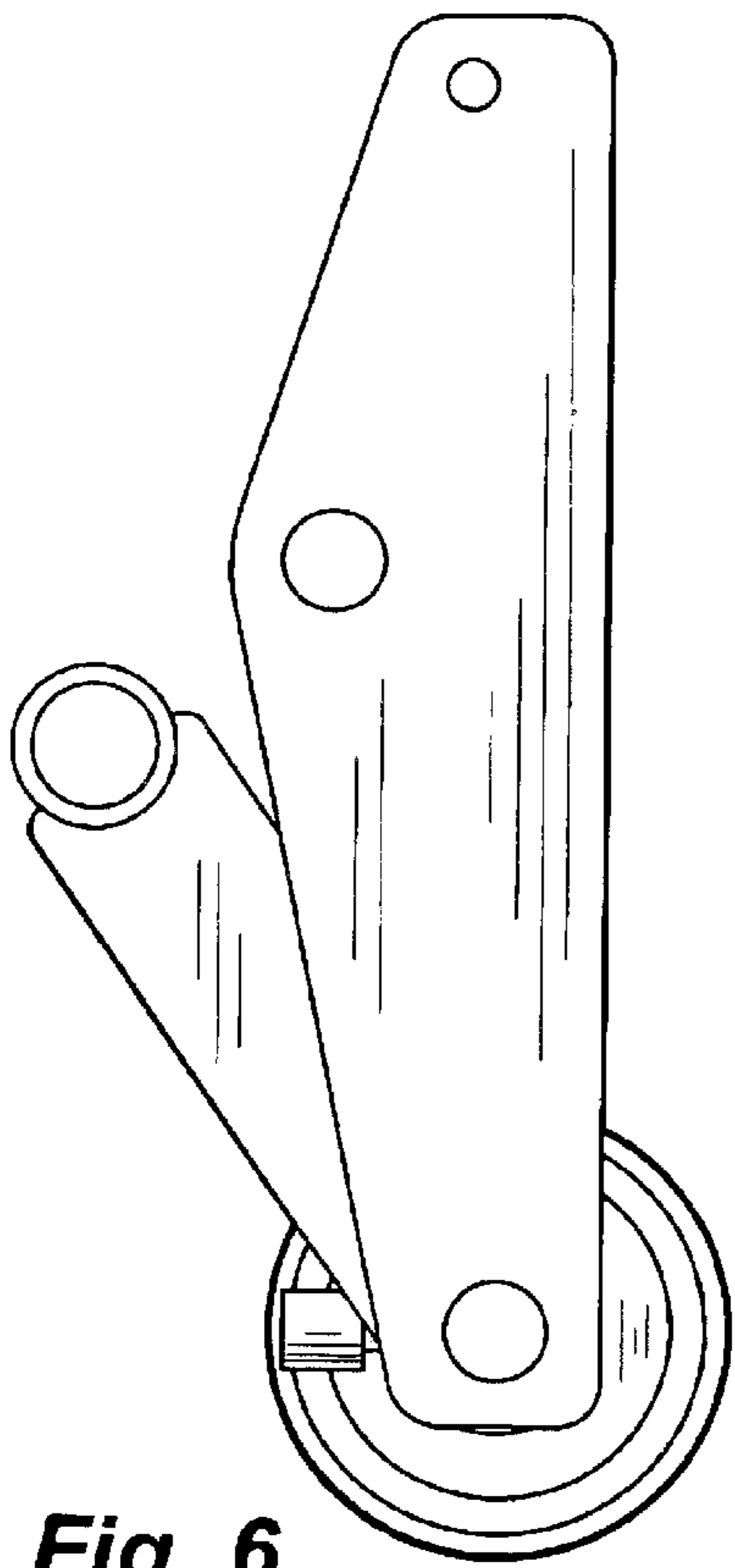
**Fig. 3**



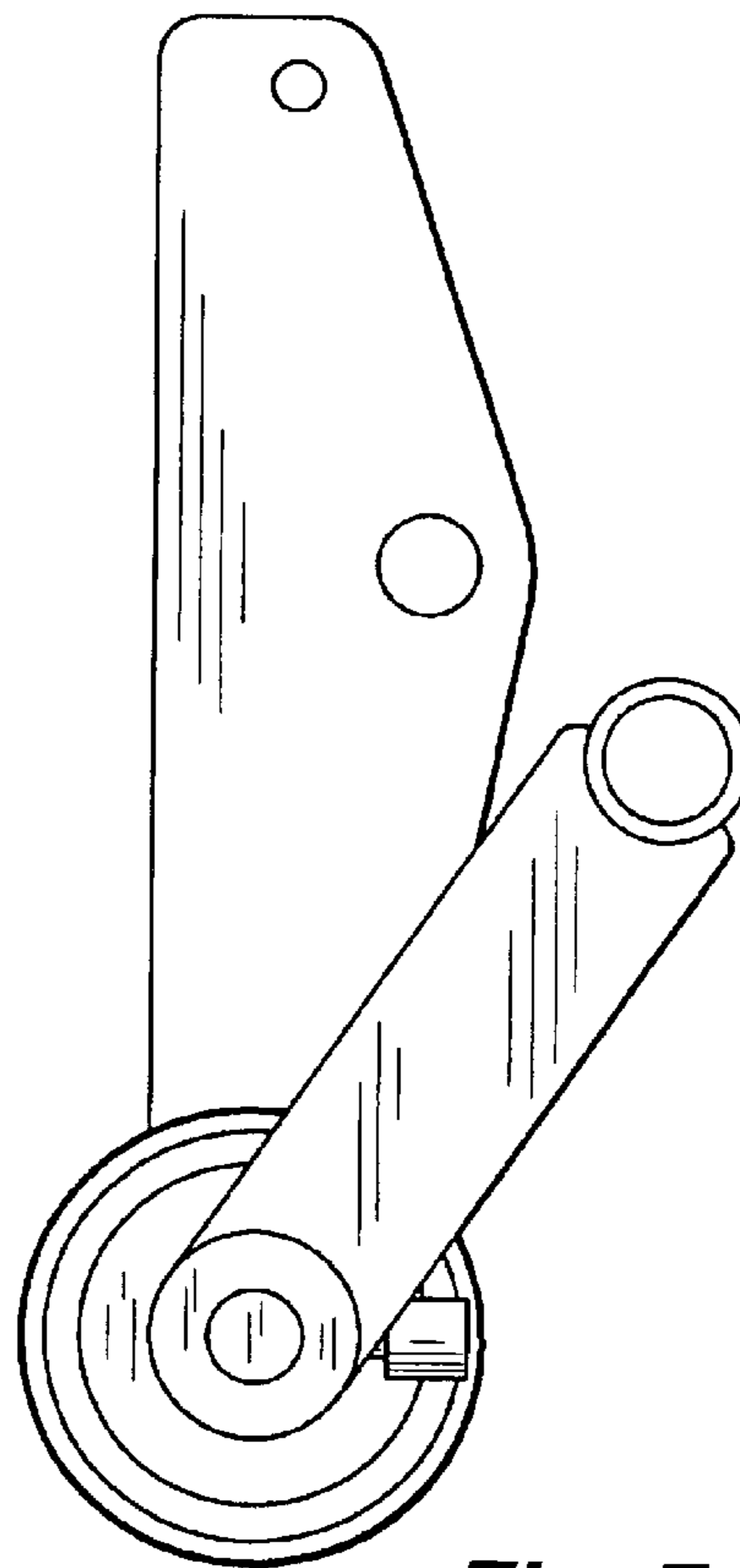
**Fig. 4**



**Fig. 5**



**Fig. 6**



**Fig. 7**