



US00D499432S

(12) **United States Design Patent**
Chen

(10) **Patent No.:** **US D499,432 S**

(45) **Date of Patent:** **** Dec. 7, 2004**

(54) **ELECTRIC COMPRESSOR**

(75) **Inventor:** **Pi-Hua Chen, Yun Lin Hsien (TW)**

(73) **Assignee:** **Fusin Industrial Co., Ltd., Yun Lin Hsien (TW)**

(**) **Term:** **14 Years**

(21) **Appl. No.:** **29/200,616**

(22) **Filed:** **Mar. 3, 2004**

(51) **LOC (7) Cl.** **15-02**

(52) **U.S. Cl.** **D15/9**

(58) **Field of Search** D15/7-9; 417/321,
417/410, 413.1, 415, 423.3, 486, 521, 534;
415/148

(56) **References Cited**

U.S. PATENT DOCUMENTS

D223,039 S * 2/1972 Widmer D15/7
D293,446 S * 12/1987 Morgan D15/9

4,722,673 A * 2/1988 Grime et al. 417/360
D444,798 S * 7/2001 Morgan D15/9
D447,149 S * 8/2001 Davis et al. D15/9

* cited by examiner

Primary Examiner—Ralf Seifert

(74) *Attorney, Agent, or Firm*—Rabin & Berdo, P.C.

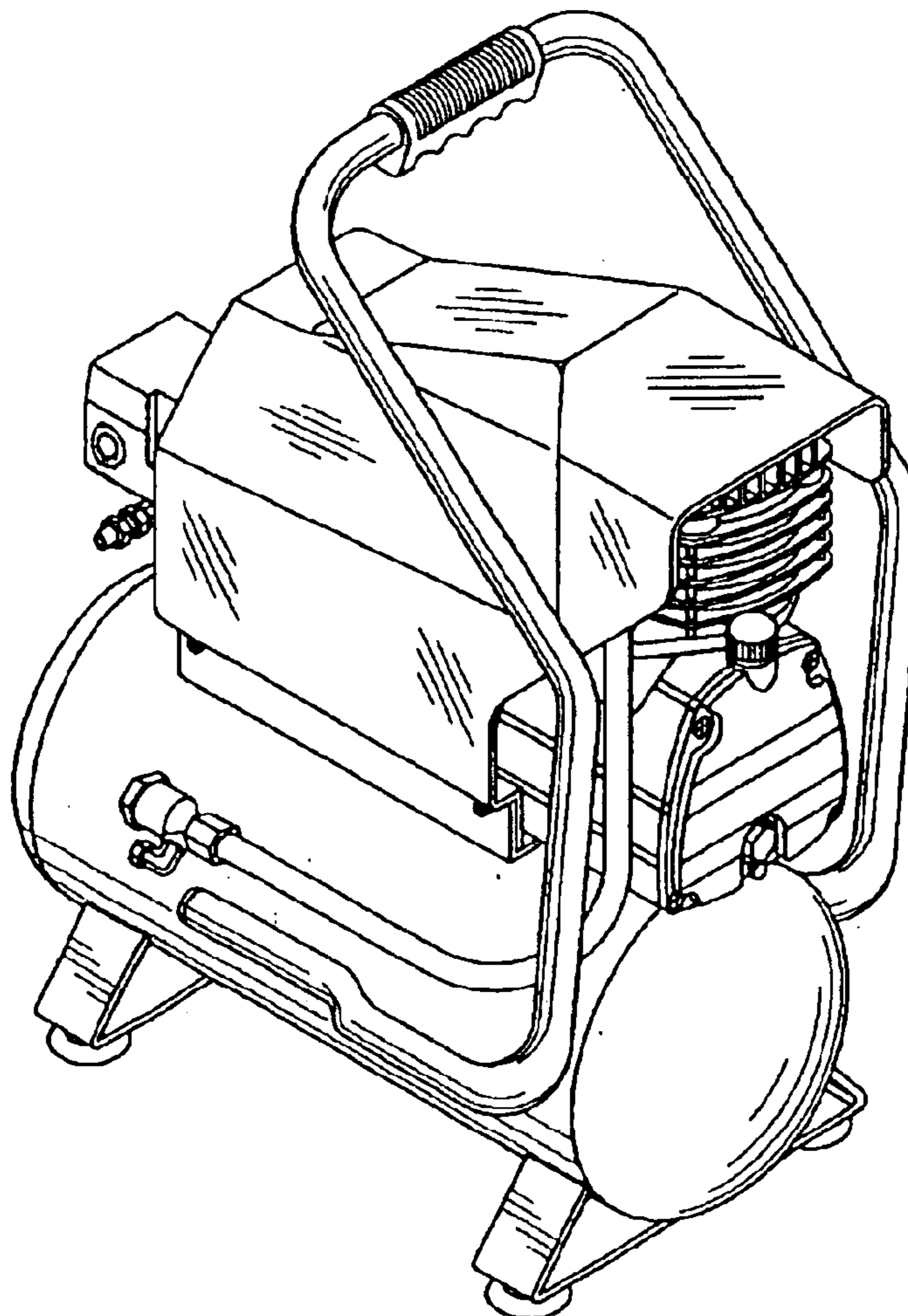
(57) **CLAIM**

The ornamental design for an electric compressor, as shown and described.

DESCRIPTION

FIG. 1. is a front elevational view of an electric compressor showing my new design;
FIG. 2. is a rear elevational view thereof;
FIG. 3. is a left side elevational view thereof;
FIG. 4. is a right side elevational view thereof;
FIG. 5. is a top plan view thereof;
FIG. 6. is a bottom plan view thereof; and,
FIG. 7. is a perspective view thereof.

1 Claim, 4 Drawing Sheets



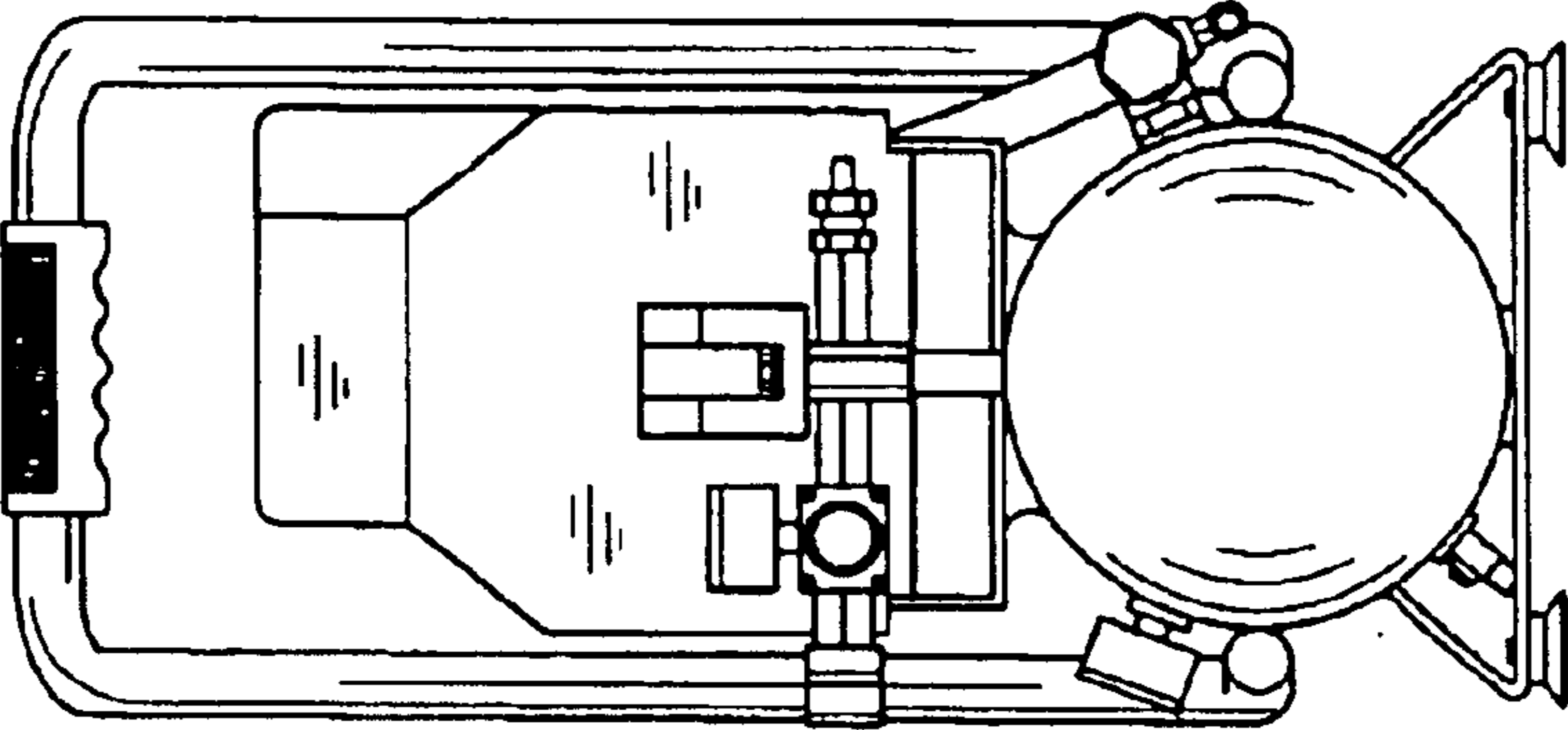


FIG. 2

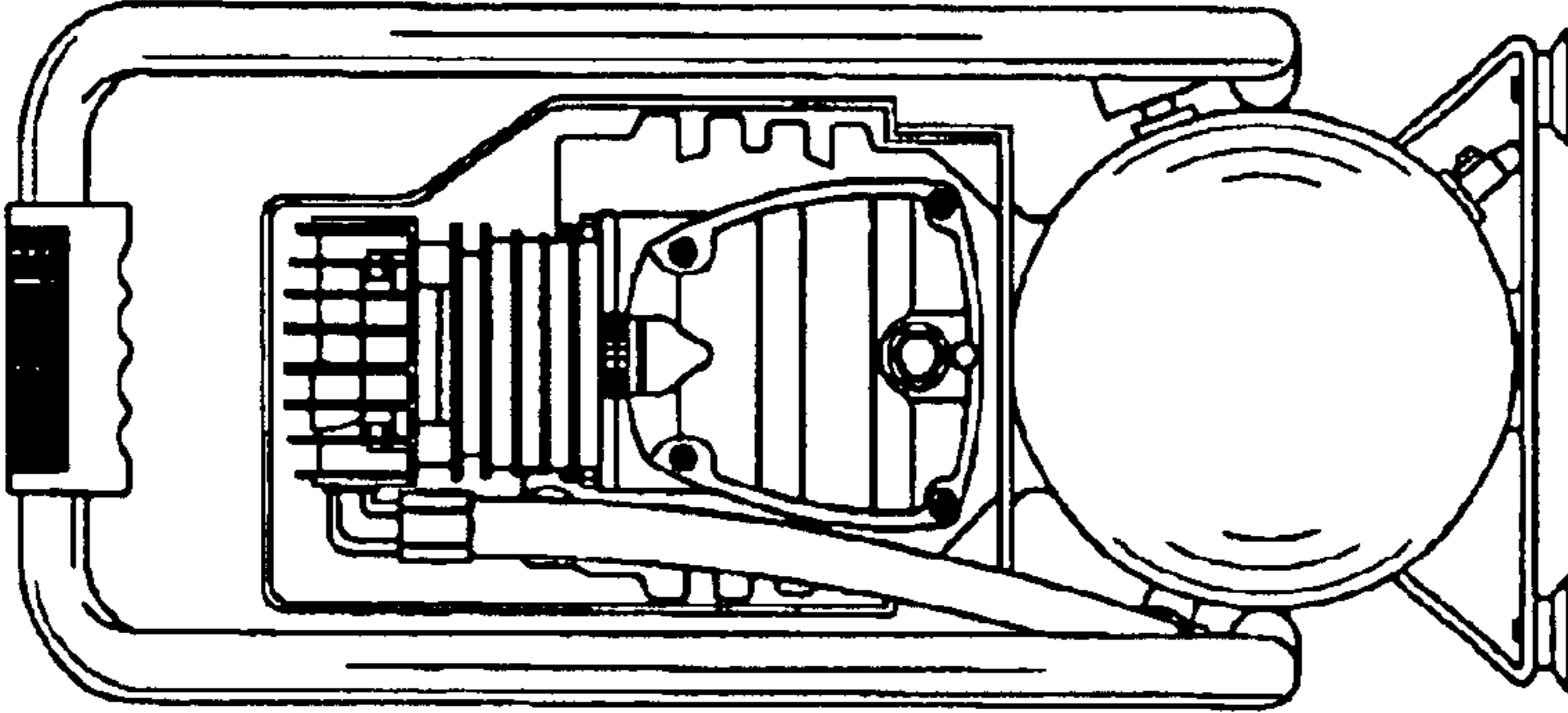


FIG. 1

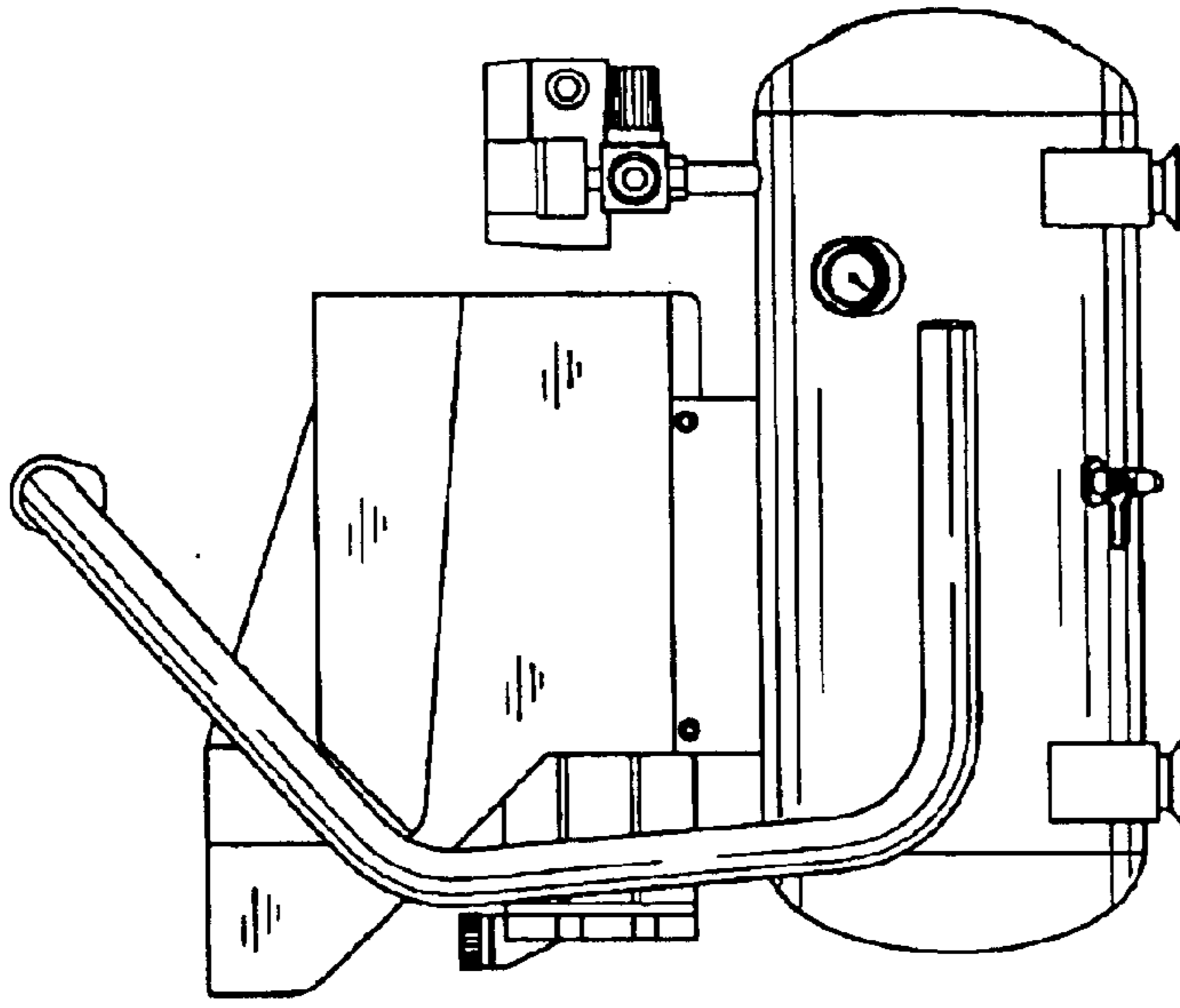


FIG. 4

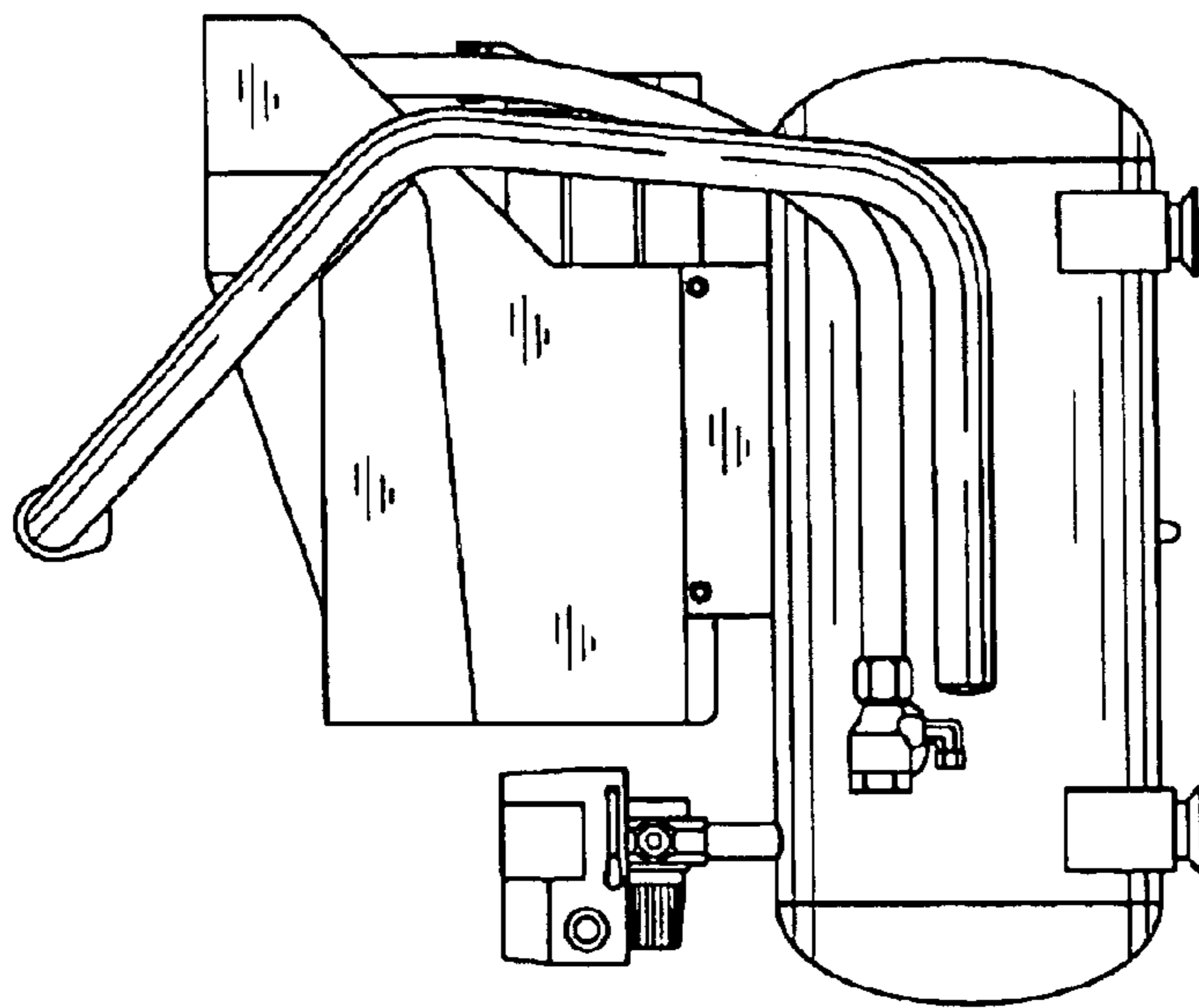


FIG. 3

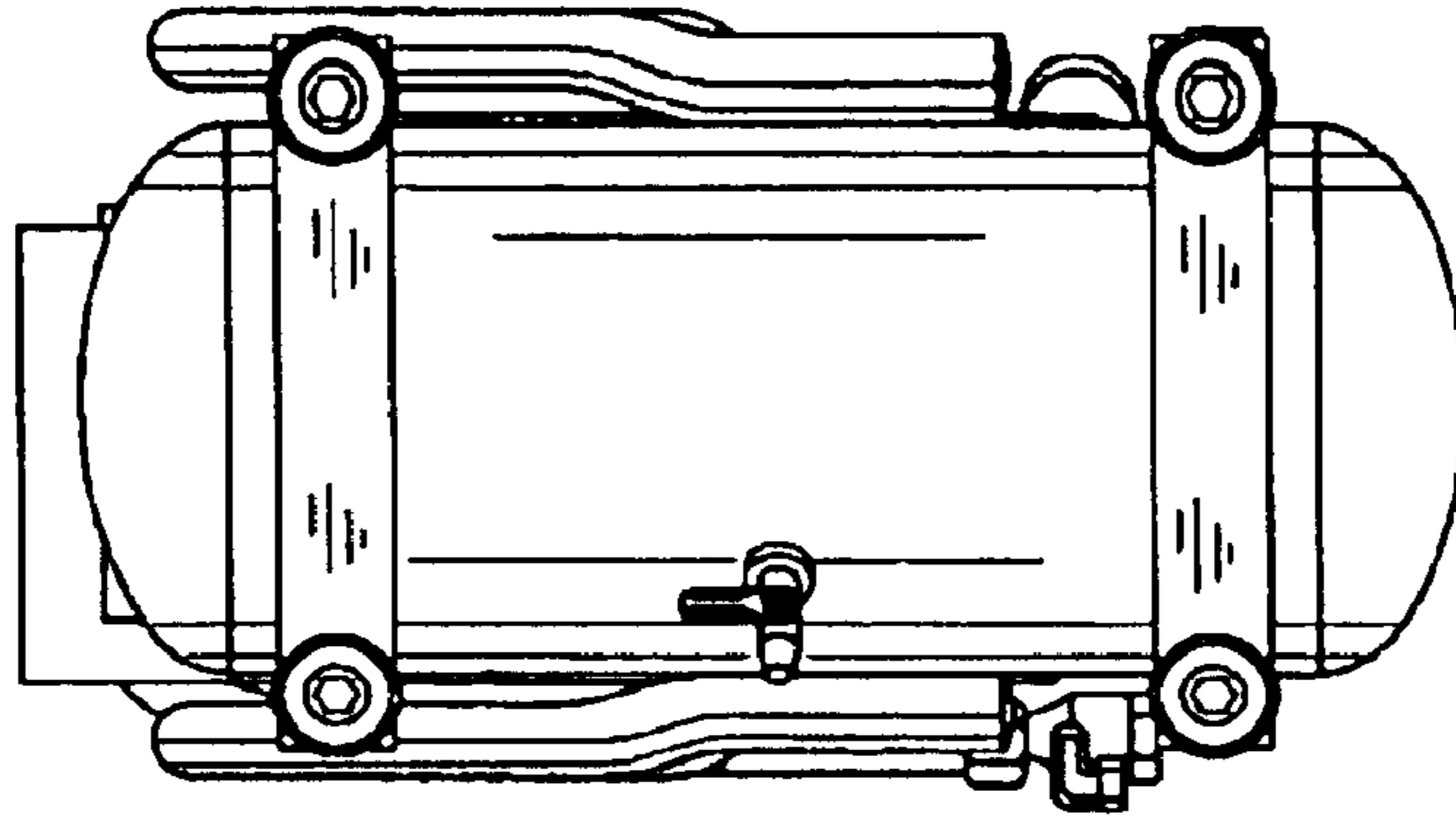


FIG. 6

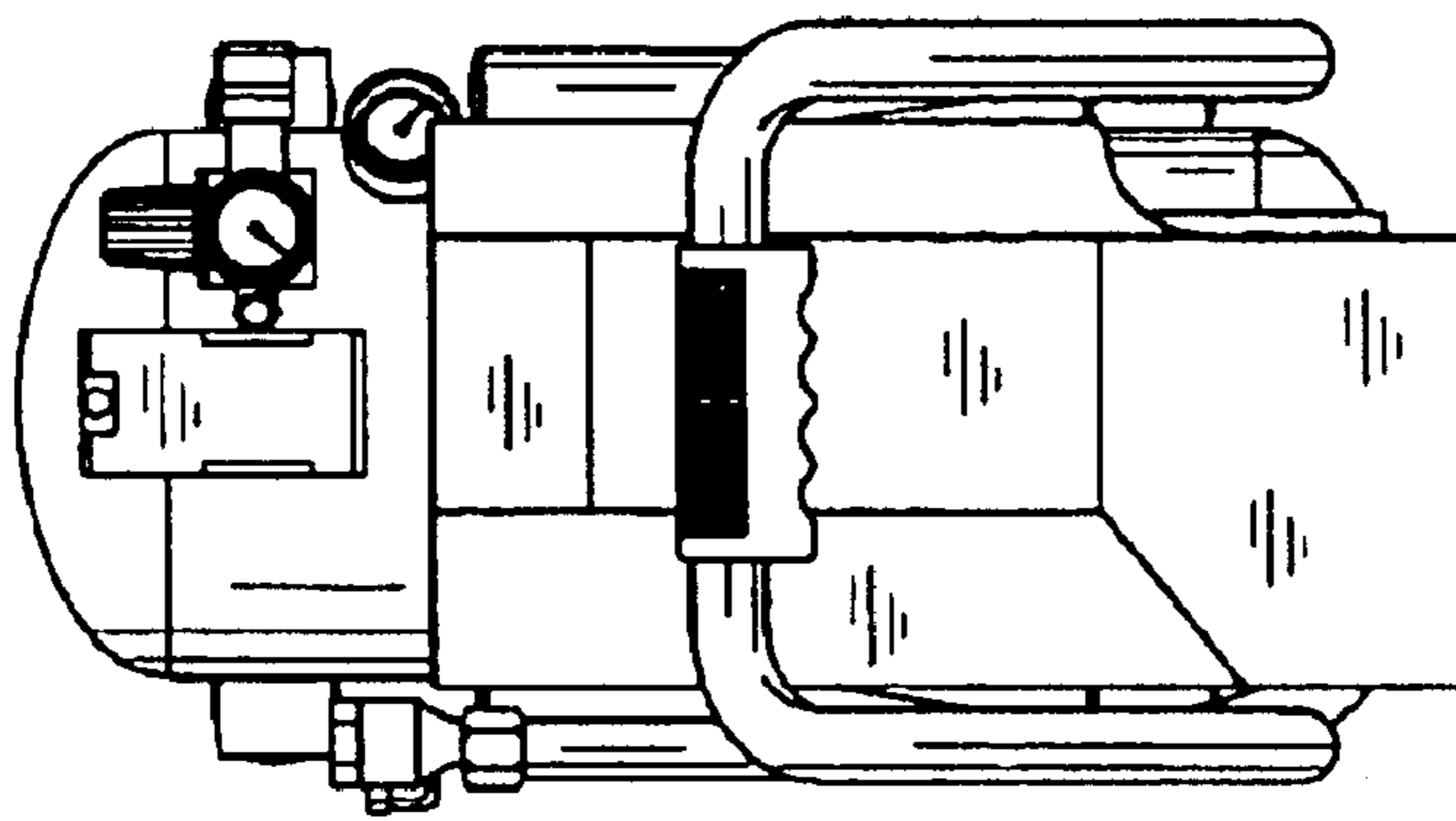


FIG. 5

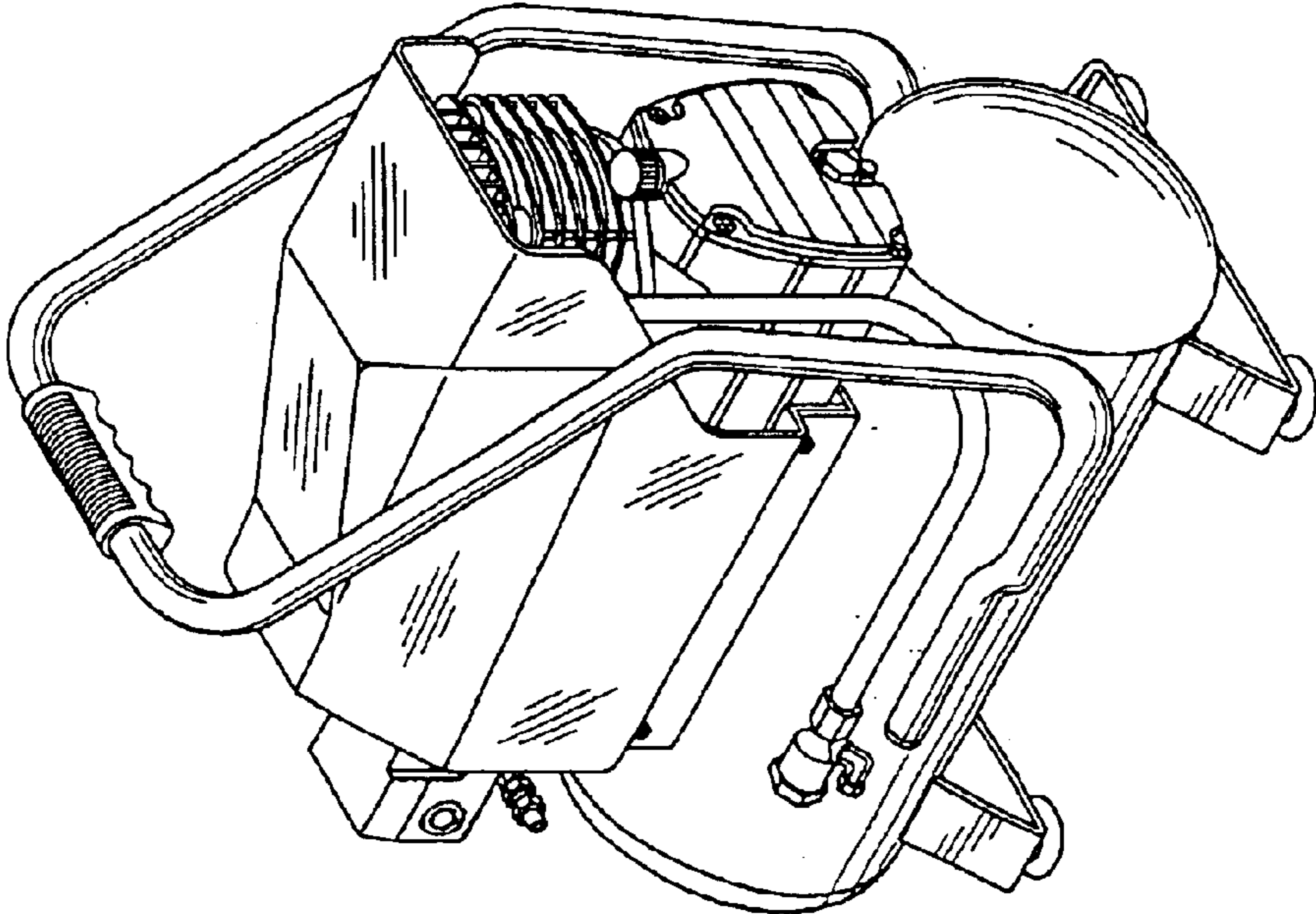


FIG. 7