

US00D499427S

(12) **United States Design Patent**
Wang

(10) **Patent No.:** **US D499,427 S**

(45) **Date of Patent:** **** Dec. 7, 2004**

(54) **AIR PUMP**

(76) **Inventor:** **Wei-Chi Wang**, 17-1 Fl., No. 457,
Cheng-Kung Rd, Tainan (TW)

(**) **Term:** **14 Years**

(21) **Appl. No.:** **29/198,884**

(22) **Filed:** **Feb. 6, 2004**

(51) **LOC (7) Cl.** **15-02**

(52) **U.S. Cl.** **D15/7**

(58) **Field of Search** D15/7-9; 417/321,
417/410, 413.1, 415, 423.3, 486, 521, 534;
415/148

(56) **References Cited**

U.S. PATENT DOCUMENTS

- 2,573,375 A * 10/1951 Winstead 206/225
- D358,398 S * 5/1995 Persson D15/7
- D463,452 S * 9/2002 Soderqvist D15/7

* cited by examiner

Primary Examiner—Ralf Seifert

(74) *Attorney, Agent, or Firm*—Alan D. Kamrath; Nikolai
& Mersereau, P.A.

(57) **CLAIM**

The ornamental design for an air pump, as shown and
described.

DESCRIPTION

FIG. 1 is a perspective view of an air pump, showing my
new design;

FIG. 2 is an enlarge front elevational view thereof;

FIG. 3 is an enlarge rear elevational view thereof;

FIG. 4 is a left elevational view thereof;

FIG. 5 is a right elevational view thereof;

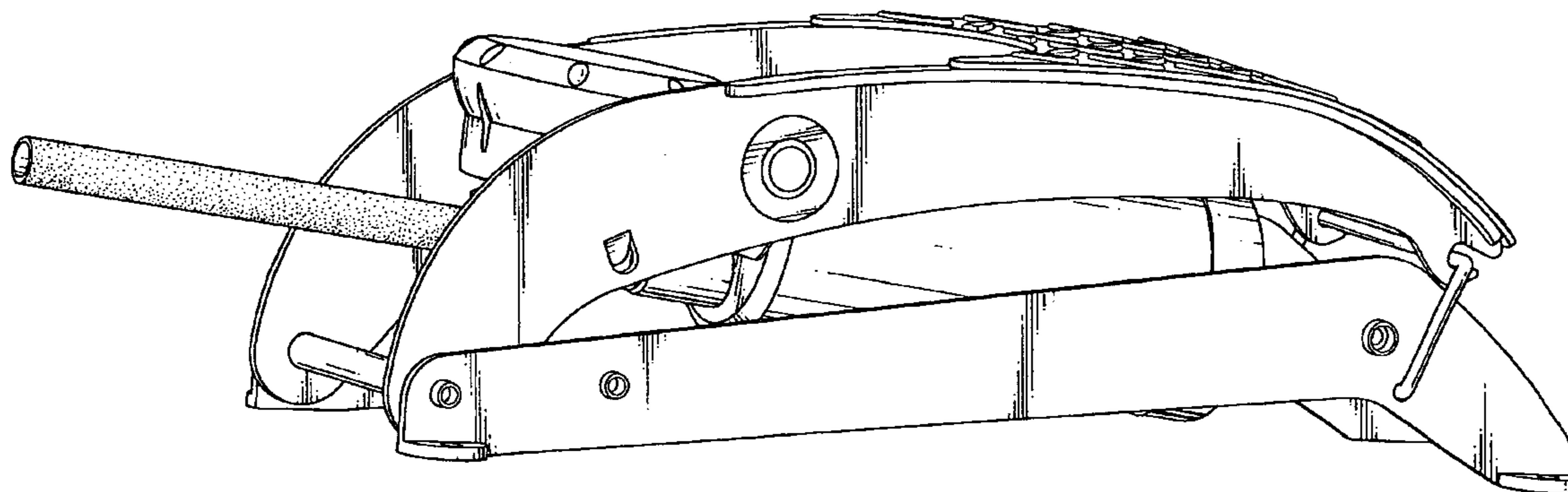
FIG. 6 is a top plan view thereof;

FIG. 7 is a bottom plan view thereof; and,

FIG. 8 is a perspective view of the air pump with an air
adapter for reference only.

It being understood that the broken lines are for illustrative
purposes only and form no part of the claimed design.

1 Claim, 7 Drawing Sheets



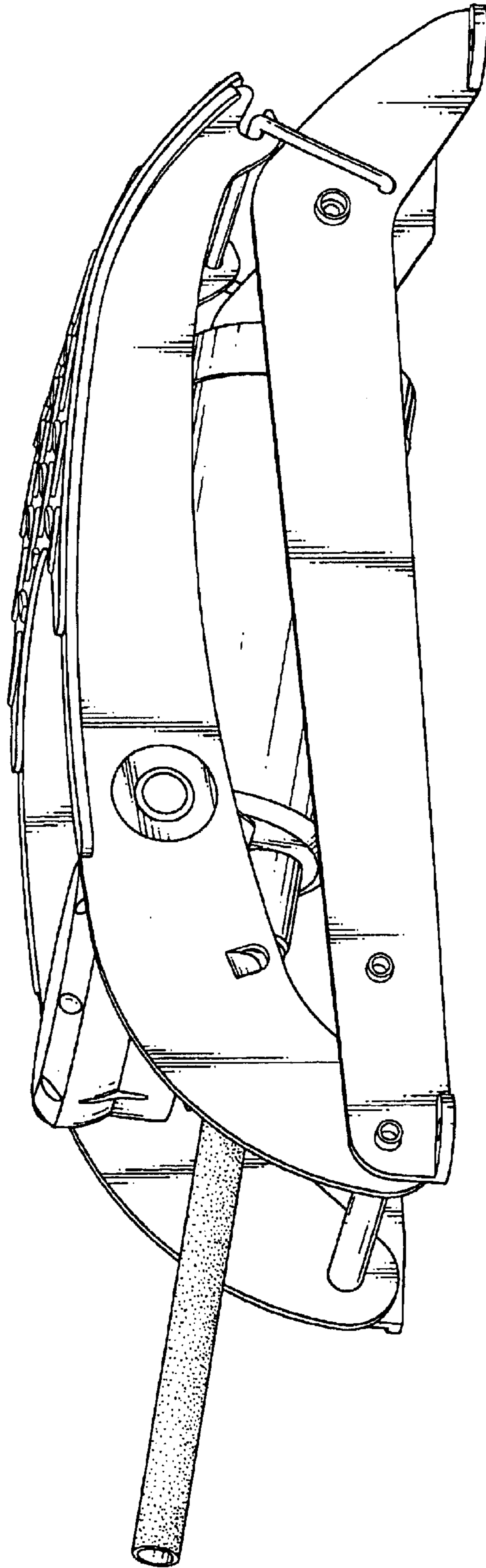


FIG.1

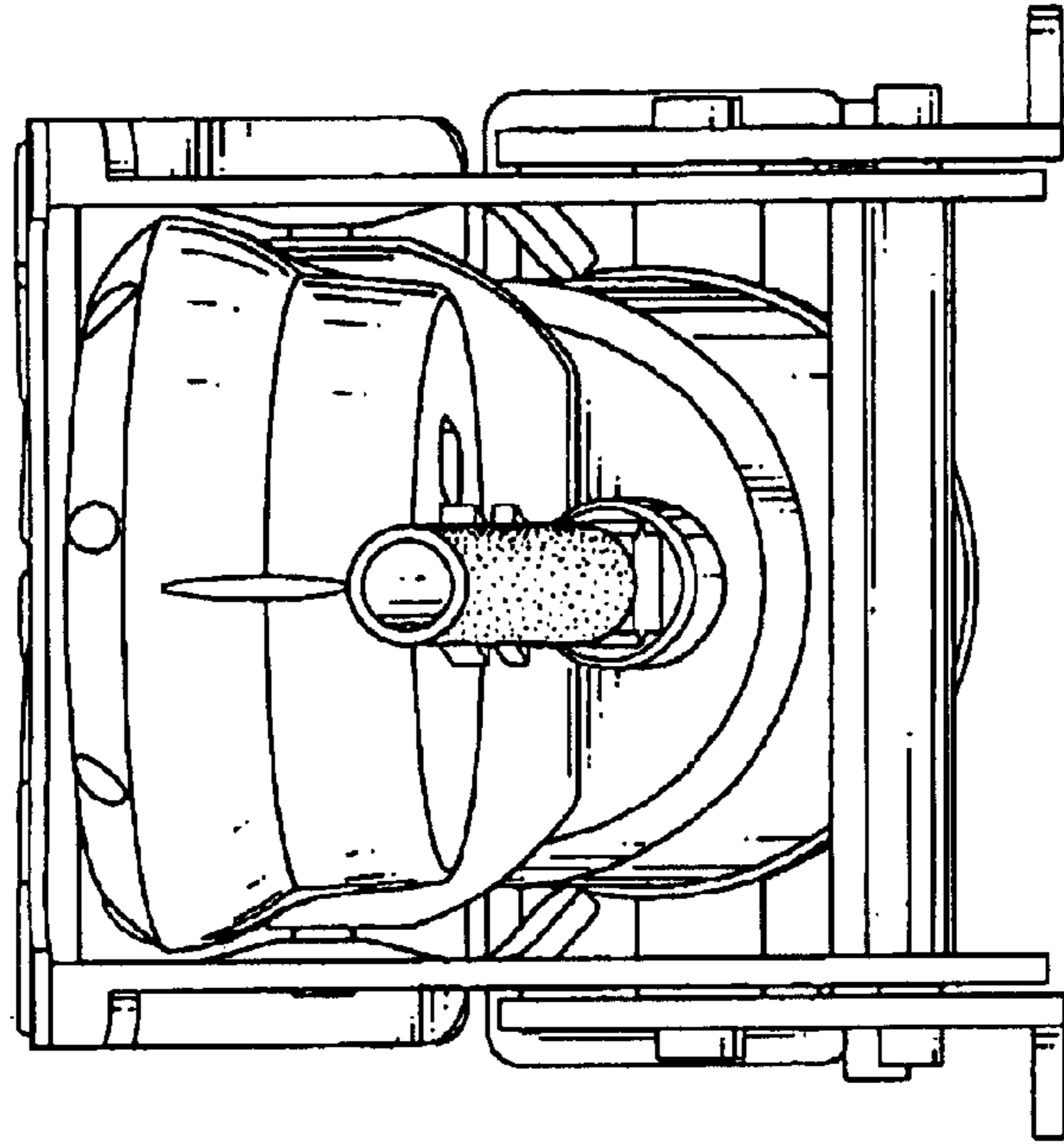


FIG. 2

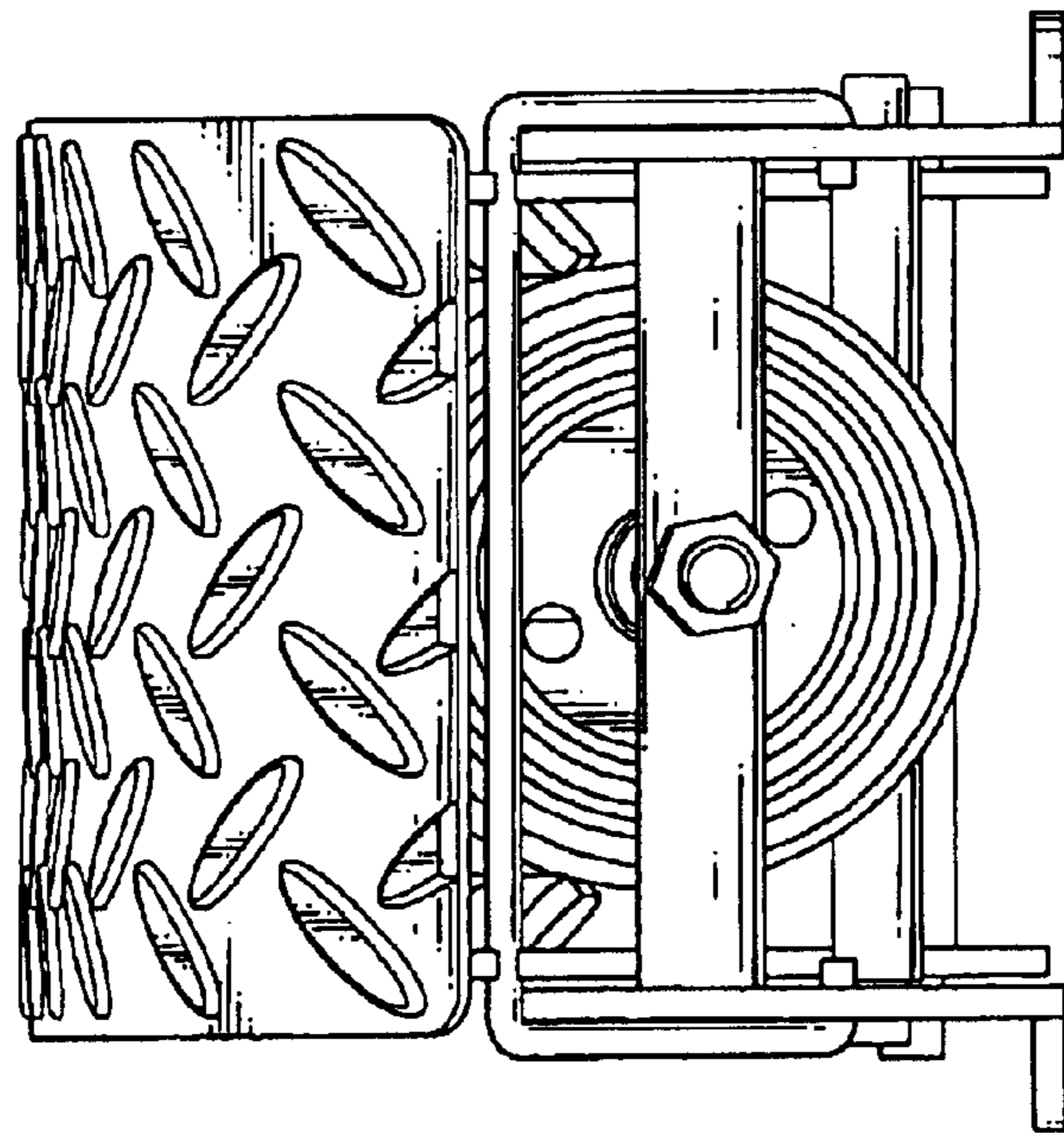


FIG. 3

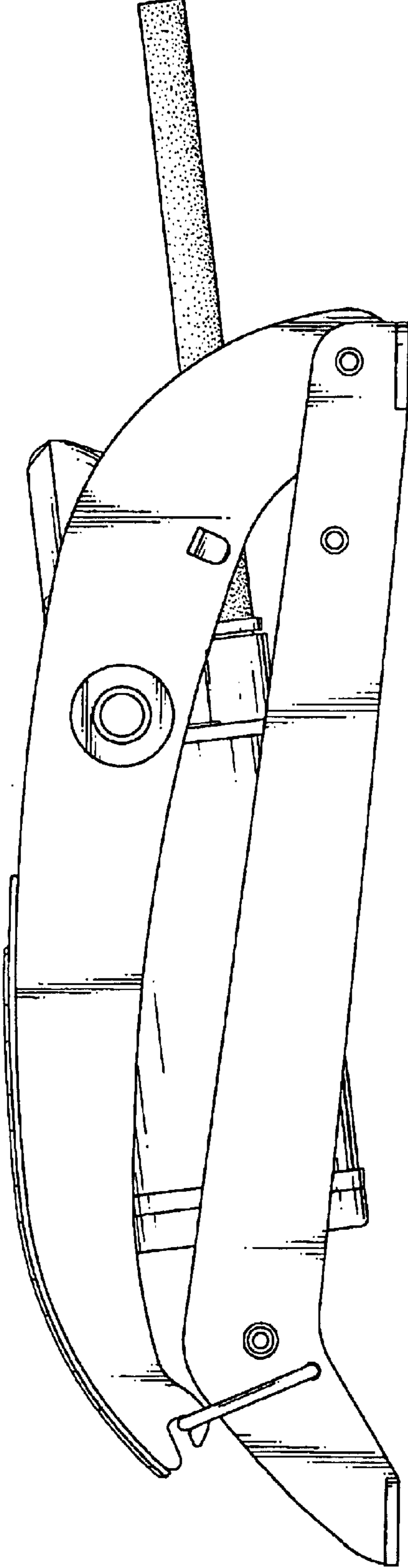


FIG. 4

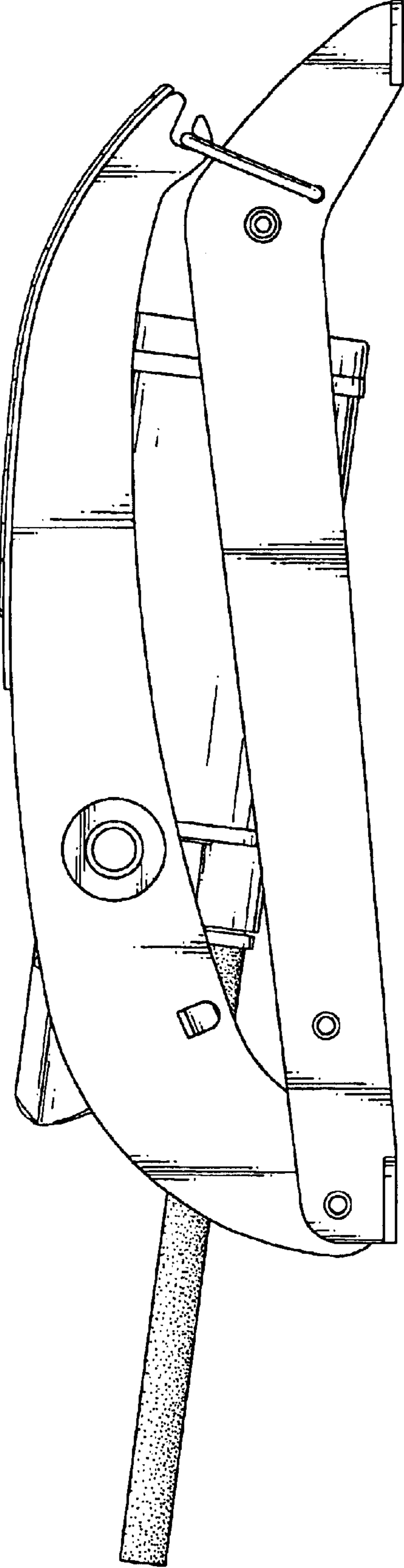


FIG. 5

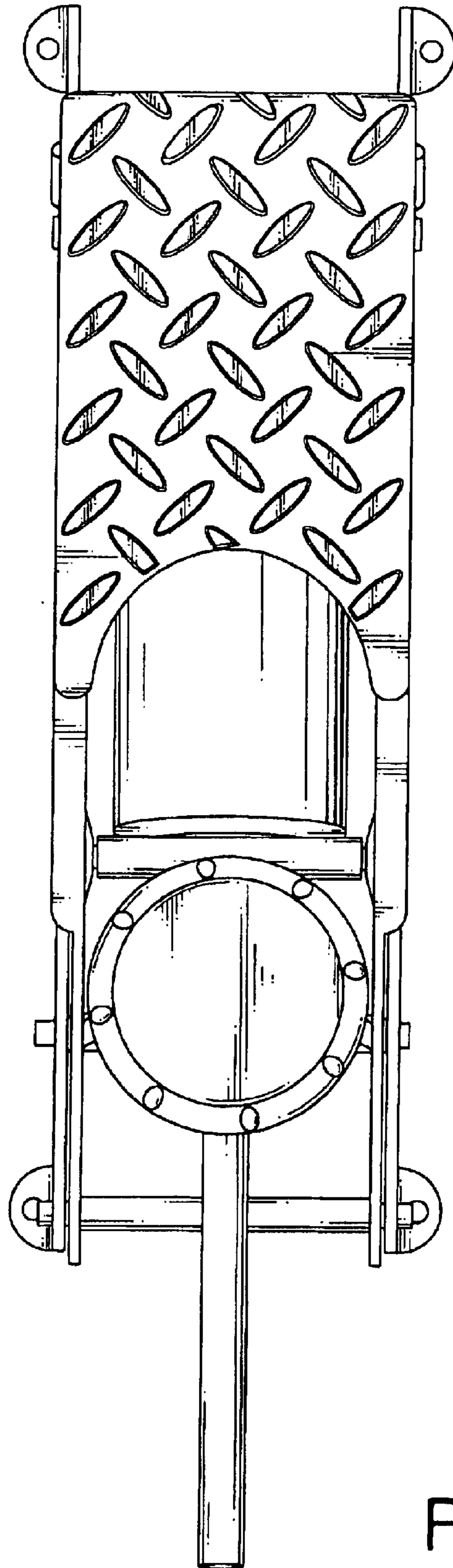


FIG. 6

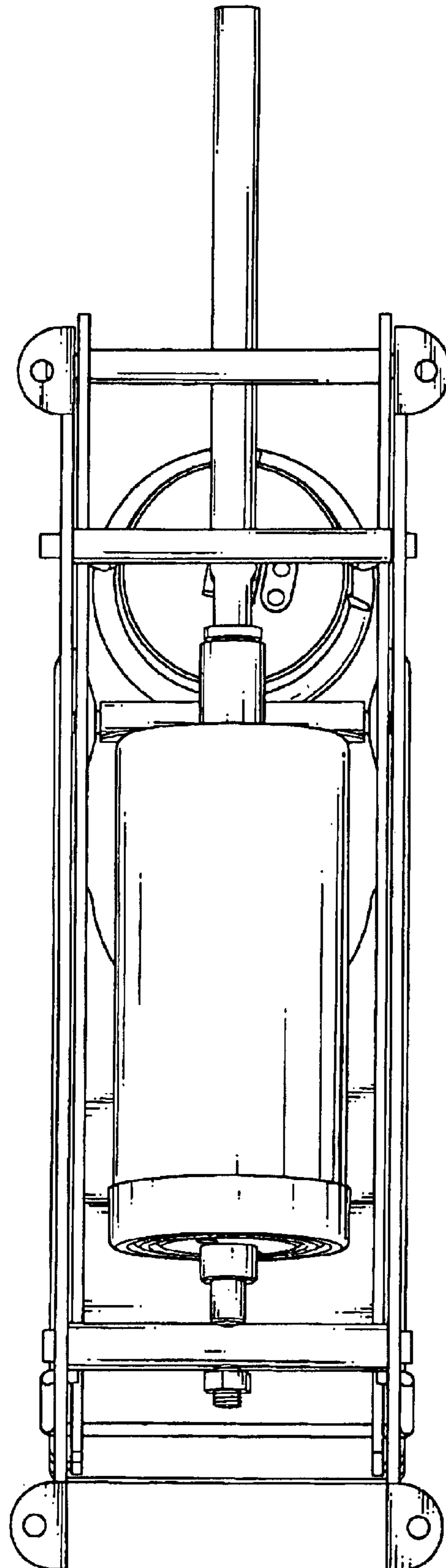


FIG. 7

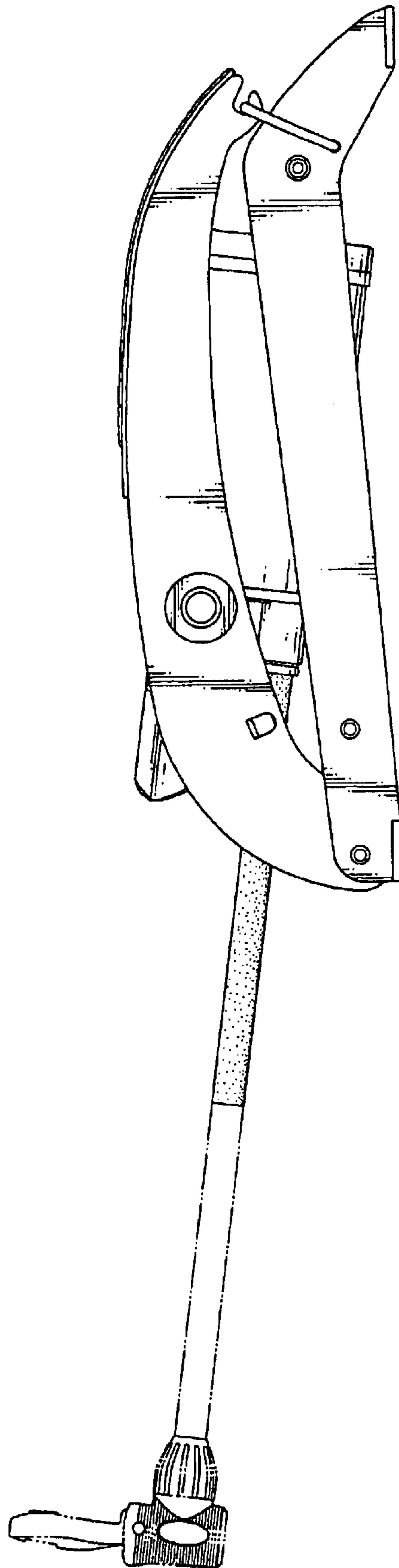


FIG. 8