

US00D499422S

(12) **United States Design Patent** (10) Patent No.: **US D499,422 S**
Nakata et al. (45) Date of Patent: **** Dec. 7, 2004**

(54) **DISK CARTRIDGE**

2004/0114276 A1 * 6/2004 Inoue et al. 360/133

(75) Inventors: **Kuniko Nakata**, Osaka (JP); **Teruyuki Takizawa**, Osaka (JP); **Yoshito Saji**, Hyogo (JP); **Hironori Okazawa**, Osaka (JP)

FOREIGN PATENT DOCUMENTS

JP	1019310 S	8/1998
JP	1019967 S	8/1998
JP	1039161 S	5/1999
JP	1124272 S	10/2001
JP	1124273 S	10/2001
JP	1124537 S	10/2001
JP	1155191 S	10/2002
JP	1178984 S	7/2003
JP	1189144 S	11/2003

(73) Assignee: **Matsushita Electric Industrial Co., Ltd.**, Kadoma (JP)

(**) Term: **14 Years**

* cited by examiner

(21) Appl. No.: **29/204,439**

Primary Examiner—M. H. Tung

(22) Filed: **Apr. 29, 2004**

(74) *Attorney, Agent, or Firm*—Christensen O'Connor Johnson Kindness PLLC

(30) **Foreign Application Priority Data**

Jan. 15, 2004 (JP) 2004-000774

(51) **LOC (7) Cl.** **14-99**

(52) **U.S. Cl.** **D14/478**

(58) **Field of Search** D14/432-3, 435, D14/478-80; D6/626-7, 407; 360/60, 129, 132-3, 135, 97.01-99.12; 206/312, 307, 308.1, 308.2, 472; 369/291, 273, 77.2

(57) **CLAIM**

The ornamental design for a disk cartridge, as shown and described.

(56) **References Cited**

U.S. PATENT DOCUMENTS

D231,470 S	*	4/1974	Klepa et al.	D14/479
D325,468 S	*	4/1992	Ohba	D14/479
D364,858 S	*	12/1995	McGrath et al.	D14/479
D378,518 S	*	3/1997	Sumner et al.	D14/479
D406,831 S	*	3/1999	Takahashi et al.	D14/479
2001/0022765 A1	*	9/2001	Sanada et al.	369/75.2
2004/0022172 A1	*	2/2004	Obata et al.	369/291

DESCRIPTION

FIG. 1 is a perspective view of the front, top and right side of a disk cartridge showing our new design;
 FIG. 2 is a top plan view thereof;
 FIG. 3 is a bottom view thereof;
 FIG. 4 is a front view thereof;
 FIG. 5 is a right side view thereof;
 FIG. 6 is a left side view thereof;
 FIG. 7 is a rear view thereof; and,
 FIG. 8 is a perspective view of the front, top and right side thereof, the shutter is shown in open condition.

1 Claim, 4 Drawing Sheets

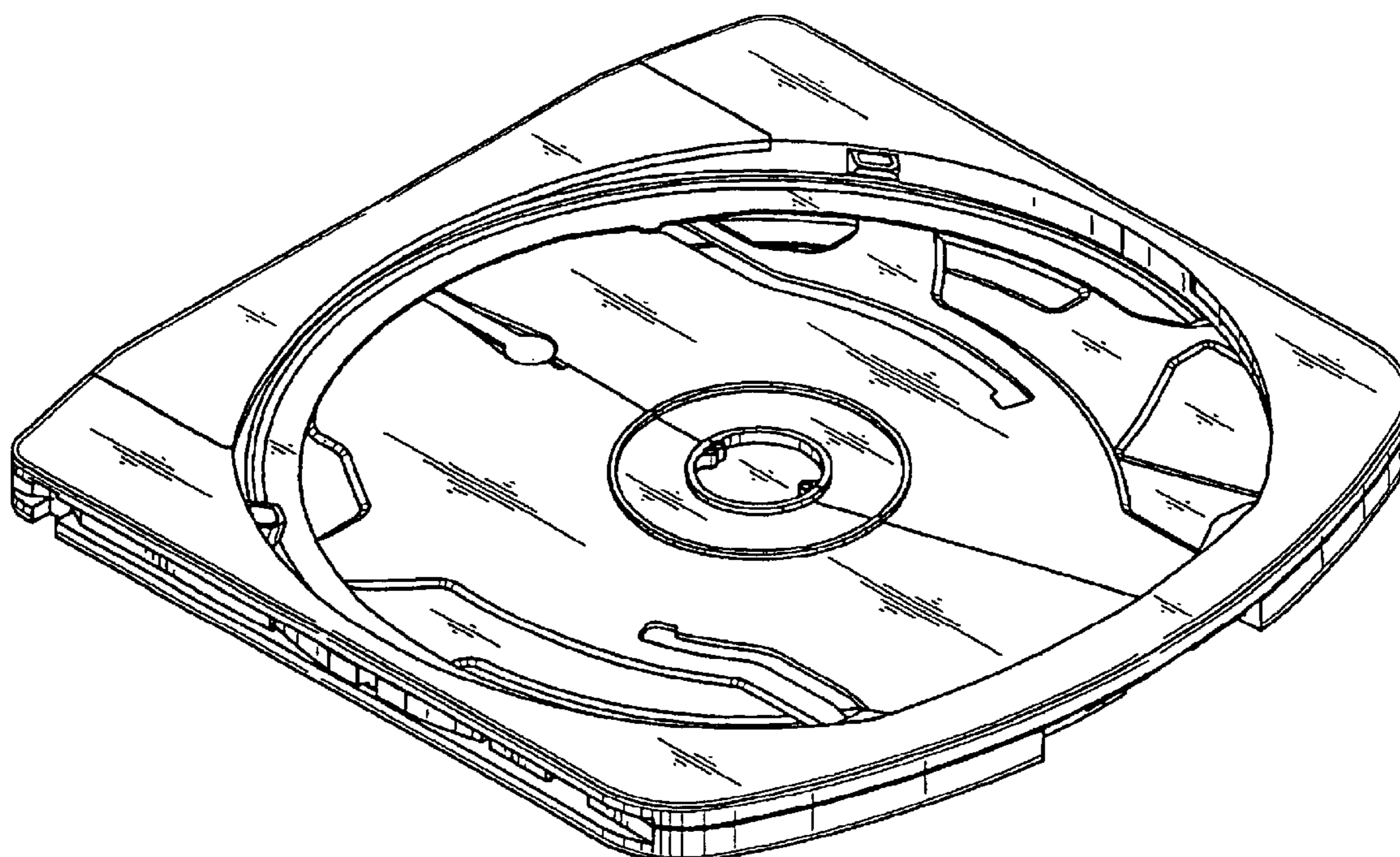


FIG. 1

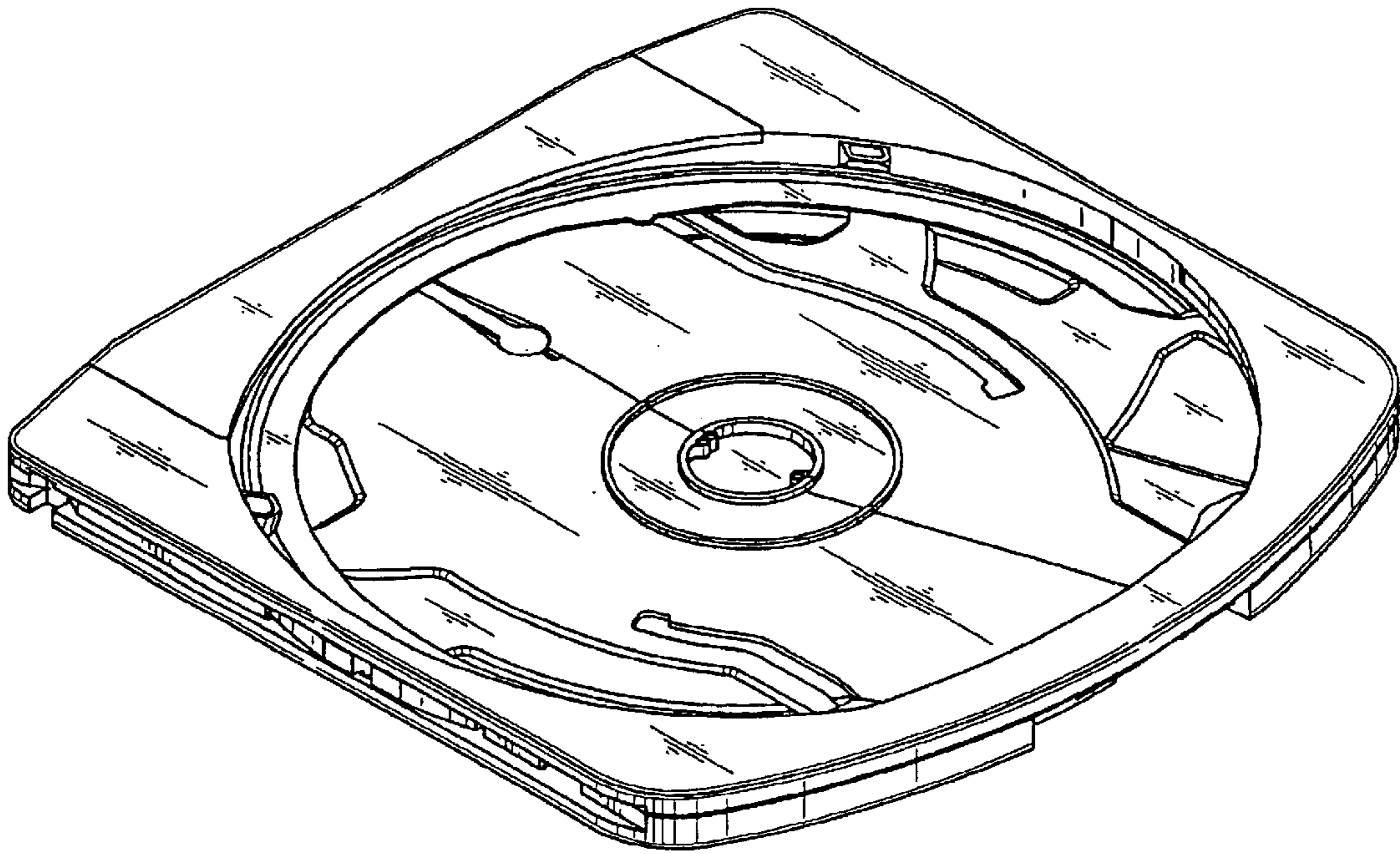


FIG. 2



FIG. 3



FIG. 5

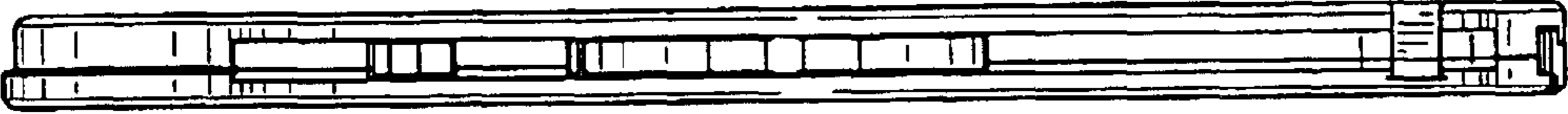


FIG. 4

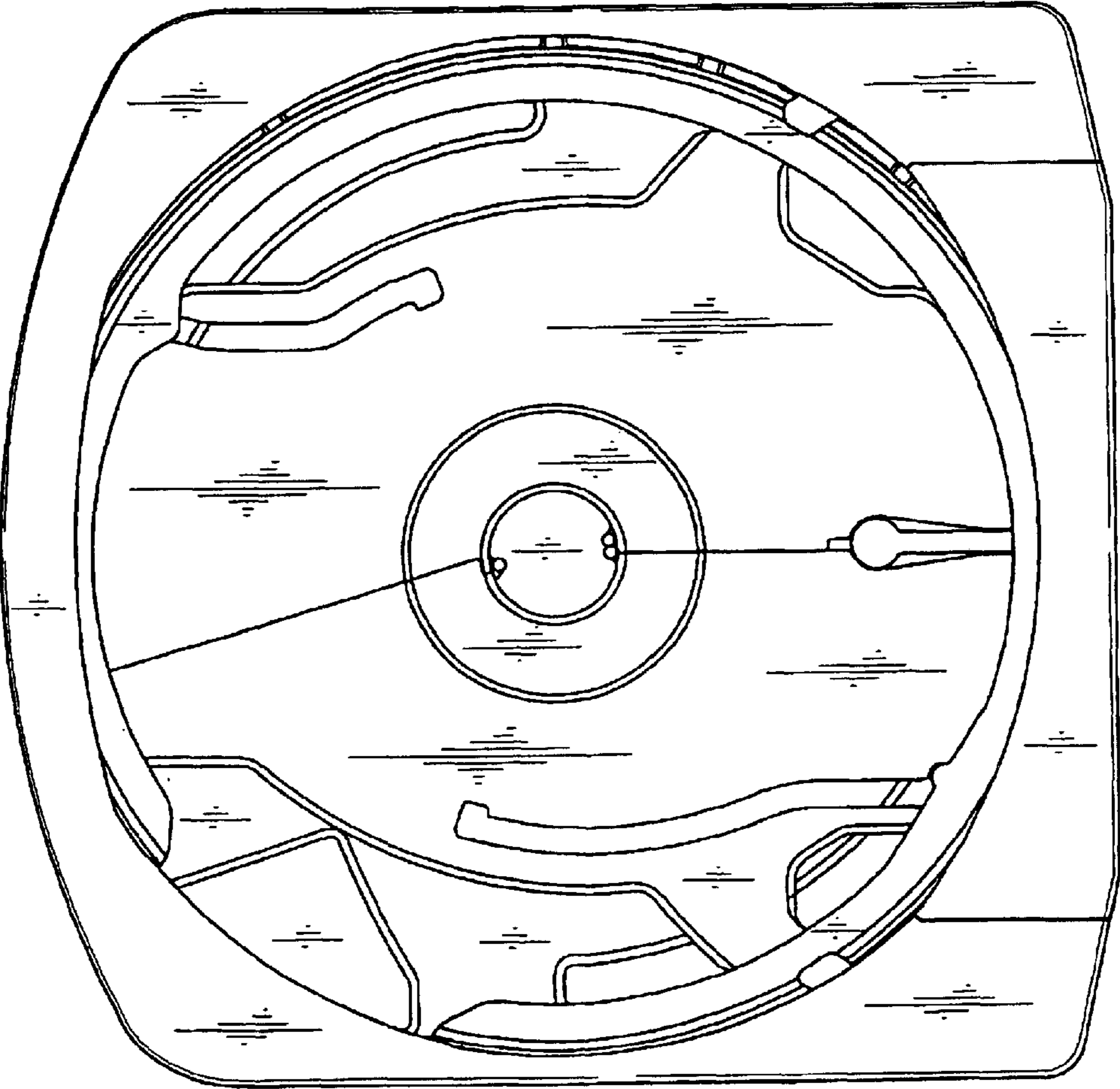


FIG. 7

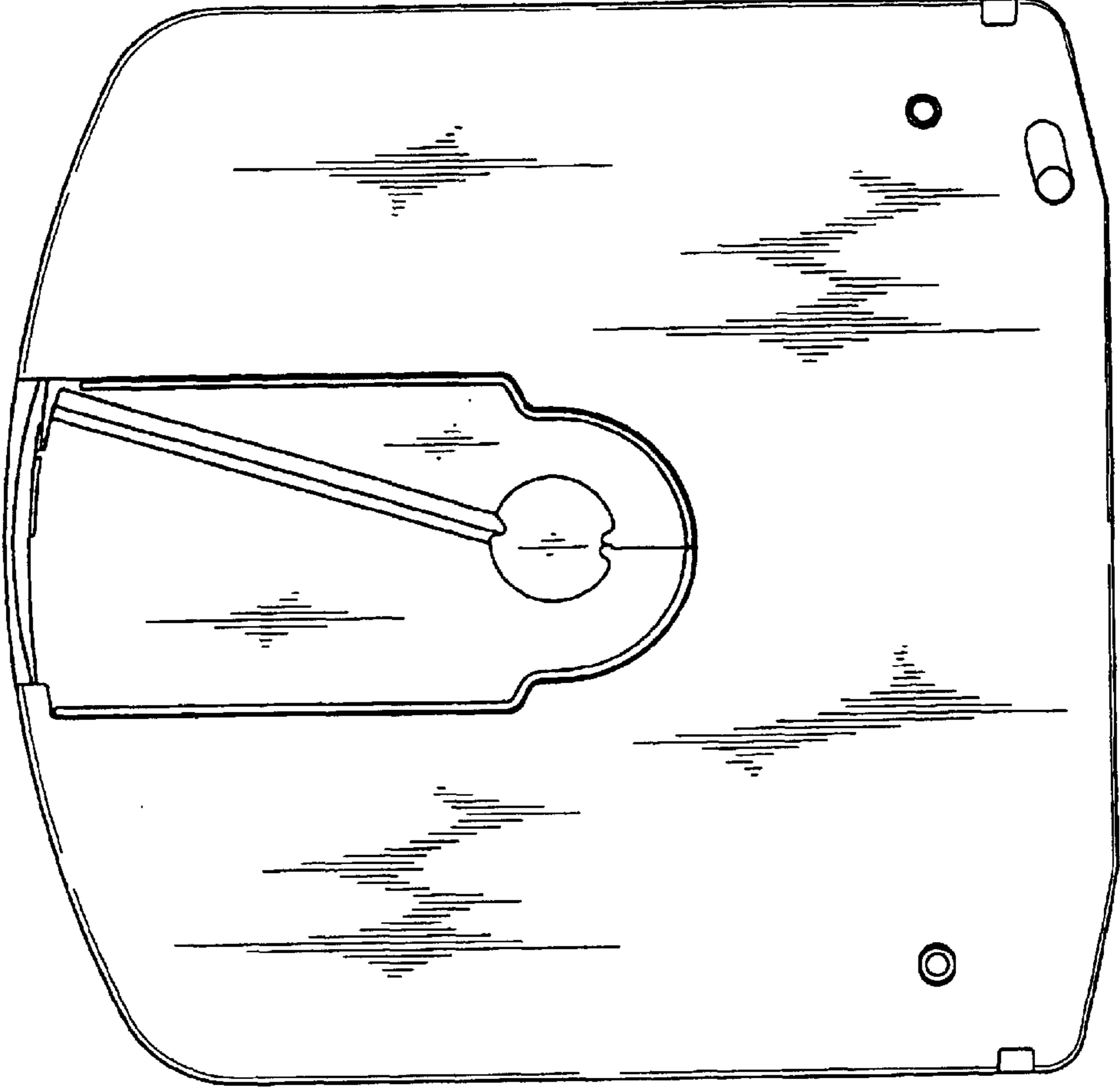


FIG. 6

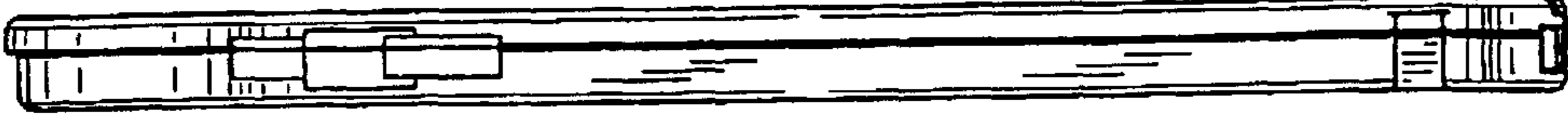


FIG. 8

