

US00D499399S

(12) **United States Design Patent**
Hao

(10) **Patent No.:** **US D499,399 S**
(45) **Date of Patent:** **** Dec. 7, 2004**

(54) **COMBINED HANDS FREE PHONE DEVICE AND EAR PIECE**

6,512,826 B1 * 1/2003 Kim 379/420.04
2002/0086717 A1 7/2002 Lai

(75) Inventor: **Liu Zheng Hao**, Zhongshan (CN)

* cited by examiner

(73) Assignee: **Overbreak, LLC**, Sun Valley, CA (US)

Primary Examiner—Charles A. Rademaker
(74) *Attorney, Agent, or Firm*—Blakely, Sokoloff, Taylor & Zafman, LLP

(**) Term: **14 Years**

(57) **CLAIM**

(21) Appl. No.: **29/174,303**

The ornamental design for a combined hands free phone device and ear piece, as shown and described.

(22) Filed: **Jan. 14, 2003**

(51) **LOC (7) Cl.** **14-03**

(52) **U.S. Cl.** **D14/240**

(58) **Field of Search** D14/240–242,
D14/243, 137, 138, 245, 204, 210; 379/433.01–433.13,
419.441, 442, 432, 428.01–428.04, 438,
420.01–420.04, 454, 455; 455/550–575,
90, 569; D13/110–115

DESCRIPTION

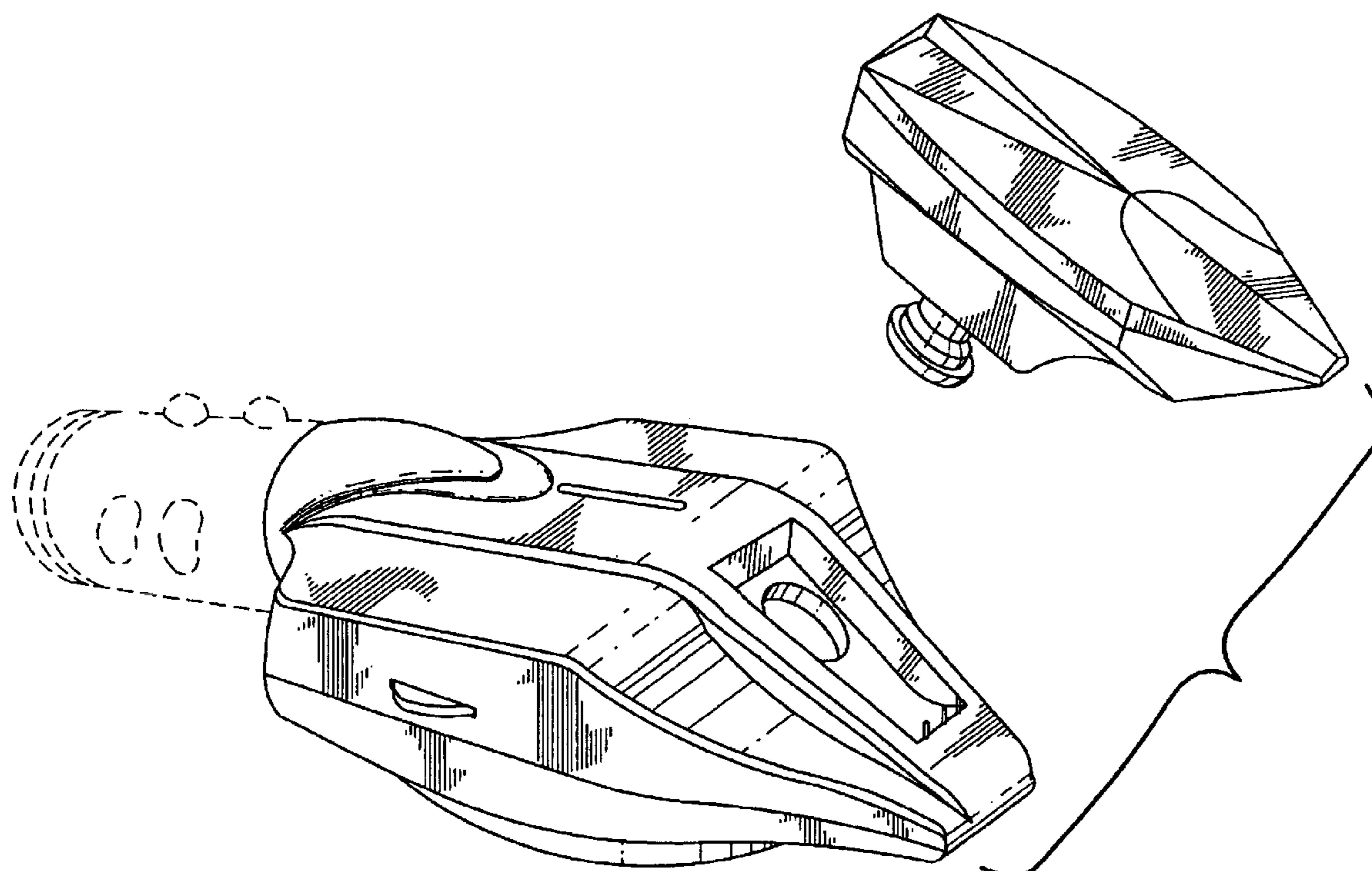
(56) **References Cited**

U.S. PATENT DOCUMENTS

- D369,811 S * 5/1996 Chen D14/248
- D387,065 S * 12/1997 Volan et al. D14/243
- D404,037 S * 1/1999 Gomez et al. D14/240
- 6,081,594 A * 6/2000 Tseng 379/420.02
- D430,148 S * 8/2000 DeLeon D14/240
- D432,527 S * 10/2000 DeLeon D14/240
- D464,957 S * 10/2002 Guccione D14/240
- D465,781 S * 11/2002 Fischer D14/240
- D467,911 S * 12/2002 Lee D14/243

FIG. 1 is a perspective view of a combined hands free phone device and earpiece showing my new design;
 FIG. 2 is a top plan view thereof;
 FIG. 3 is a bottom plan view thereof;
 FIG. 4 is a rear elevation thereof;
 FIG. 5 is a front elevation thereof;
 FIG. 6 is a side elevation thereof;
 FIG. 7 is front perspective view thereof showing the ear-piece member removed;
 FIG. 8 is a top plan thereof of the hands free phone device only;
 FIG. 9 is a bottom plan view of the earpiece member; and,
 FIG. 10 is a side elevation view thereof, other side opposite being substantially a mirror image.
 The broken lines in the figures are for environmental purpose only and form no part of the claimed design.

1 Claim, 8 Drawing Sheets



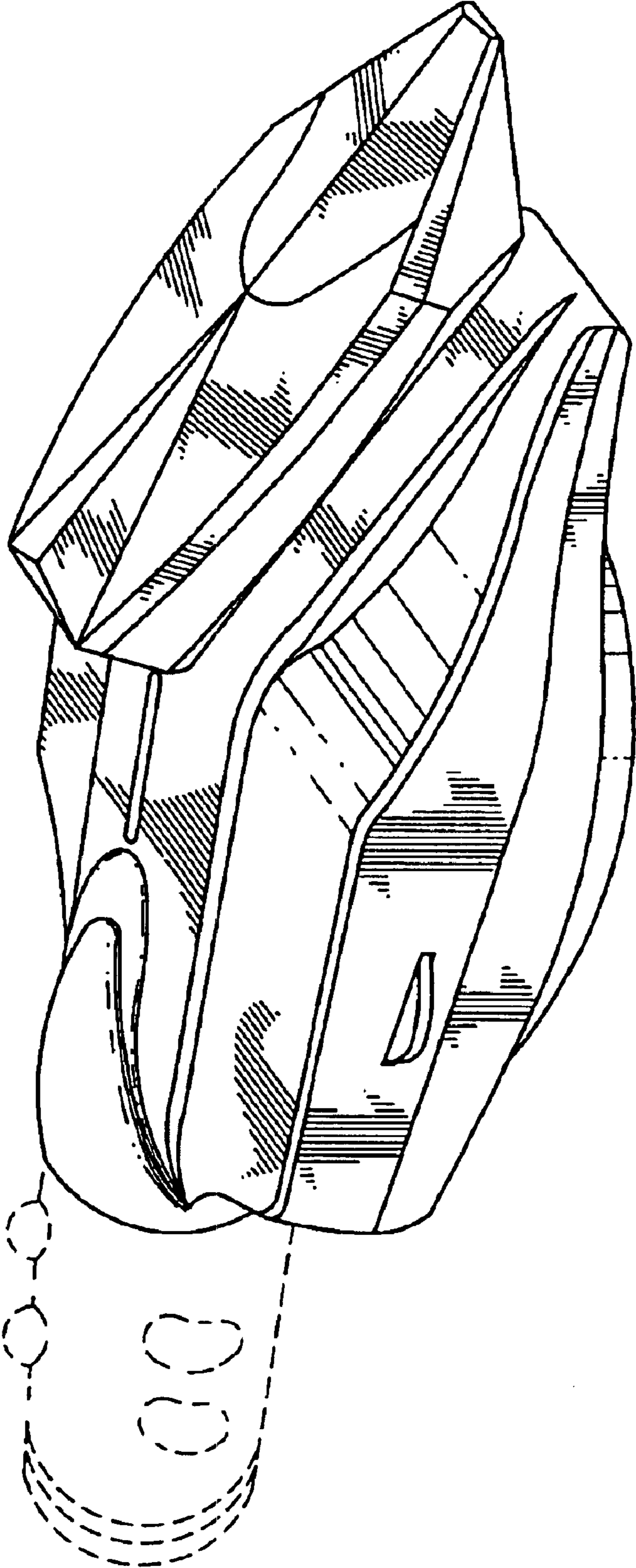


FIG. 1

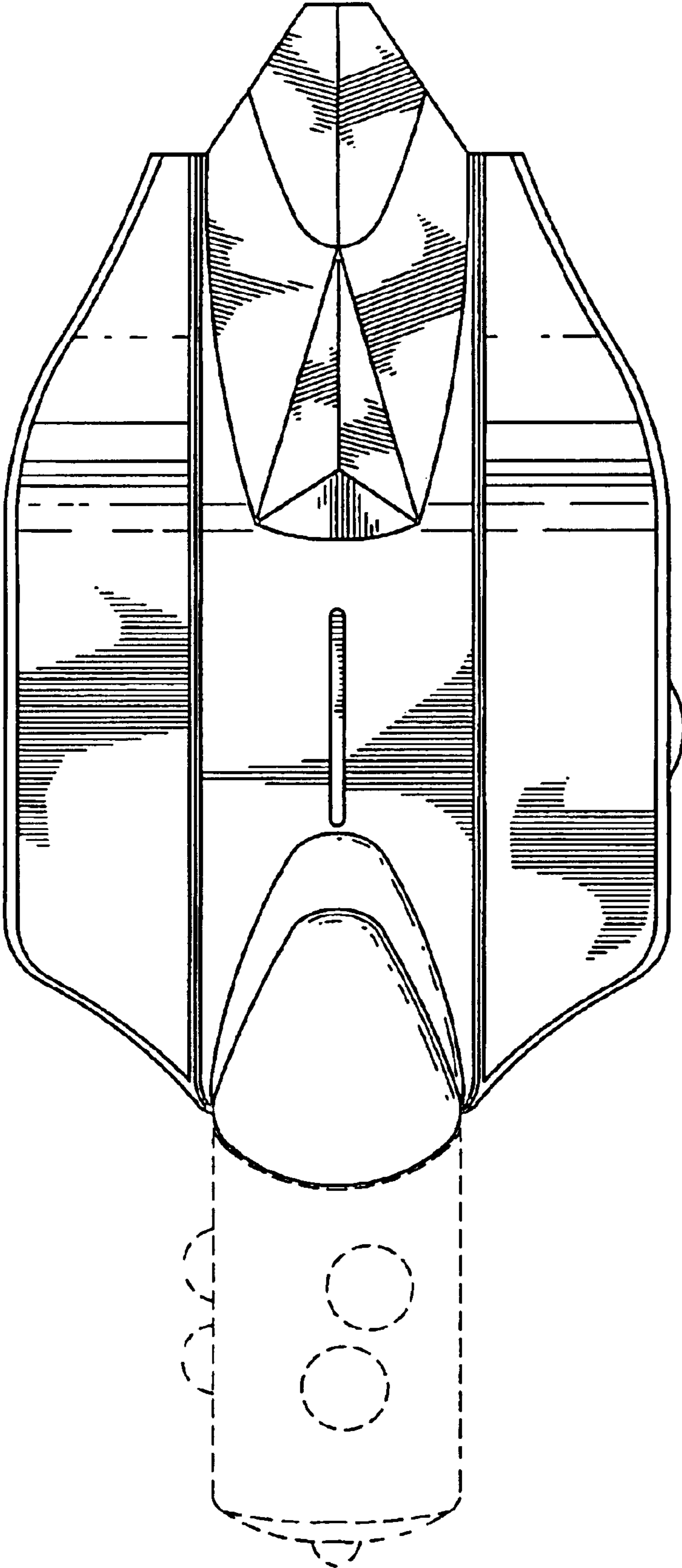


FIG. 2

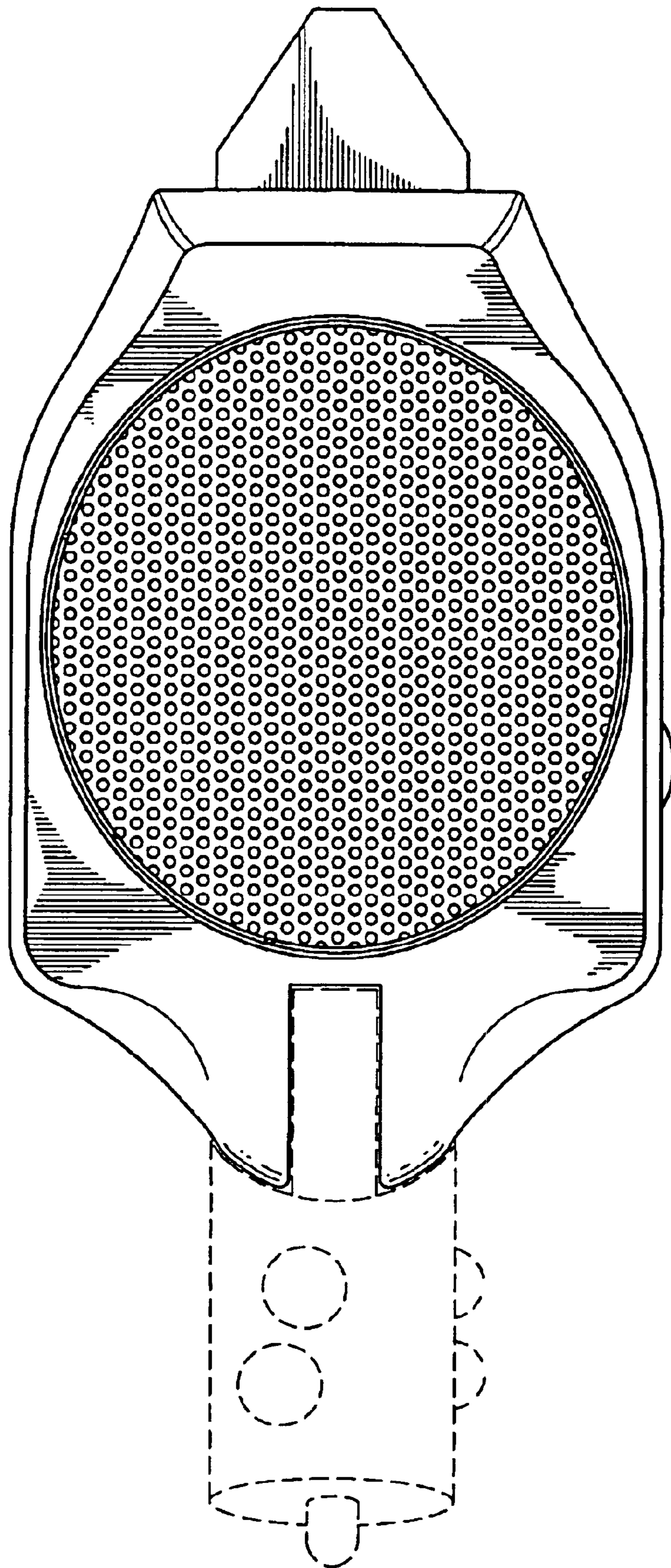


FIG. 3

FIG. 4

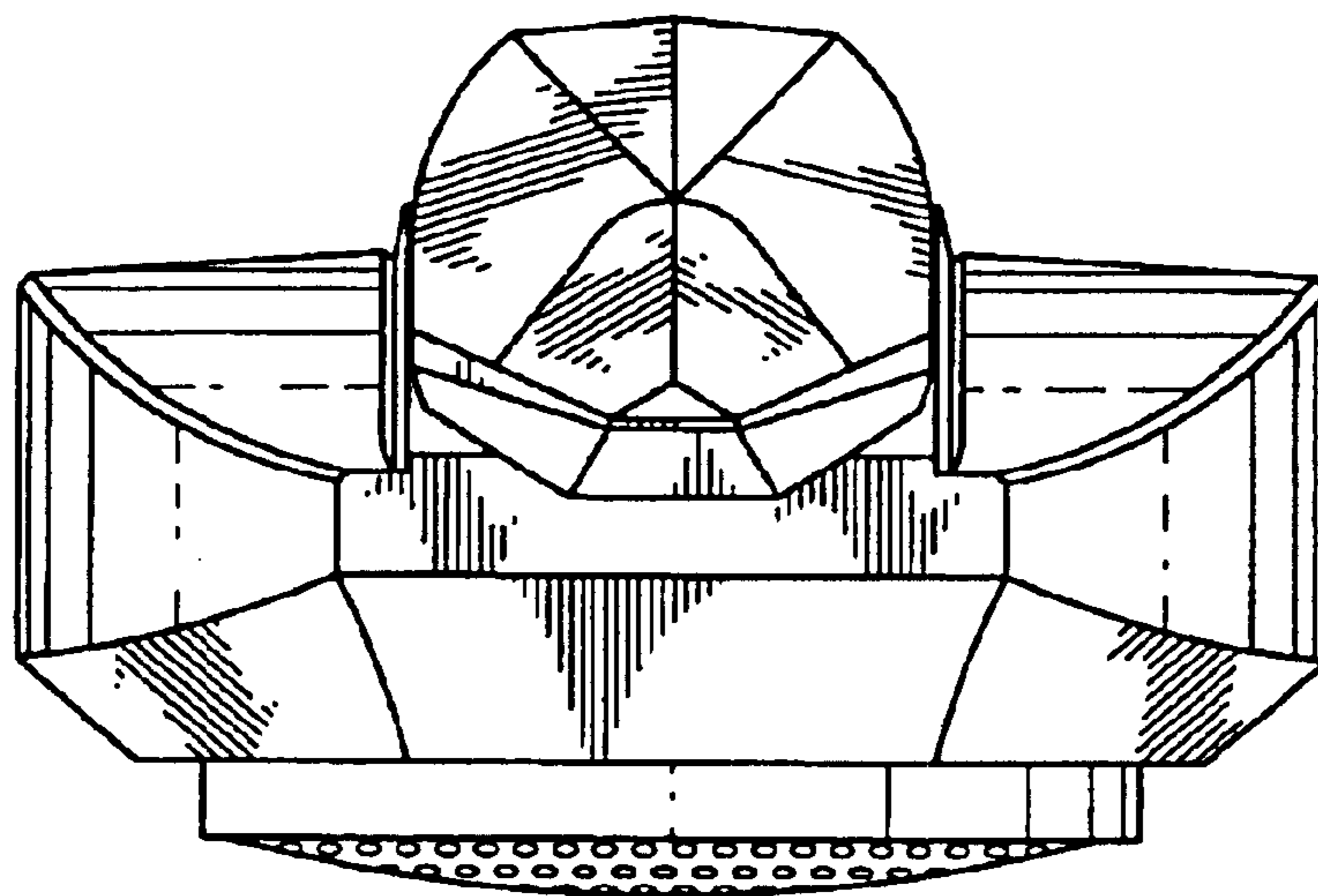
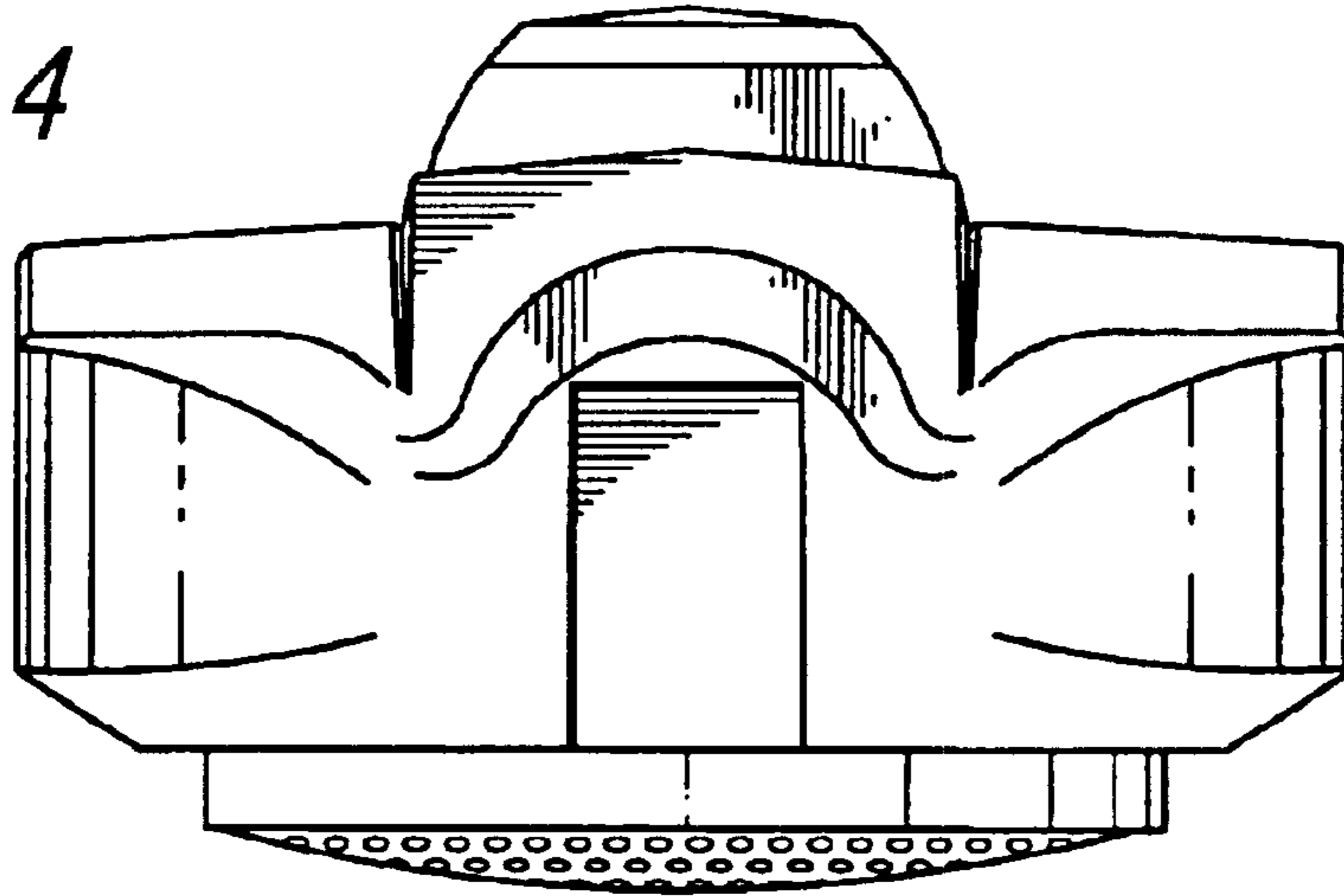


FIG. 5

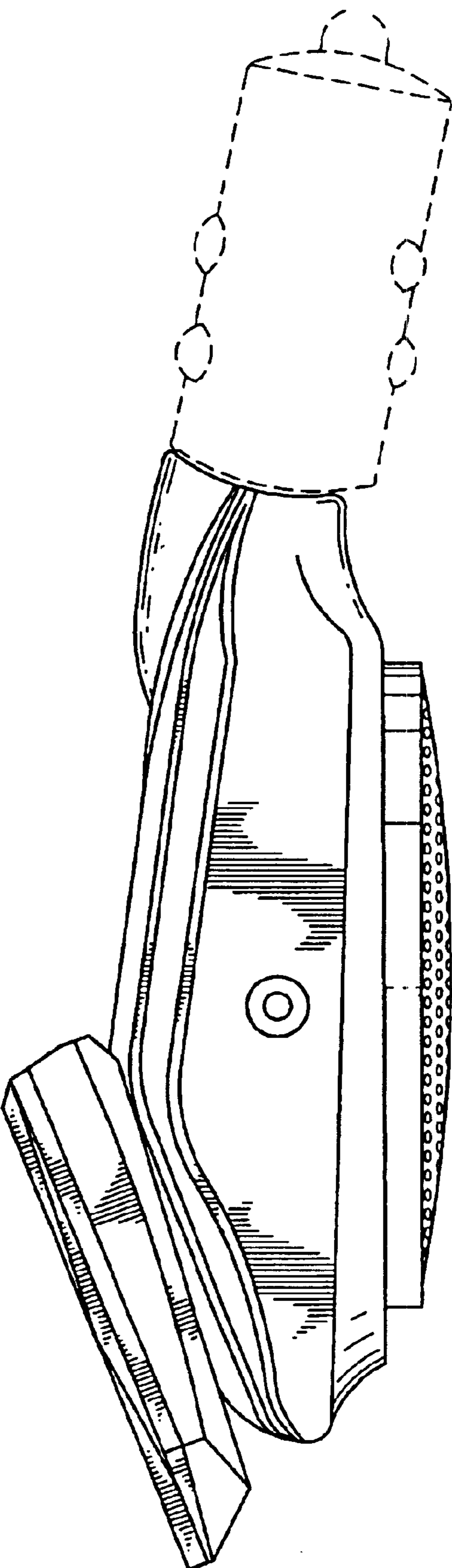


FIG. 6

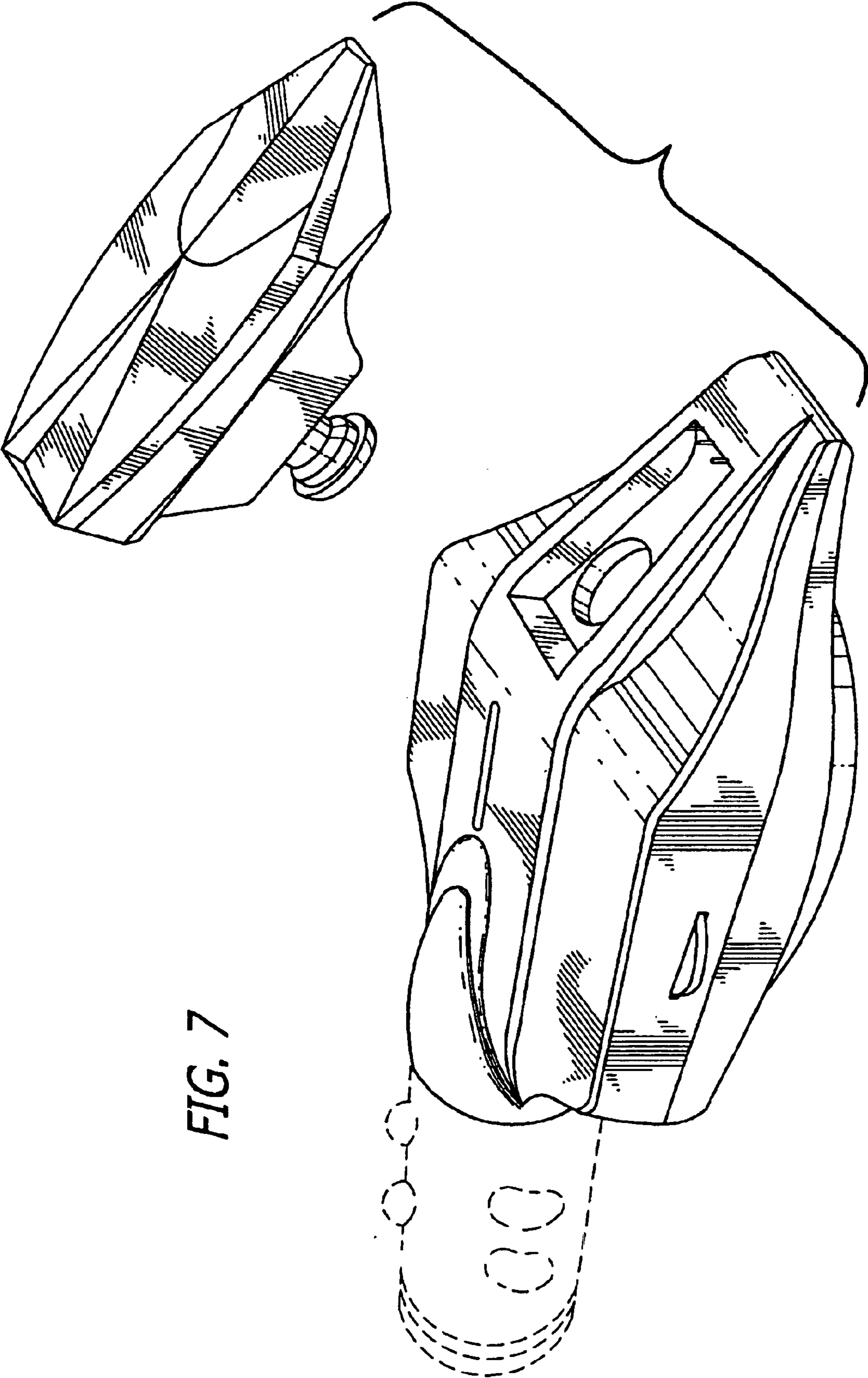


FIG. 7

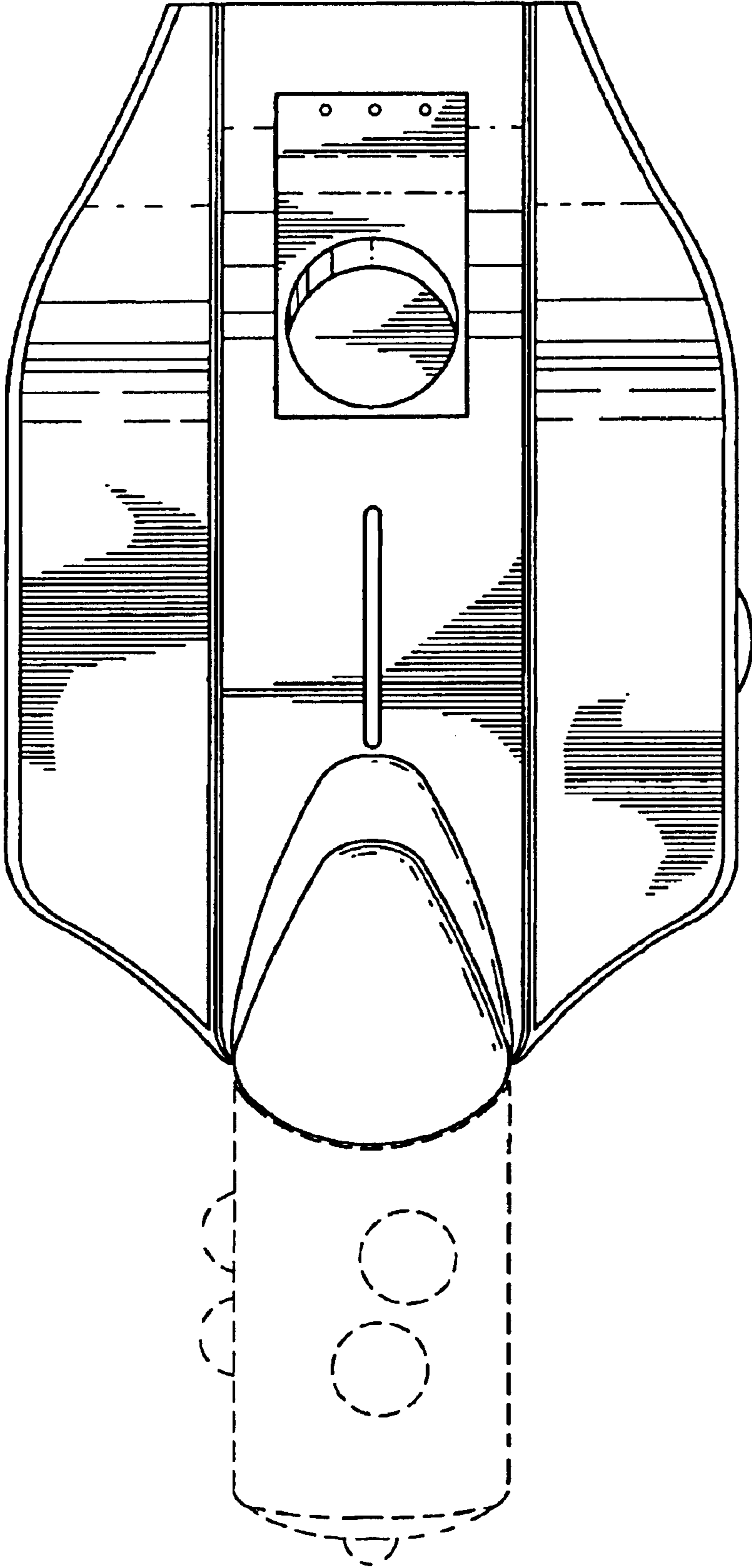


FIG. 8

FIG. 9

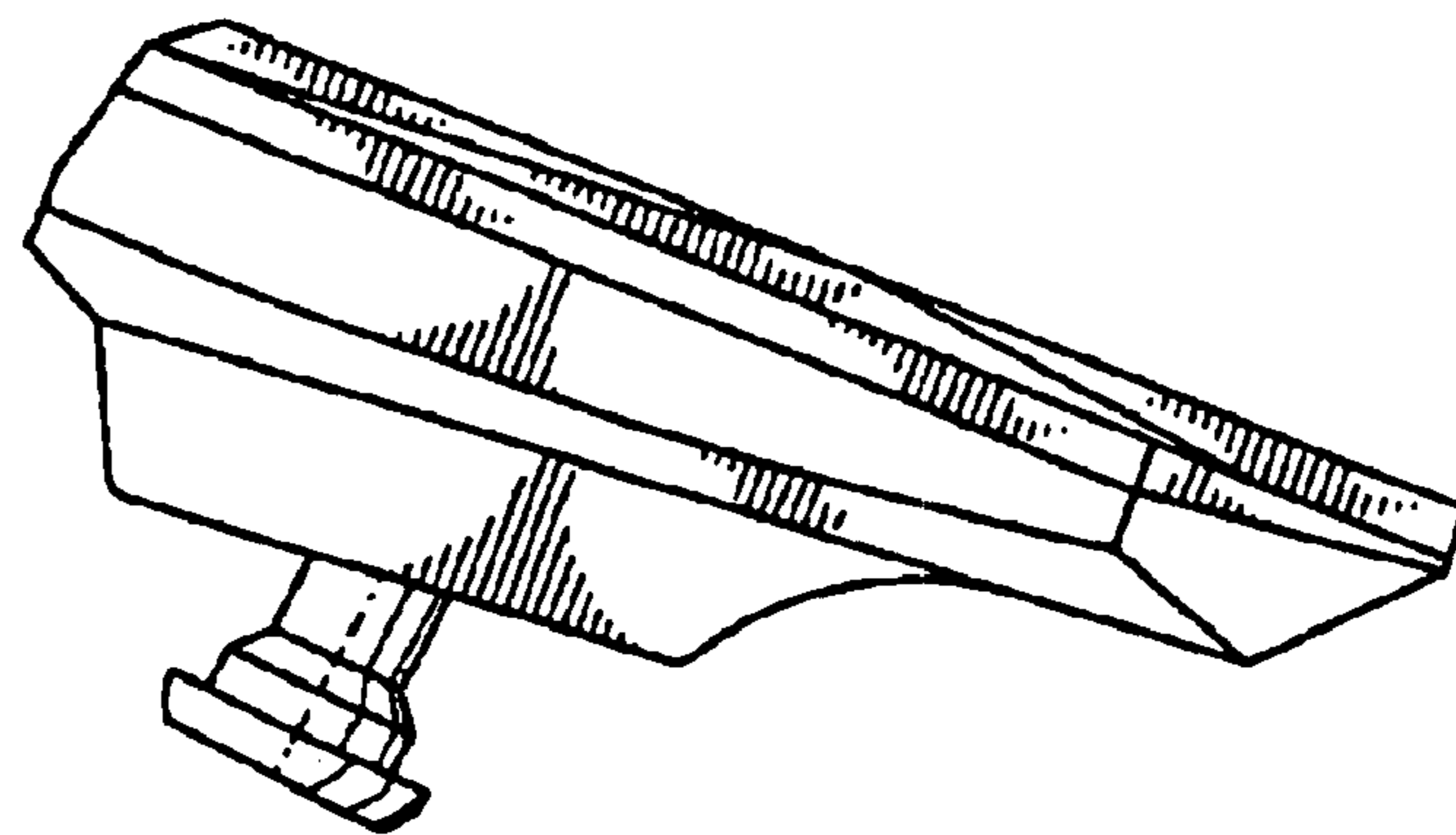
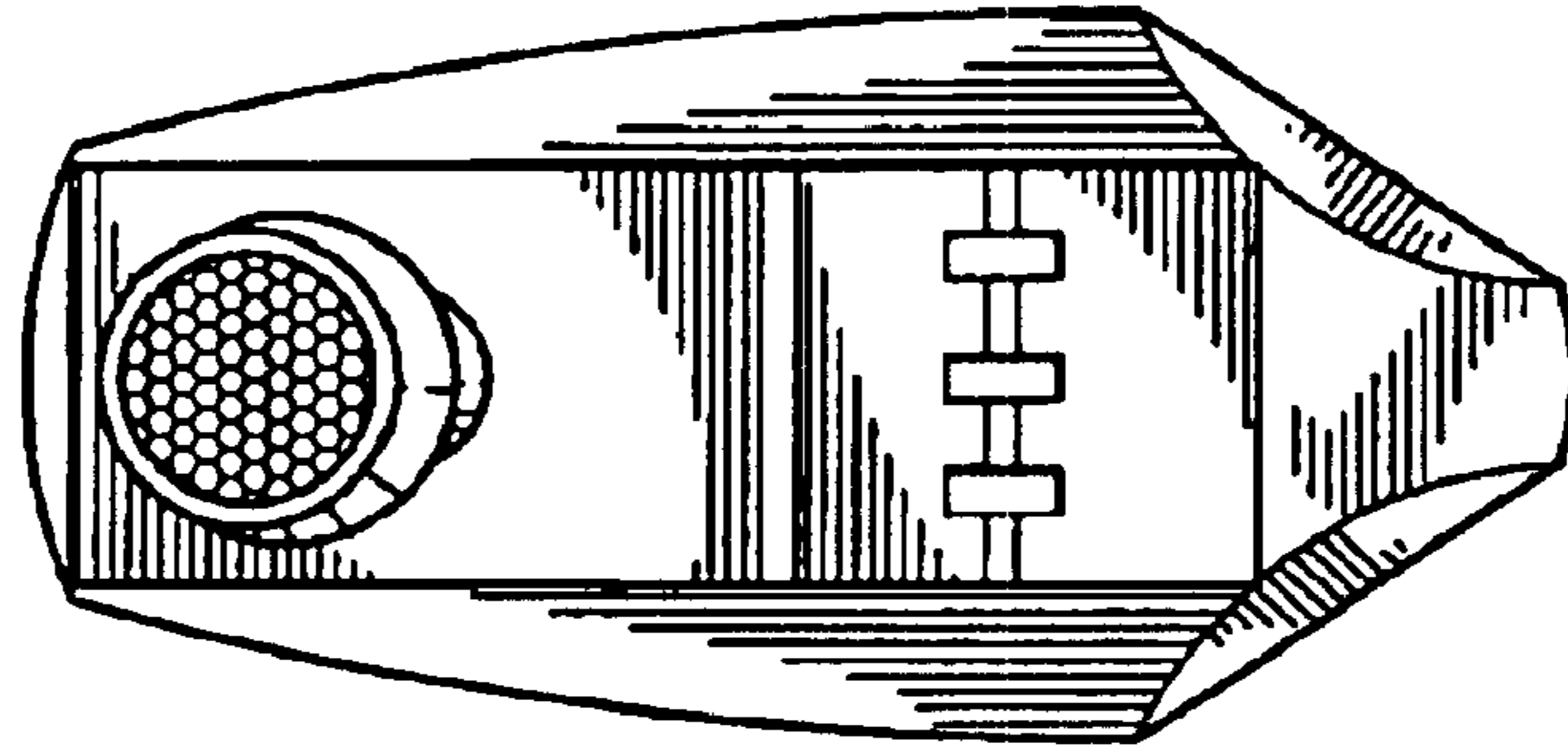


FIG. 10