



US00D499398S

(12) **United States Design Patent**
Nagai et al.

(10) **Patent No.:** **US D499,398 S**
(45) **Date of Patent:** **** Dec. 7, 2004**

(54) **OPTICAL COMMUNICATION APPARATUS**

(75) Inventors: **Takumi Nagai**, Tokyo (JP); **Hiroyuki Tomino**, Tokyo (JP)

(73) Assignee: **Allied Telesis Kabushiki Kaisha** (JP)

(**) Term: **14 Years**

(21) Appl. No.: **29/174,233**

(22) Filed: **Jan. 14, 2003**

(30) **Foreign Application Priority Data**

Aug. 28, 2002 (JP) 2002-023124

(51) **LOC (7) Cl.** **14-03**

(52) **U.S. Cl.** **D14/240**

(58) **Field of Search** D14/240, 247,
D14/137, 256; 359/108, 237, 245; D13/147,
123

(56) **References Cited**

U.S. PATENT DOCUMENTS

D275,947 S	*	10/1984	Moriai et al.	D13/147
D397,695 S	*	9/1998	Wittmeier et al.	D14/256
D452,847 S	*	1/2002	Shimojyo	D13/147
D453,144 S	*	1/2002	Sato et al.	D13/123
D462,949 S	*	9/2002	Ichiyoshi	D14/240
D464,936 S	*	10/2002	Hu et al.	D13/147
D468,695 S	*	1/2003	Yang et al.	D13/147
D478,868 S	*	8/2003	Zarembo	D13/123
D481,379 S	*	10/2003	Nagai et al.	D14/240

OTHER PUBLICATIONS

U.S. patent application Ser. No. 10/362,472.*

* cited by examiner

Primary Examiner—Charles A. Rademaker

(74) *Attorney, Agent, or Firm*—Leah Sherry; Anthony Diepenbrock, III; Dechert LLP

(57) **CLAIM**

The ornamental design for an optical communication apparatus, as shown and described.

DESCRIPTION

FIG. 1 is a front elevation of an optical communication apparatus showing our new design; FIG. 2 is a rear elevation thereof; FIG. 3 is a top plan view thereof; FIG. 4 is a bottom plan view thereof; FIG. 5 is a right side elevation thereof; FIG. 6 is a left side elevation thereof; FIG. 7 is a perspective view of the design shown in FIGS. 1 through 6; FIG. 8 is a front elevation thereof in an alternate position; FIG. 9 is a back elevation thereof; FIG. 10 is a top plan view thereof; FIG. 11 is a bottom plan view thereof; FIG. 12 is a right side elevation thereof; FIG. 13 is a left side elevation thereof; and, FIG. 14 is a perspective view thereof.

1 Claim, 8 Drawing Sheets

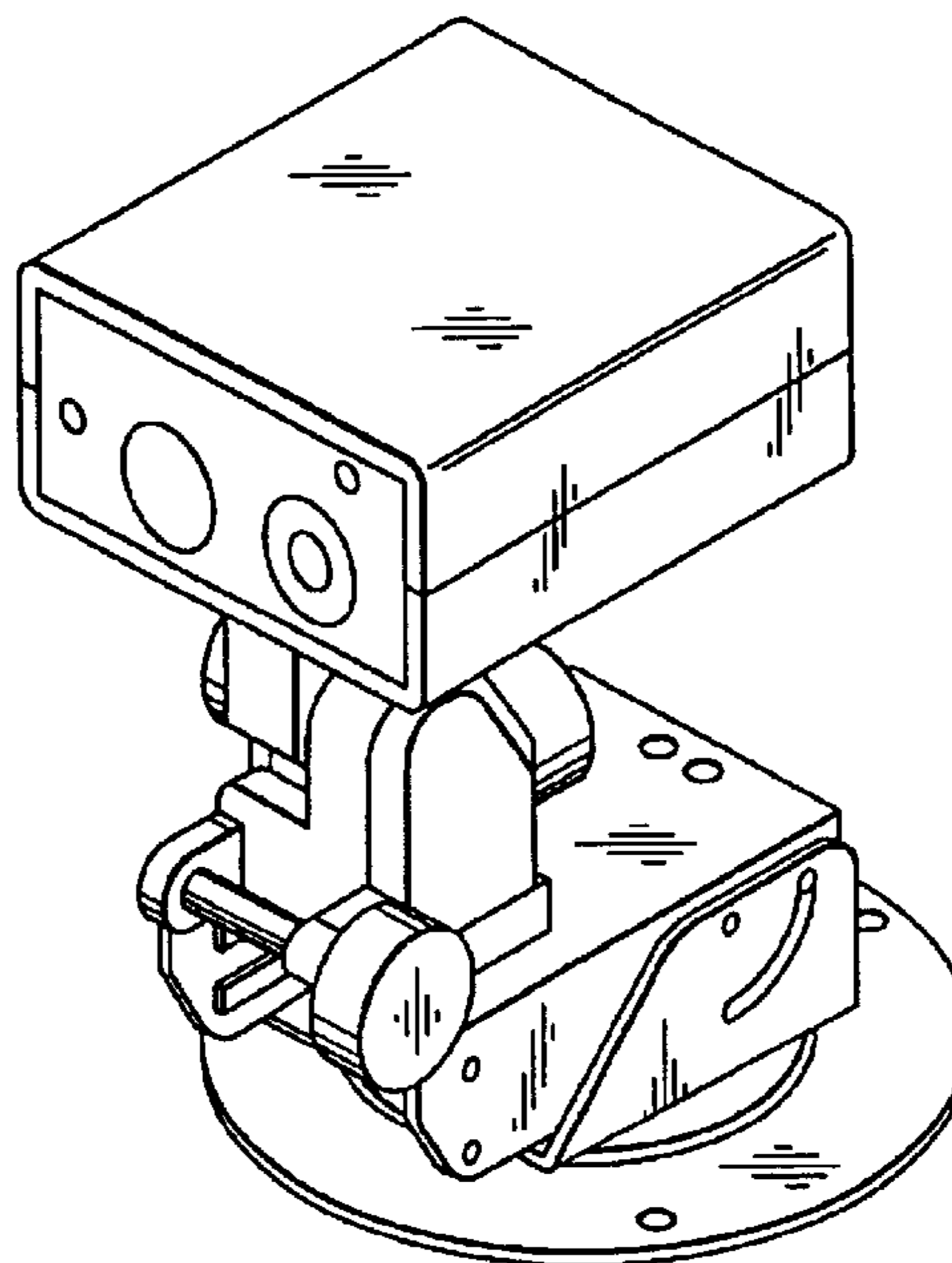
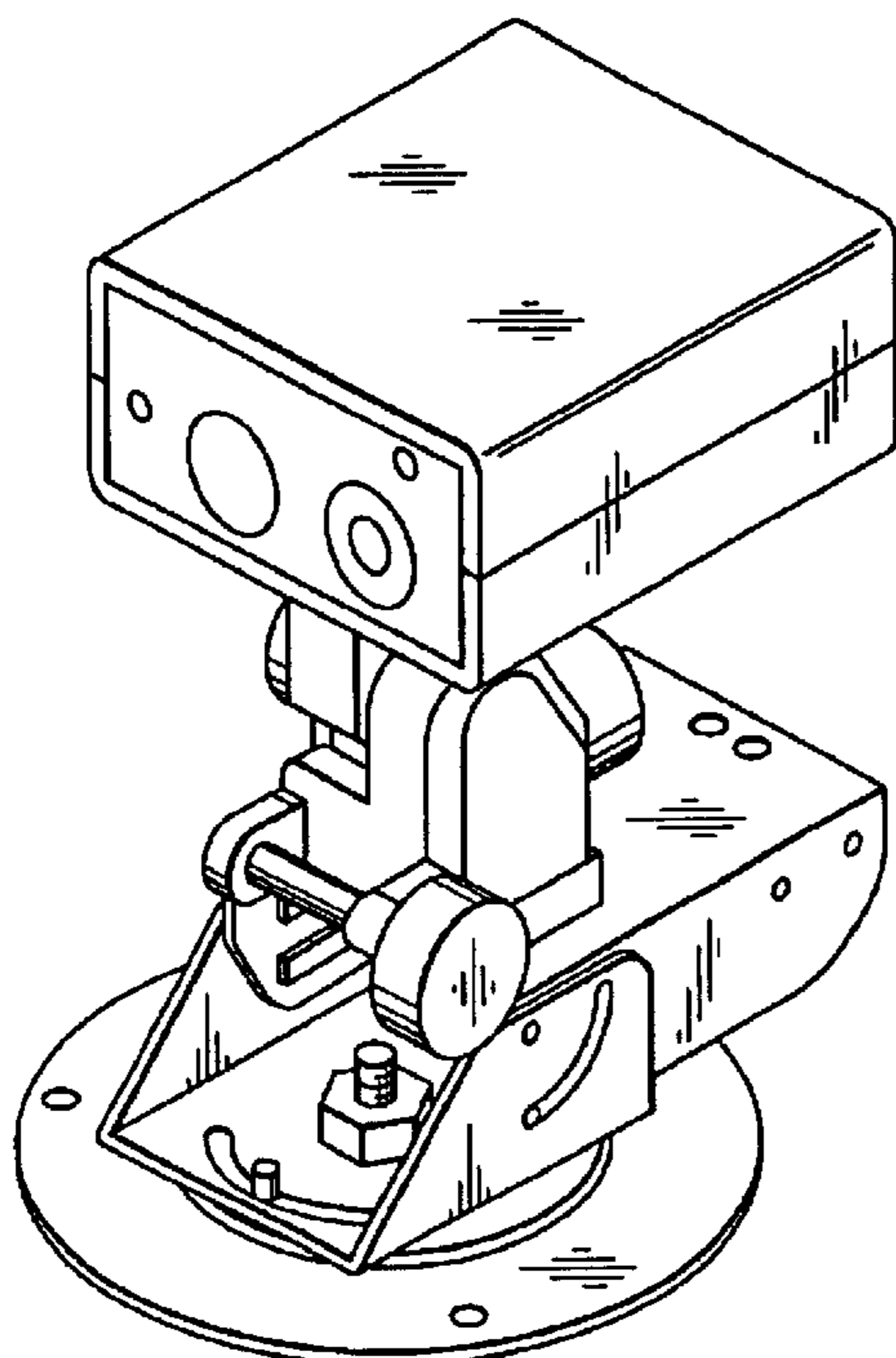


FIG. 1

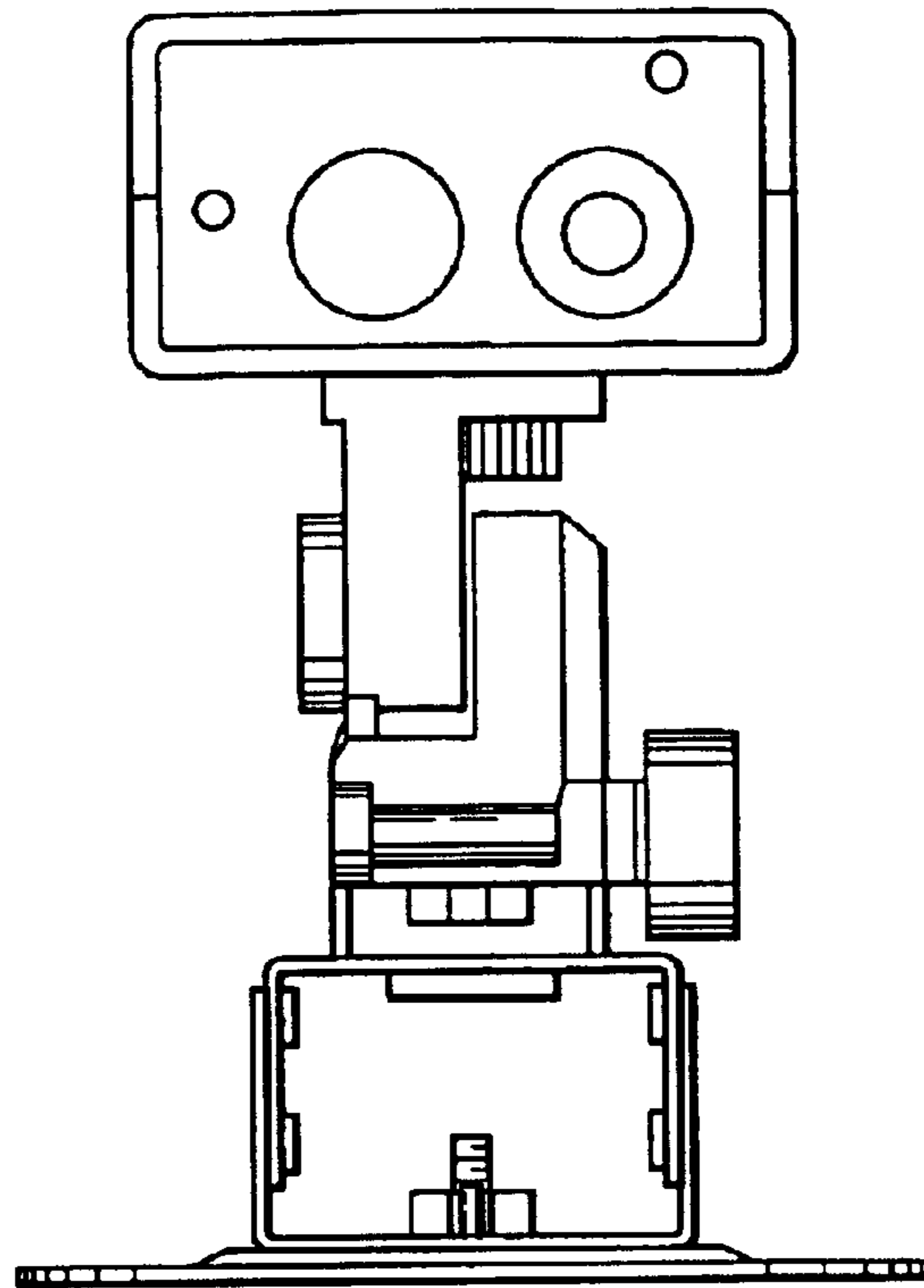
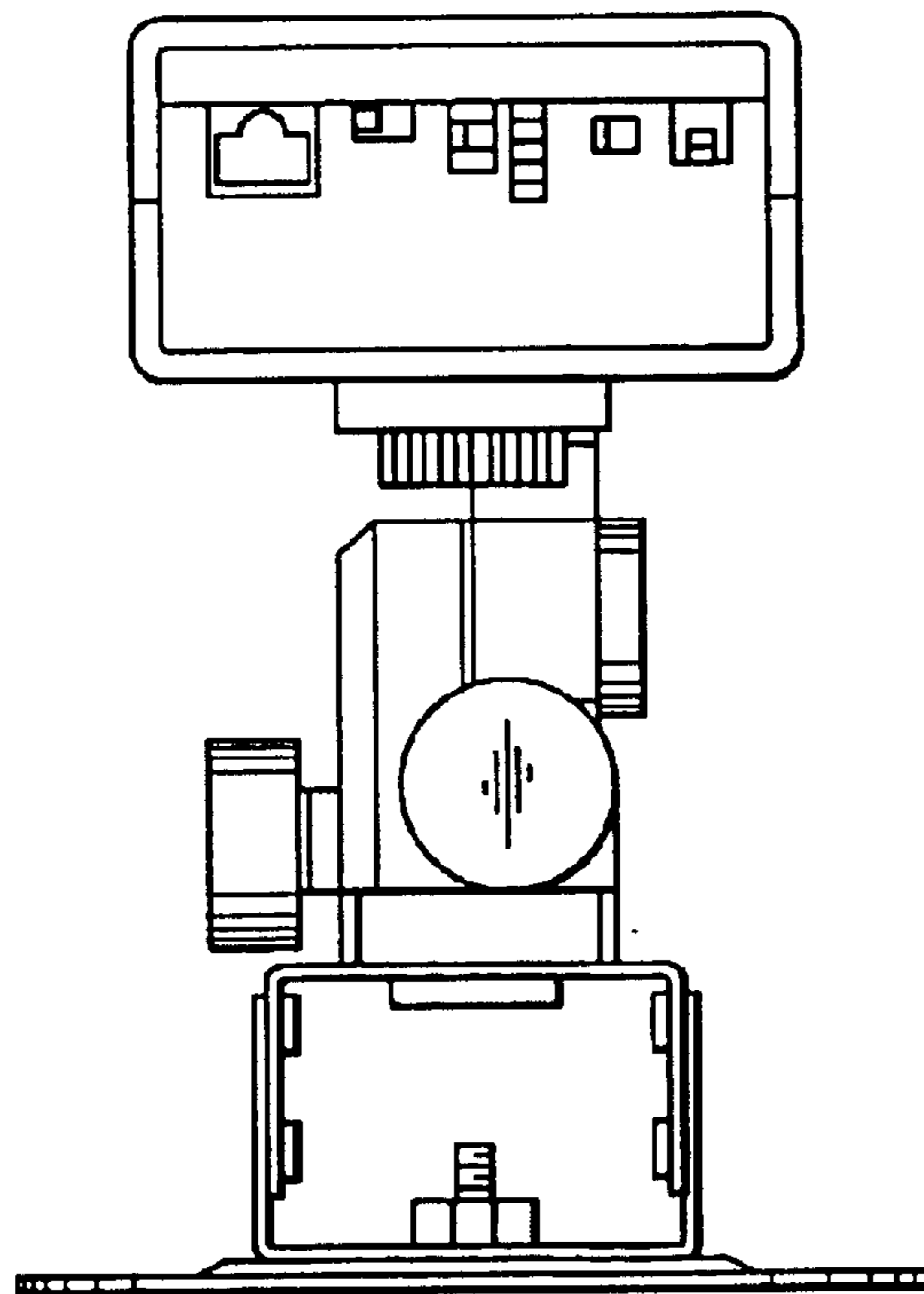


FIG. 2



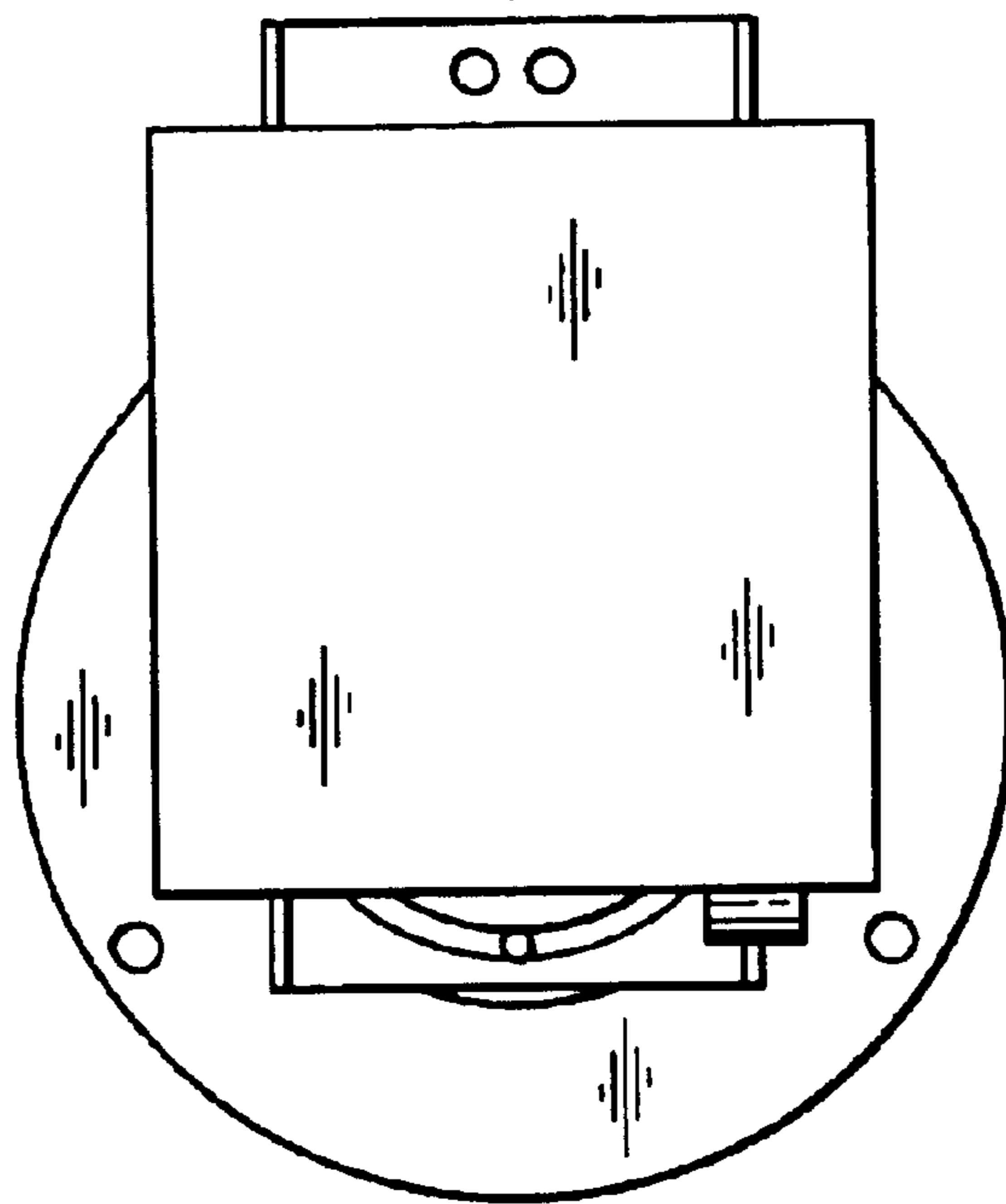


FIG. 3

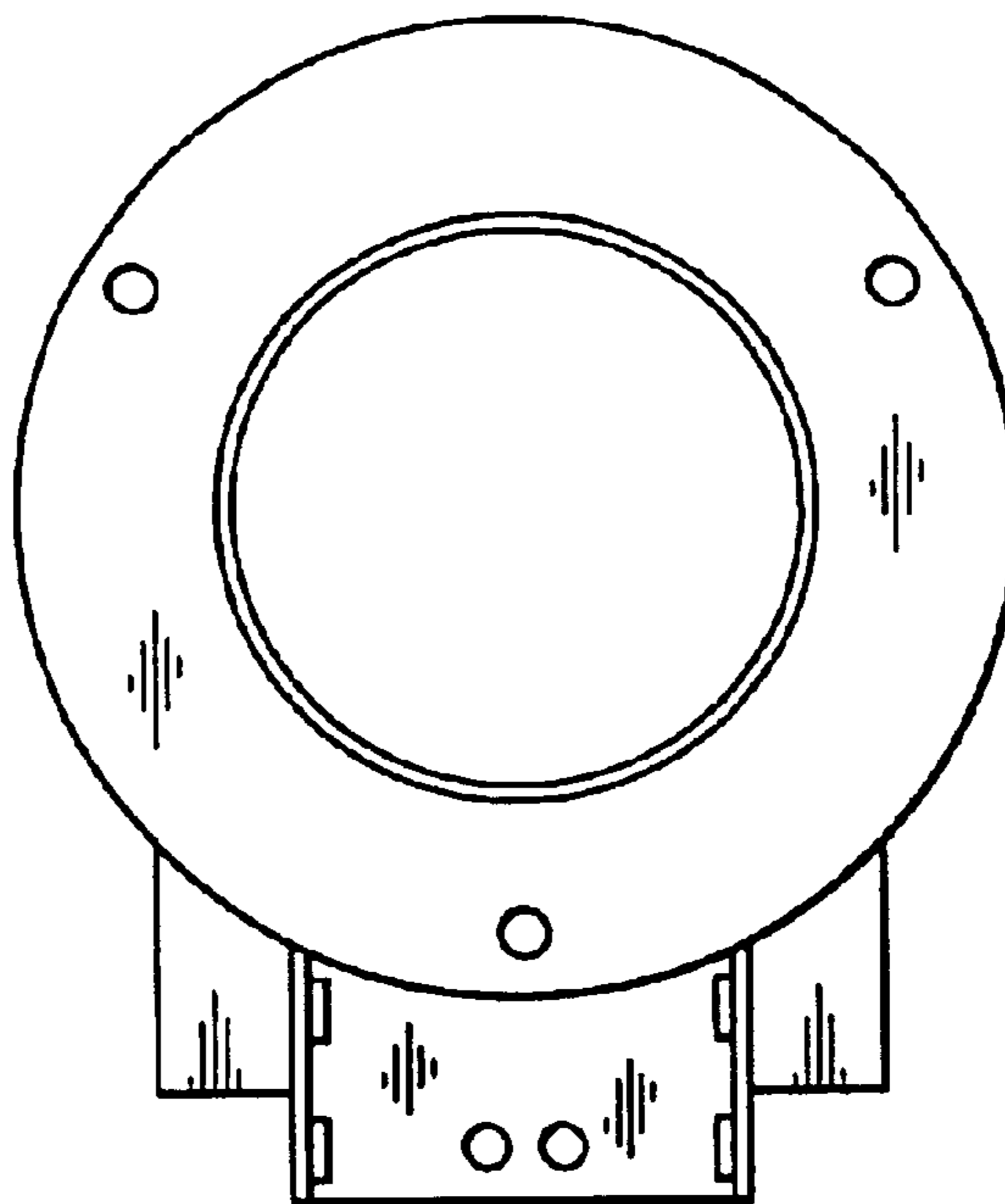


FIG. 4

FIG. 5

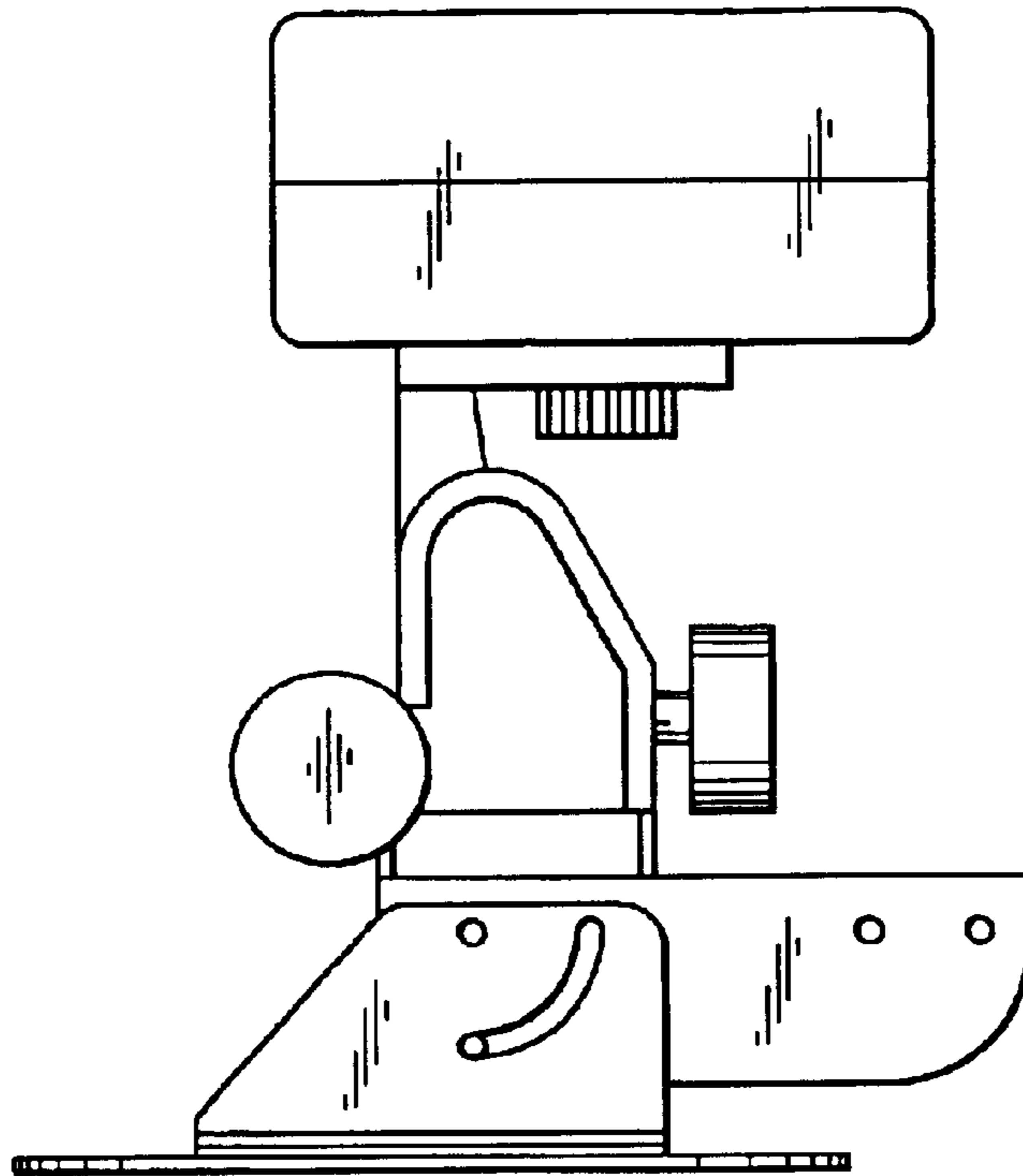
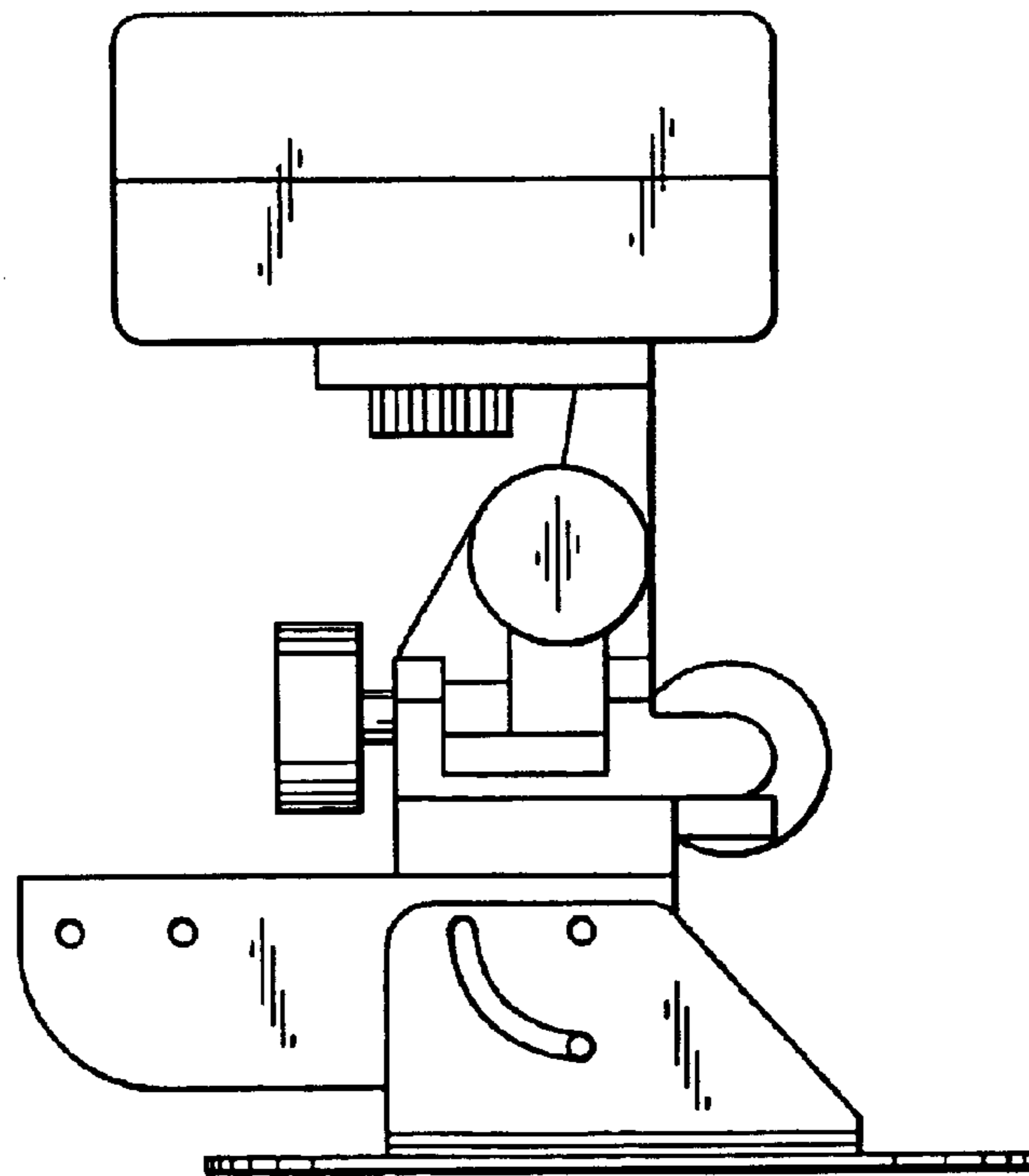


FIG. 6



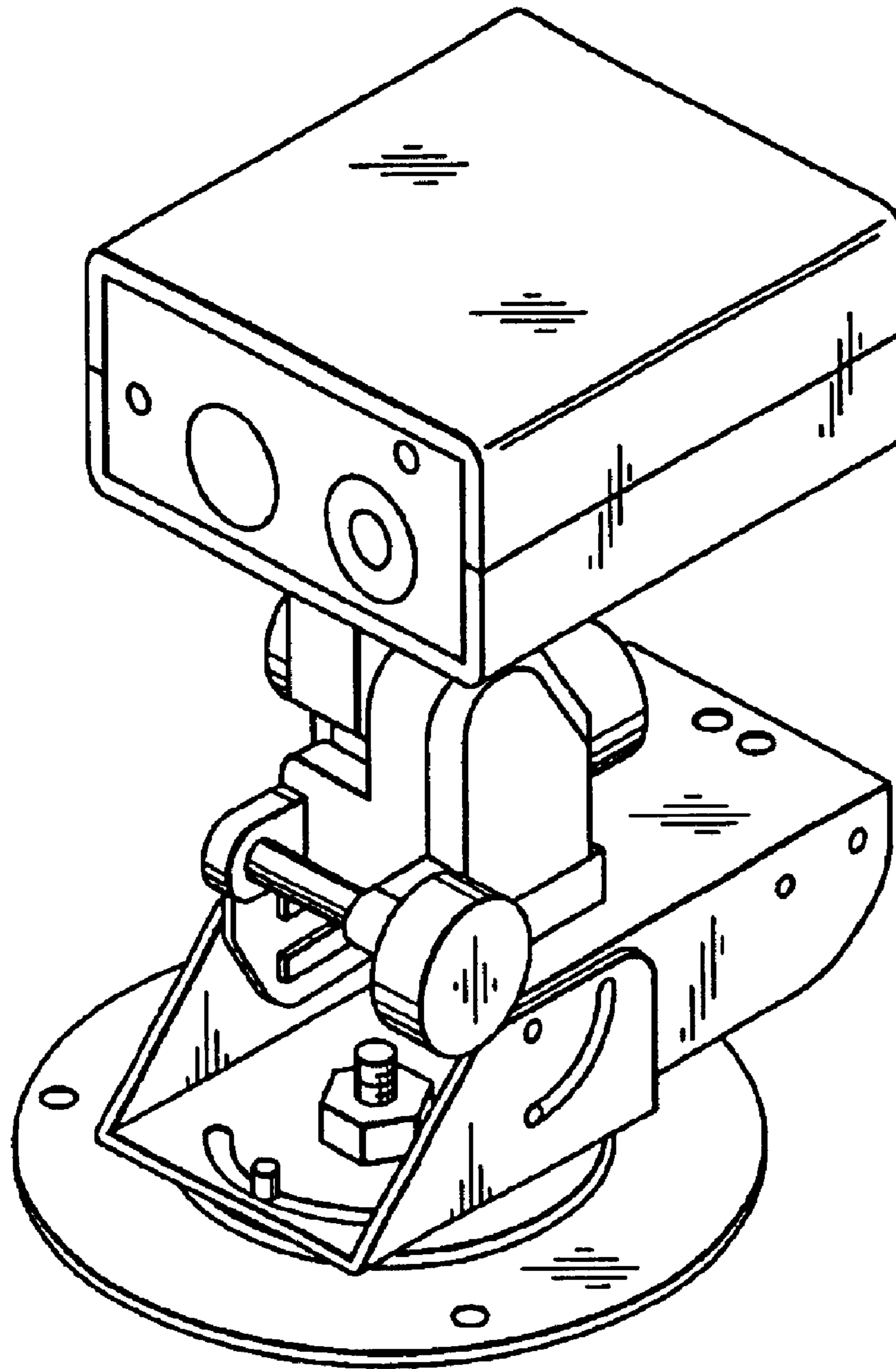


FIG. 7

FIG. 8

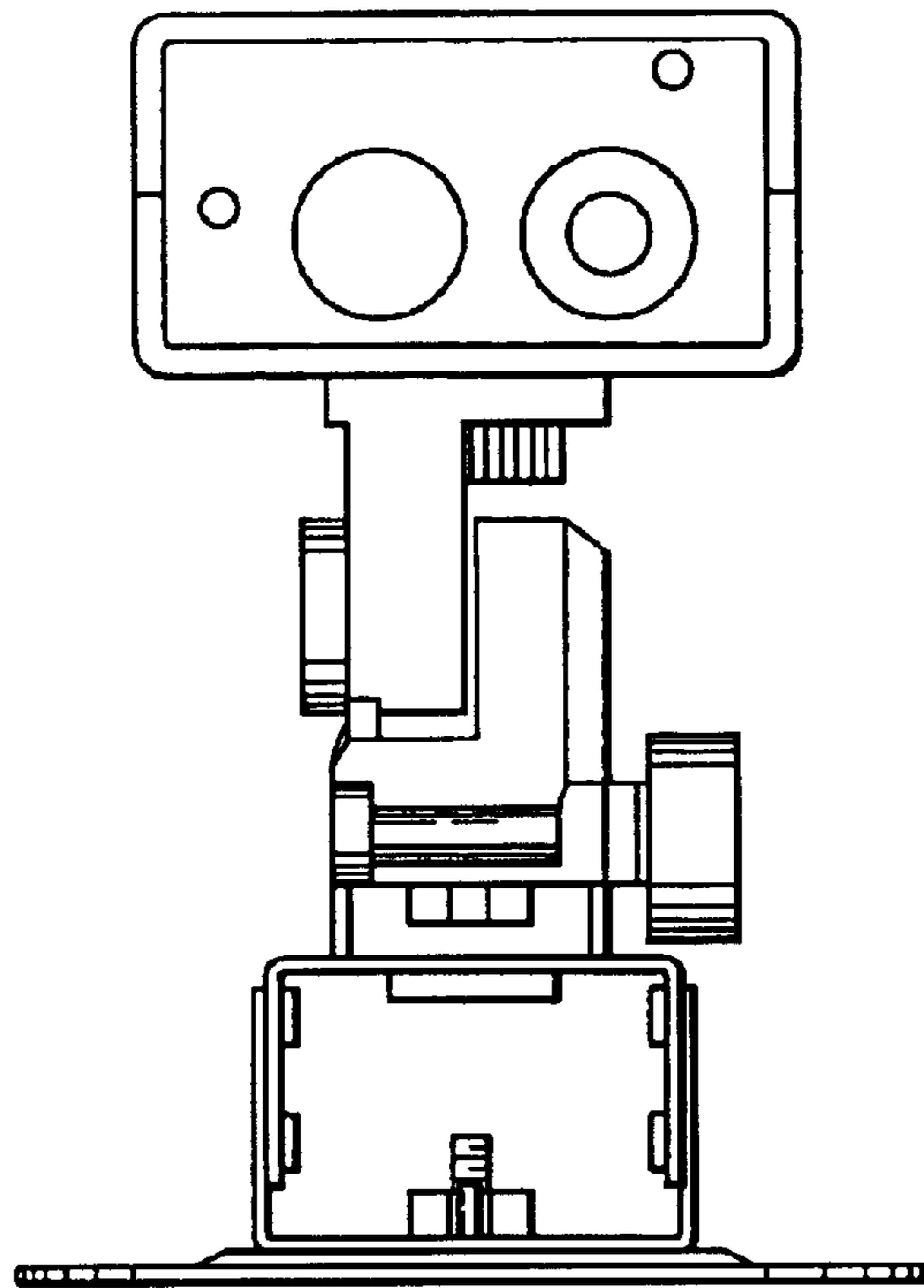


FIG. 9

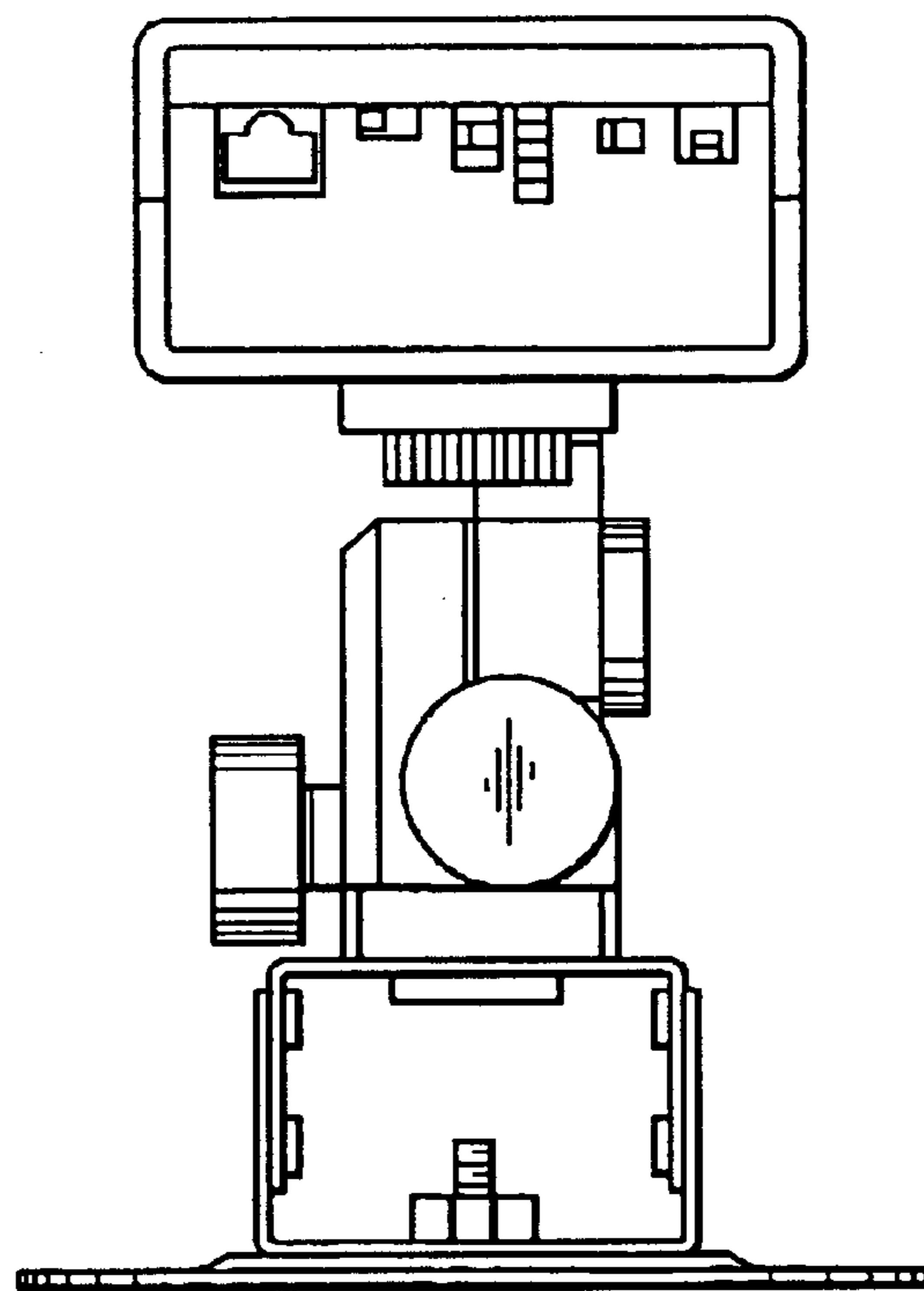


FIG. 10

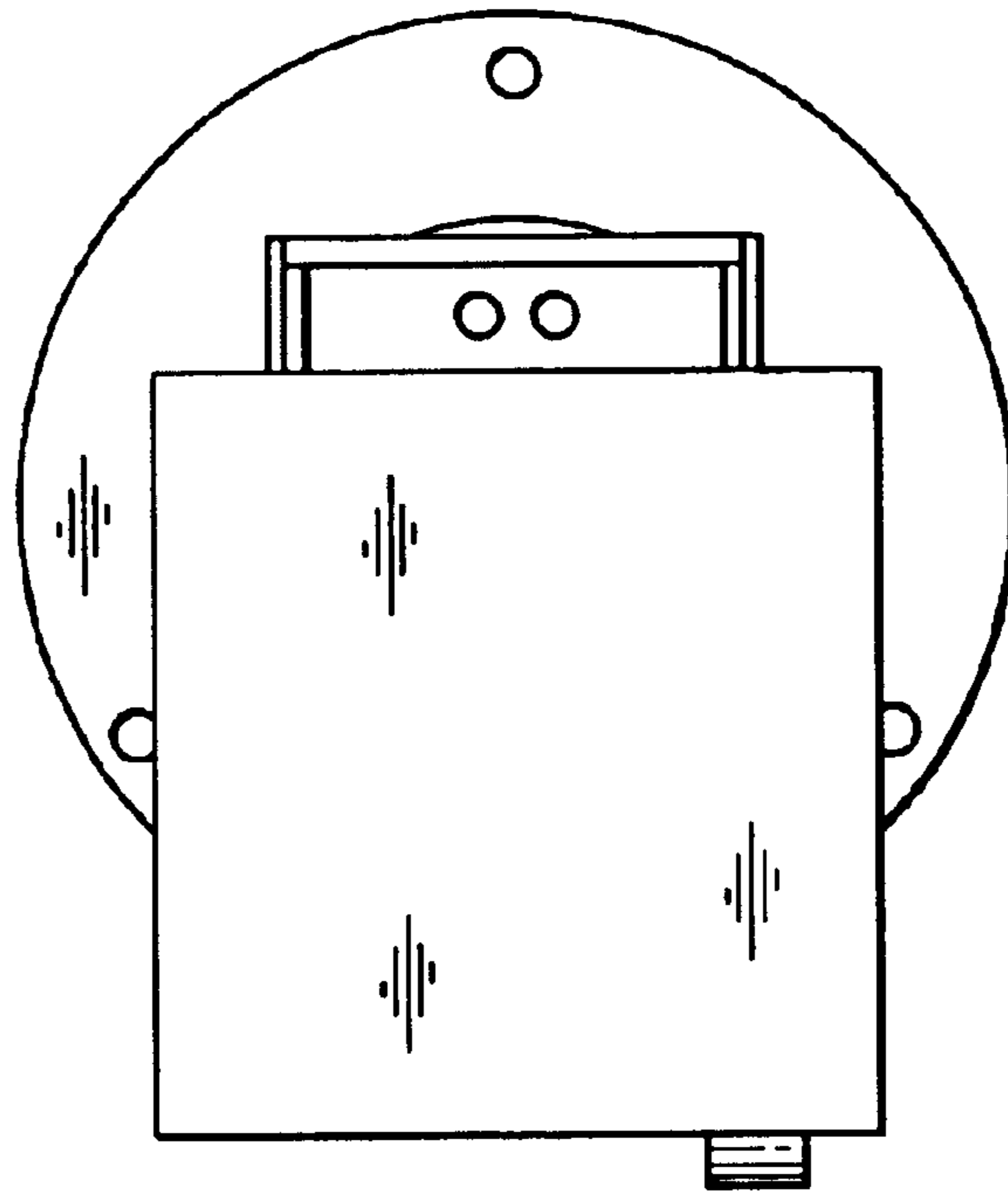
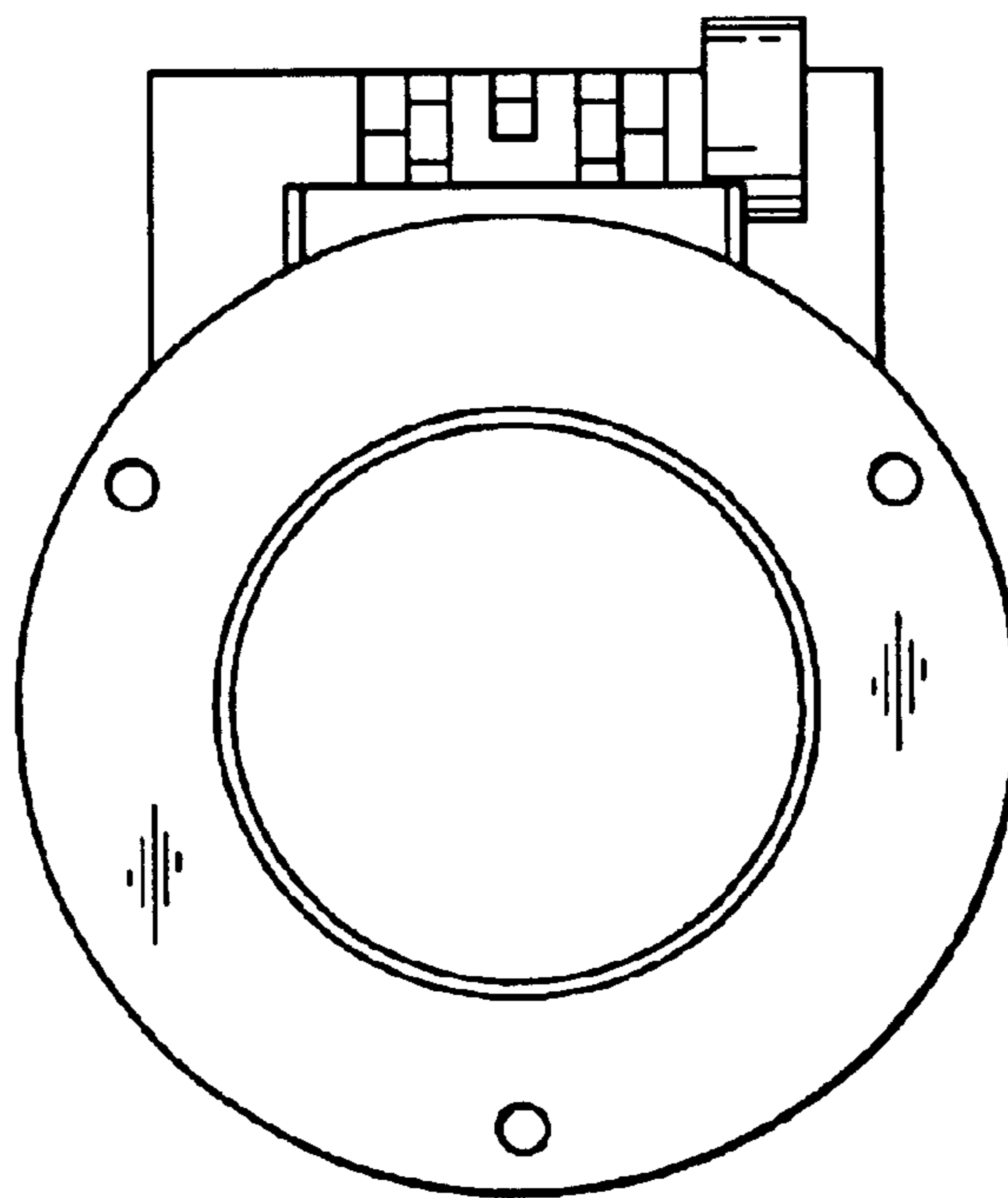


FIG. 11



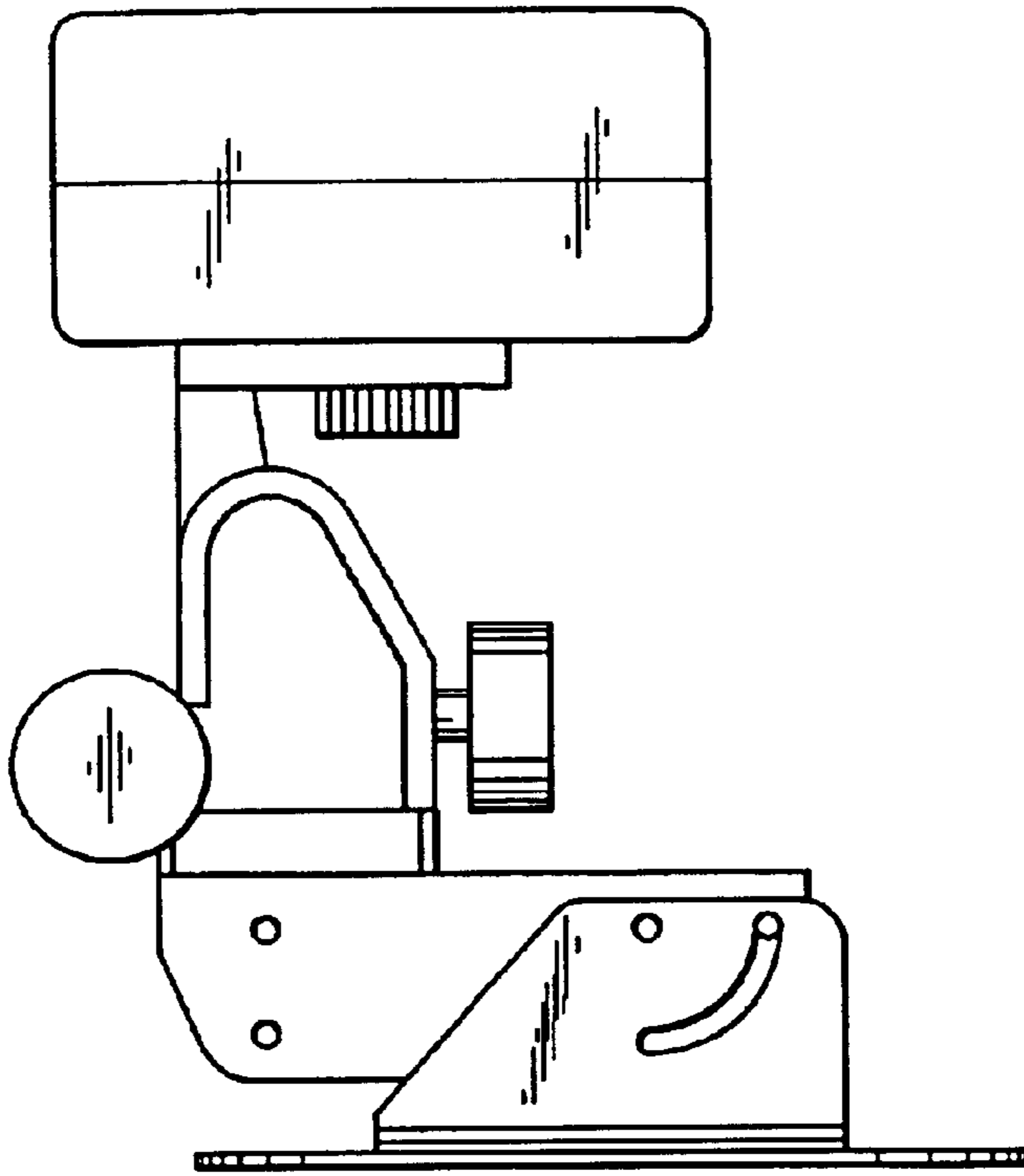


FIG. 12

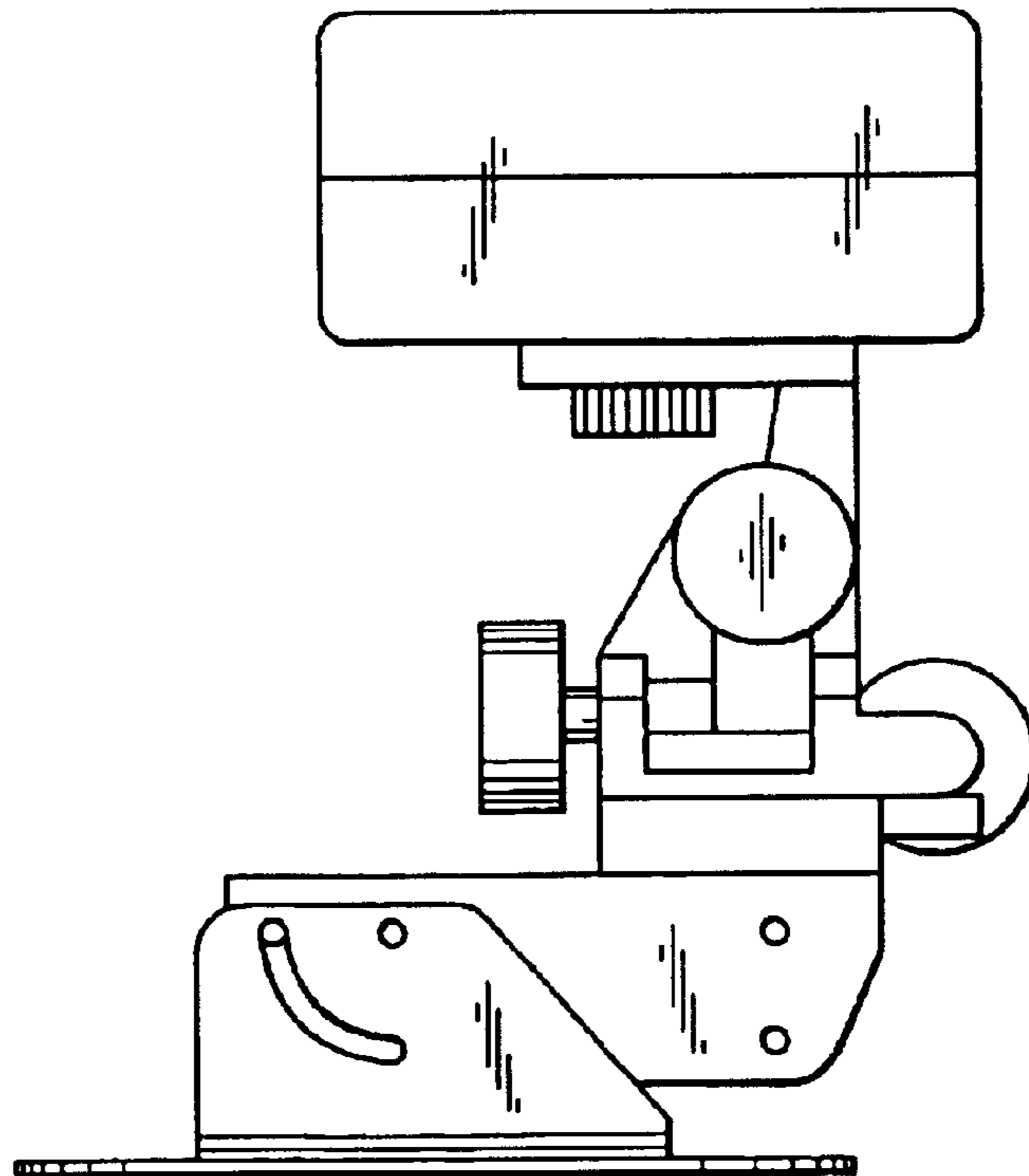


FIG. 13

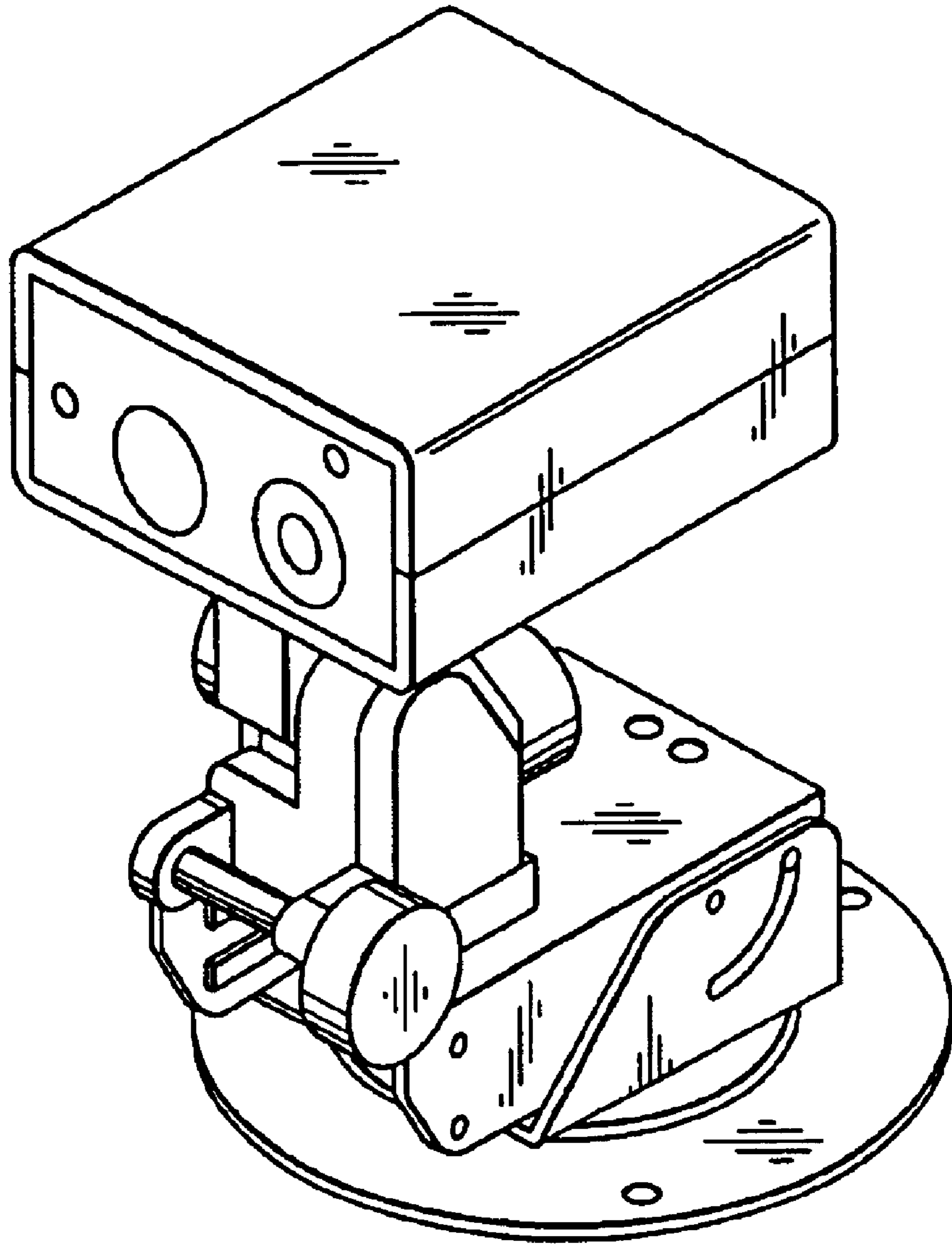


FIG. 14