

US00D499397S

(12) **United States Design Patent**
Hlas et al.

(10) **Patent No.:** **US D499,397 S**
(45) **Date of Patent:** **** Dec. 7, 2004**

(54) **HEADSET**

(75) Inventors: **Kevin Hlas**, Portland, OR (US);
Michael Roberts, Vancouver, WA (US);
Omer Kotzer, Portland, OR (US);
Bernhard Wildner, Portland, OR (US)

(73) Assignee: **Logitech Europe S.A.**,
Romanel-sur-Morges (CH)

(**) Term: **14 Years**

(21) Appl. No.: **29/197,047**

(22) Filed: **Jan. 7, 2004**

(51) **LOC (7) Cl.** **14-01**

(52) **U.S. Cl.** **D14/223**

(58) **Field of Search** D14/205, 206,
D14/223, 192; D24/174; 379/430, 446;
381/381, 378, 379, 377, 376, 374, 330;
181/129, 130

(56) **References Cited**

U.S. PATENT DOCUMENTS

4,972,492 A * 11/1990 Tanaka et al. 381/380
4,981,194 A * 1/1991 Kamon et al. 181/129
D318,473 S * 7/1991 Miyashita et al. D14/223
D331,061 S * 11/1992 Hyohgo D14/223
D337,118 S * 7/1993 Seikita D14/223

D337,589 S * 7/1993 Wada D14/223
D353,379 S * 12/1994 Nakamura et al. D14/223
D369,349 S * 4/1996 Hayashi D14/223
D463,789 S * 10/2002 DeKalb et al. D14/223
D480,711 S * 10/2003 Kuan D14/223
D485,549 S * 1/2004 Ma et al. D14/223

* cited by examiner

Primary Examiner—Paula A. Greene

(74) *Attorney, Agent, or Firm*—Ipsolon LLP

(57) **CLAIM**

The ornamental design for a headset, as shown and described.

DESCRIPTION

FIG. 1 is a bottom, perspective view of the headset;
FIG. 2 is a top, perspective view thereof;
FIG. 3 is a back, elevation view thereof;
FIG. 4 is a front, elevation view thereof;
FIG. 5 is a right side, elevation view thereof;
FIG. 6 is a top, elevation view thereof;
FIG. 7 is a bottom, elevation view thereof; and,
FIG. 8 is a left side, elevation view thereof.

The broken lines showing an exemplar ear clip, wind screen, and possible installation on an ear are for illustrative purpose only and form no part of the claimed design.

1 Claim, 1 Drawing Sheet

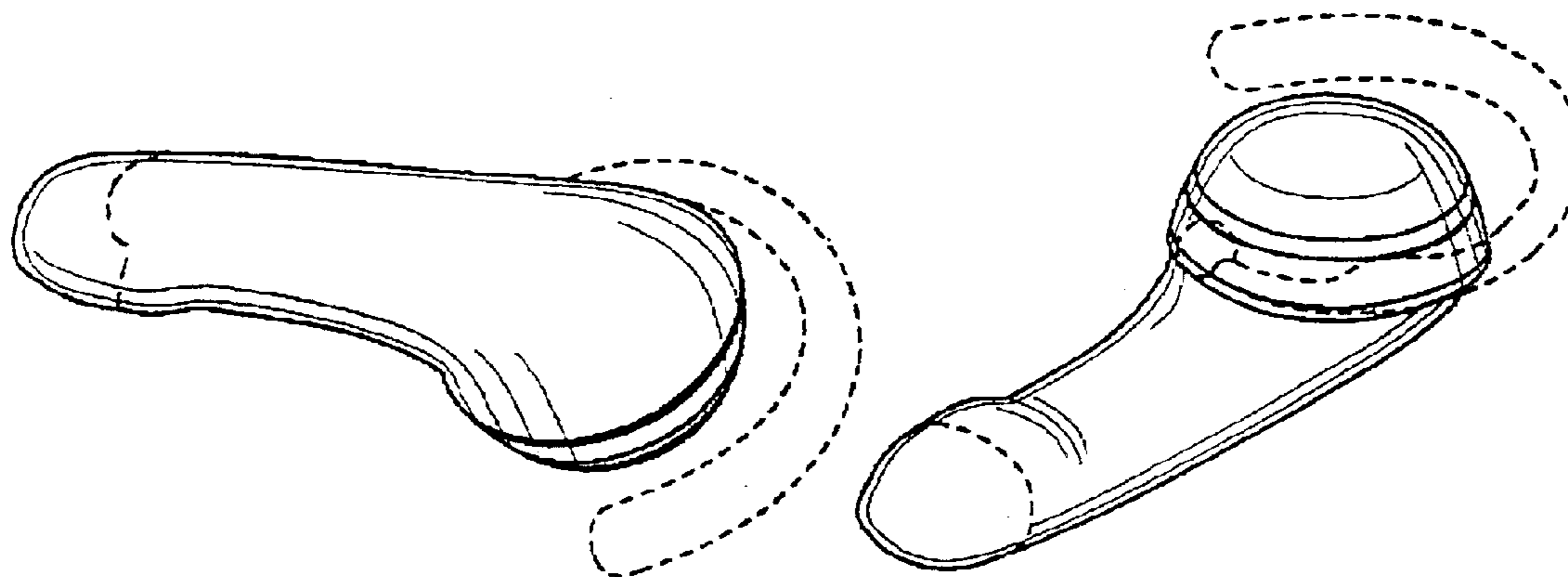


FIG. 1

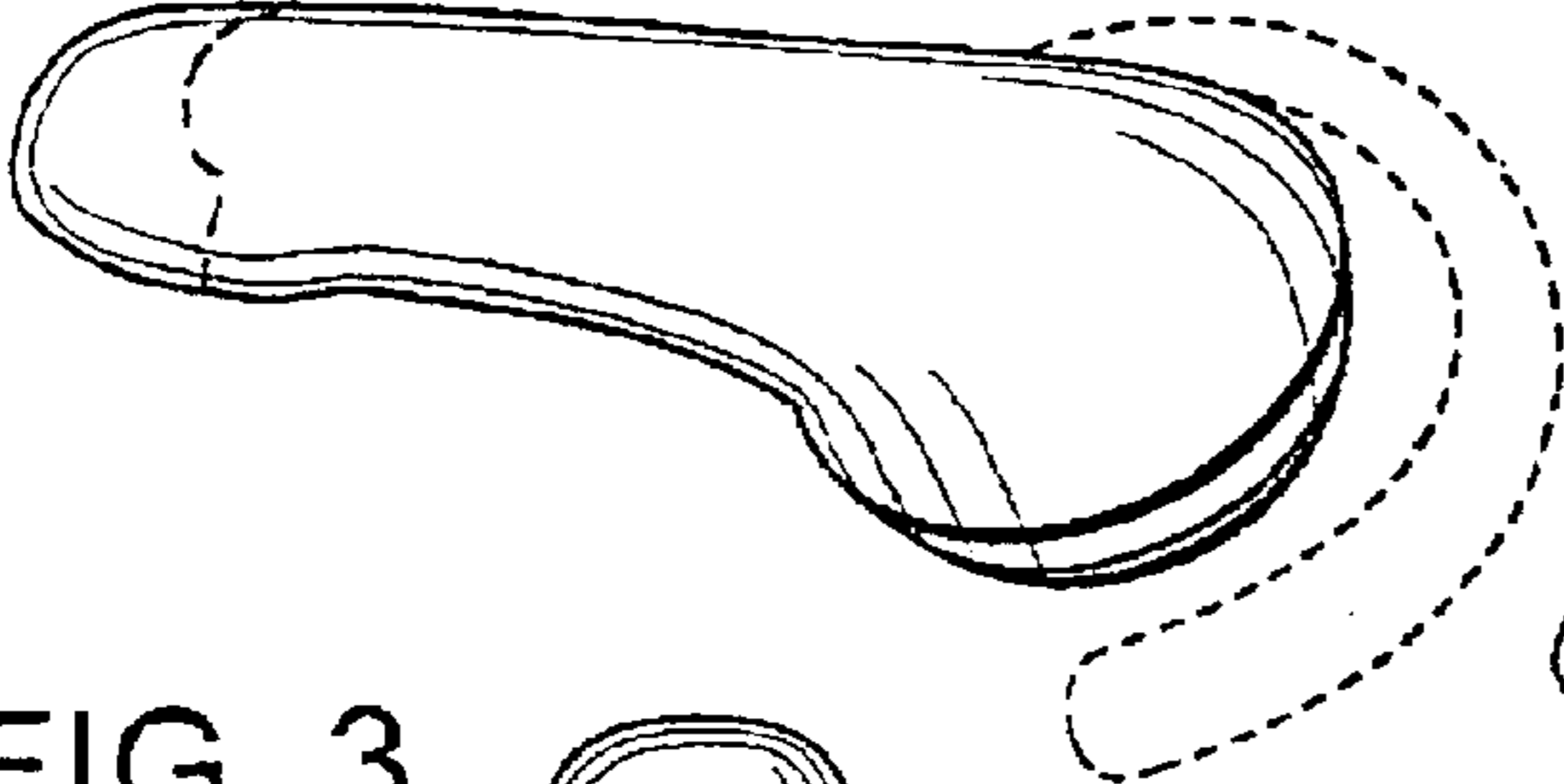


FIG. 2

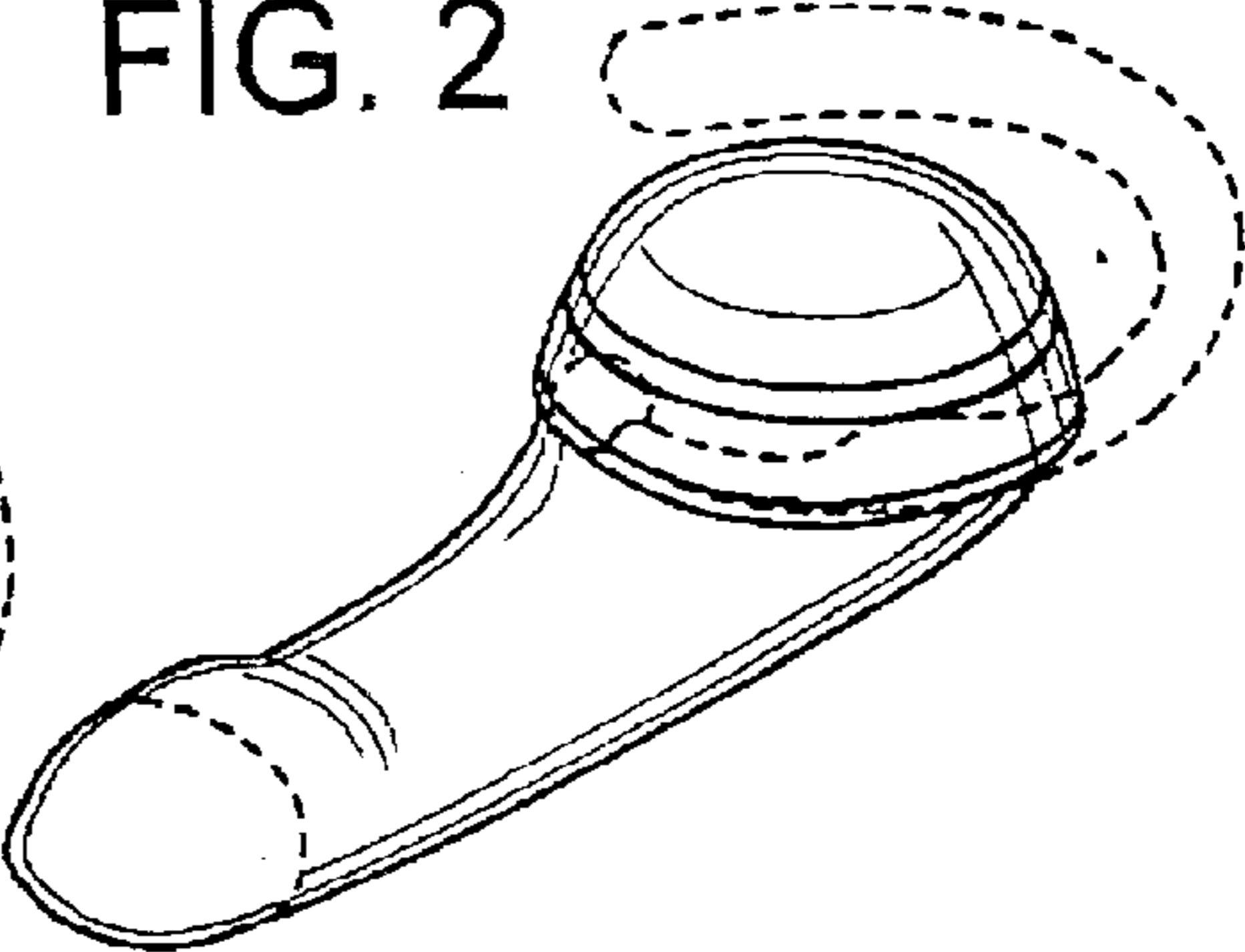


FIG. 3

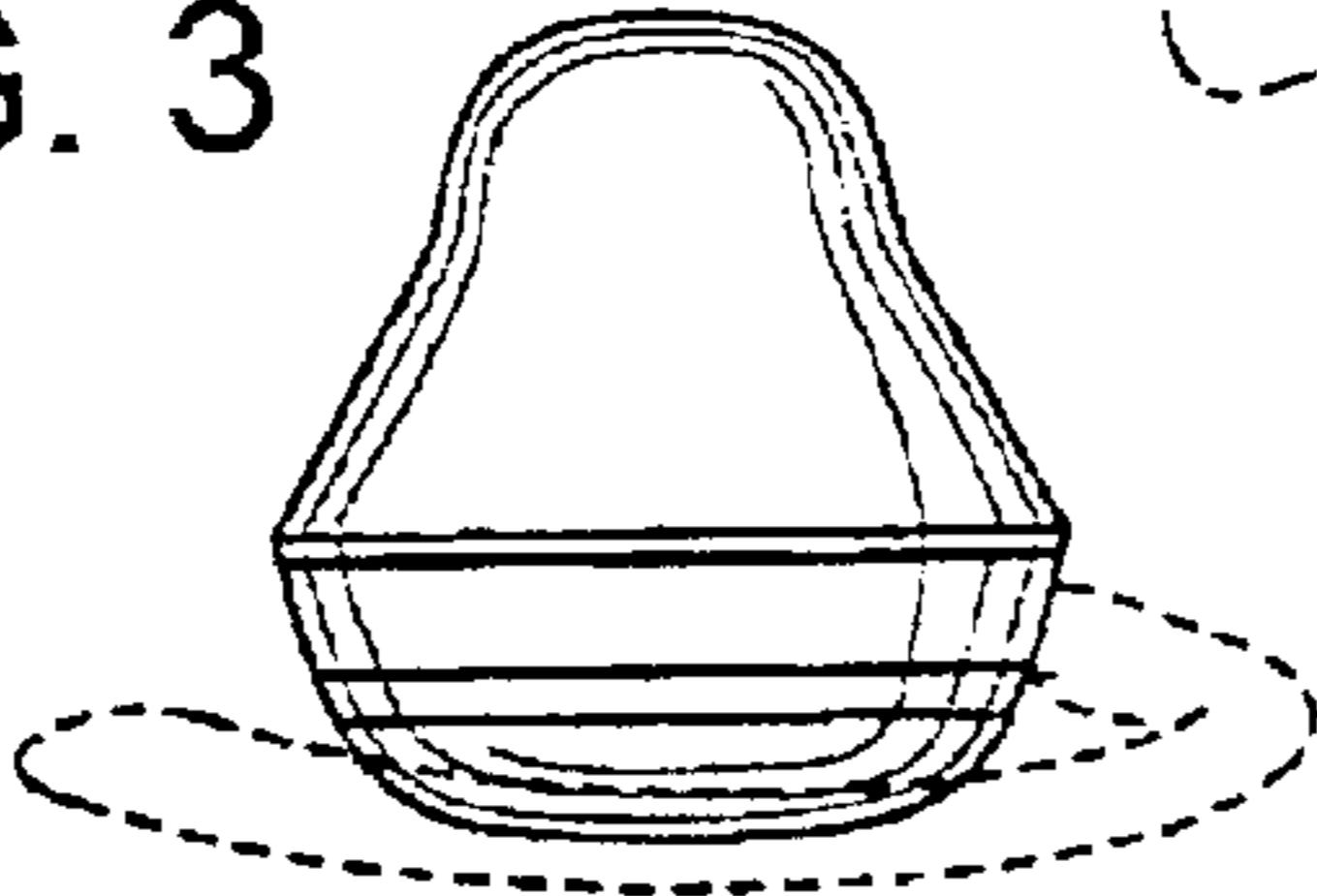


FIG. 5

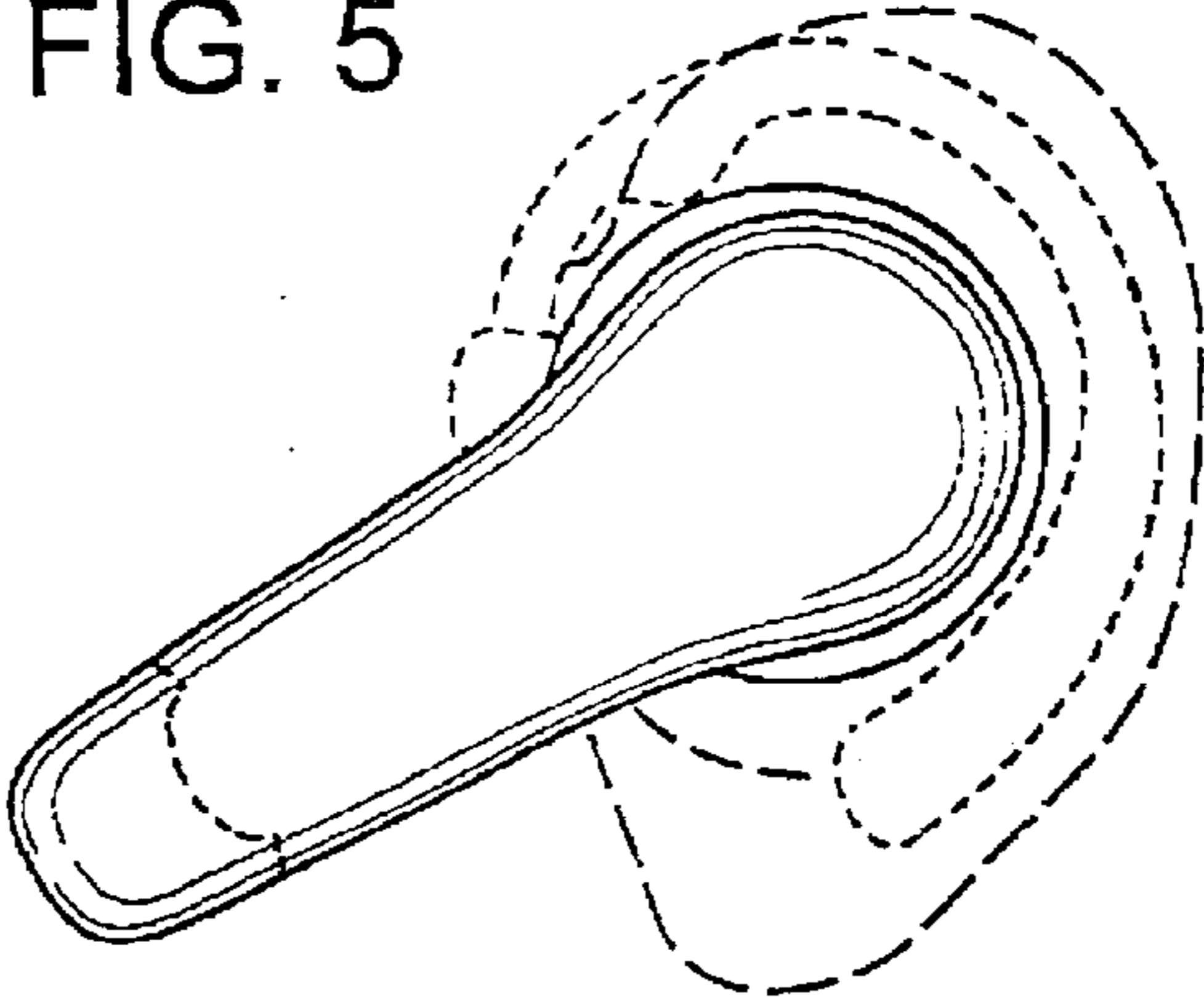


FIG. 4

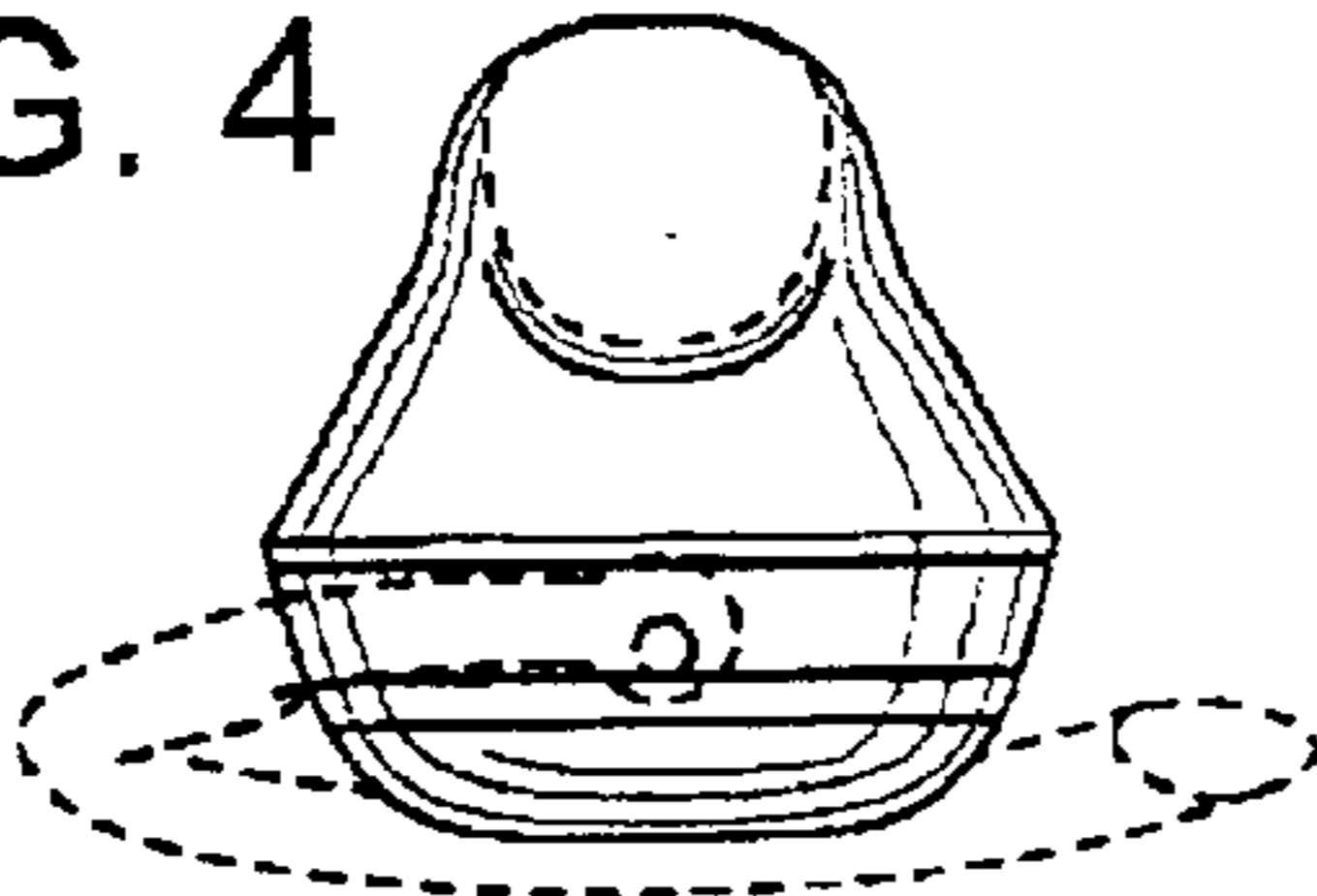


FIG. 6

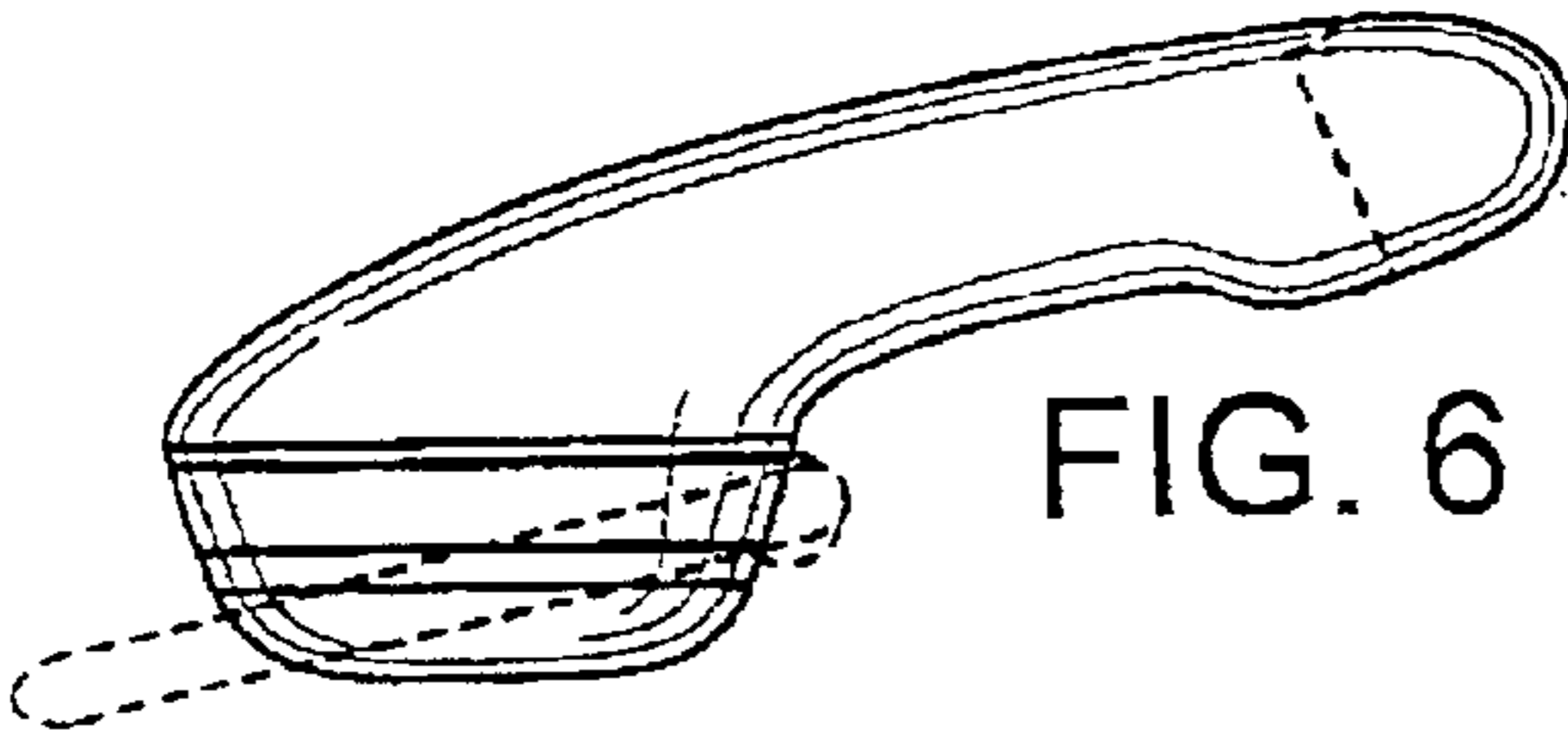


FIG. 8

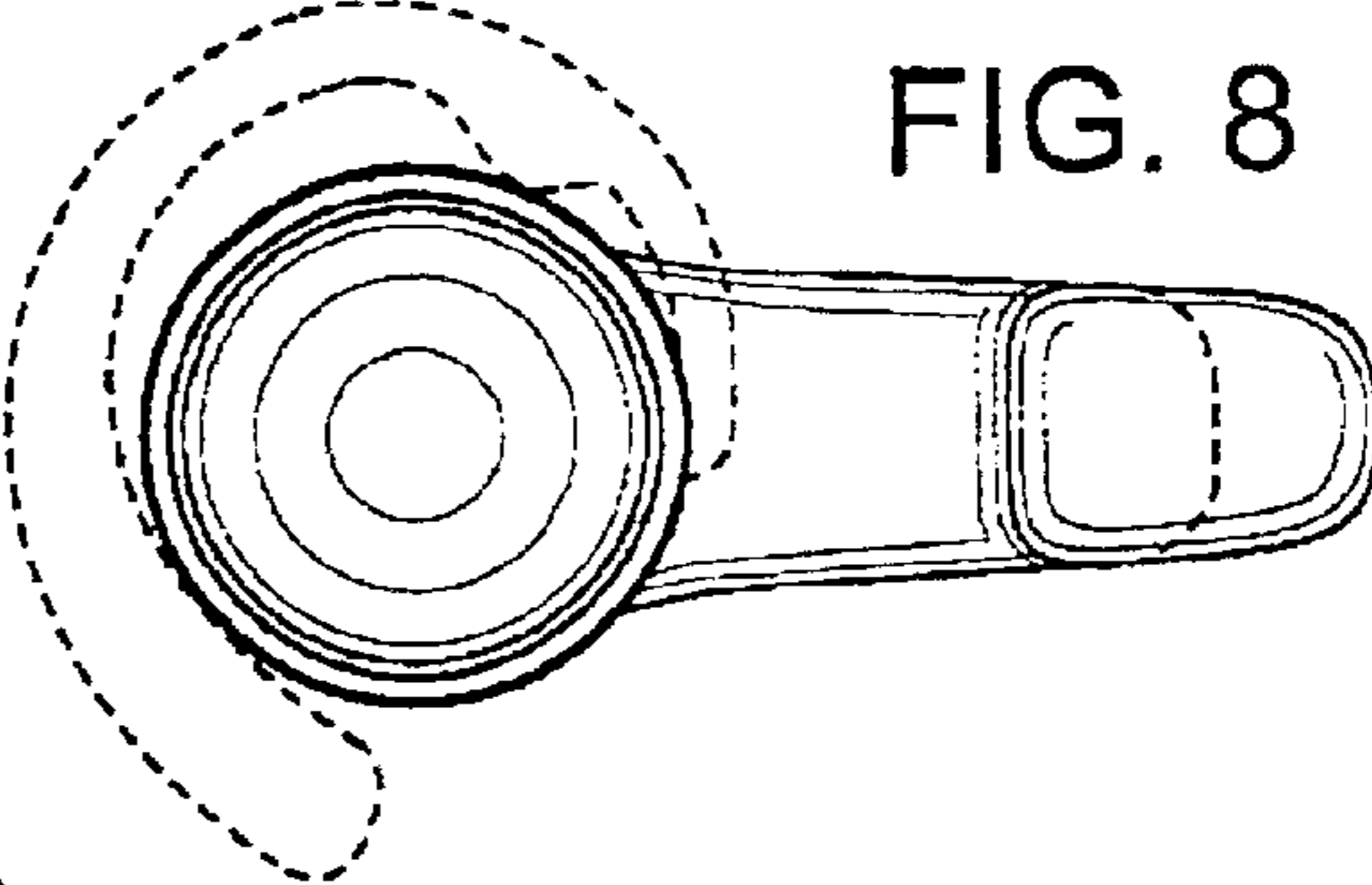


FIG. 7

