

US00D499392S

(12) **United States Design Patent** (10) **Patent No.:** **US D499,392 S**  
**Bathurst et al.** (45) **Date of Patent:** **\*\* Dec. 7, 2004**

(54) **CONFERENCING PHONE**

(75) Inventors: **Tracy Alan Bathurst**, South Jordan, UT (US); **James Sidney Wright**, Salt Lake City, UT (US); **Daniel James Teigen**, Shakopee, MN (US)

(73) Assignee: **ClearOne Communications, Inc.**, Salt Lake City, UT (US)

(\*\*) Term: **14 Years**

(21) Appl. No.: **29/203,045**

(22) Filed: **Apr. 7, 2004**

(51) **LOC (7) Cl.** ..... **14-03**

(52) **U.S. Cl.** ..... **D14/150**

(58) **Field of Search** ..... D14/225, 228, D14/148, 147, 149-151, 140-142, 144, 240, 241, 211-213, 251-253, 243, 451, 218, 159; 379/426, 449, 419, 420.01-420.04, 428.01-428.04, 440, 434-436, 406.1-406.16, 201.1-206.1, 388.01-390.01; 455/550.1-90.3

D382,265 S \* 8/1997 Bradley et al. .... D14/149  
D382,266 S \* 8/1997 Wakefield ..... D14/150  
D387,055 S 12/1997 Harris et al. .... D14/138  
D395,301 S 6/1998 Harris et al. .... D14/138  
D396,716 S \* 8/1998 Matsuda et al. .... D14/150  
D406,841 S \* 3/1999 Myung ..... D14/150  
5,881,156 A \* 3/1999 Treni et al. .... 381/91  
6,016,346 A \* 1/2000 Rittmueller et al. ... 379/420.02  
D434,747 S \* 12/2000 Bird et al. .... D14/150  
D444,777 S \* 7/2001 Bird et al. .... D14/150  
D449,285 S \* 10/2001 Wakefield et al. .... D14/150  
D451,078 S 11/2001 Kim ..... D14/138  
D457,150 S \* 5/2002 Chen ..... D14/150  
D472,539 S \* 4/2003 Fletcher ..... D14/150  
D474,169 S \* 5/2003 Fletcher ..... D14/159  
6,577,622 B1 6/2003 Schuster et al. .... 370/352  
D478,560 S \* 8/2003 Misrahi et al. .... D14/150  
D478,884 S 8/2003 Slipy et al. .... D14/149  
D481,370 S \* 10/2003 Popowski et al. .... D14/150  
D481,371 S \* 10/2003 Chen ..... D14/150  
D488,794 S \* 4/2004 Chen ..... D14/150  
D491,909 S \* 6/2004 Sun ..... D14/150

\* cited by examiner

*Primary Examiner*—Jeffrey Asch

(74) *Attorney, Agent, or Firm*—Lloyd W. Sadler

(56) **References Cited**

**U.S. PATENT DOCUMENTS**

D199,677 S \* 12/1964 Mattingly ..... D14/159  
D202,707 S \* 11/1965 Kloss ..... D14/159  
D259,786 S \* 7/1981 Leeson et al. .... D14/242  
D285,071 S \* 8/1986 Pushelberg ..... D14/150  
D285,555 S 9/1986 Fukutani ..... D14/53  
D286,042 S 10/1986 Fukutani ..... D14/60  
D289,283 S 4/1987 Kajita ..... D14/53  
D292,283 S \* 10/1987 Matsuda et al. .... D14/240  
4,831,656 A \* 5/1989 Southern et al. .... 381/361  
D321,187 S \* 10/1991 Yang ..... D14/150  
D327,479 S \* 6/1992 Britz ..... D14/225  
D329,646 S \* 9/1992 Stone ..... D14/209  
D342,732 S \* 12/1993 Hinman et al. .... D14/150  
D345,158 S 3/1994 Namba et al. .... D14/138  
D345,355 S 3/1994 Konno et al. .... D14/138  
D346,381 S 4/1994 Namba ..... D14/138

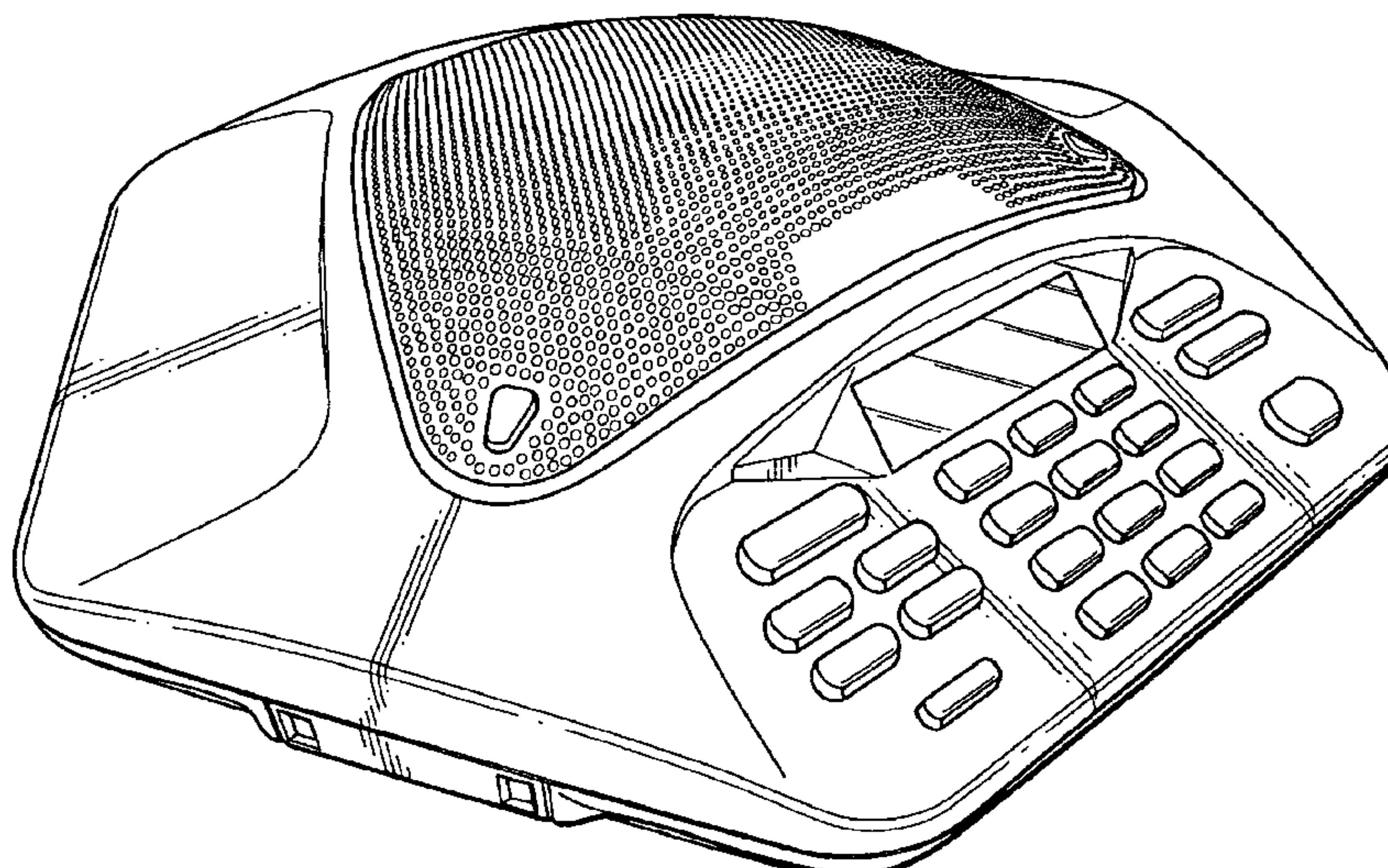
(57) **CLAIM**

The ornamental design for a conferencing phone, as shown and described.

**DESCRIPTION**

FIG. 1 is a perspective view of the front of the conferencing phone.  
FIG. 2 is a top plan view thereof.  
FIG. 3 is a bottom plan view thereof.  
FIG. 4 is a front plan view thereof.  
FIG. 5 is a right side view thereof.  
FIG. 6 is a rear view thereof; and,  
FIG. 7 is a left side view thereof.

**1 Claim, 5 Drawing Sheets**



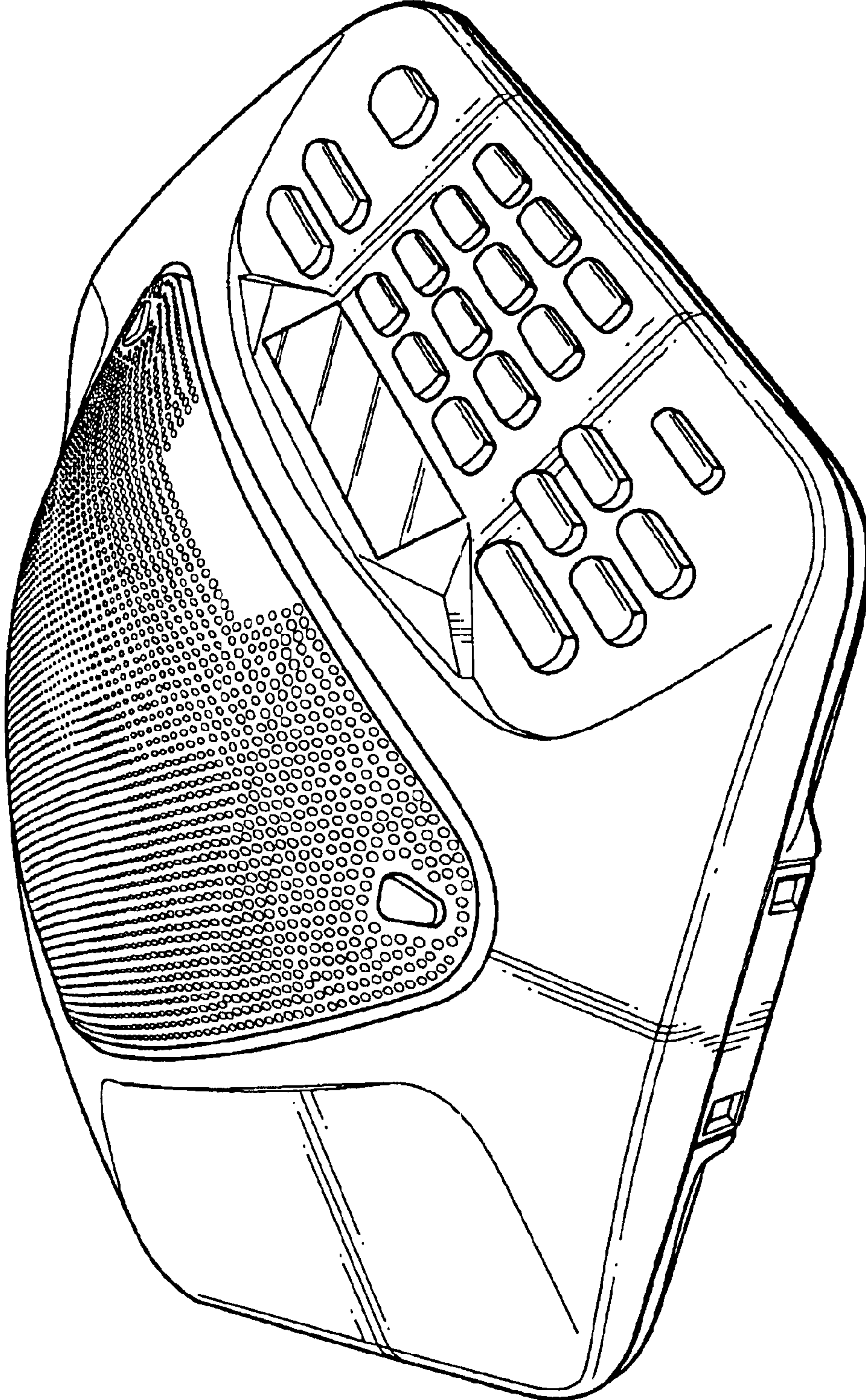


Fig. 1



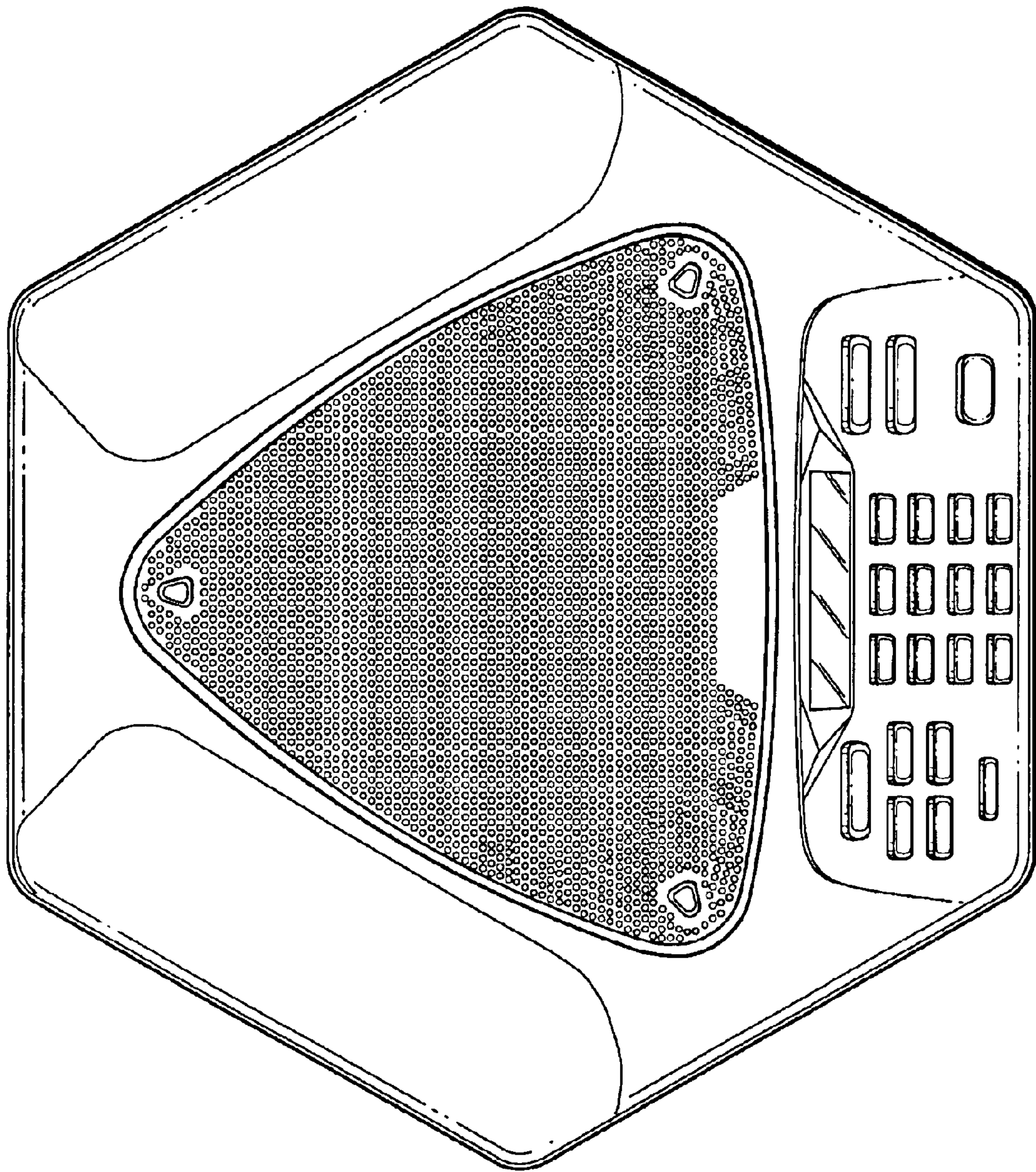


Fig. 2

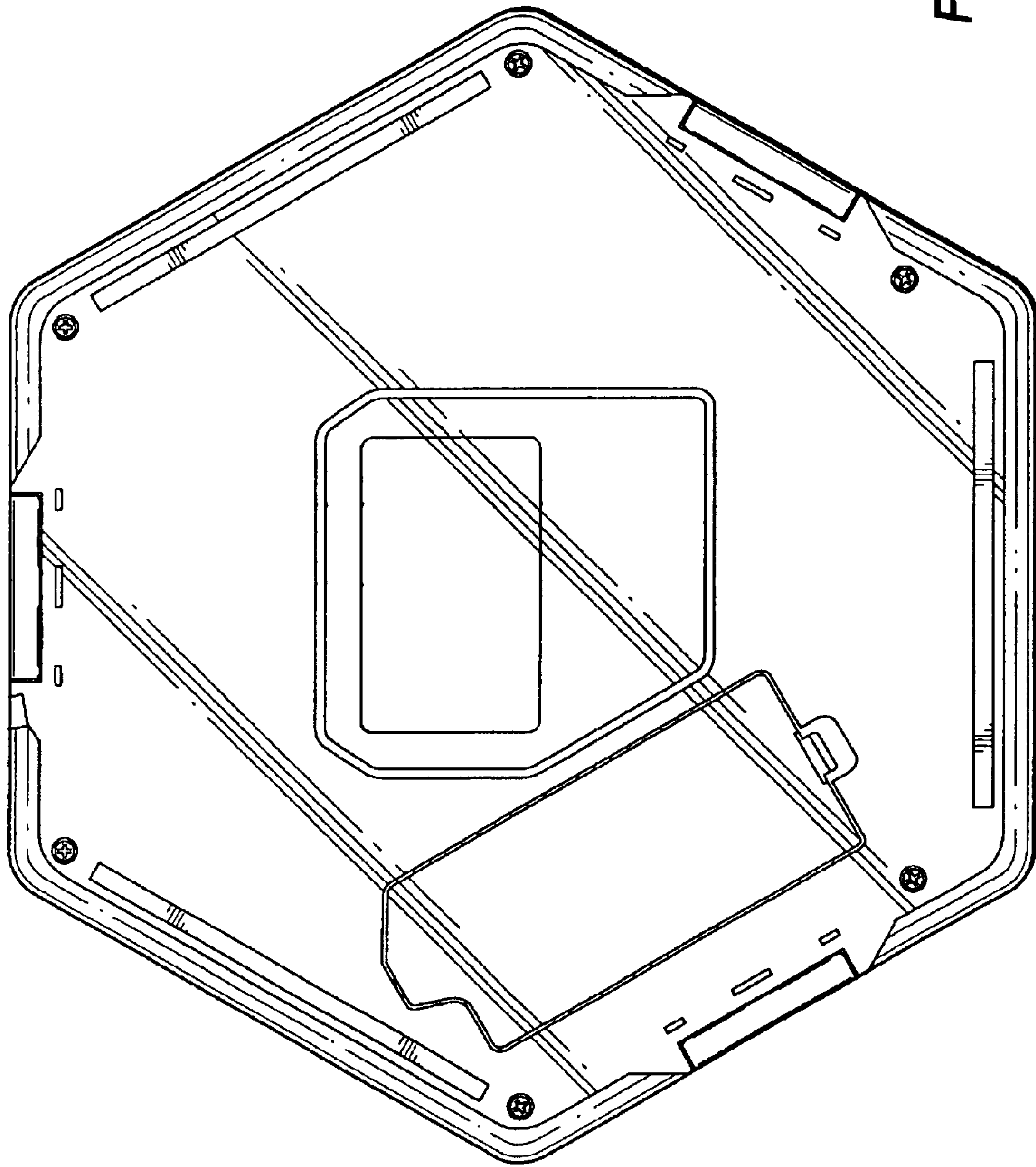


Fig. 3

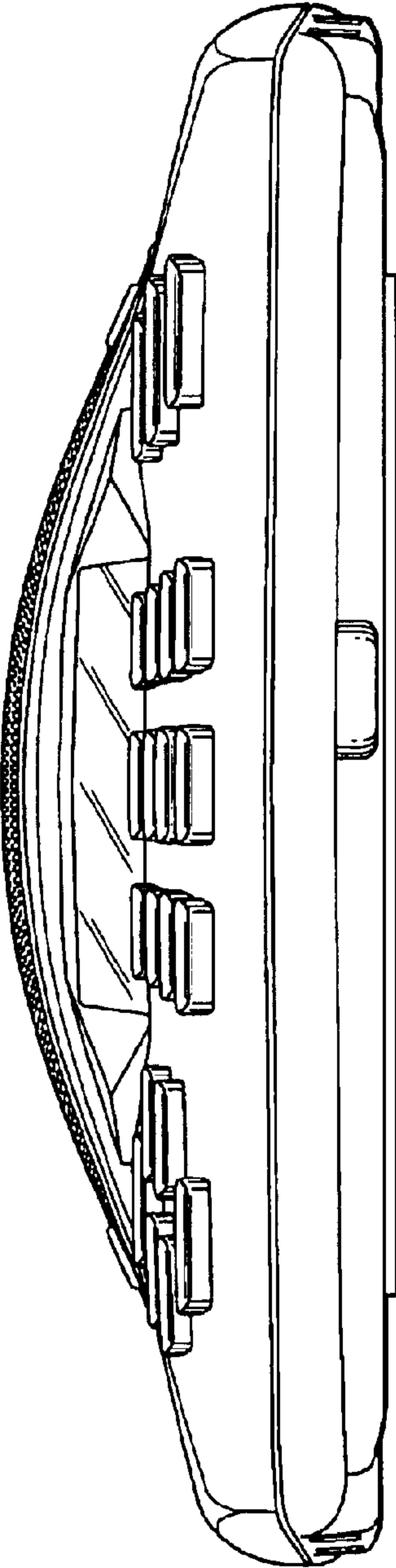


Fig. 4

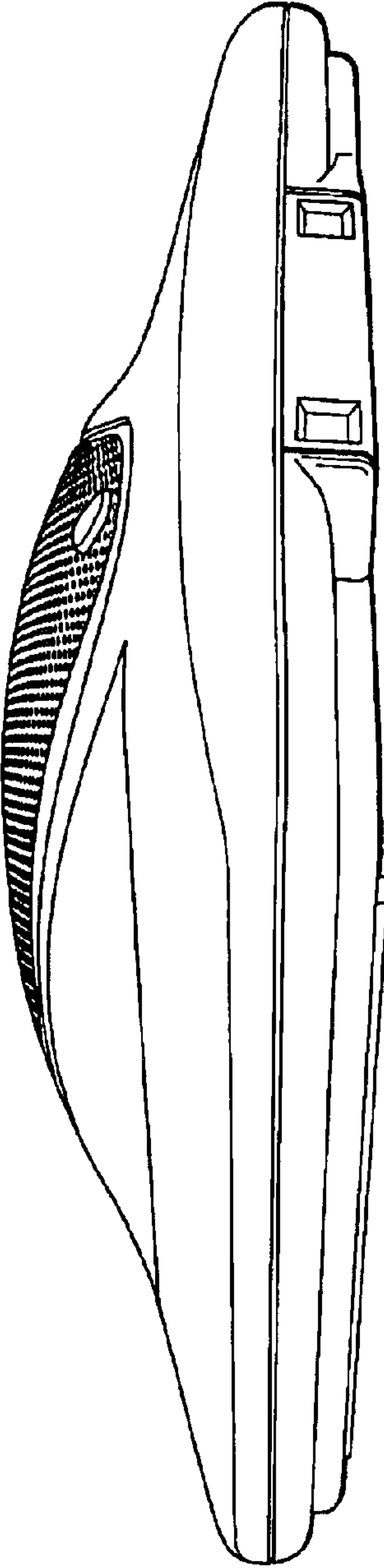


Fig. 5



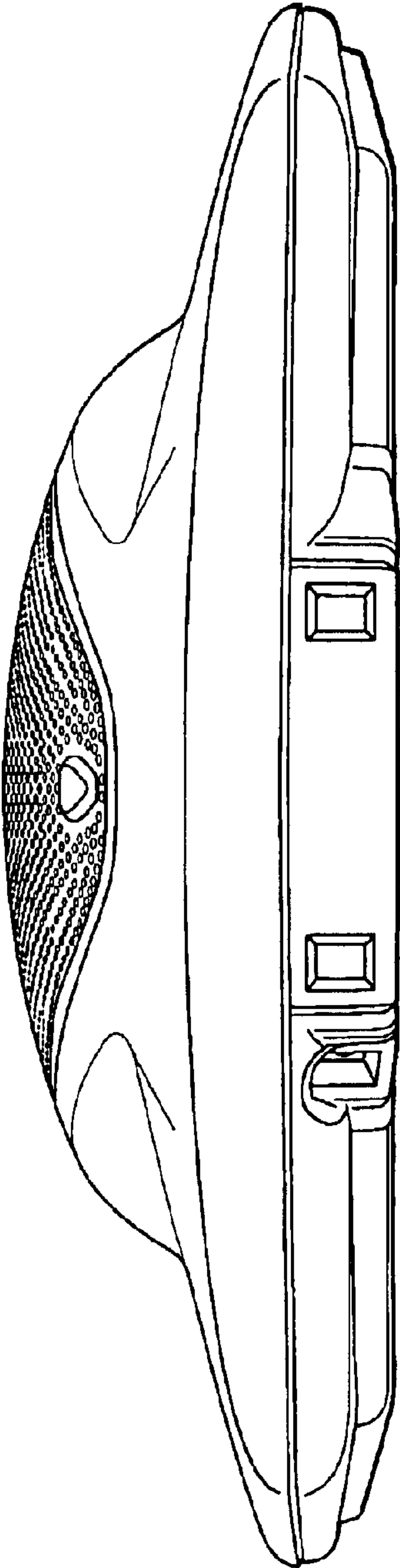


Fig. 6

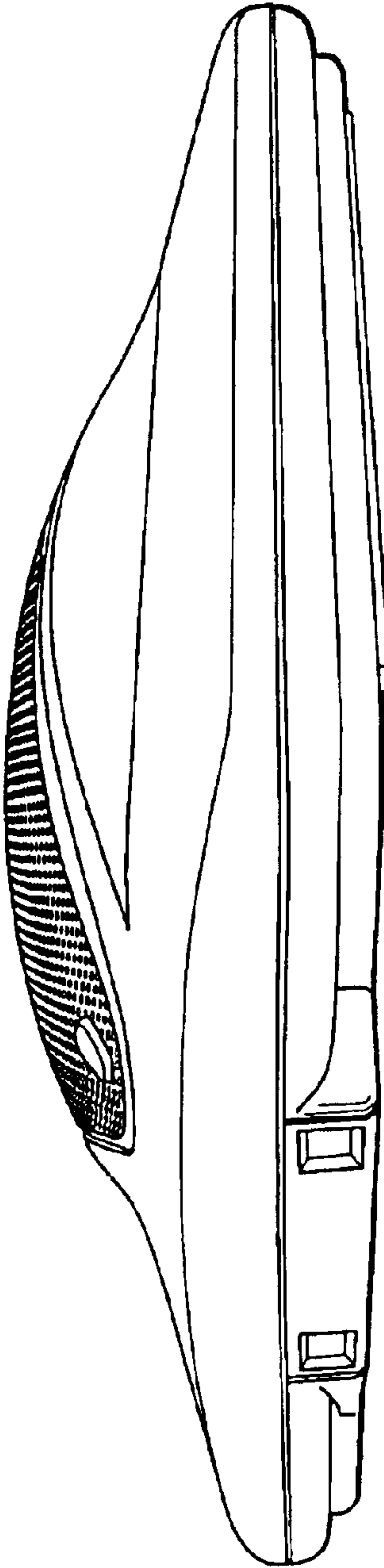


Fig. 7