

US00D499382S

(12) **United States Design Patent**  
**Zhu et al.**

(10) **Patent No.:** **US D499,382 S**  
(45) **Date of Patent:** **\*\* Dec. 7, 2004**

- (54) **ELECTRICAL CONNECTOR**
- (75) Inventors: **ZiQiang Zhu**, Kunsan (CN); **Guohua Zhang**, Kunsan (CN); **Wenke He**, Kunsan (CN)
- (73) Assignee: **Hon Hai Precision Ind. Co., Ltd.**, Taipei Hsien (TW)
- (\*\*) Term: **14 Years**
- (21) Appl. No.: **29/200,216**
- (22) Filed: **Feb. 24, 2004**
- (51) **LOC (7) Cl.** ..... **13-03**
- (52) **U.S. Cl.** ..... **D13/147**
- (58) **Field of Search** ..... D13/146, 147; 439/63, 78, 79, 108, 188, 540.1, 540.5, 544, 553, 557, 607-610, 638, 620, 676, 717, 677-681

- D427,975 S \* 7/2000 Zhu et al. .... D13/147
- 6,095,837 A \* 8/2000 David et al. .... 439/188
- D446,773 S \* 8/2001 Yao et al. .... D13/147
- D465,767 S \* 11/2002 Zhu et al. .... D13/147
- 6,475,033 B1 \* 11/2002 Zhu et al. .... 439/607
- D482,659 S \* 11/2003 Zhang ..... D13/147

\* cited by examiner

*Primary Examiner*—Stella Reid  
*Assistant Examiner*—Selina Sikder  
(74) *Attorney, Agent, or Firm*—Wei Te Chung

(57) **CLAIM**

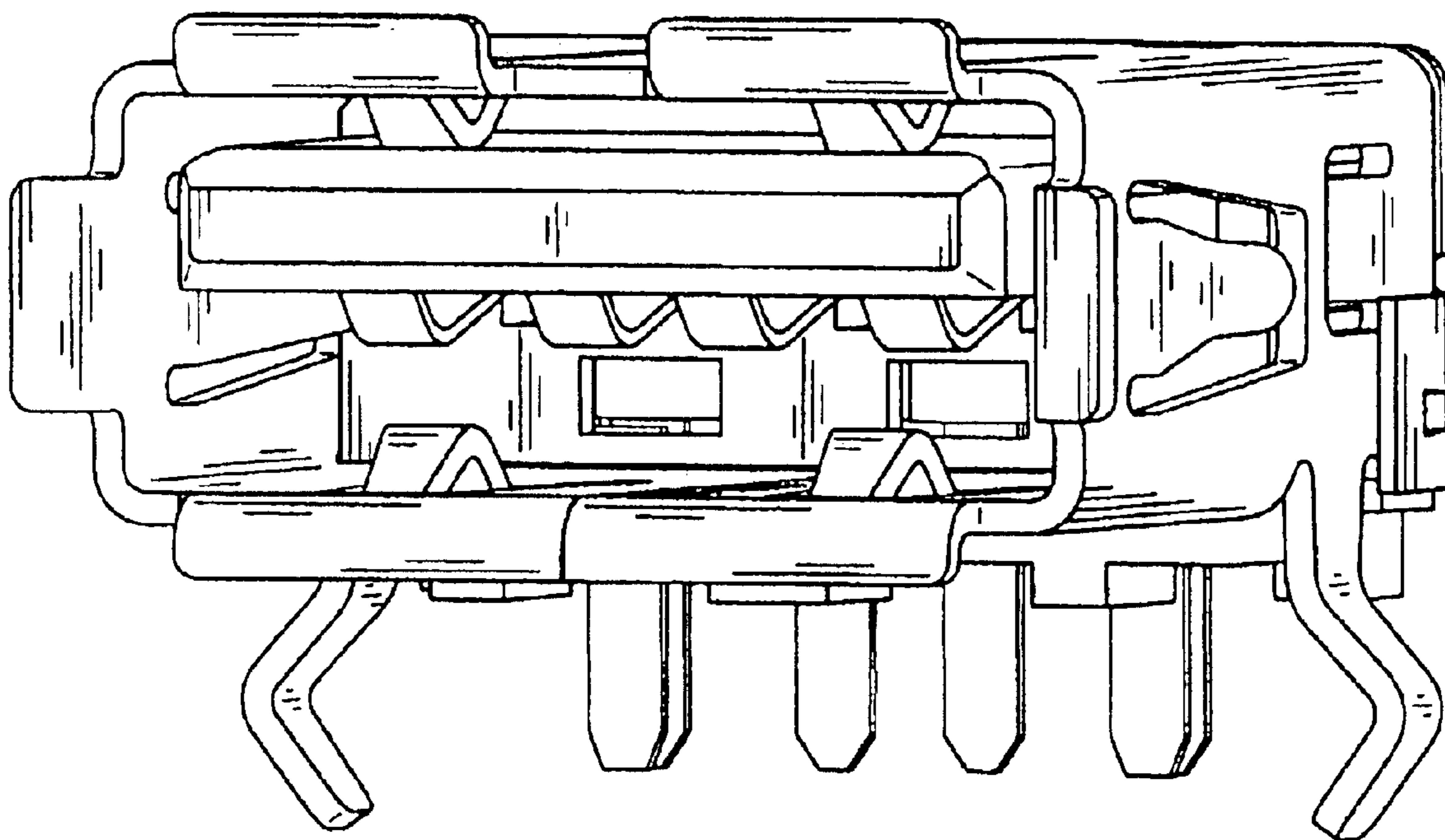
The ornamental design for an electrical connector, as shown.

**DESCRIPTION**

FIG. 1 is a perspective view of an electrical connector showing our new design; FIG. 2 is a front elevational view of FIG. 1; FIG. 3 is a rear elevational view of FIG. 1; FIG. 4 is a left side elevational view of FIG. 1; FIG. 5 is a right side elevational view of FIG. 1; FIG. 6 is a top plan view of FIG. 1; and, FIG. 7 is a bottom plan view of FIG. 1.

- (56) **References Cited**  
U.S. PATENT DOCUMENTS  
5,779,489 A \* 7/1998 Davis et al. .... 439/79  
D410,227 S \* 5/1999 Wu et al. .... D13/147  
5,993,258 A \* 11/1999 Matsunuma et al. .... 439/607

**1 Claim, 7 Drawing Sheets**



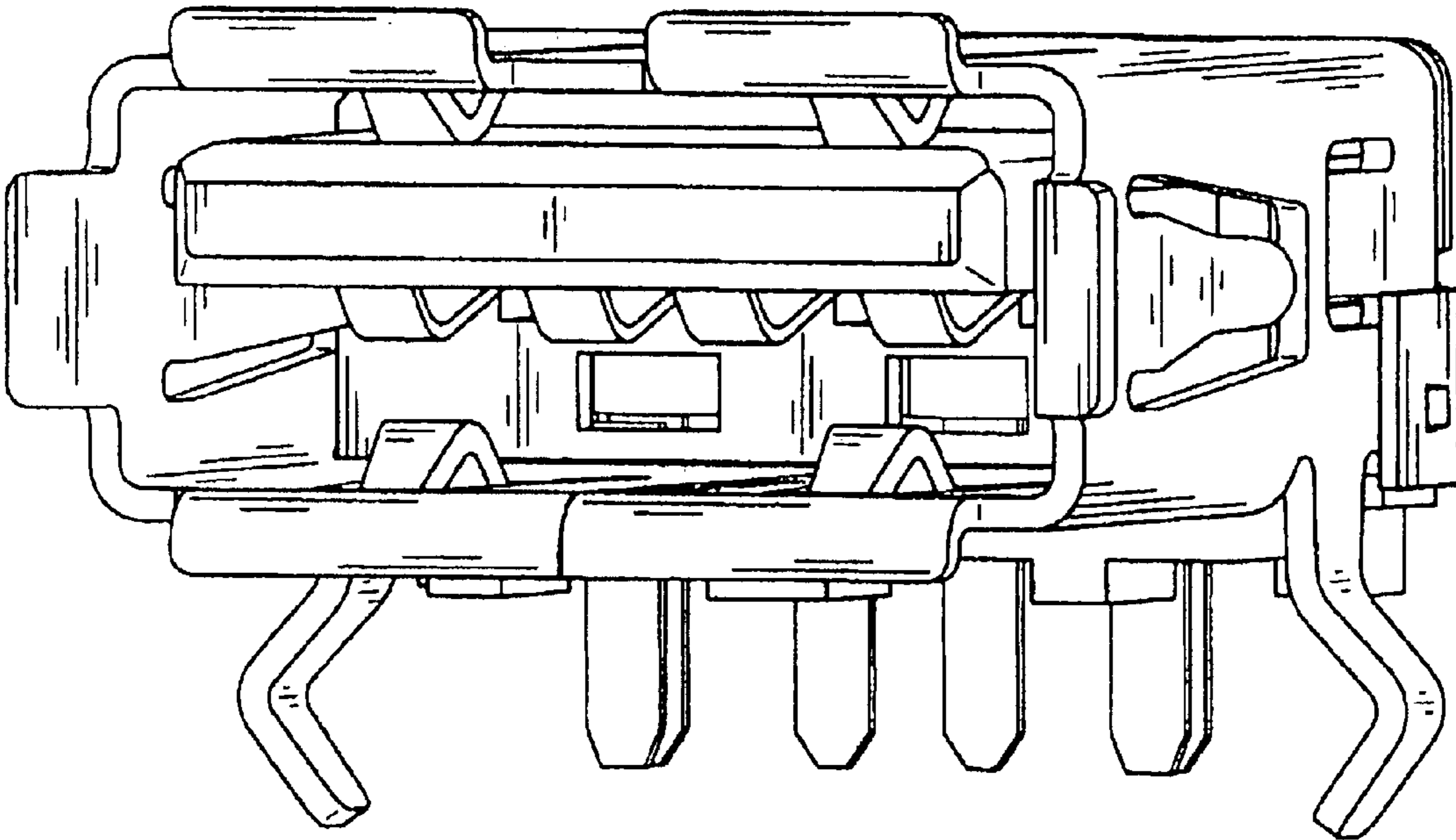


FIG. 1

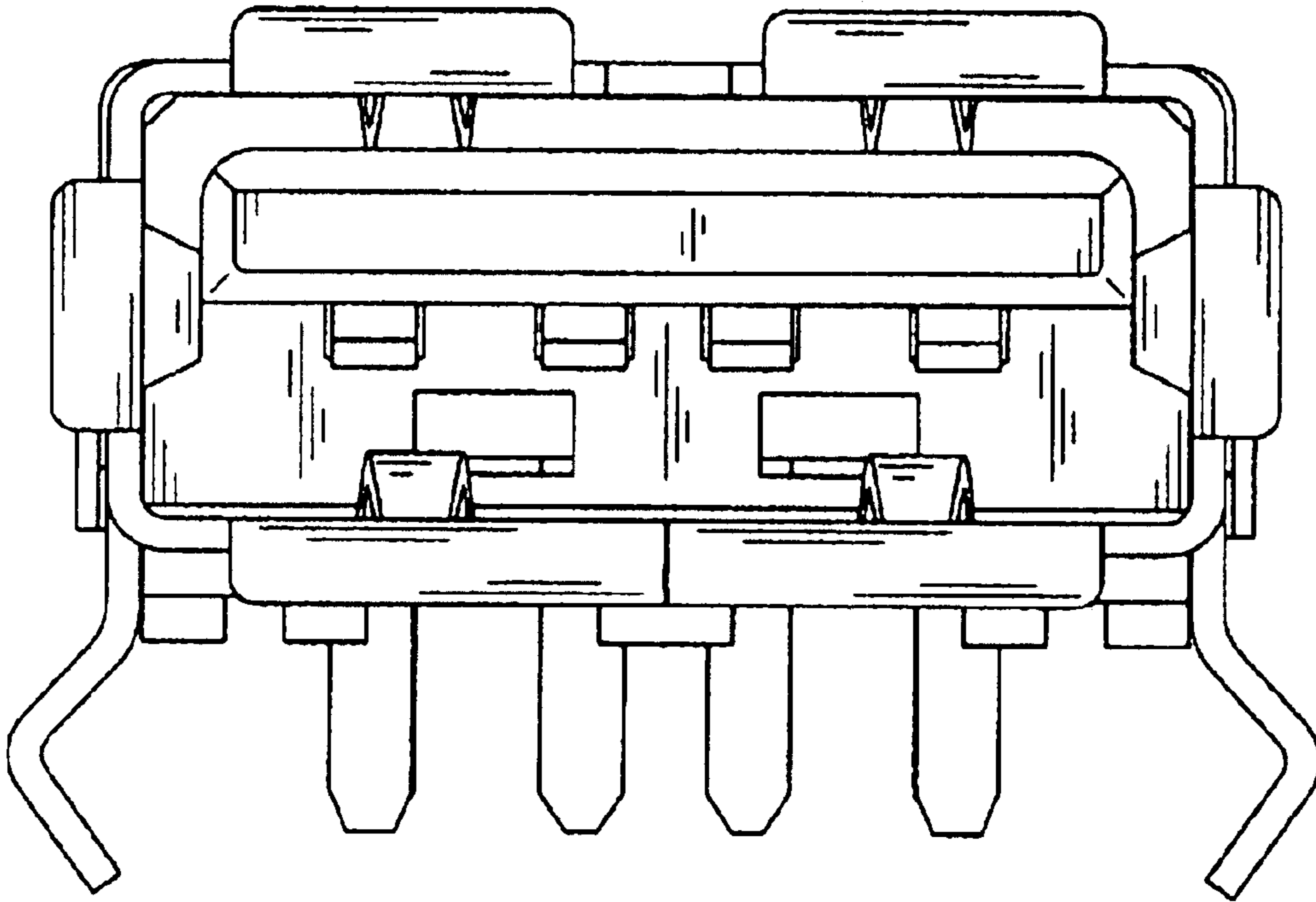


FIG. 2

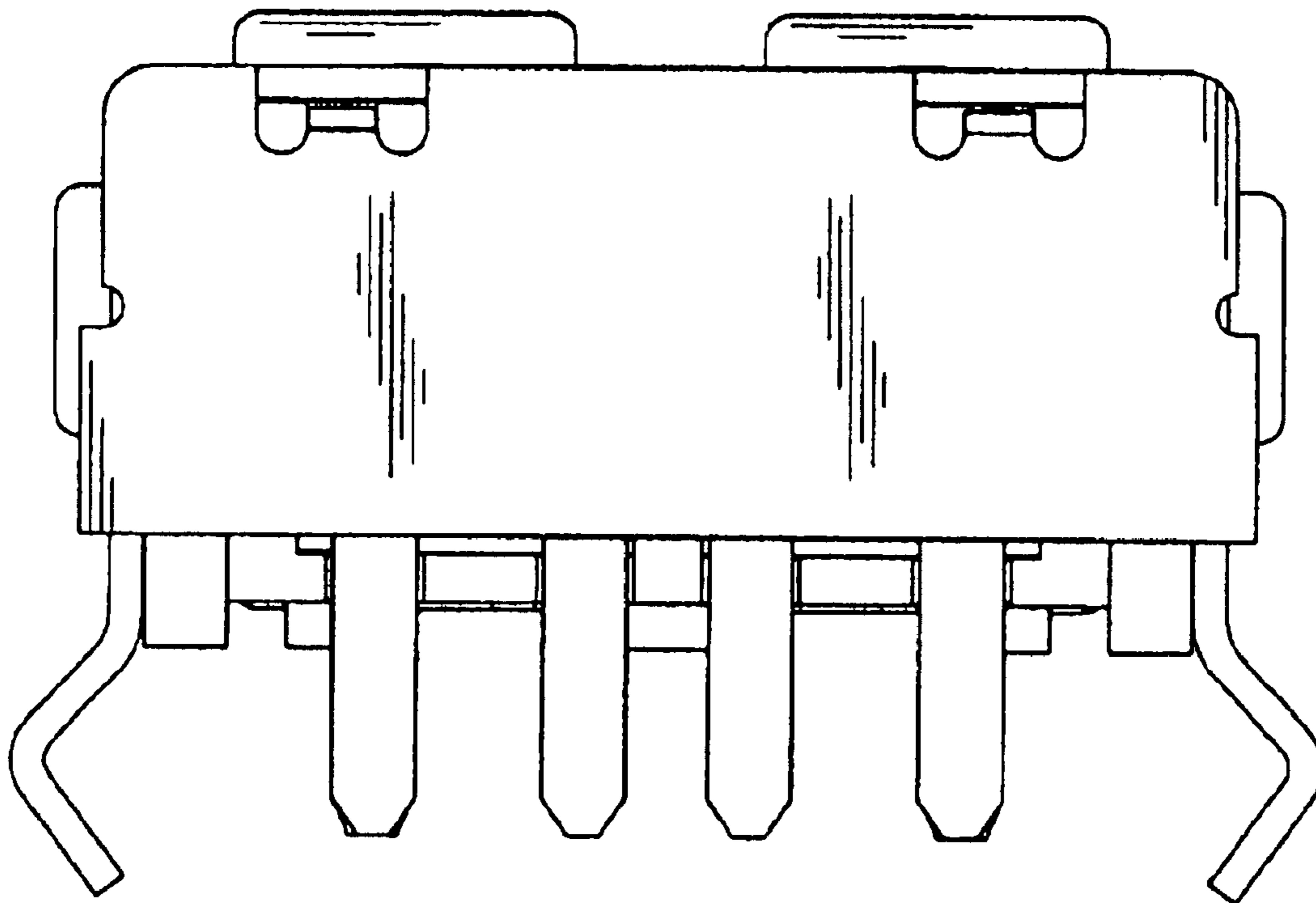


FIG. 3

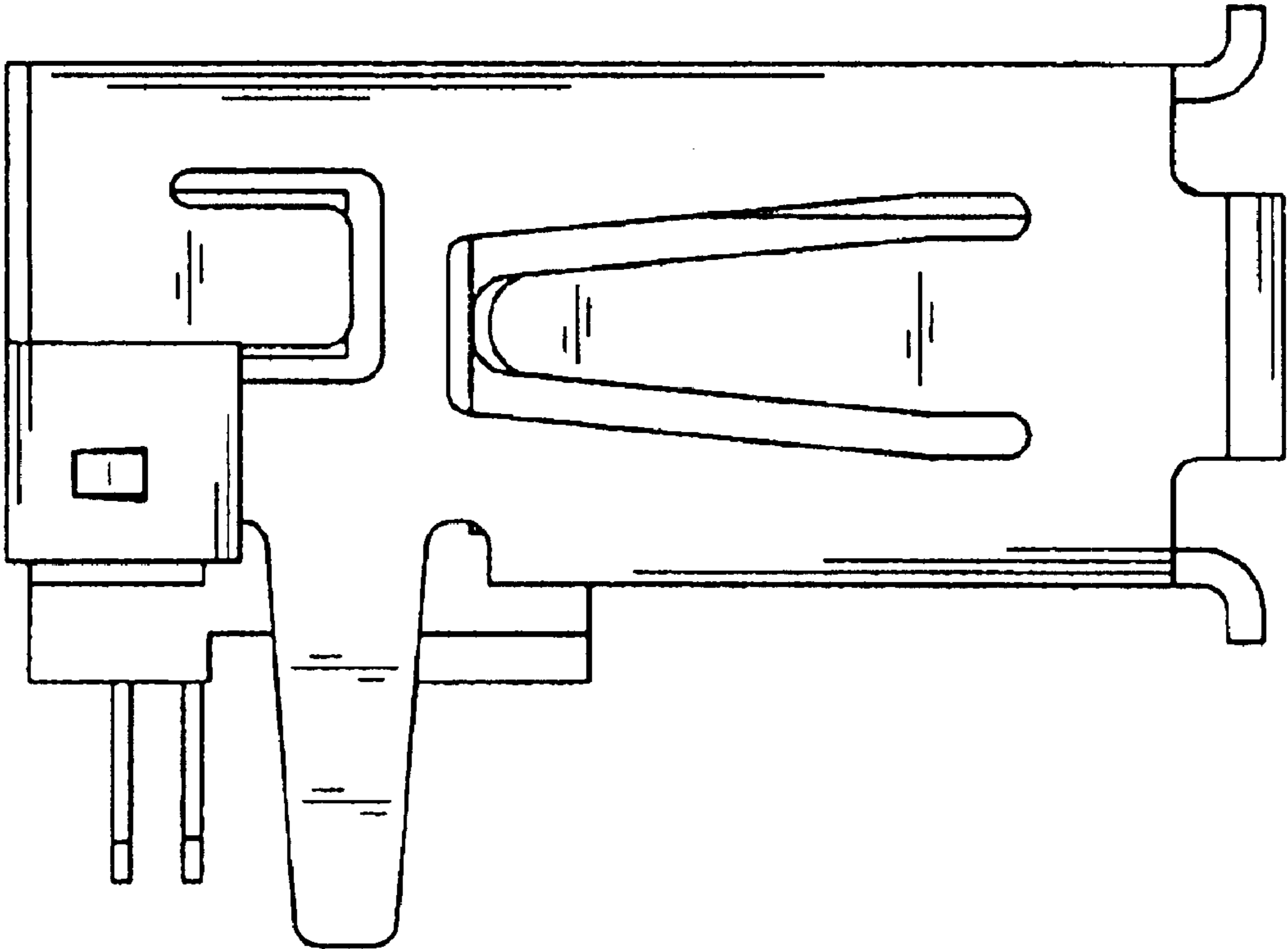


FIG. 4

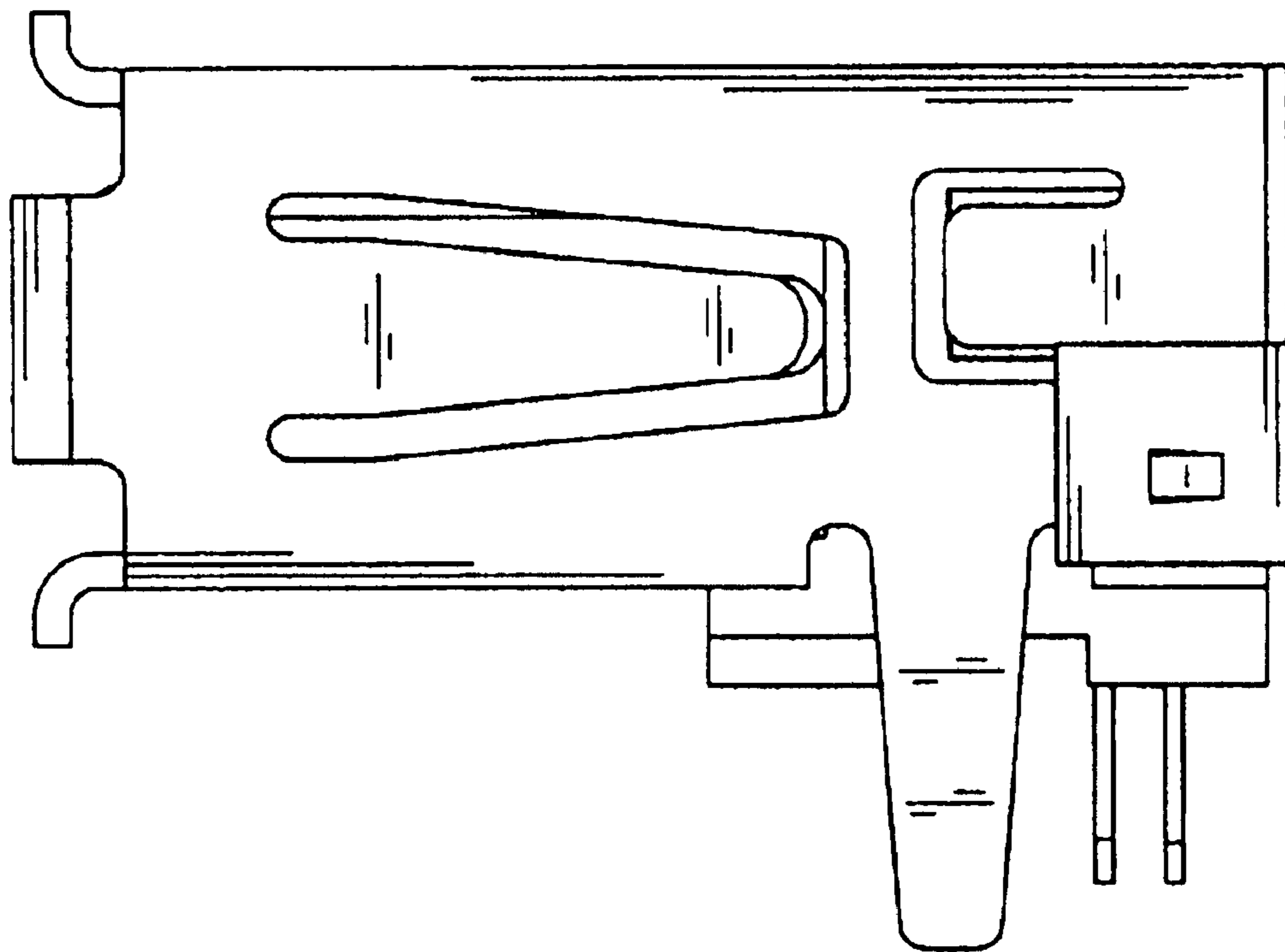


FIG. 5

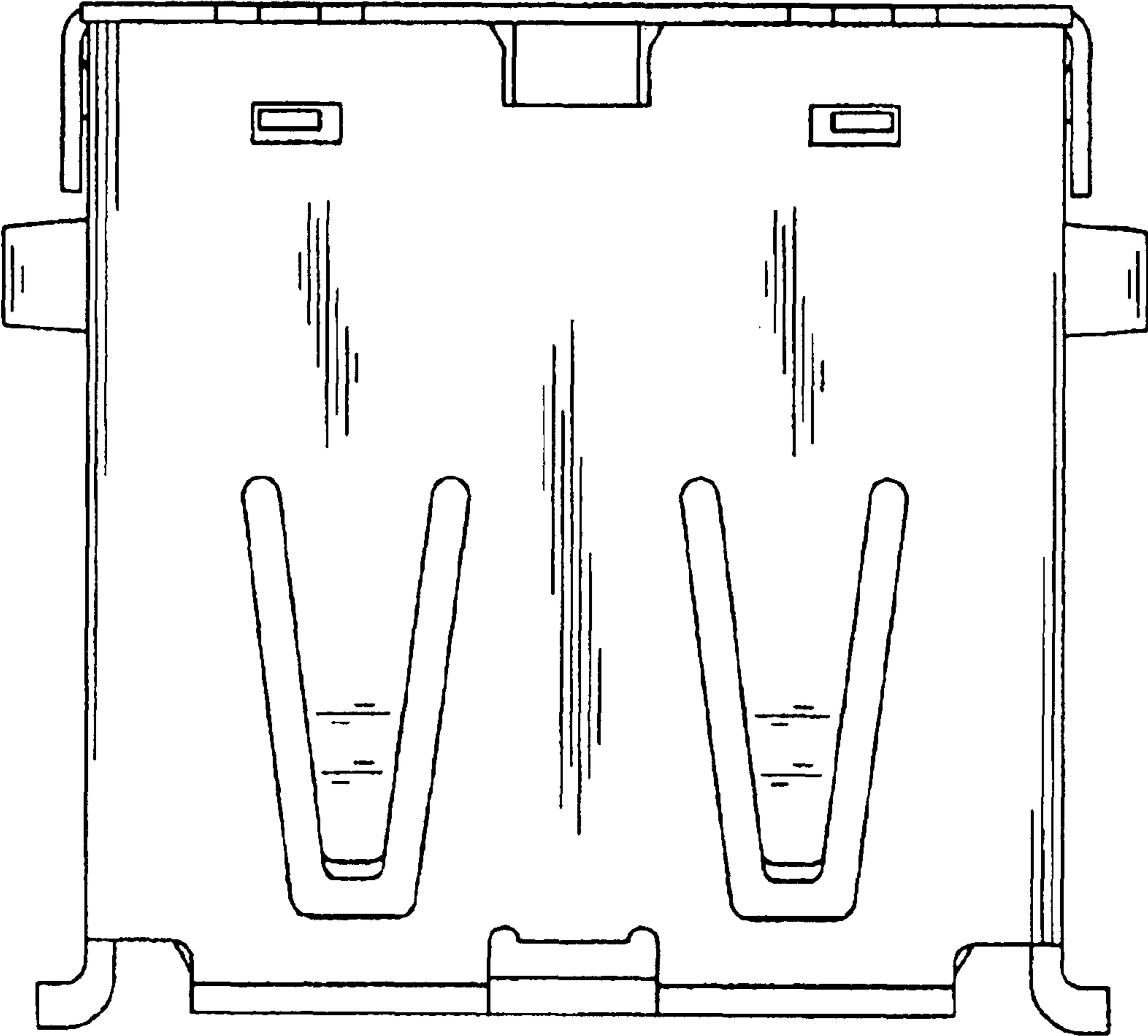


FIG. 6

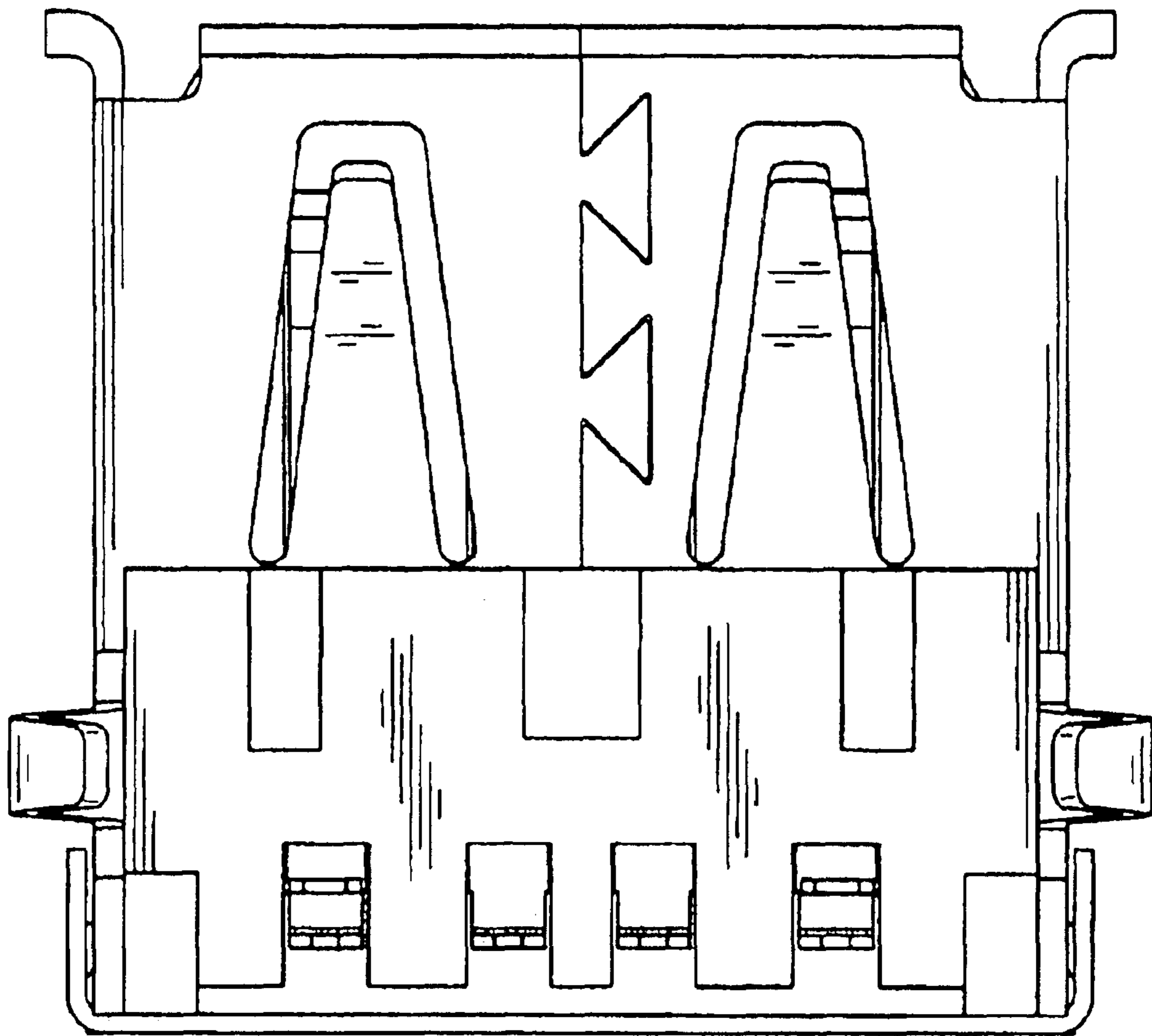


FIG. 7