

US00D499381S

(12) **United States Design Patent**  
**Hu et al.**

(10) **Patent No.: US D499,381 S**  
(45) **Date of Patent: \*\* Dec. 7, 2004**

(54) **ELECTRICAL CONNECTOR**

(75) Inventors: **Jinkui Hu**, Kunsan (CN); **Guohua Zhang**, Kunsan (CN); **ZiQiang Zhu**, Kunsan (CN); **Bo Liu**, Kunsan (CN); **YuLong Mao**, Kunsan (CN)

(73) Assignee: **Hon Hai Precision Ind. Co., Ltd.**, Taipei Hsien (TW)

(\*\*) Term: **14 Years**

(21) Appl. No.: **29/199,914**

(22) Filed: **Feb. 20, 2004**

(51) **LOC (7) Cl.** ..... **13-03**

(52) **U.S. Cl.** ..... **D13/147**

(58) **Field of Search** ..... D13/146, 147;  
439/63, 78, 108, 188, 540.1, 540.5, 544,  
553, 557, 607-610, 638, 620, 676, 717,  
677-681

(56) **References Cited**

**U.S. PATENT DOCUMENTS**

D418,817 S \* 1/2000 Wu ..... D13/147

6,383,024 B1 \* 5/2002 Wang et al. .... 439/607  
6,416,359 B1 \* 7/2002 Zhang et al. .... 439/607  
D465,204 S \* 11/2002 Shi et al. .... D13/147  
D465,765 S \* 11/2002 Zhang et al. .... D13/147  
D465,769 S \* 11/2002 Zhang et al. .... D13/147  
D466,084 S \* 11/2002 Zhang et al. .... D13/147

\* cited by examiner

*Primary Examiner*—Stella Reid  
*Assistant Examiner*—Selina Sikder

(74) *Attorney, Agent, or Firm*—Wei Te Chung

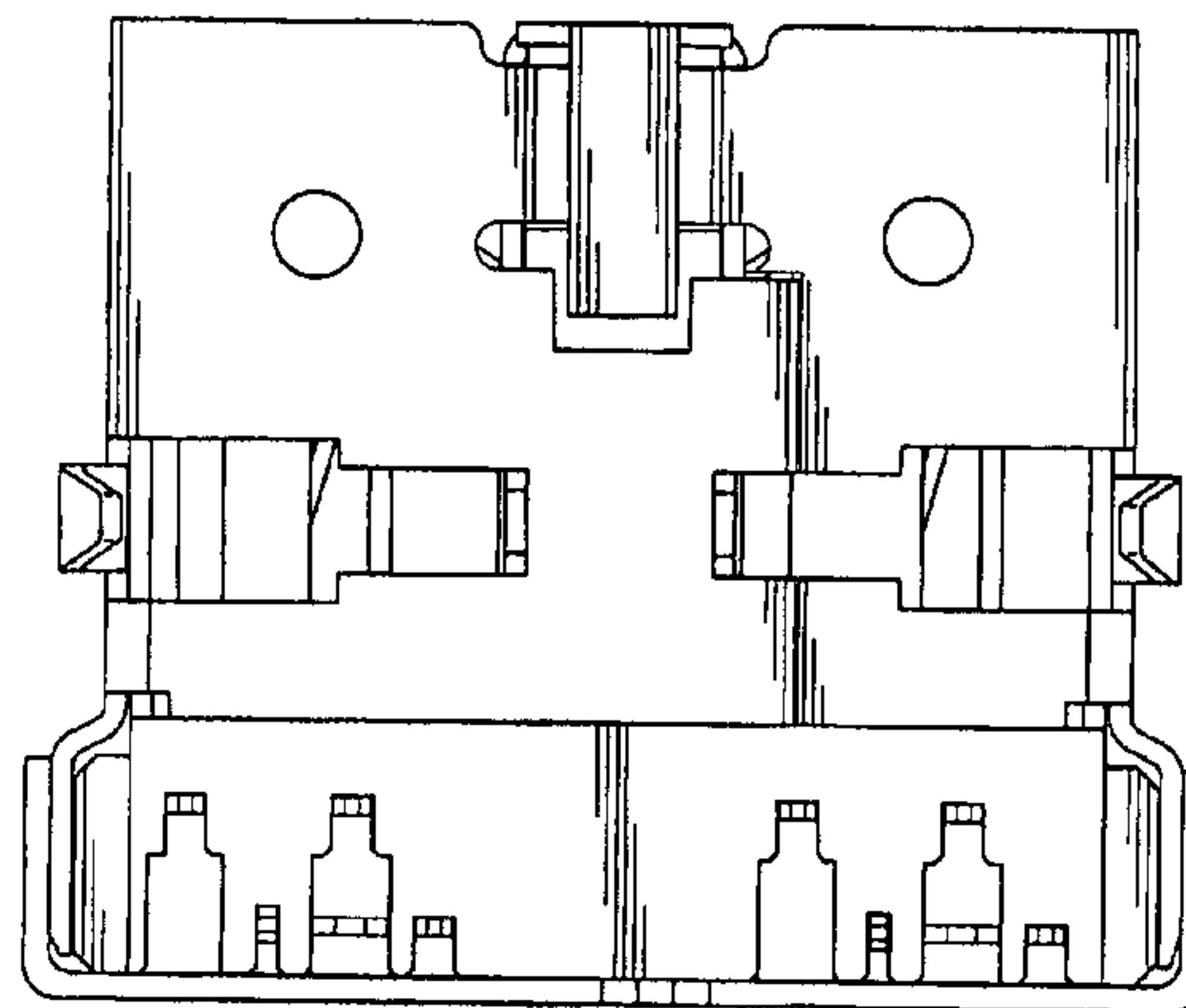
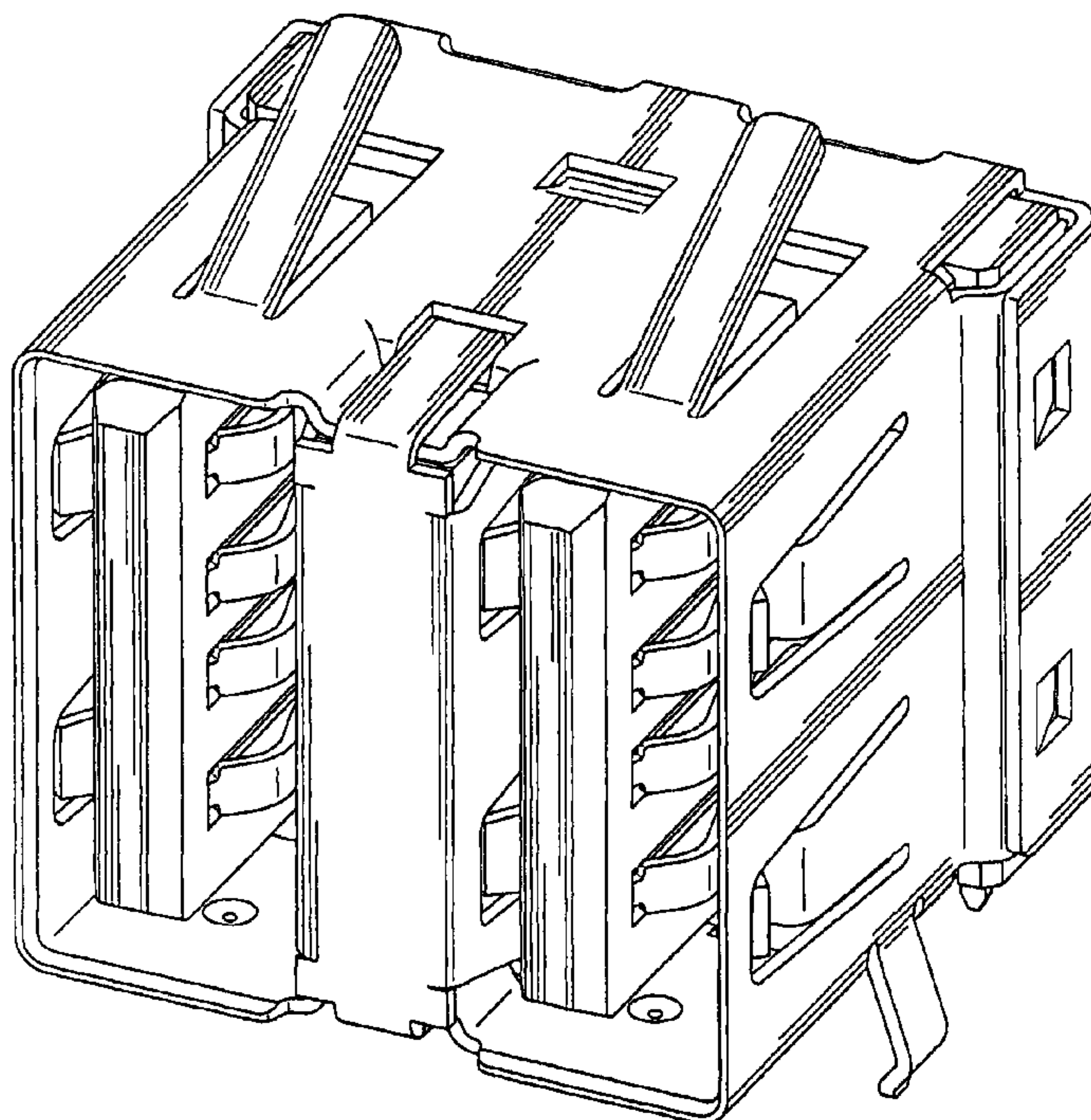
(57) **CLAIM**

The ornamental design for an electrical connector, as shown.

**DESCRIPTION**

FIG. 1 is a front, top and right side perspective view of an electrical connector showing our new design; FIG. 2 is a front elevational view thereof; FIG. 3 is a rear elevational view thereof; FIG. 4 is a left side elevational view thereof; FIG. 5 is a right side elevational view thereof; FIG. 6 is a top plan view thereof; and, FIG. 7 is a bottom plan view thereof.

**1 Claim, 7 Drawing Sheets**



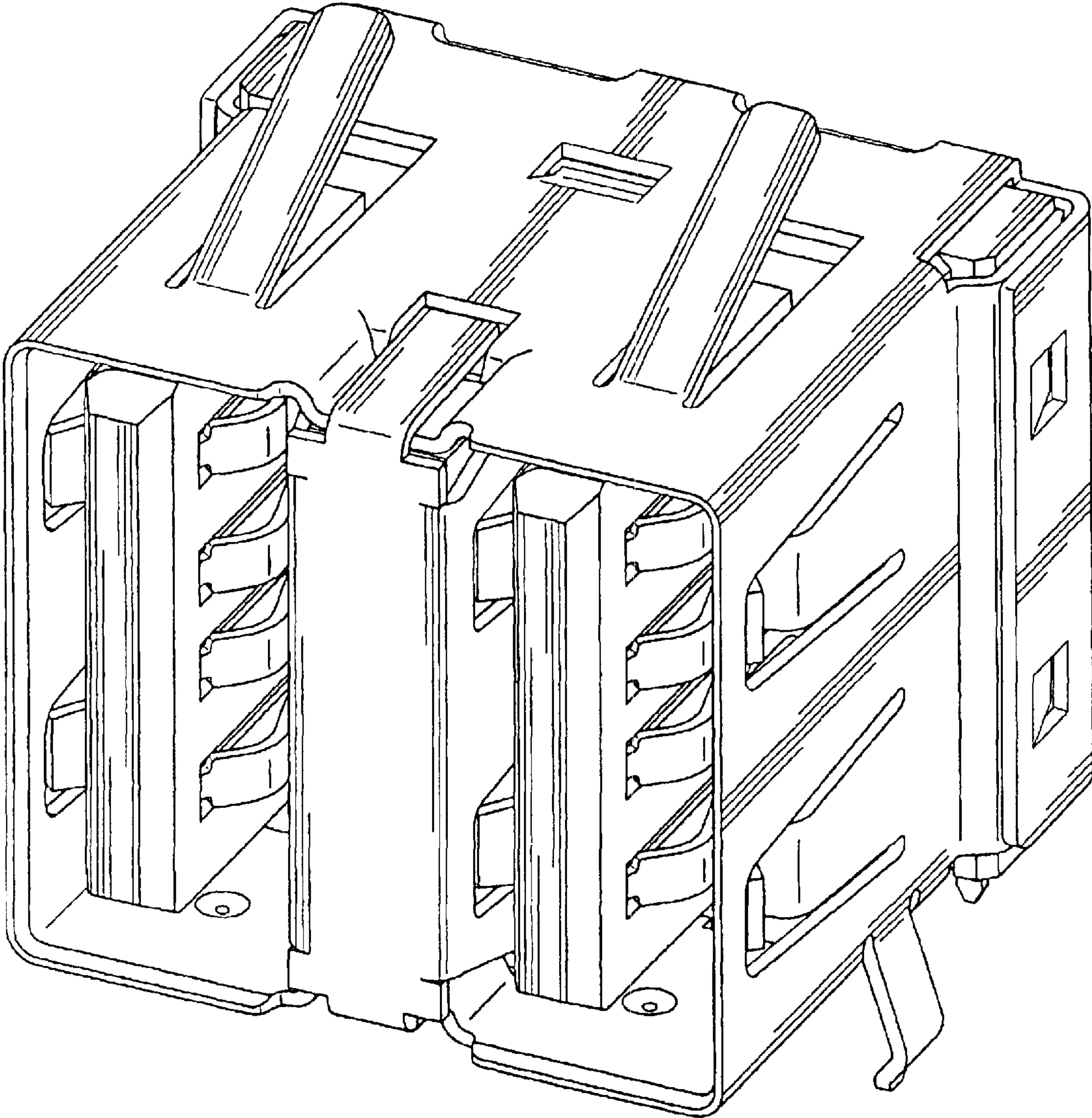


FIG. 1

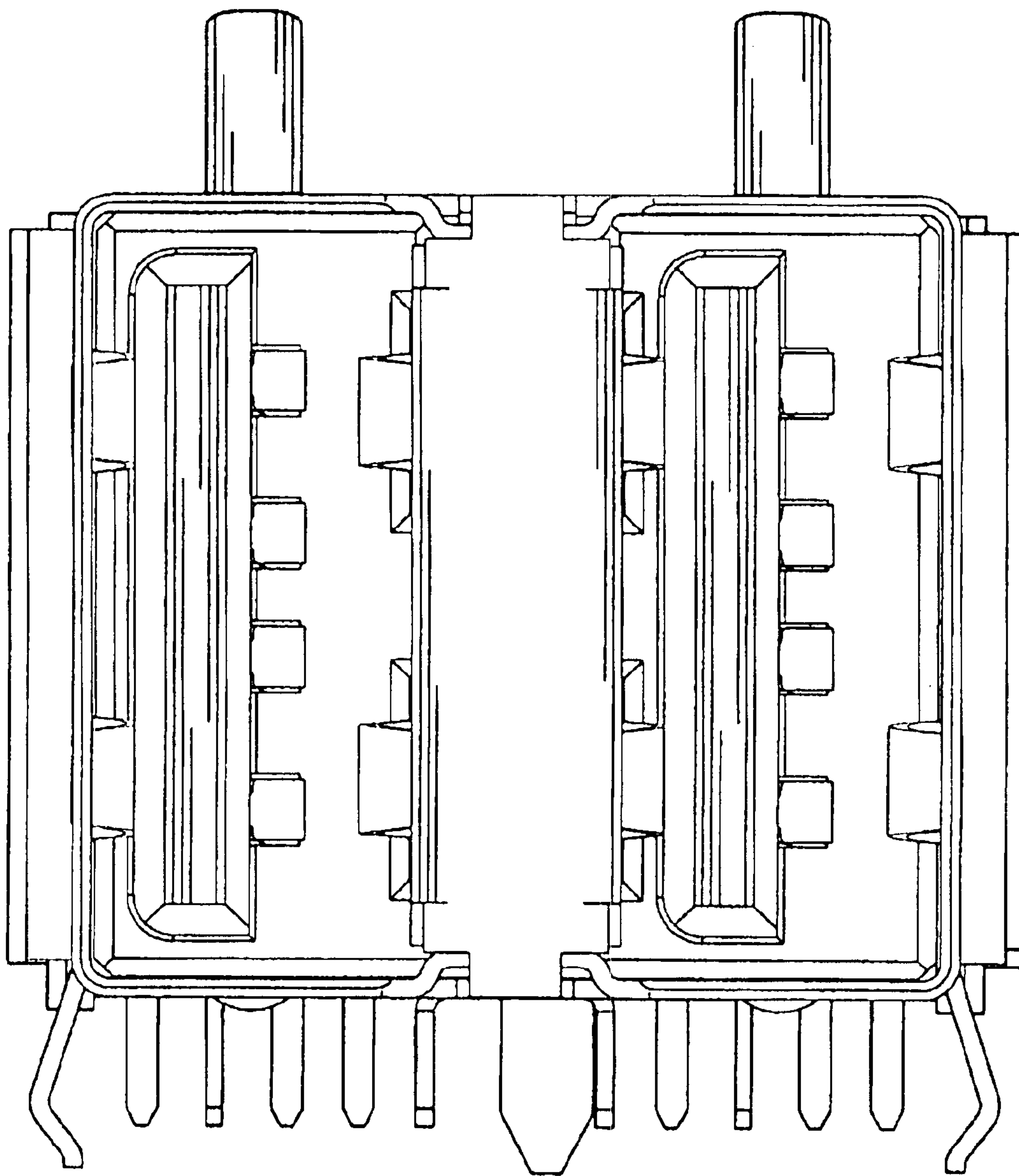


FIG. 2

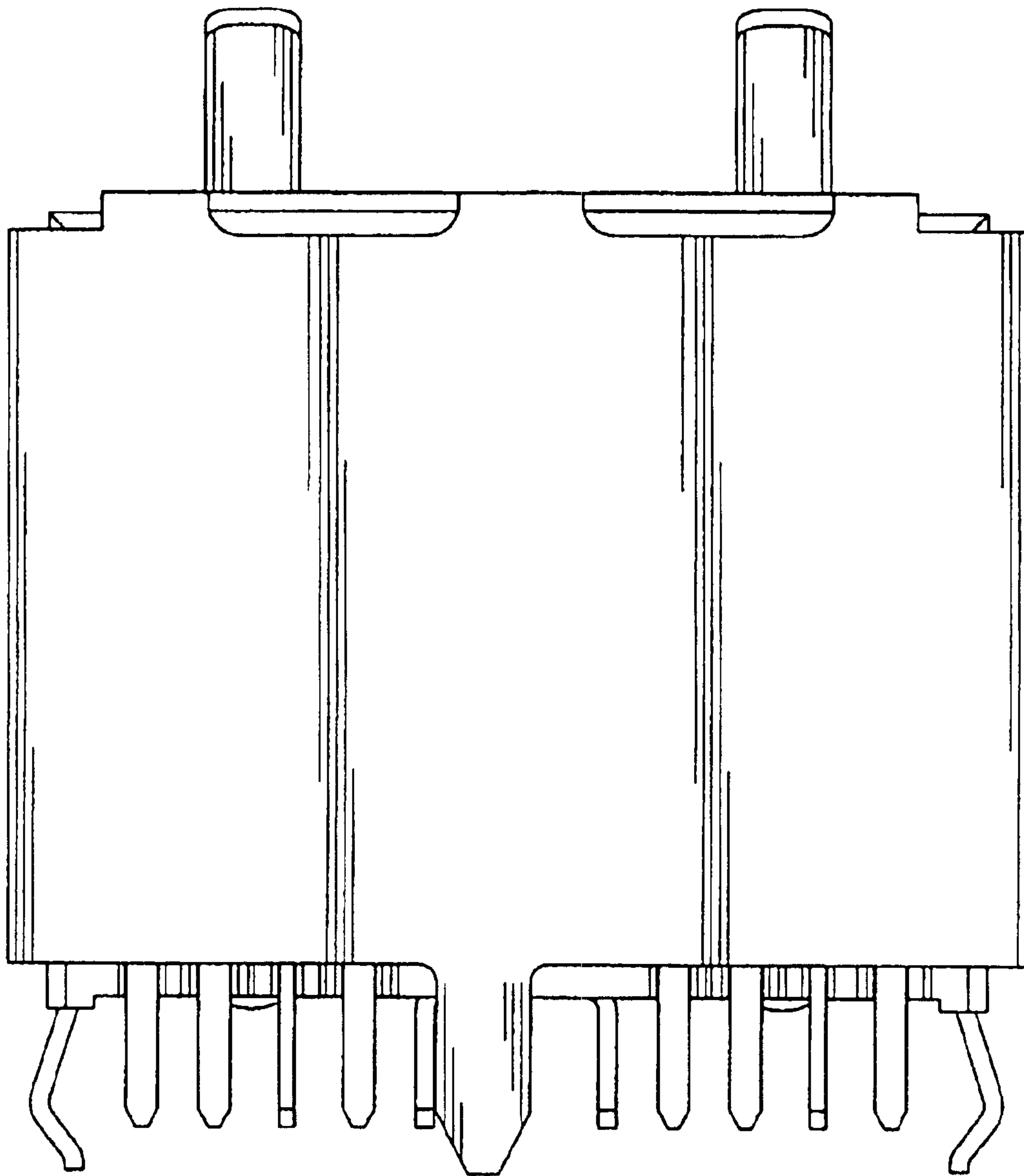


FIG. 3

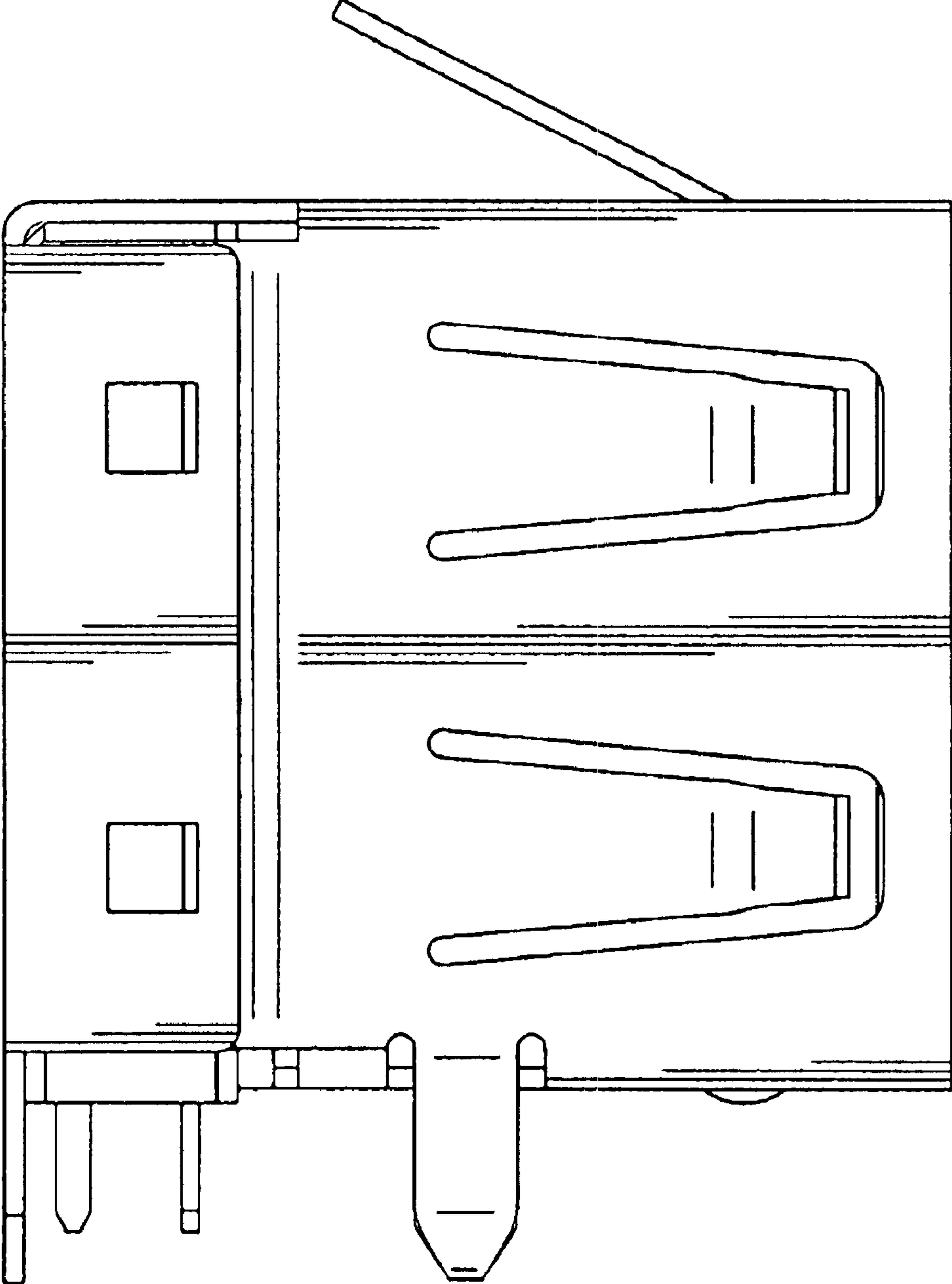


FIG. 4



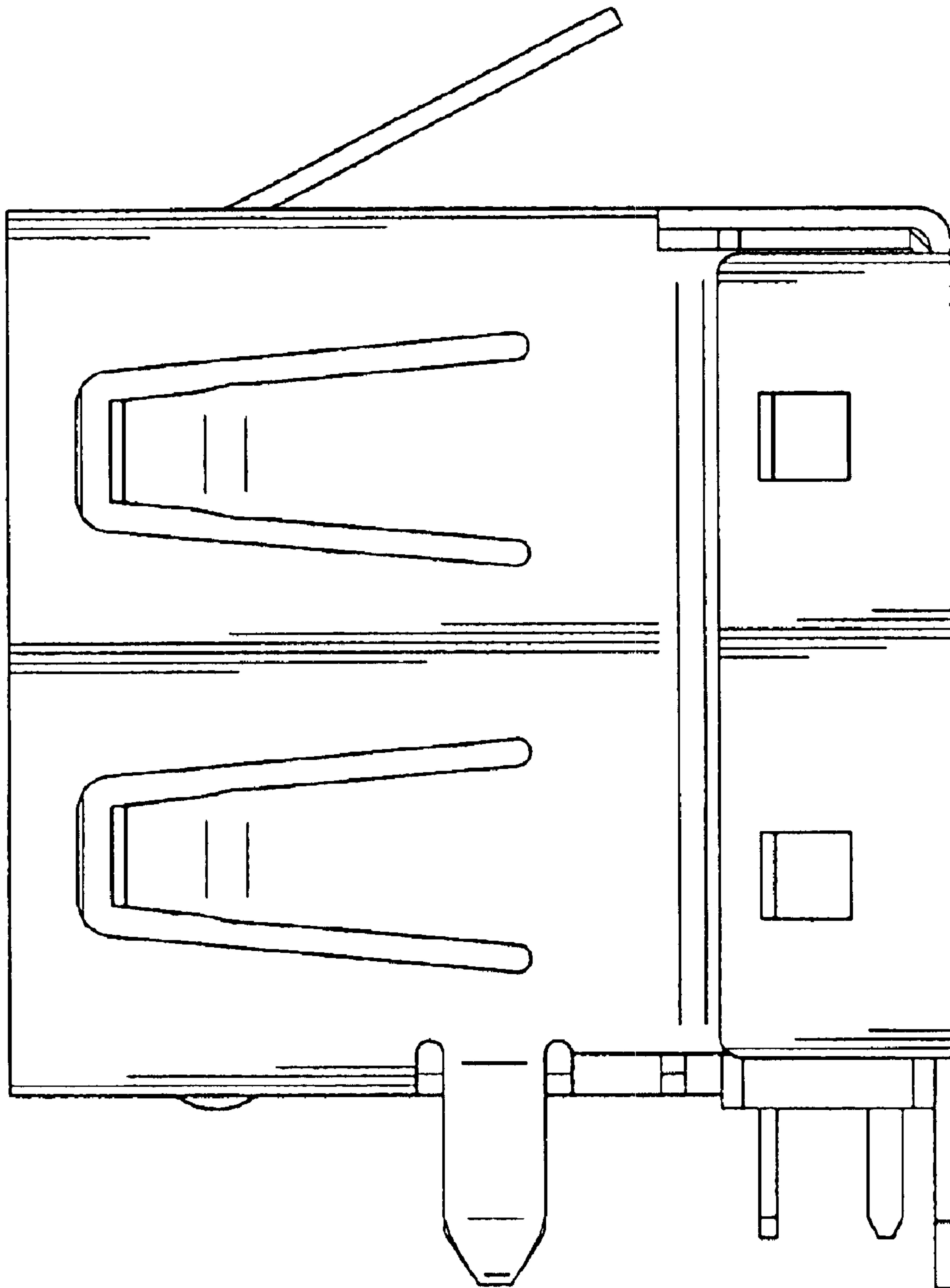


FIG. 5

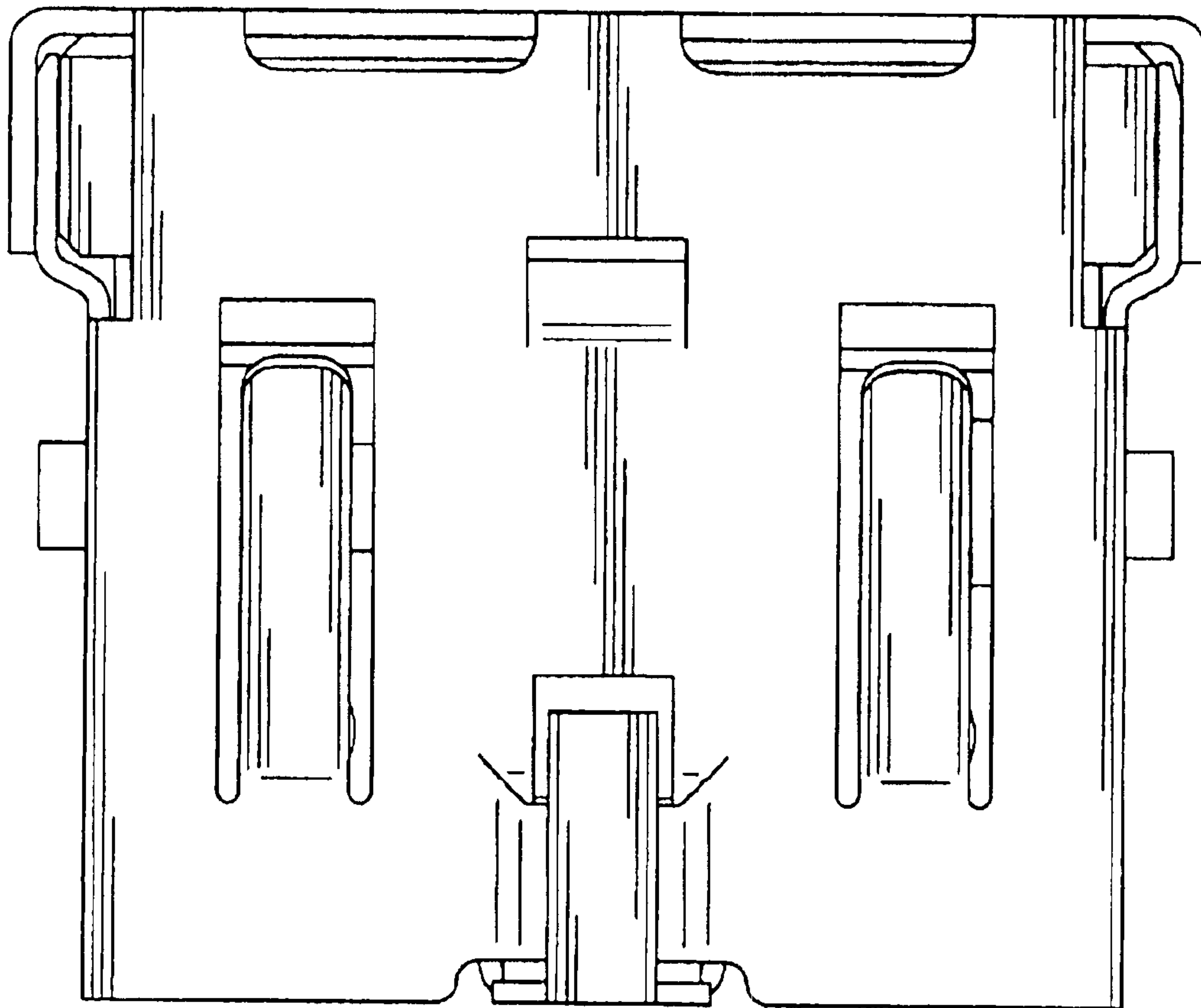


FIG. 6

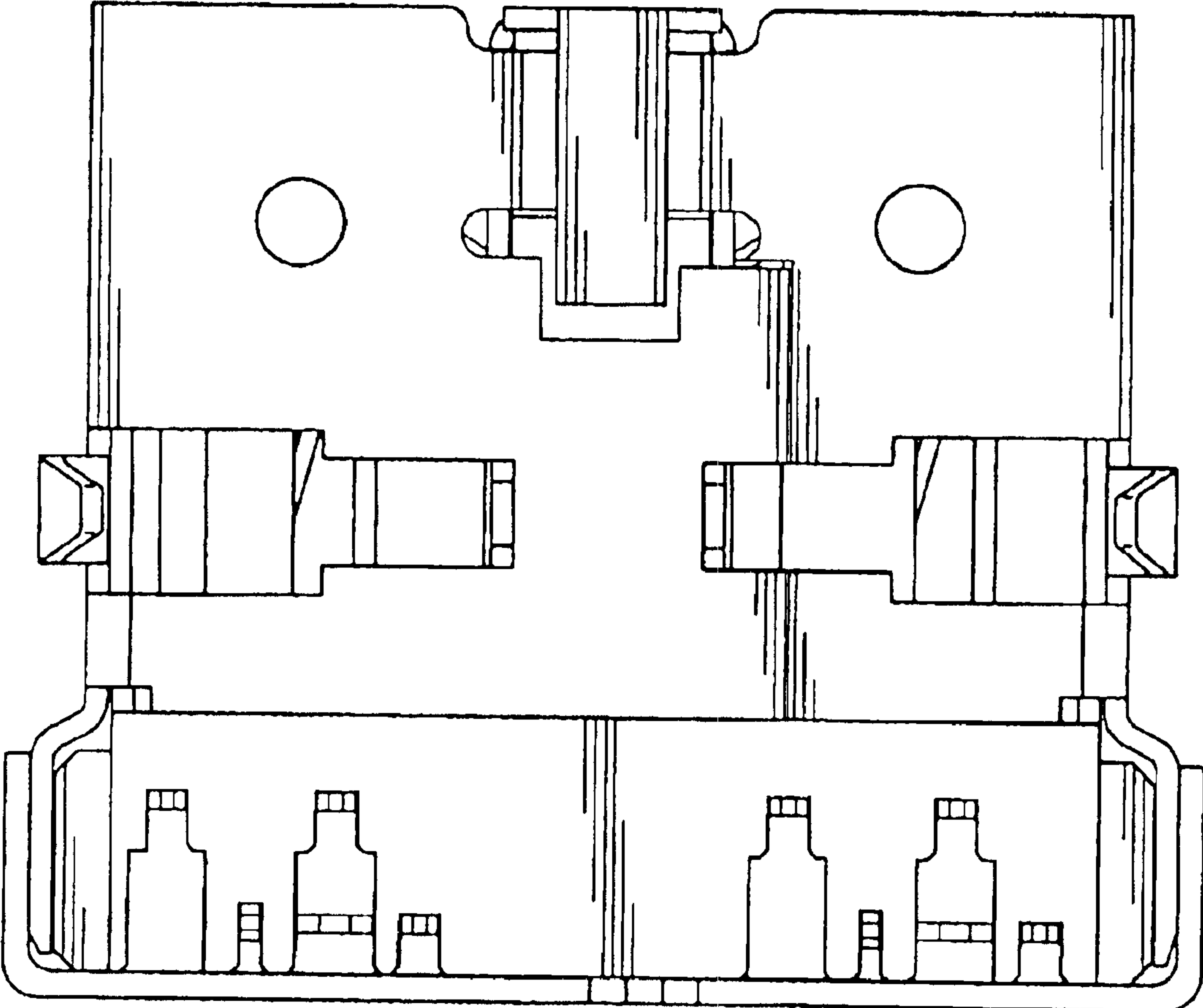


FIG. 7