

US00D499378S

(12) **United States Design Patent**  
**Lee et al.**

(10) **Patent No.: US D499,378 S**  
(45) **Date of Patent: \*\* Dec. 7, 2004**

(54) **ELECTRICAL CONNECTOR**  
(75) Inventors: **George Lee**, Irvine, CA (US); **William E. Spink, Jr.**, Laguna Niguel, CA (US)

D451,884 S \* 12/2001 Hisatomi et al. .... D13/147  
6,520,803 B1 \* 2/2003 Dunn ..... 439/608  
D485,532 S \* 1/2004 Lai ..... D13/147  
D491,527 S \* 6/2004 Fan ..... D13/147  
D491,895 S \* 6/2004 Lee et al. .... D13/147

(73) Assignee: **Hon Hai Precision Ind. Co., Ltd.**,  
Taipei Hsien (TW)

\* cited by examiner

(\*\*) Term: **14 Years**

*Primary Examiner*—Stella Reid  
*Assistant Examiner*—Selina Sikder

(21) Appl. No.: **29/185,215**

(74) *Attorney, Agent, or Firm*—Wei Te Chung

(22) Filed: **Jun. 23, 2003**

(57) **CLAIM**

(51) **LOC (7) Cl.** ..... **13-03**

The ornamental design for an electrical connector, as shown.

(52) **U.S. Cl.** ..... **D13/147**

**DESCRIPTION**

(58) **Field of Search** ..... D13/147; 439/74,  
439/83, 62, 79, 108, 260, 329, 395, 422,  
492, 499, 607, 608, 637, 660

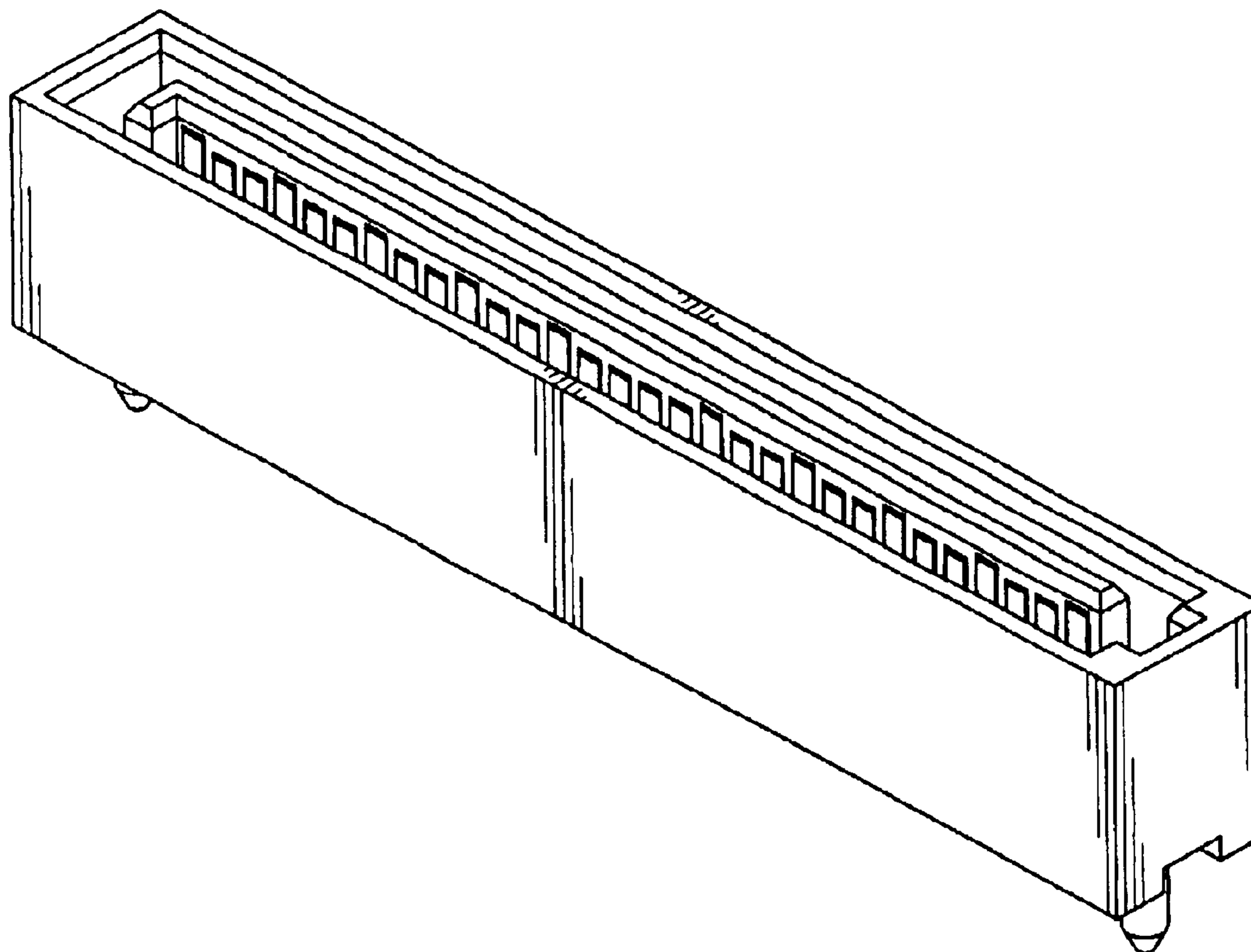
FIG. 1 is a front, top and right side perspective view of an electrical connector showing our new design; FIG. 2 is a front elevational view thereof; FIG. 3 is a rear elevational view thereof; FIG. 4 is a left side elevational view thereof; FIG. 5 is a right side elevational view thereof; FIG. 6 is a top plan view thereof; and, FIG. 7 is a bottom plan view thereof.

(56) **References Cited**

**U.S. PATENT DOCUMENTS**

6,149,468 A \* 11/2000 Meng ..... 439/637  
6,179,632 B1 \* 1/2001 Wu et al. .... 439/83  
6,241,556 B1 \* 6/2001 Chih ..... 439/607  
6,319,068 B1 \* 11/2001 Bao ..... 439/660

**1 Claim, 6 Drawing Sheets**



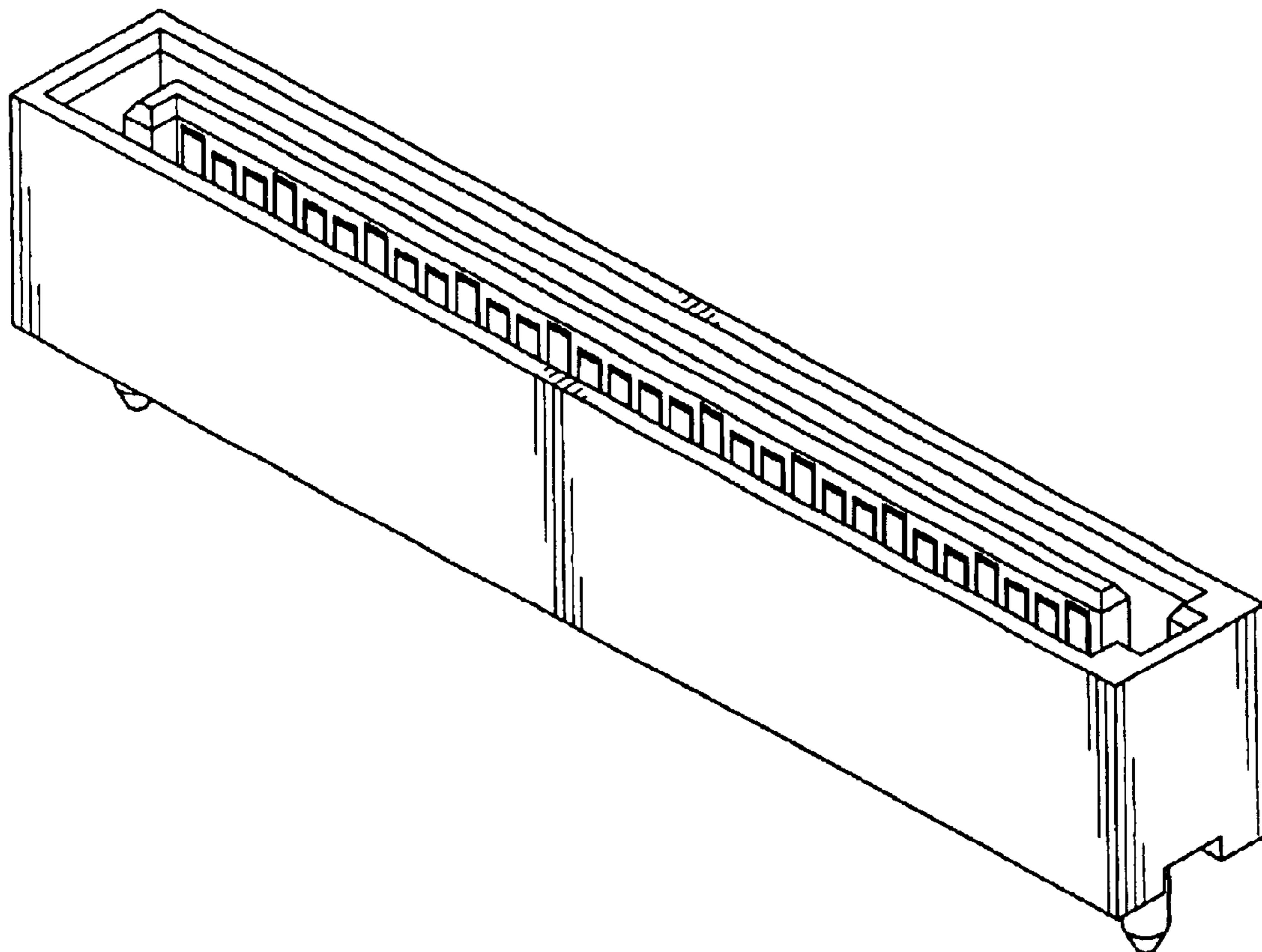


FIG. 1

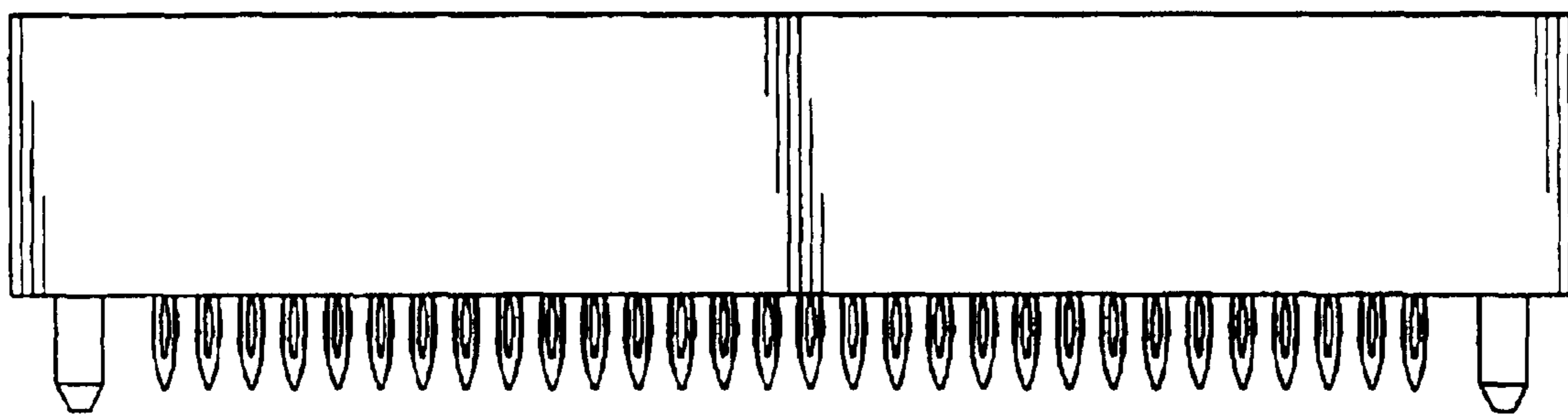


FIG. 2

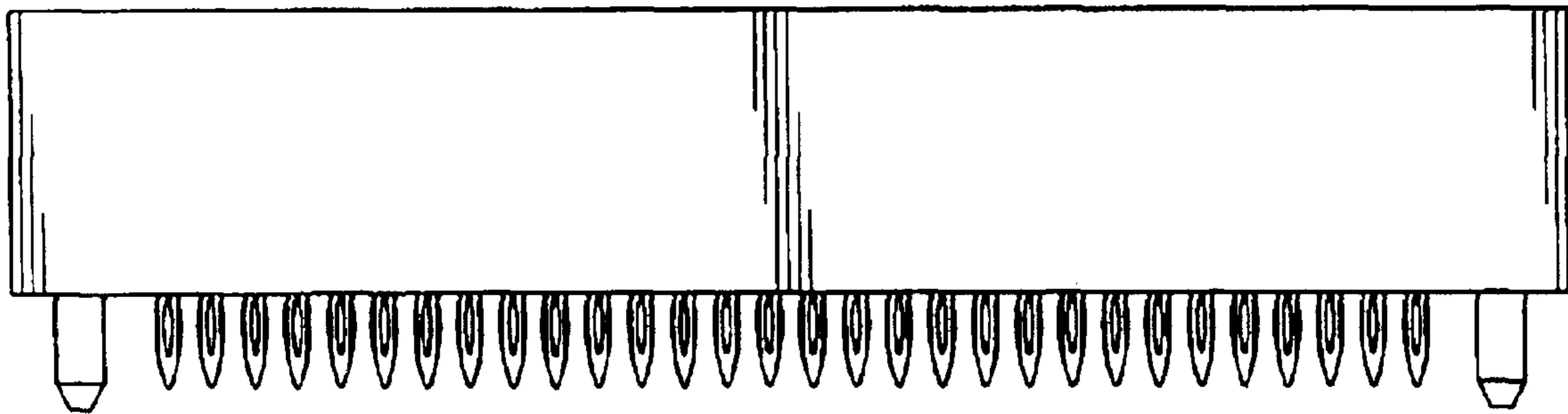


FIG. 3

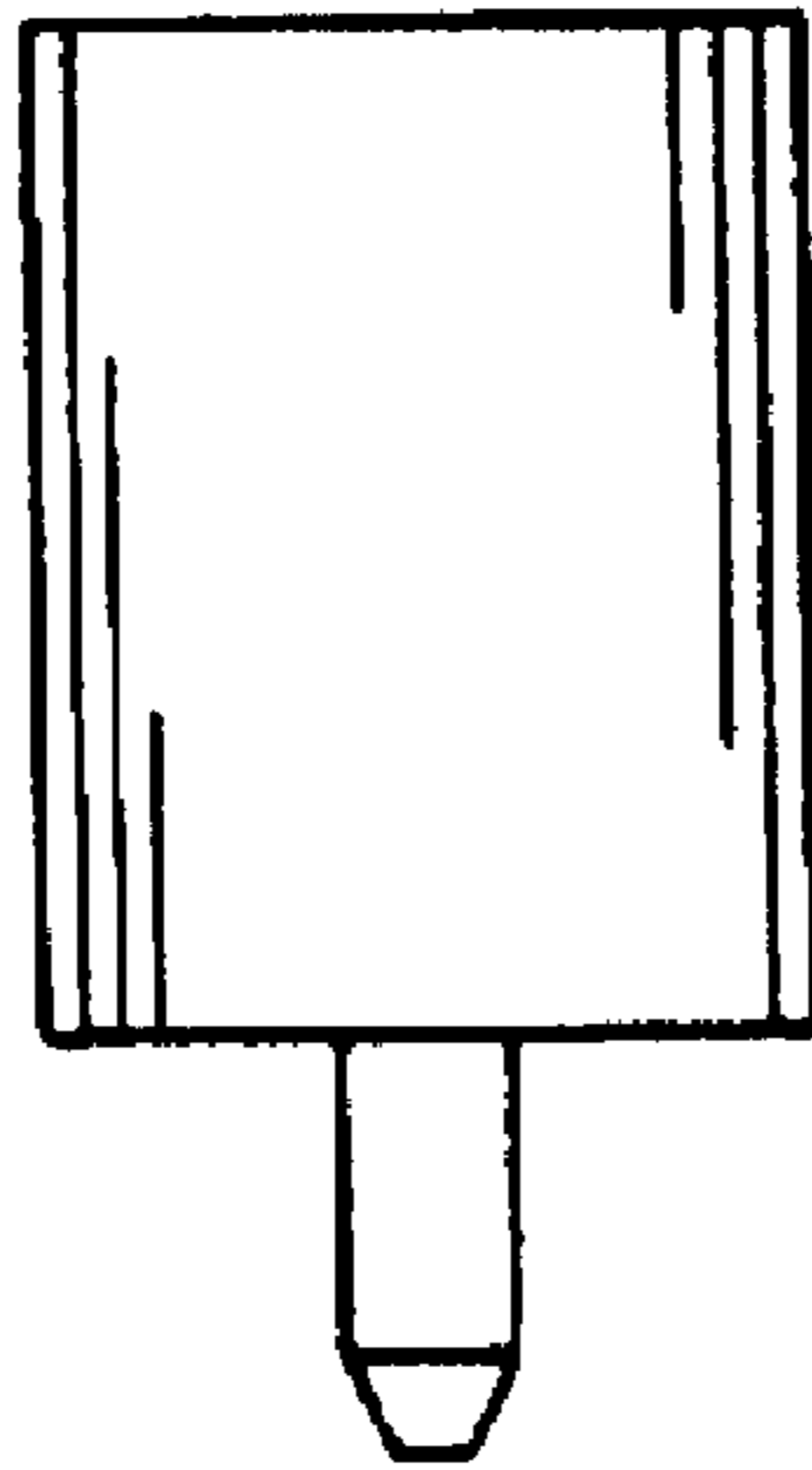


FIG. 4

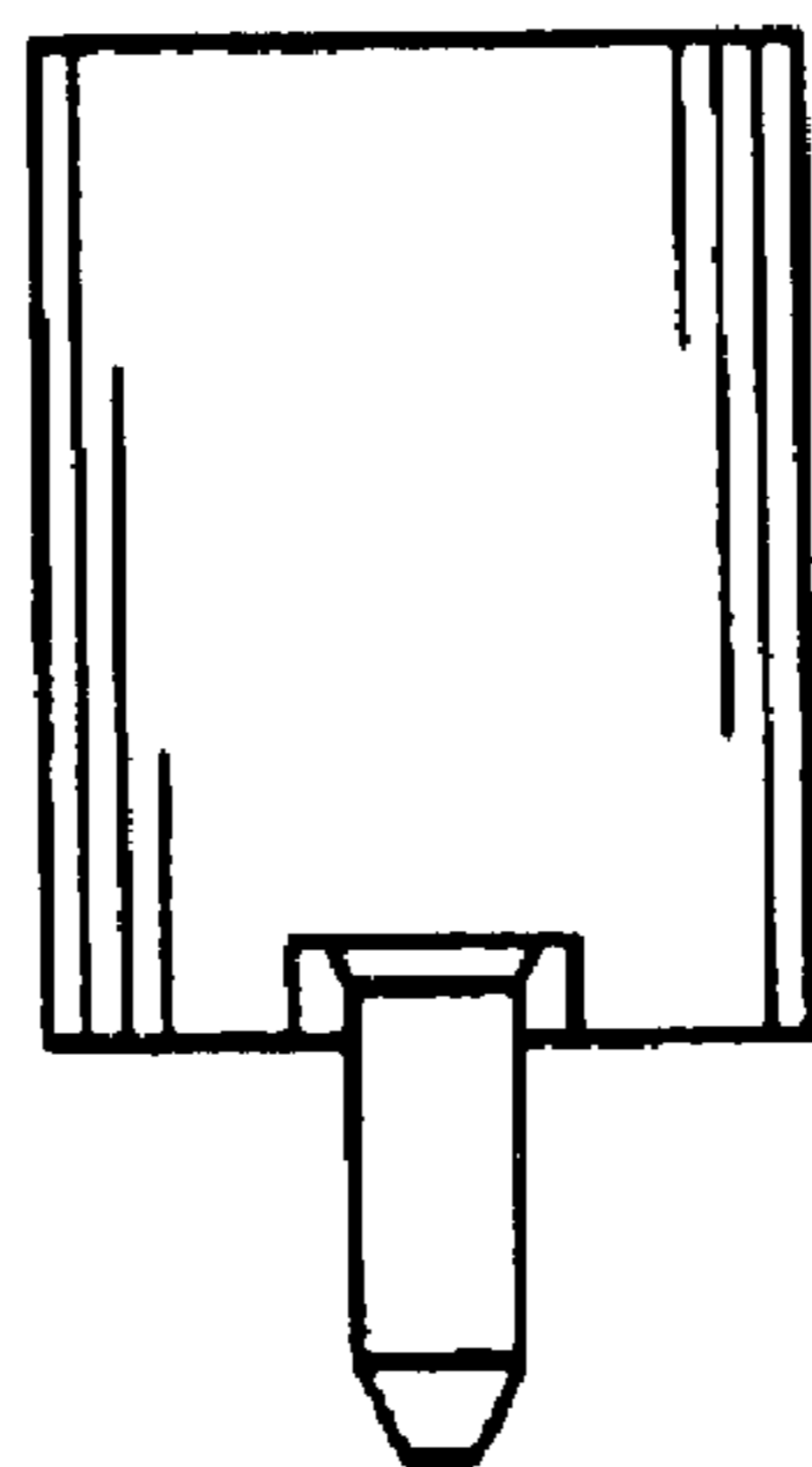


FIG. 5

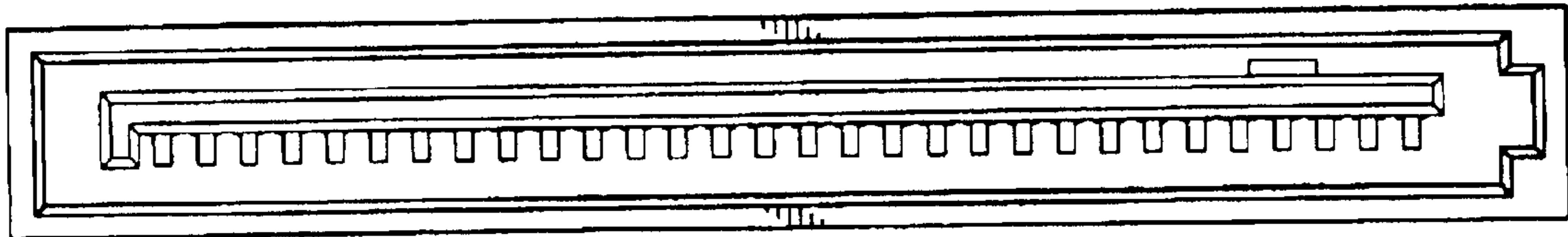


FIG. 6

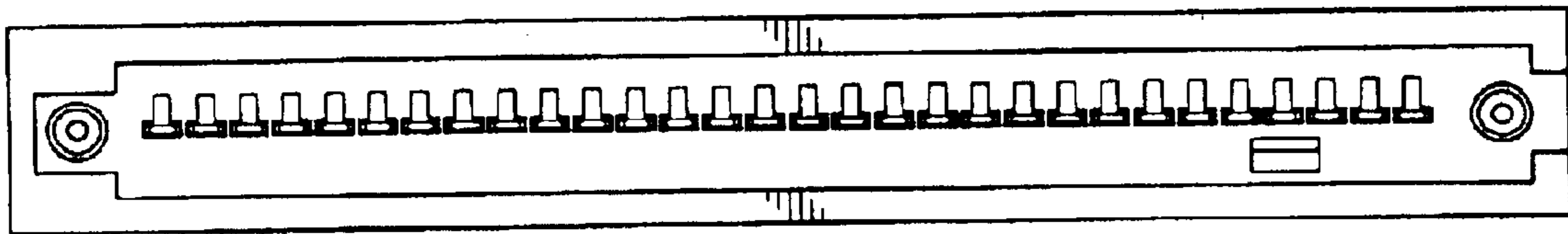


FIG. 7