

US00D499373S

(12) **United States Design Patent**
Oas

(10) **Patent No.:** **US D499,373 S**

(45) **Date of Patent:** **** Dec. 7, 2004**

(54) **VISOR NOTEPAD HOLDER**

(75) **Inventor:** **Daniel Oas, Irwindale, CA (US)**

(73) **Assignee:** **Calibre International LLC, Irwindale, CA (US)**

(**) **Term:** **14 Years**

(21) **Appl. No.:** **29/201,204**

(22) **Filed:** **Mar. 10, 2004**

(51) **LOC (7) Cl.** **12-16**

(52) **U.S. Cl.** **D12/417; D19/86; D12/425**

(58) **Field of Search** **D12/191, 417, D12/425; D19/35, 36, 65, 75, 78, 86, 91, 92, 95, 99, 100, 22; 281/45; 296/97.5; 224/312; 248/231.81**

(56) **References Cited**

U.S. PATENT DOCUMENTS

2,211,879	A	*	8/1940	Cave	281/45
2,278,011	A	*	3/1942	Murdock	296/97.5
D159,954	S	*	9/1950	Catanese	D12/191
2,598,029	A	*	5/1952	Baldwin	224/312
D184,183	S	*	12/1958	Lucks	D19/22
D312,355	S	*	11/1990	Korten	D12/417
D320,778	S	*	10/1991	Palett	D12/191

D325,554	S	*	4/1992	Min-Jenn	D12/417
D357,941	S	*	5/1995	Davis	D19/92
D384,699	S	*	10/1997	Greene	D19/91
D408,350	S	*	4/1999	Ball et al.	D12/425
D454,156	S	*	3/2002	Man	D19/36
D486,524	S	*	2/2004	Ivey	D19/86

* cited by examiner

Primary Examiner—Martie K. Holtje

(74) *Attorney, Agent, or Firm*—Brian Carpenter

(57) **CLAIM**

The ornamental design for a visor notepad holder, as shown and described.

DESCRIPTION

FIG. 1 is a perspective view of a visor notepad holder showing my new design;

FIG. 2 is a front elevational view thereof;

FIG. 3 is a rear elevational view thereof;

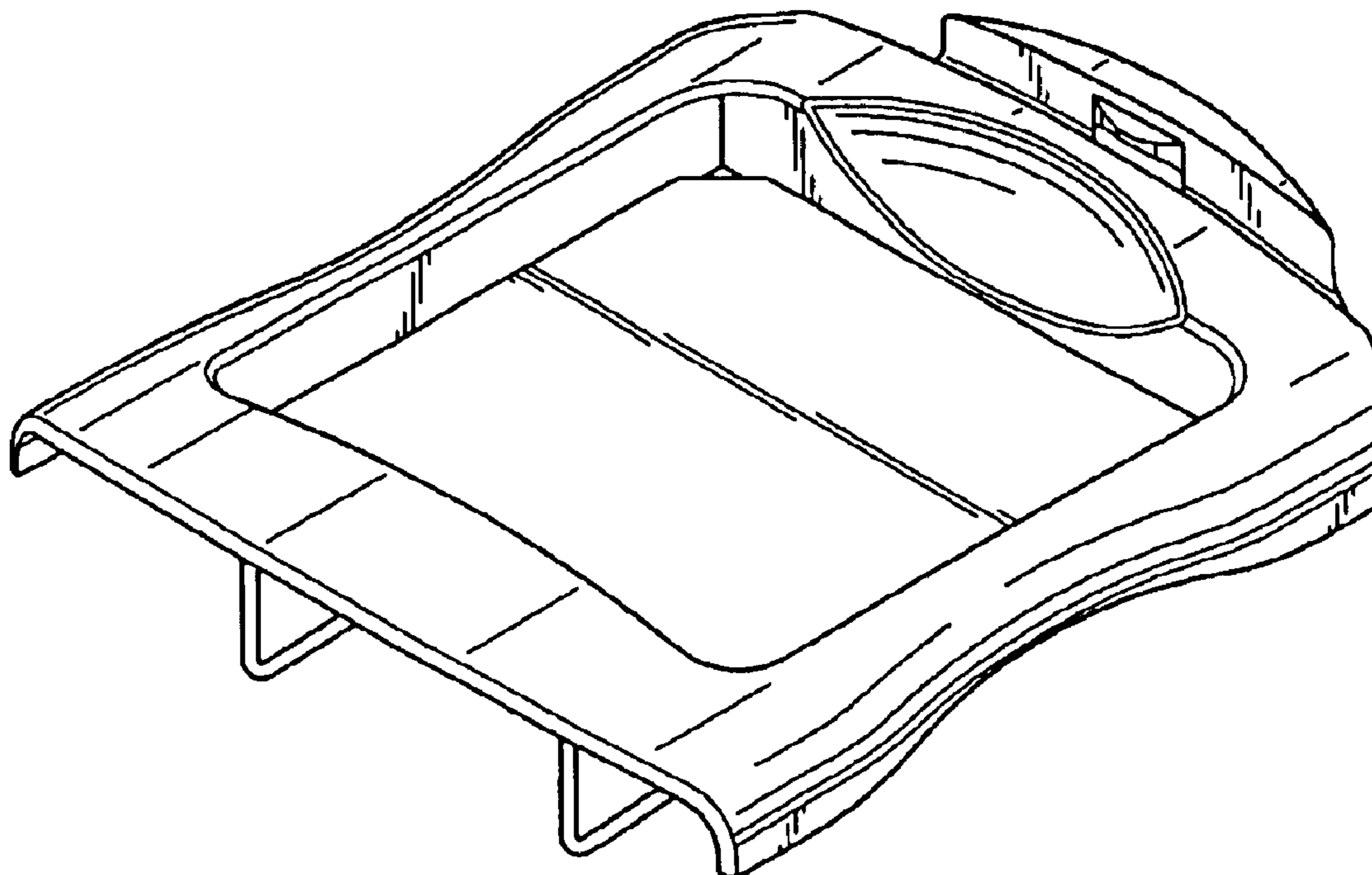
FIG. 4 is a left side elevational view thereof, the right side being a mirror image thereof;

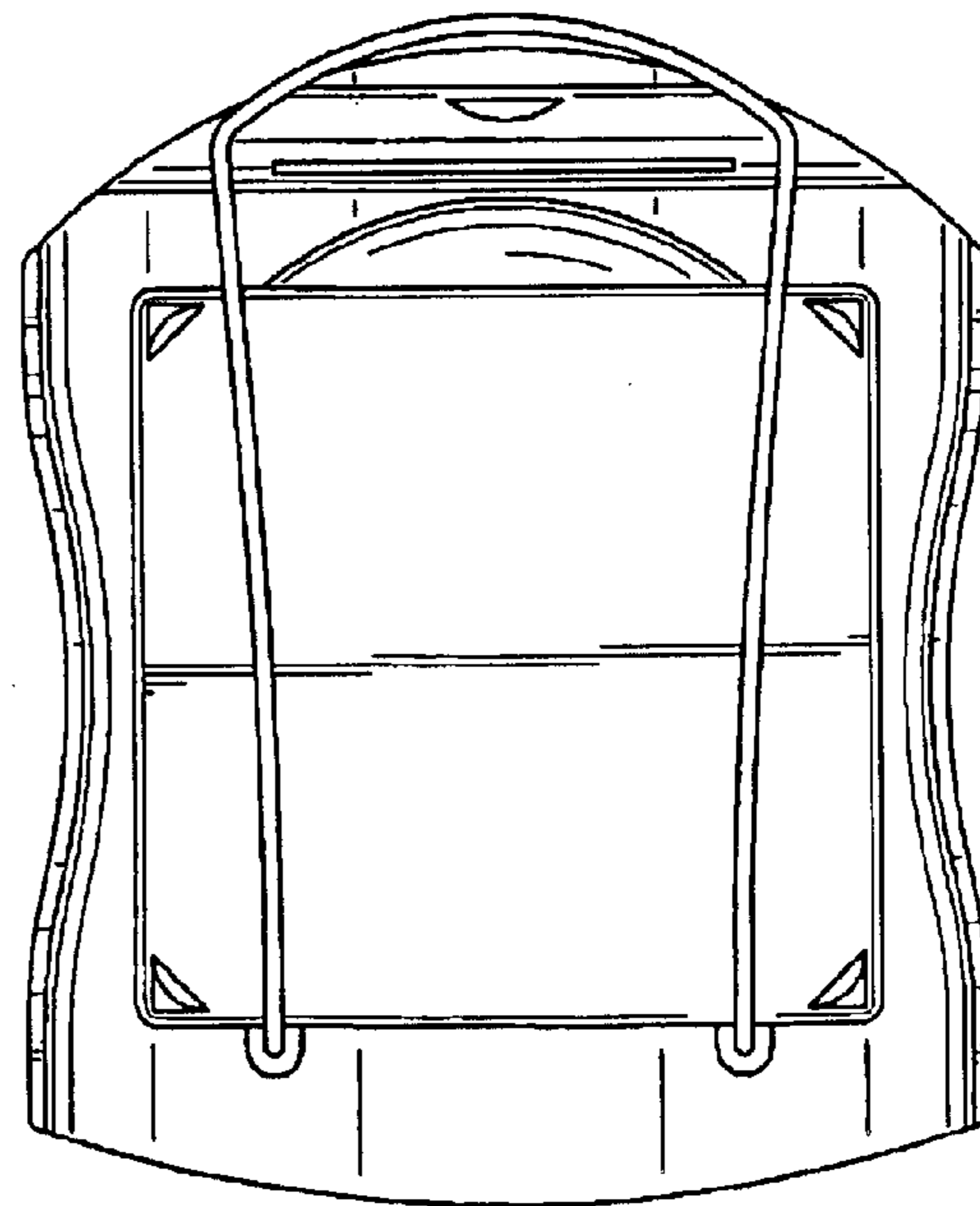
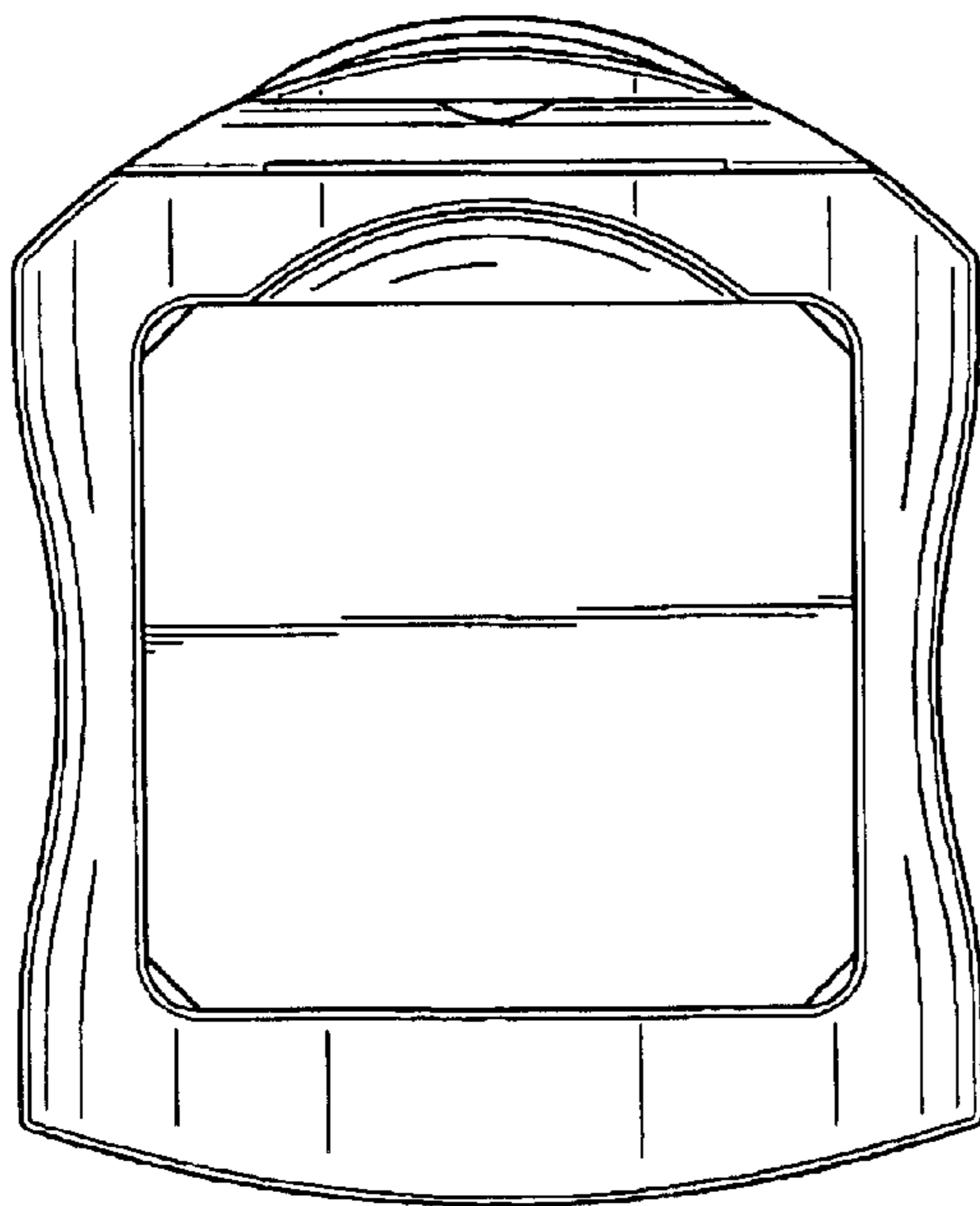
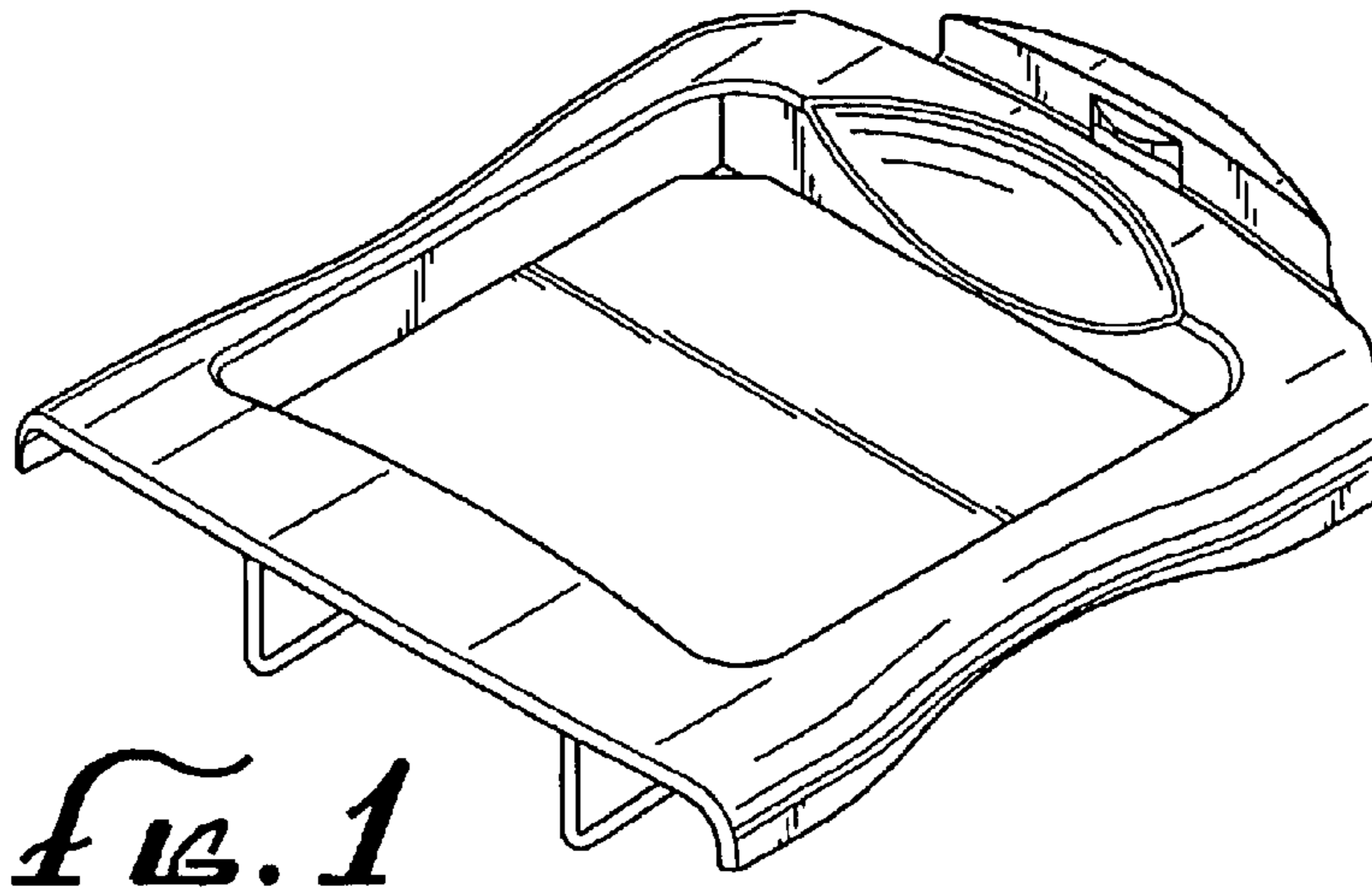
FIG. 5 is a bottom plan view thereof; and,

FIG. 6 is a top plan view thereof.

The right side elevational view, not shown, is a mirror image of the left side elevational view of FIG. 4.

1 Claim, 2 Drawing Sheets





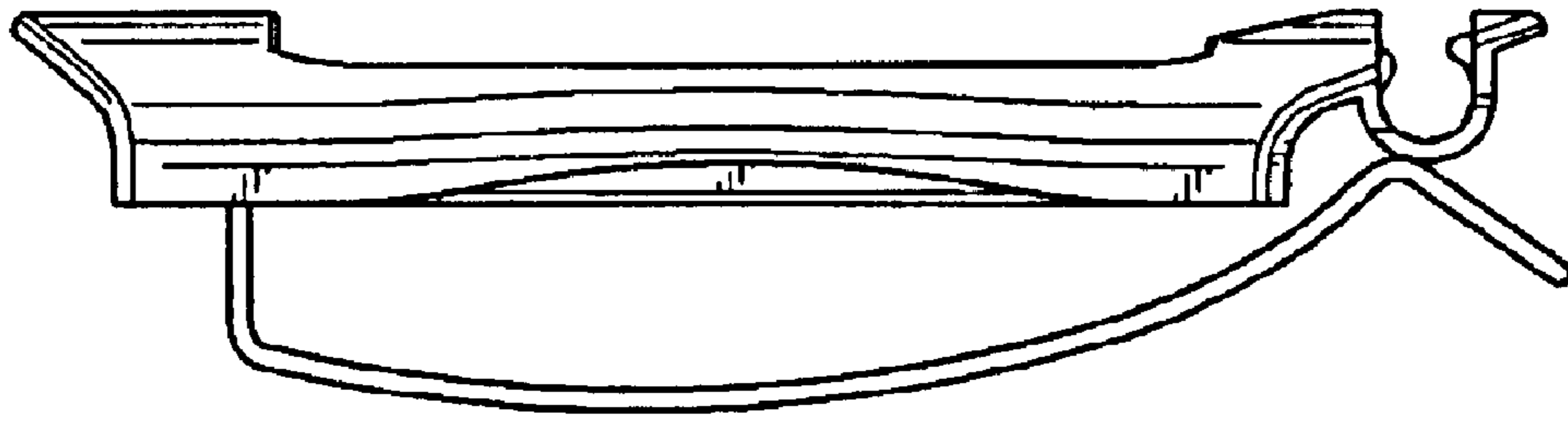


FIG. 4

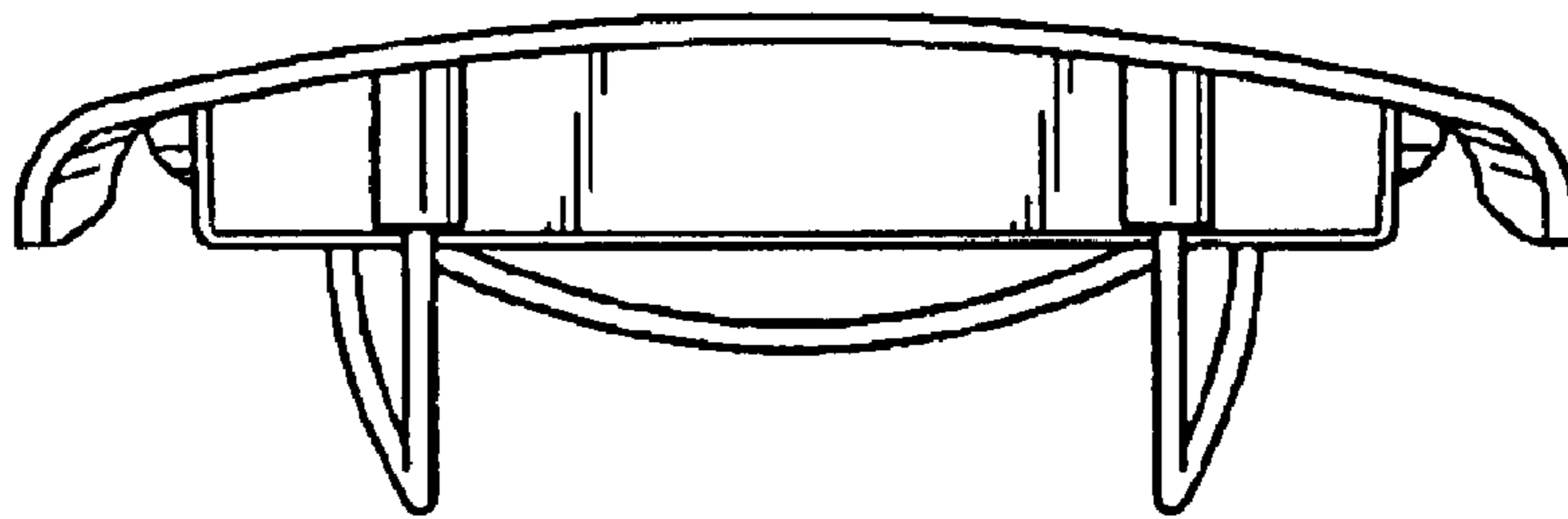


FIG. 5

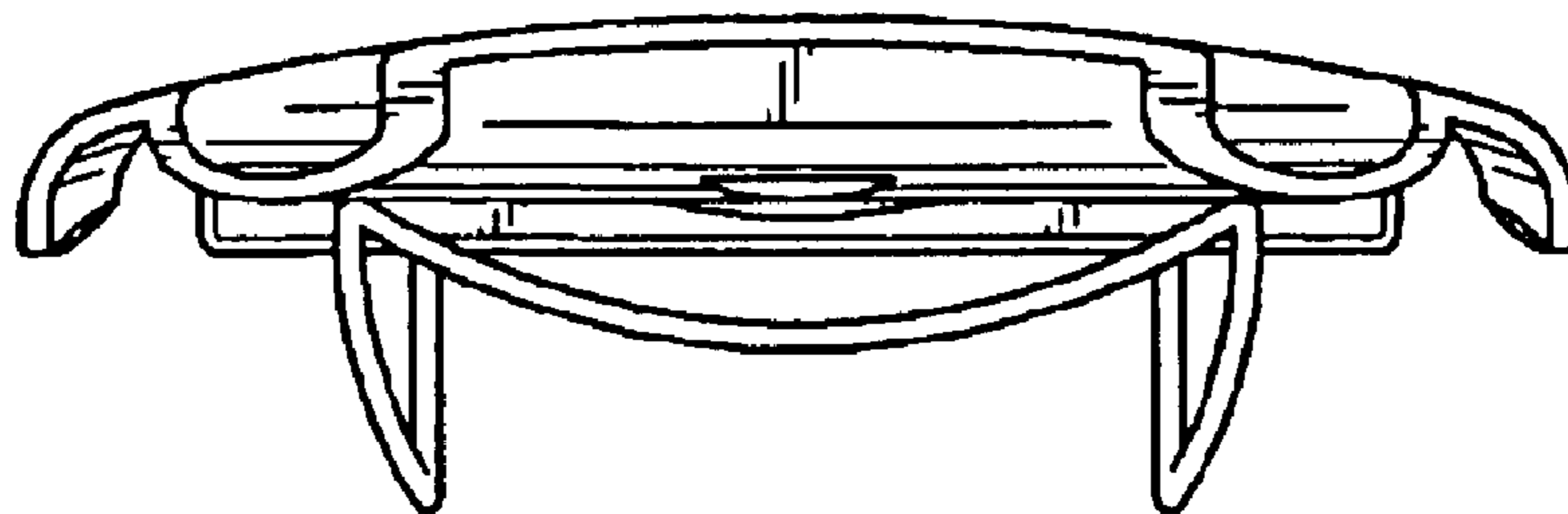


FIG. 6