



US00D499360S

(12) **United States Design Patent**
Blankenship

(10) **Patent No.:** **US D499,360 S**

(45) **Date of Patent:** **** Dec. 7, 2004**

(54) **BICYCLE**

(75) Inventor: **Frank Blankenship**, Downingtown, PA (US)

(73) Assignee: **Pacific Cycle, LLC**, Madison, WI (US)

(**) Term: **14 Years**

(21) Appl. No.: **29/187,613**

(22) Filed: **Aug. 4, 2003**

(51) **LOC (7) Cl.** **12-11**

(52) **U.S. Cl.** **D12/111**

(58) **Field of Search** **D12/110, 111;**
280/274-288, 288.1-288.3, 281.1; 180/219,
220

(56) **References Cited**

U.S. PATENT DOCUMENTS

D299,220 S	*	1/1989	Trusky	D12/111
D301,437 S	*	6/1989	Bleustein et al.	D12/111
D392,603 S	*	3/1998	Quick	D12/111
D449,808 S		10/2001	Soto		

* cited by examiner

Primary Examiner—Alan P. Douglas

Assistant Examiner—Linda Brooks

(74) *Attorney, Agent, or Firm*—Brian G. Gilpin; Godfrey & Kahn, S.C.

(57) **CLAIM**

The ornamental design for a bicycle, as shown and described.

DESCRIPTION

FIG. 1 is a perspective view of a bicycle showing my new design;

FIG. 2 is a top view of the bicycle of FIG. 1, shown without the pedals;

FIG. 3 is a bottom view of the bicycle of FIG. 1, shown without the pedals;

FIG. 4 is a right side view of the bicycle of FIG. 1, shown without the pedals;

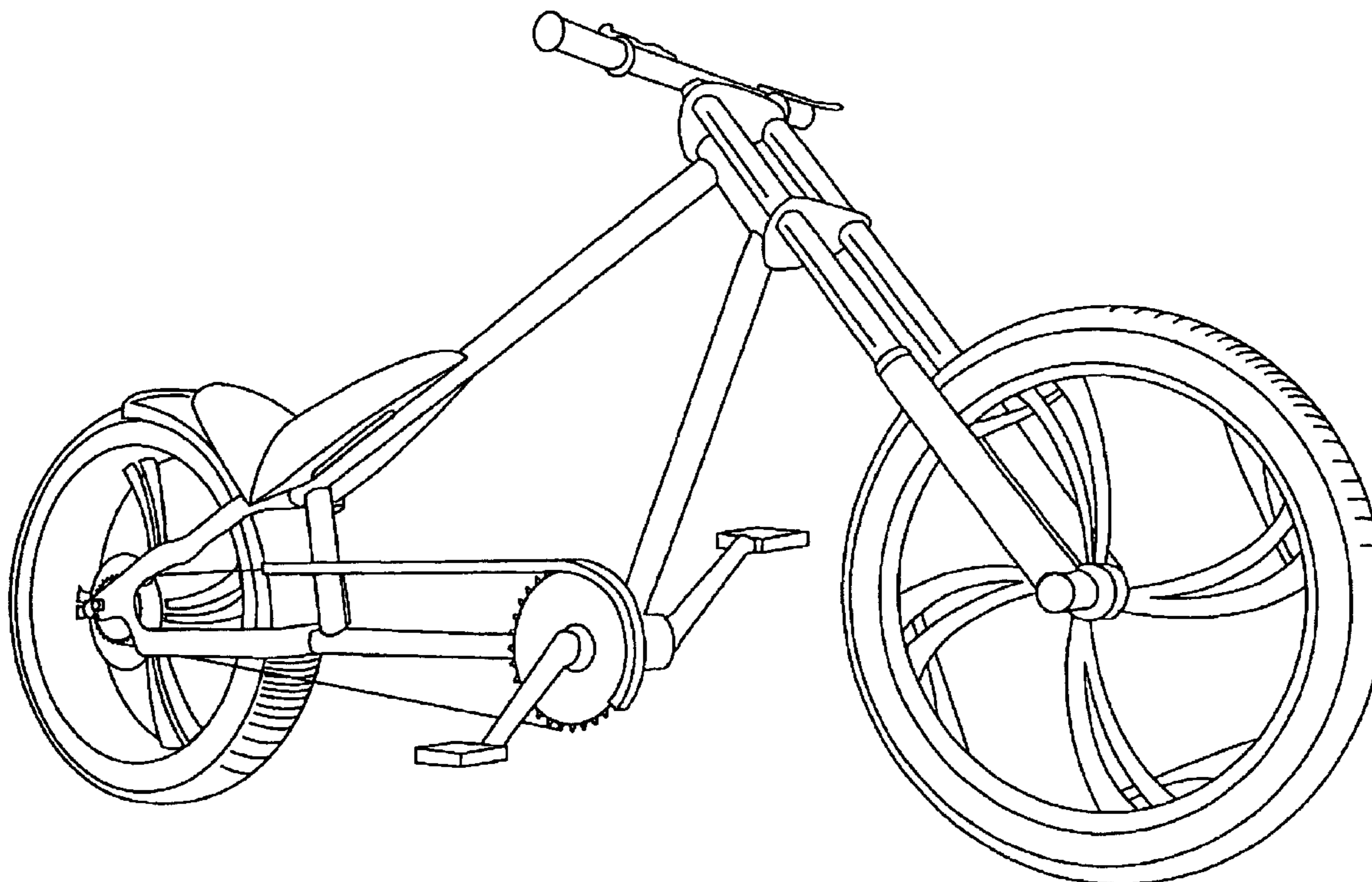
FIG. 5 is a left side view of the bicycle of FIG. 1, shown without the pedals;

FIG. 6 is a front view of the bicycle of FIG. 1, shown without the pedals; and,

FIG. 7 is an enlarged rear view of the bicycle of FIG. 1, shown without the pedals.

The pedals are not shown in FIGS. 4-7 for clarity of illustration.

1 Claim, 7 Drawing Sheets



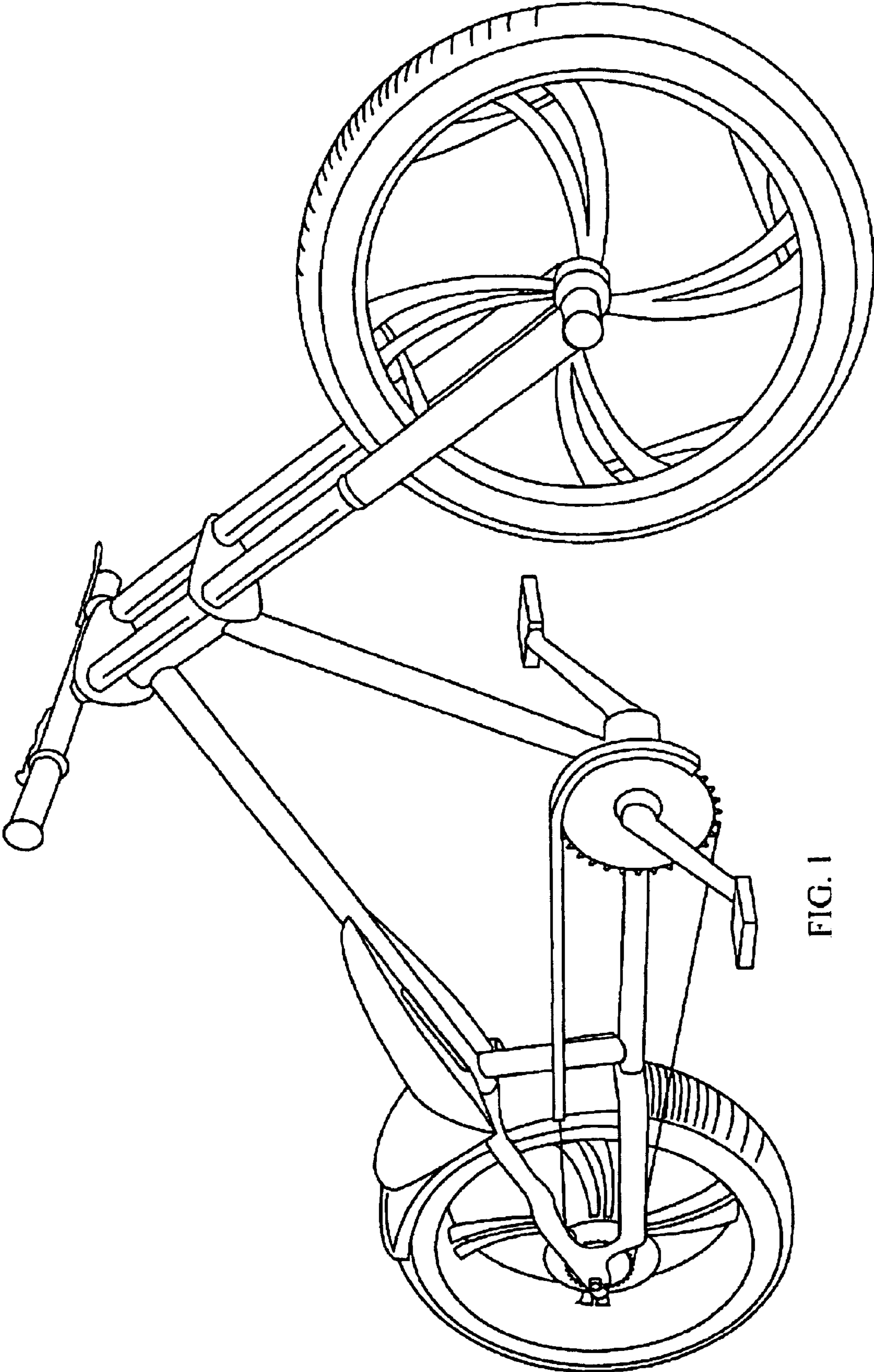


FIG. 1

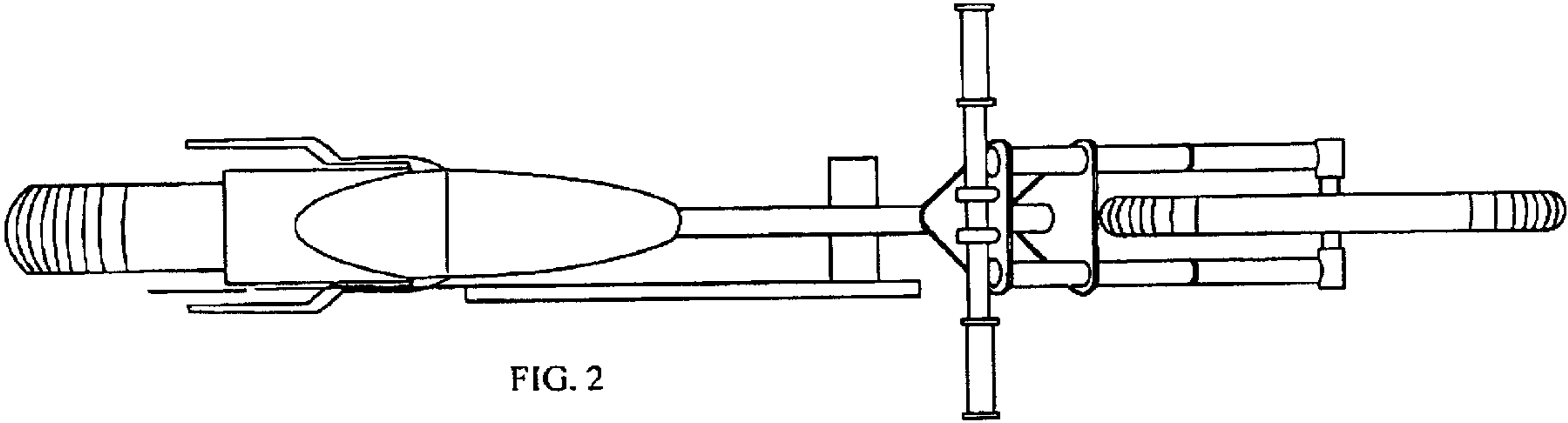


FIG. 2

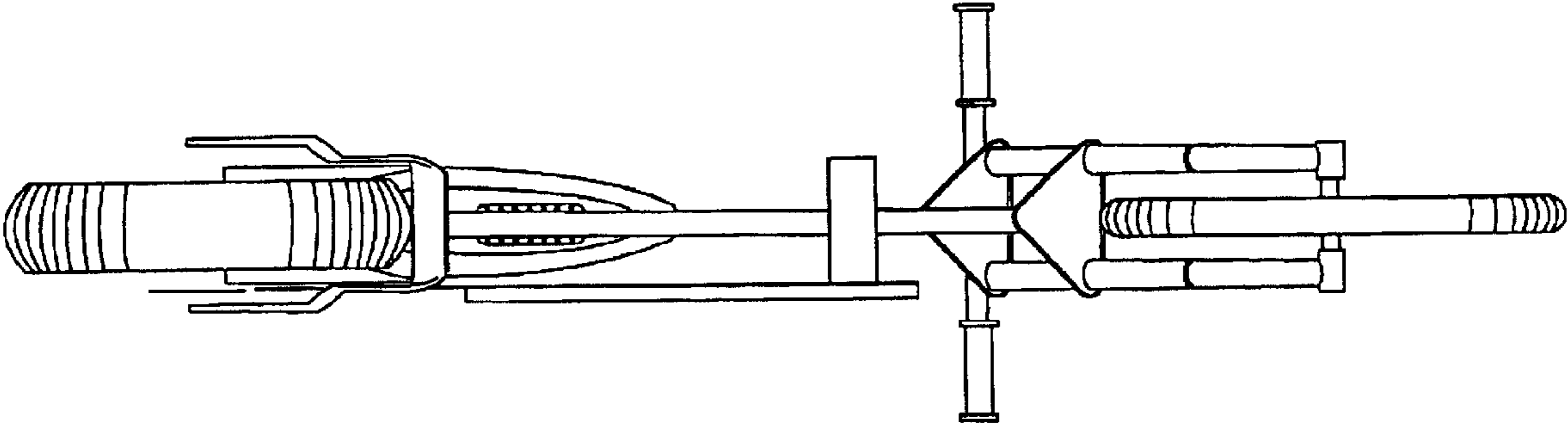


FIG. 3

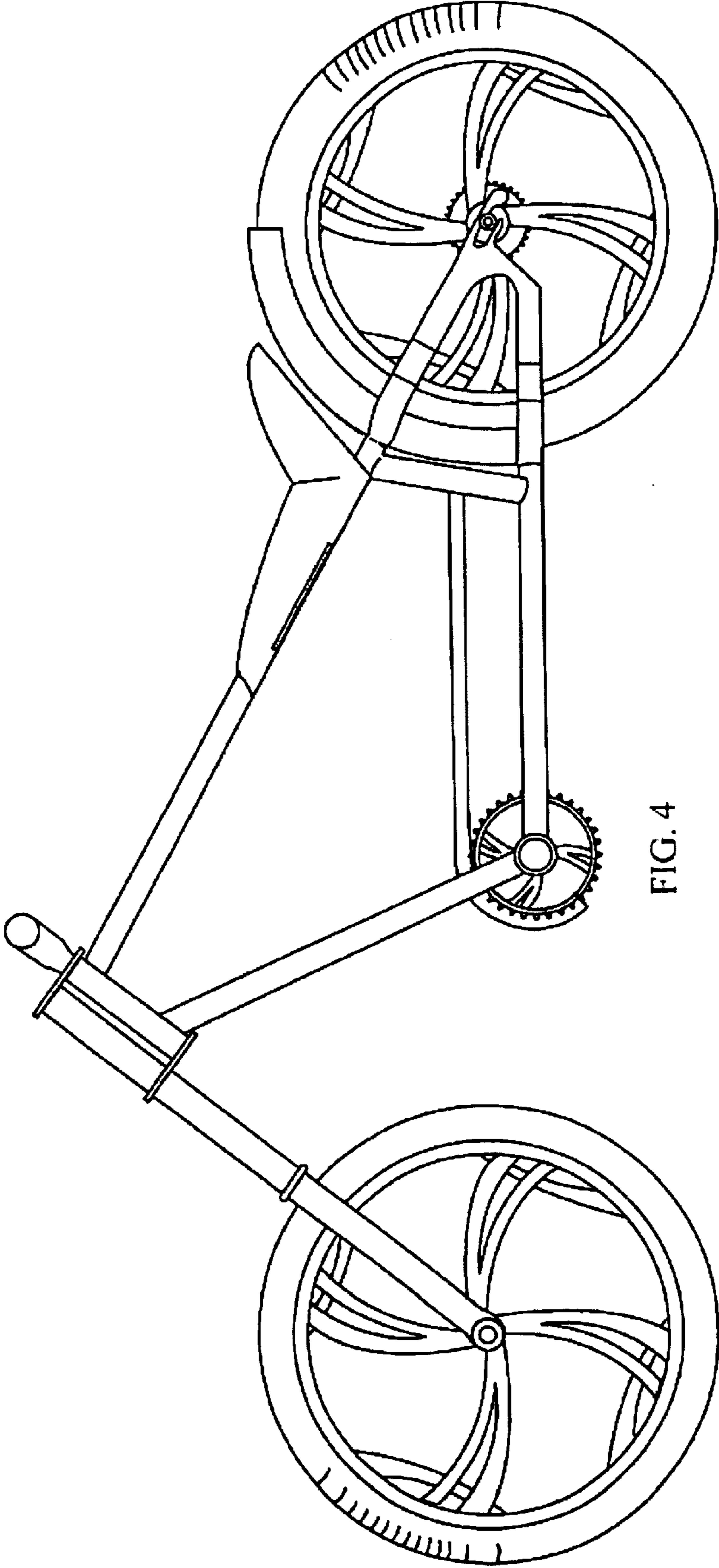


FIG. 4

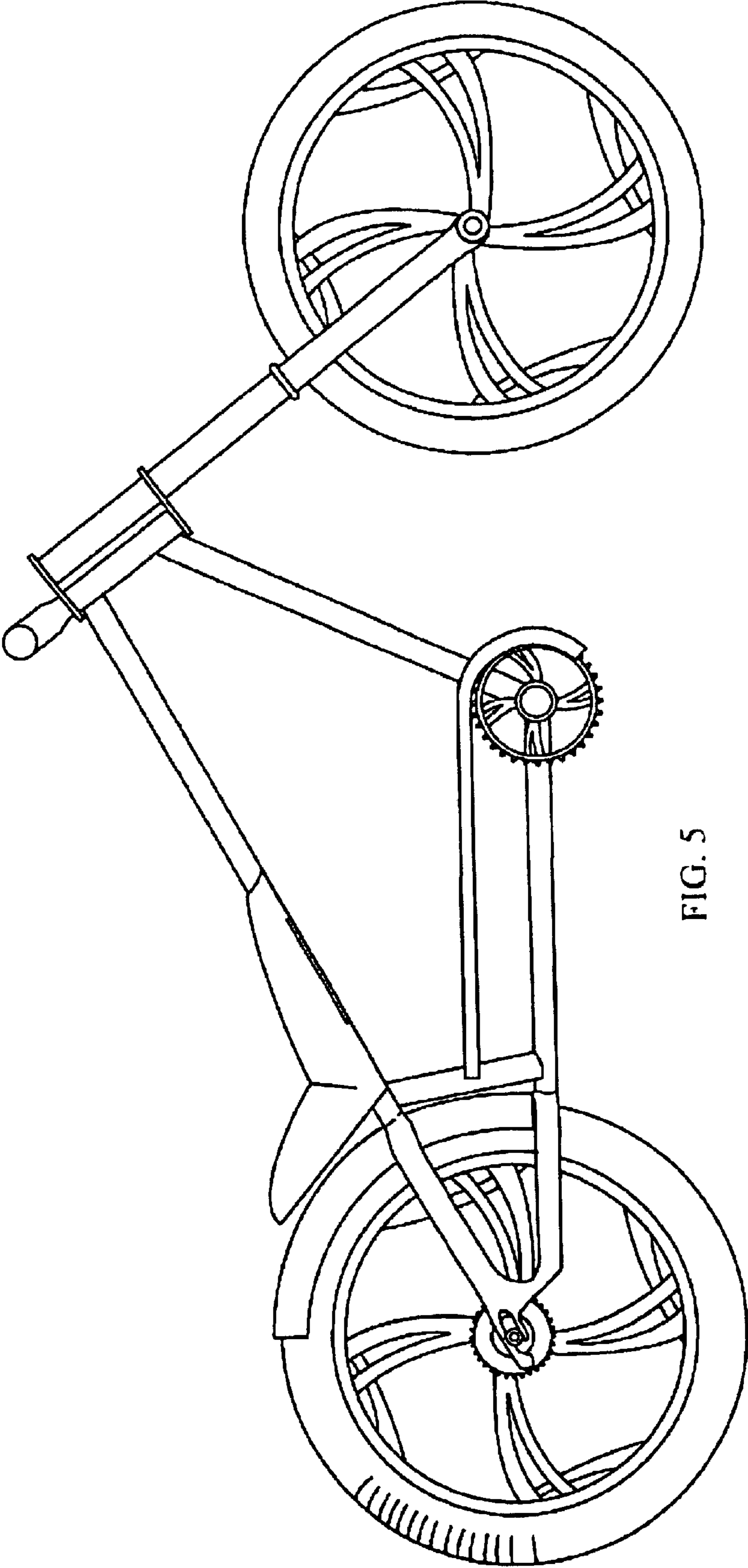


FIG. 5

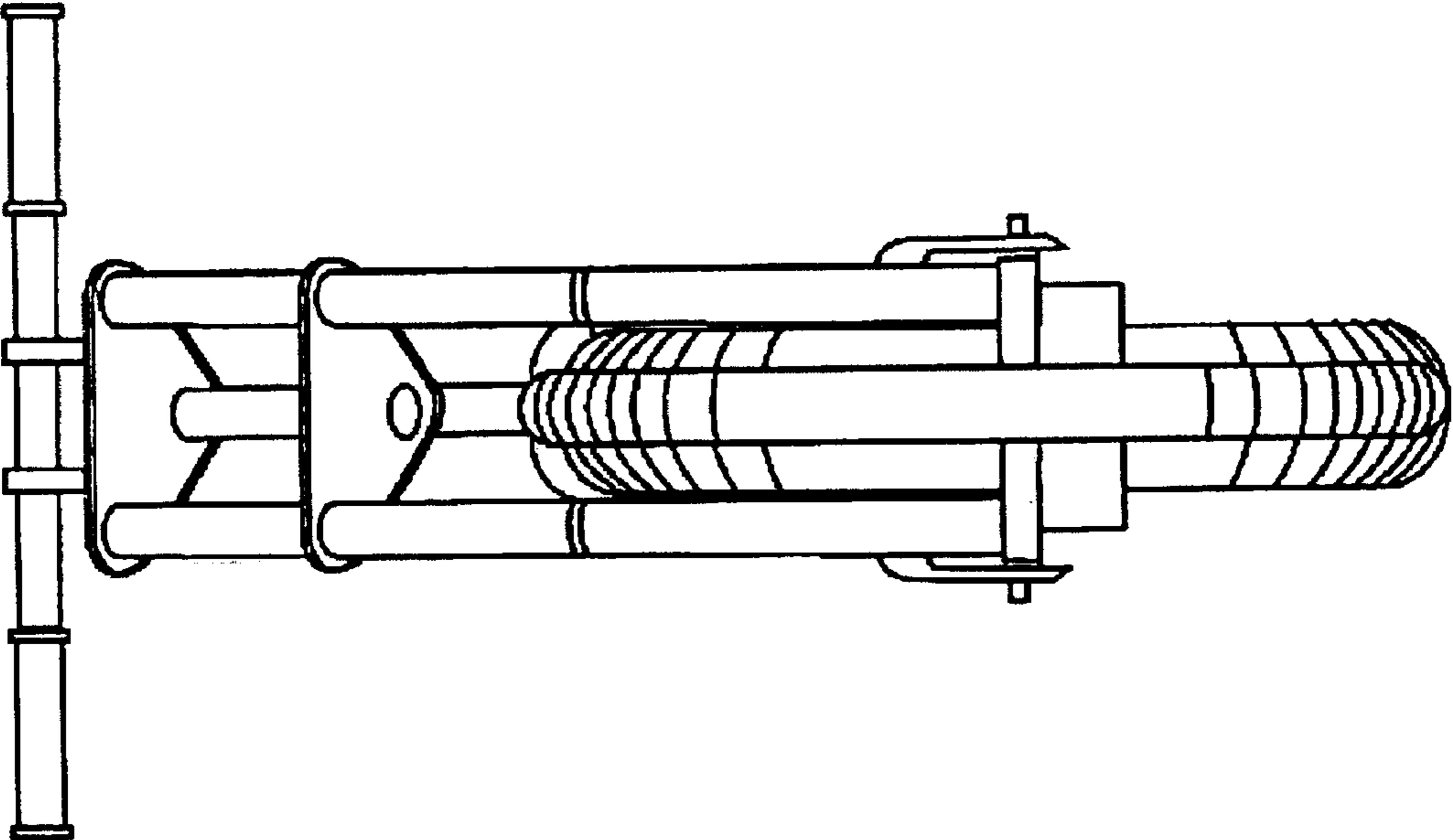


FIG. 6

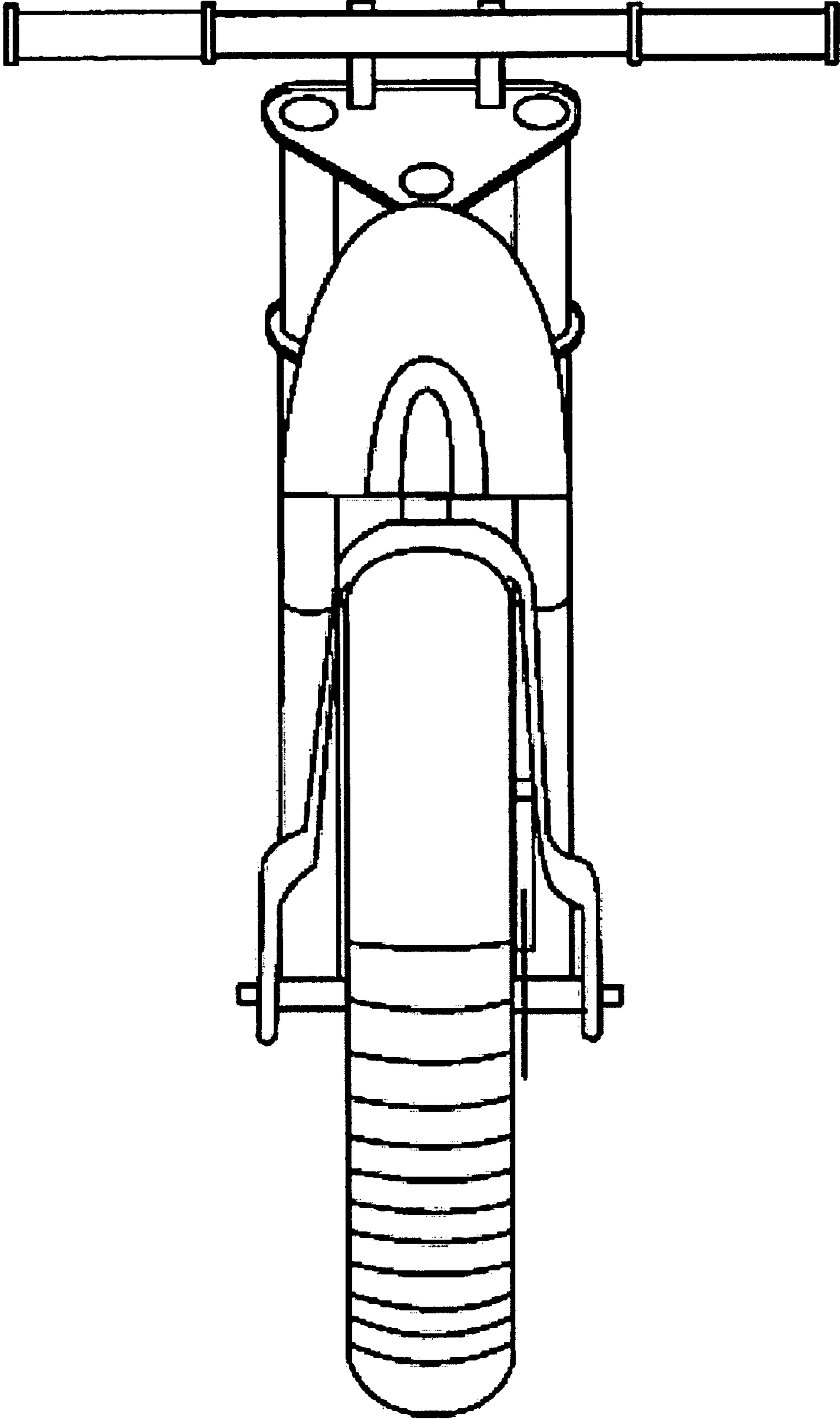


FIG. 7