

US00D499359S

(12) **United States Design Patent**  
**Tsukahara et al.**

(10) **Patent No.:** **US D499,359 S**  
(45) **Date of Patent:** **\*\* Dec. 7, 2004**

(54) **AUTOMOBILE**

(75) Inventors: **Hijiri Tsukahara**, Shizuoka-ken (JP);  
**Kazuto Subashiri**, Shizuoka-ken (JP)

(73) Assignee: **Suzuki Motor Corporation**,  
Shizuoka-ken (JP)

(\*\*) Term: **14 Years**

(21) Appl. No.: **29/195,313**

(22) Filed: **Dec. 10, 2003**

(30) **Foreign Application Priority Data**

Jun. 10, 2003 (JP) ..... 2003-016366

(51) **LOC (7) Cl.** ..... **12-08**

(52) **U.S. Cl.** ..... **D12/92**

(58) **Field of Search** ..... D12/90-92, 86,  
D12/88; D21/424, 433, 548, 549; 296/185,  
186

(56) **References Cited**

**U.S. PATENT DOCUMENTS**

- D396,665 S \* 8/1998 Cho ..... D12/92
- D421,934 S \* 3/2000 Hunter et al. .... D12/92
- D458,874 S \* 6/2002 Sakae et al. .... D12/92
- D459,683 S \* 7/2002 Sakae et al. .... D12/92
- D473,166 S \* 4/2003 Hirai et al. .... D12/92

- D473,824 S \* 4/2003 Mori ..... D12/92
- D488,100 S \* 4/2004 Wakao et al. .... D12/92
- D488,101 S \* 4/2004 Wakao et al. .... D12/92
- D490,021 S \* 5/2004 Saito et al. .... D12/92

**FOREIGN PATENT DOCUMENTS**

JP D1145427 7/2002

\* cited by examiner

*Primary Examiner*—Melody N. Brown

(74) *Attorney, Agent, or Firm*—Nixon & Vanderhye, P.C.

(57) **CLAIM**

The ornamental design for an automobile, as shown and described.

**DESCRIPTION**

FIG. 1 is a front elevational view of an automobile showing our new design;

FIG. 2 is a rear elevational view thereof;

FIG. 3 is a top plan view thereof;

FIG. 4 is a bottom plan view thereof;

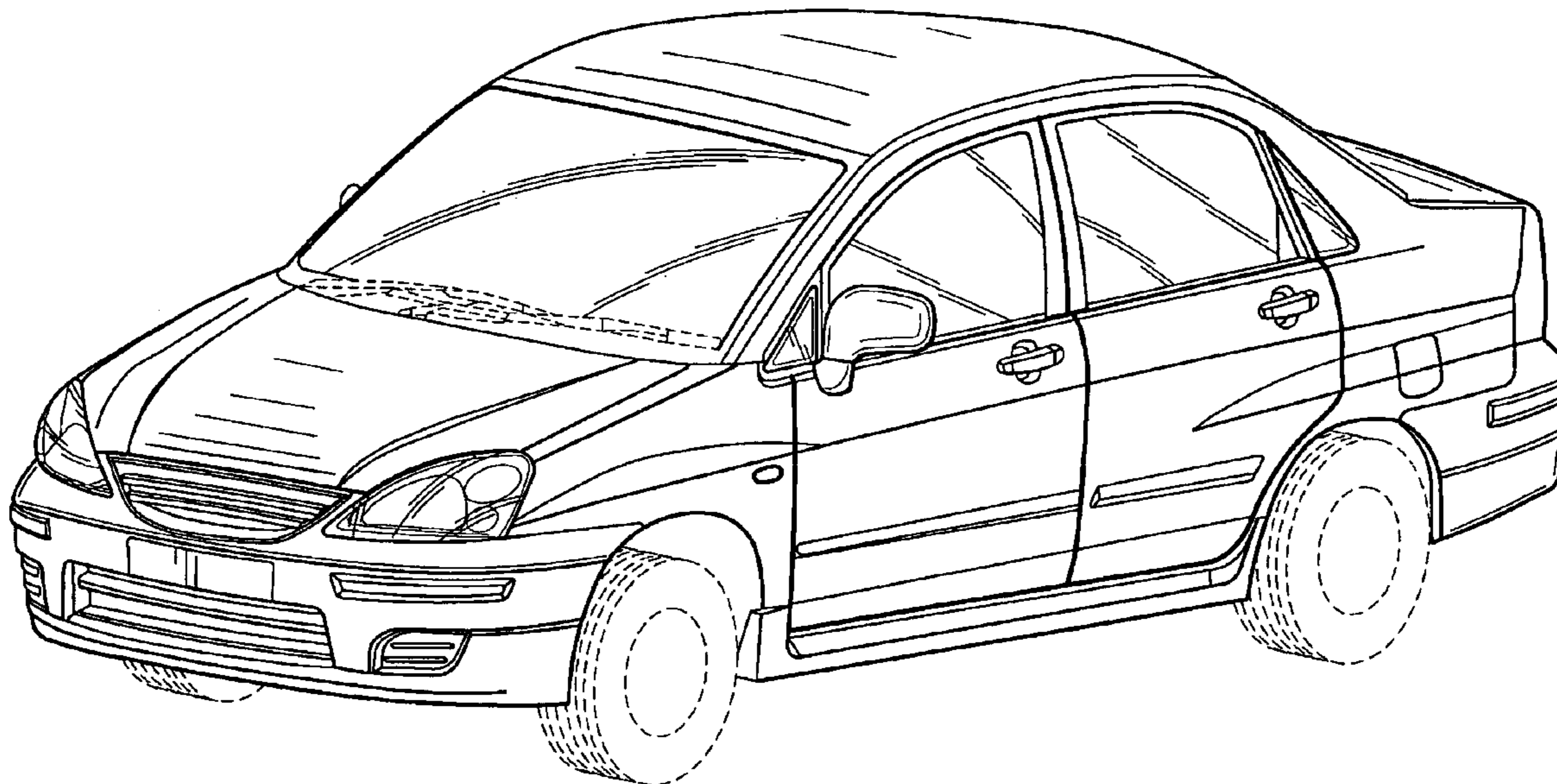
FIG. 5 is a right side elevational view thereof;

FIG. 6 is a left side elevational view thereof;

FIG. 7 is a top, front, and right side perspective view thereof; and,

FIG. 8 is a top, rear, and right side perspective view thereof.

**1 Claim, 7 Drawing Sheets**



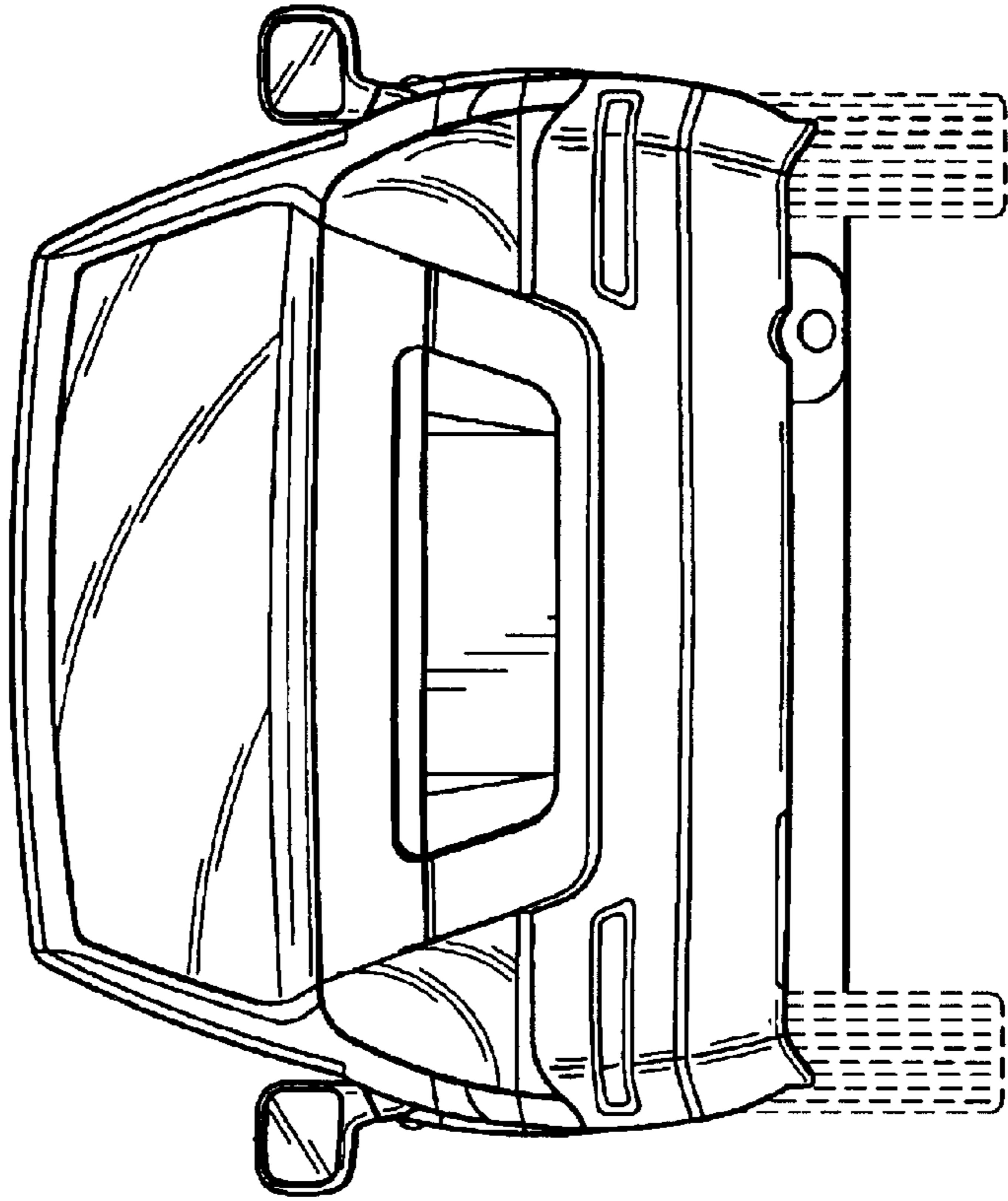


Fig. 2

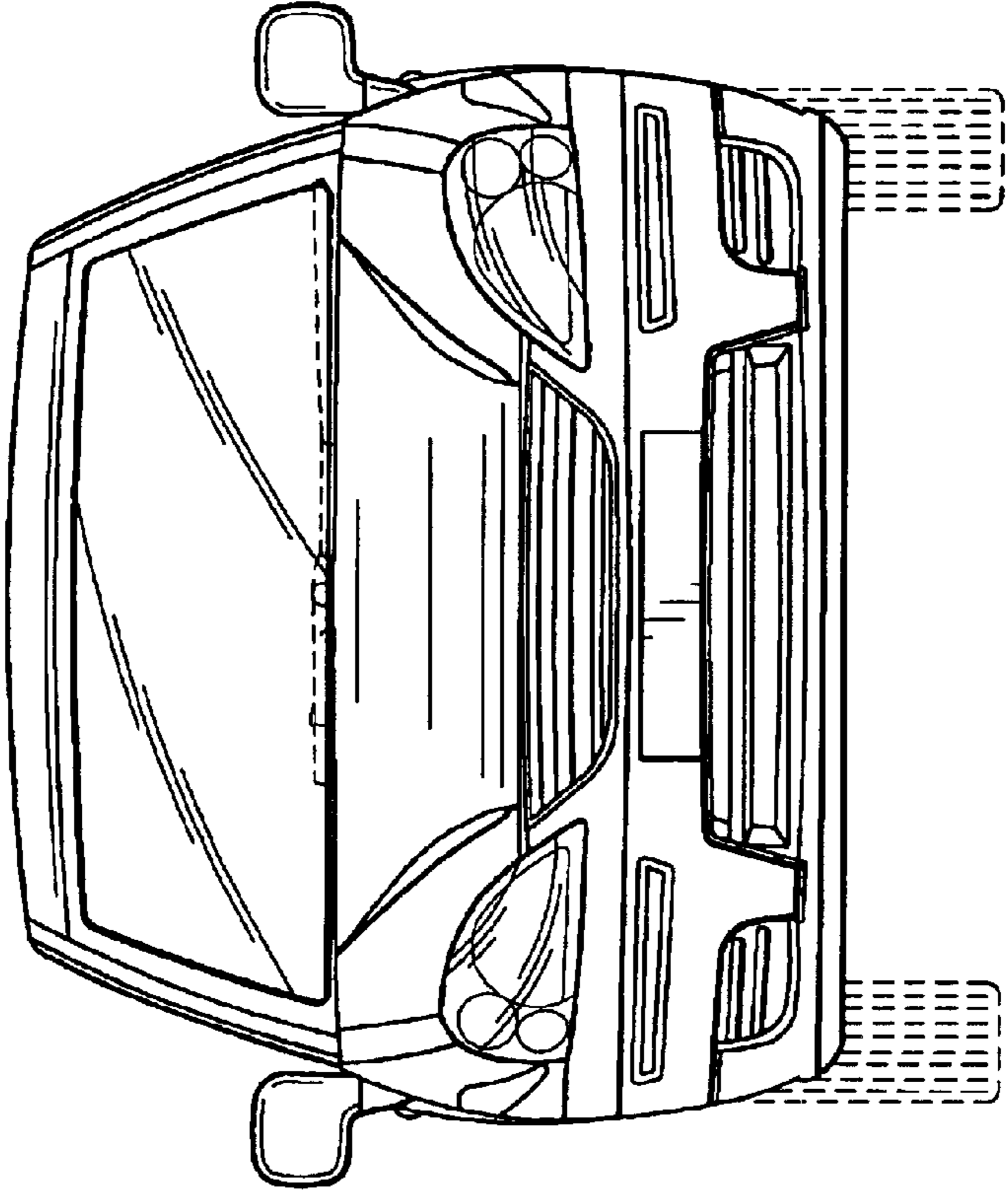


Fig. 1

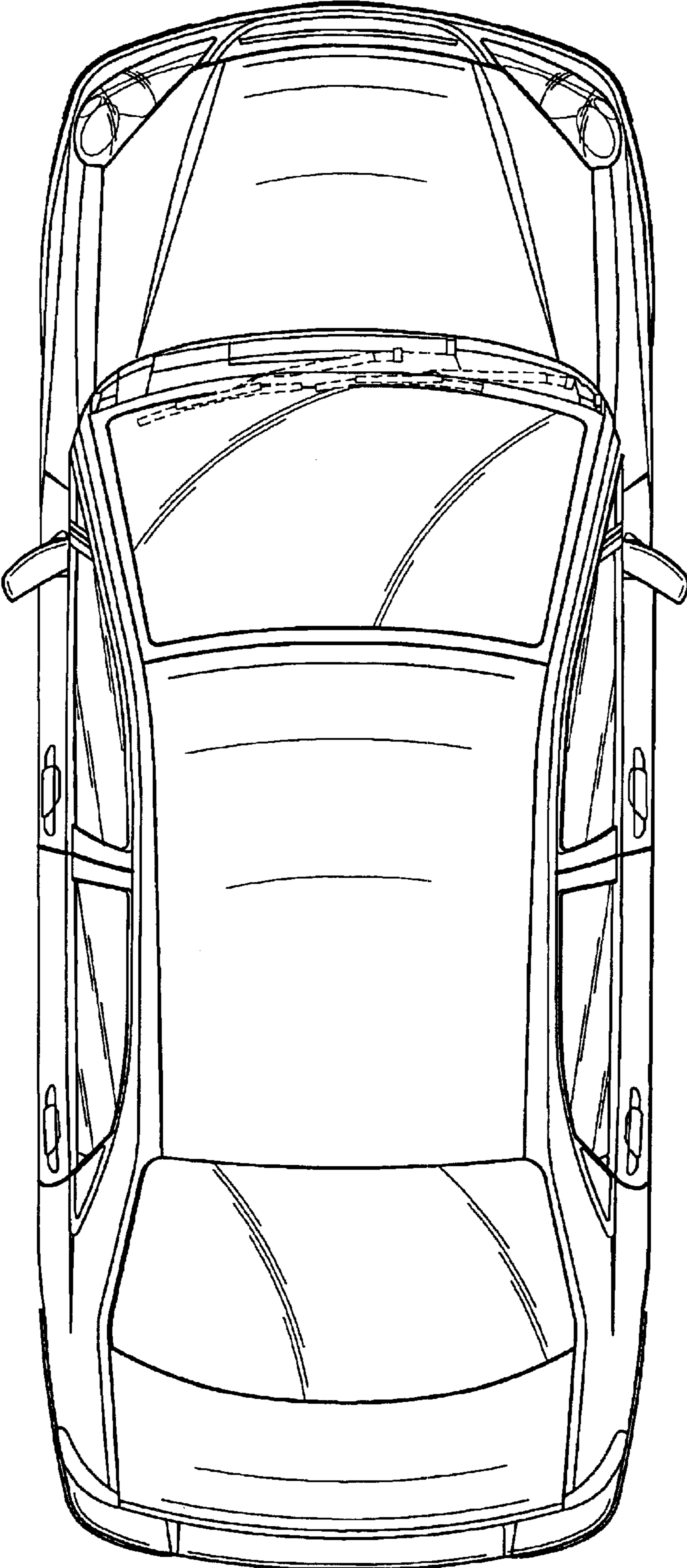


Fig. 3

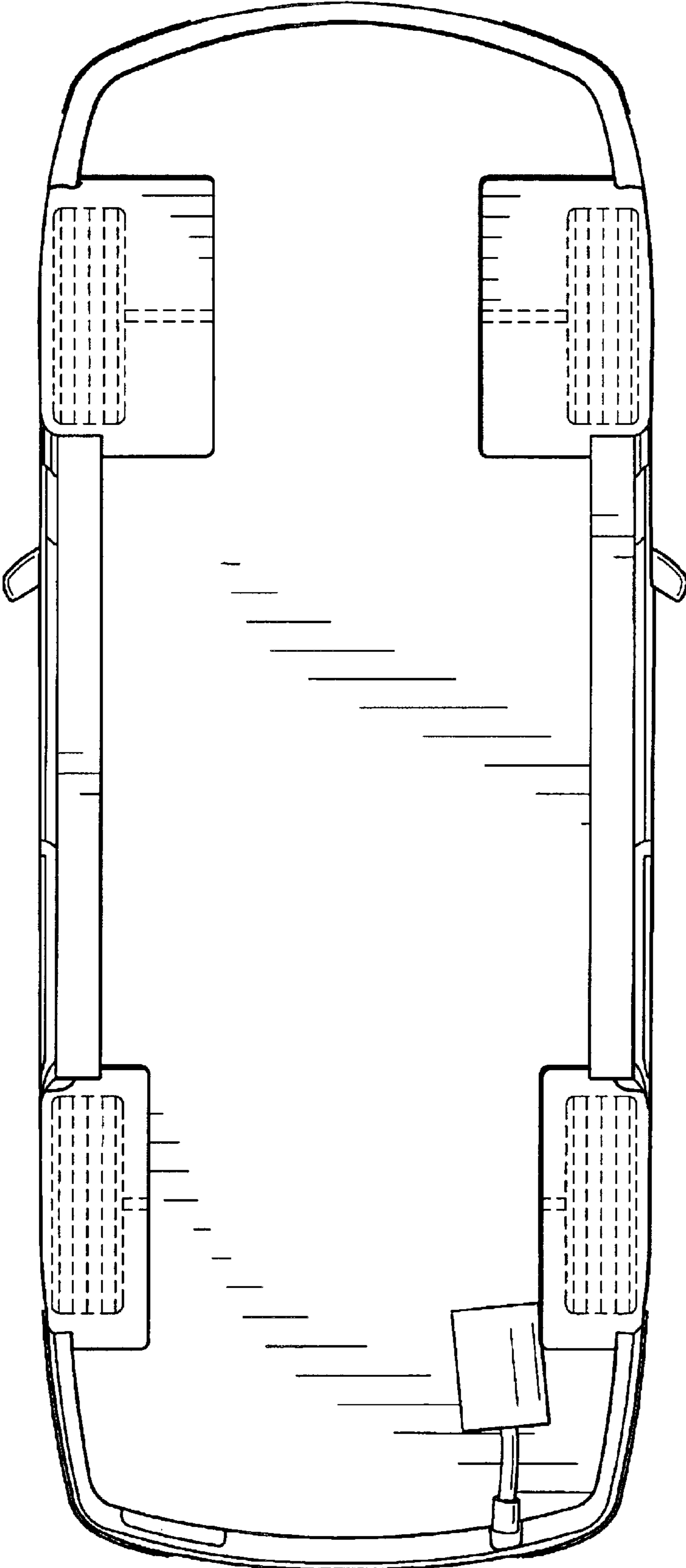


Fig. 4

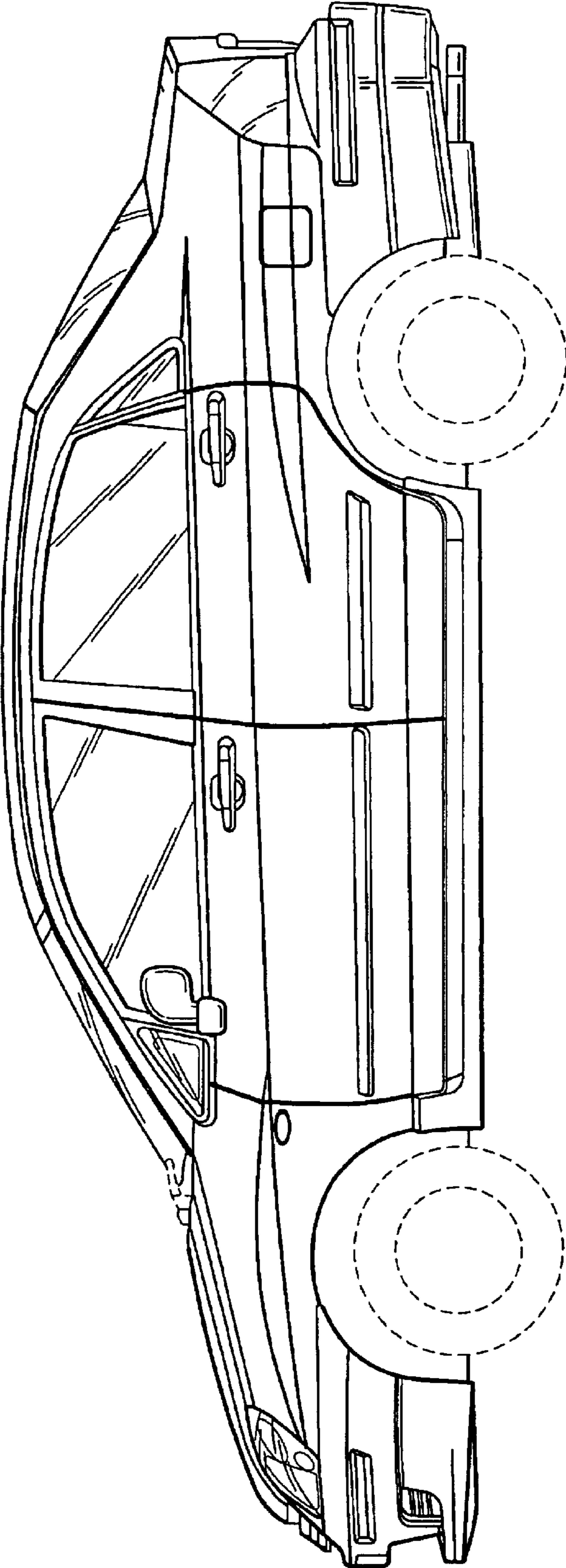


Fig. 5

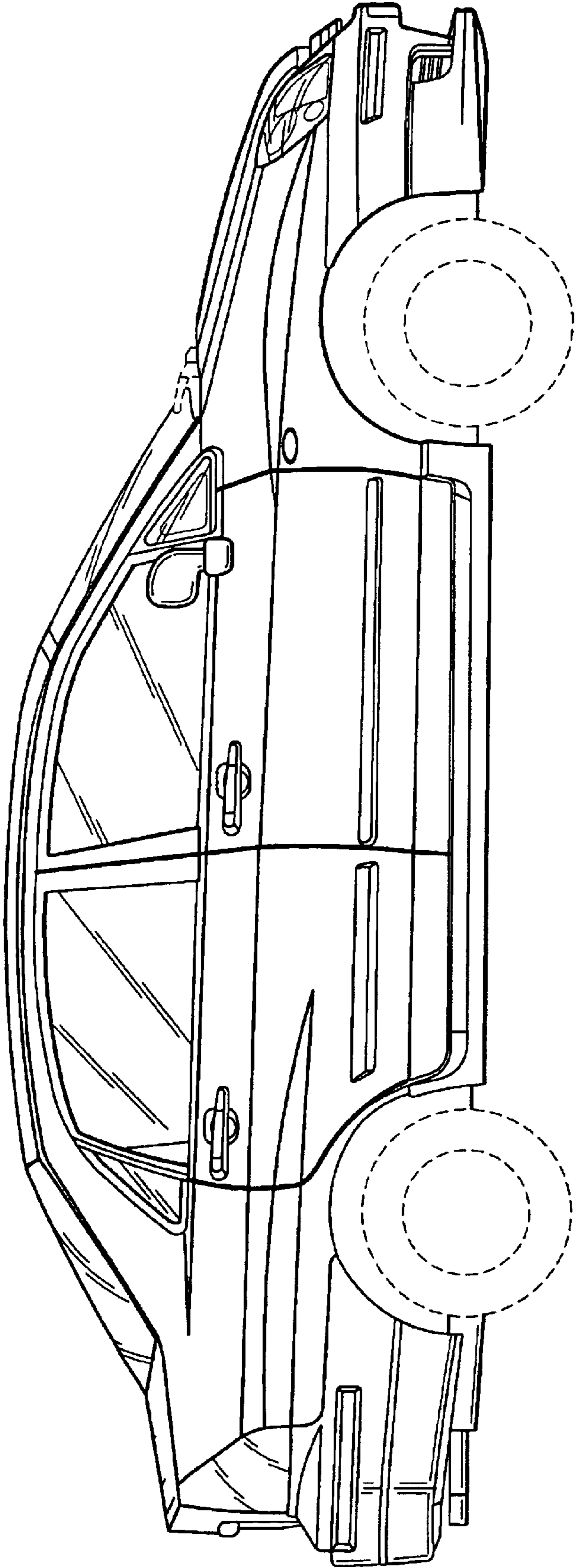


Fig. 6

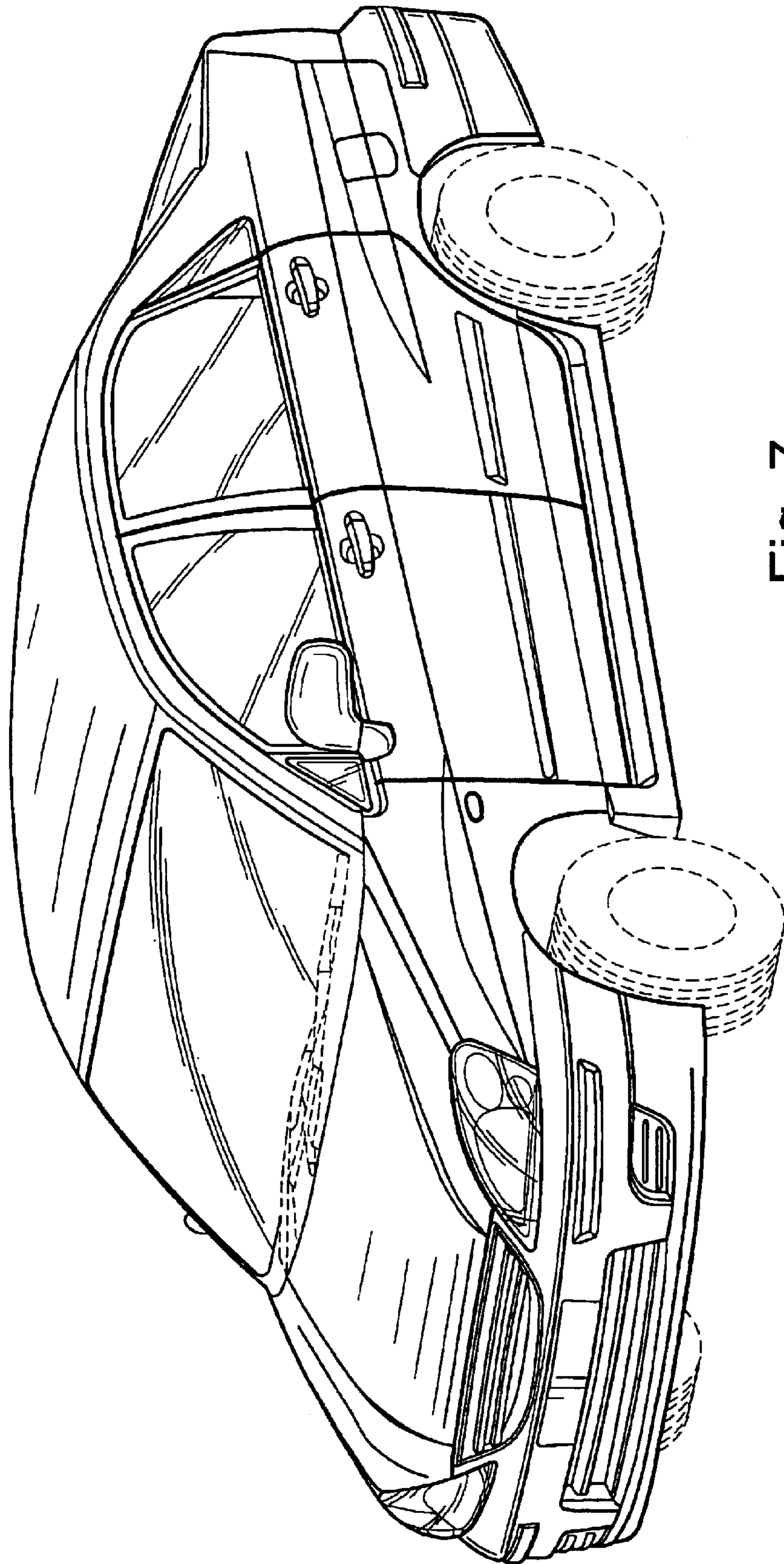


Fig. 7

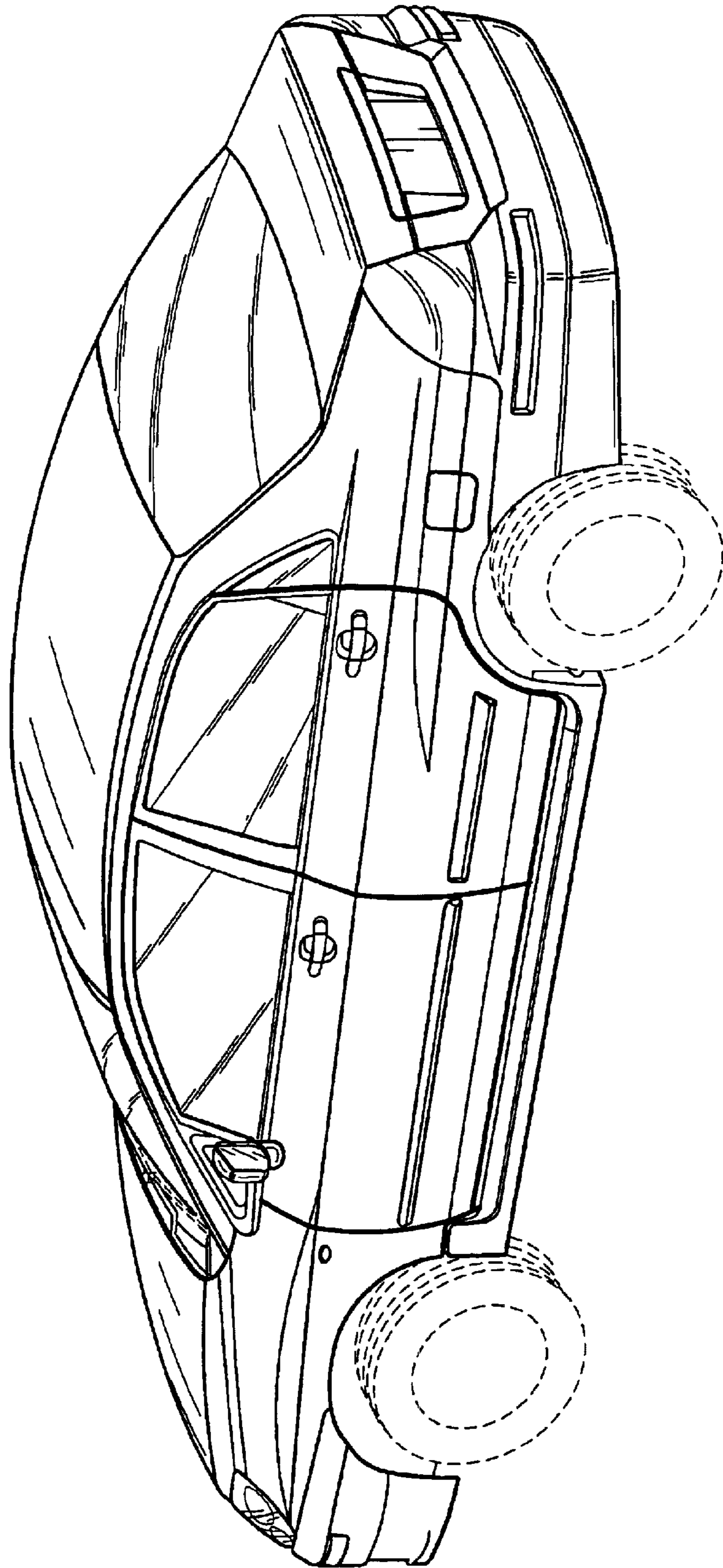


Fig.8