

US00D499354S

(12) **United States Design Patent**  
**Yang**

(10) **Patent No.:** **US D499,354 S**

(45) **Date of Patent:** **\*\* Dec. 7, 2004**

(54) **TREE WATER BALL BOTTLE**

D431,774 S \* 10/2000 Davis ..... D9/335  
D458,407 S \* 6/2002 Yu ..... D11/121  
D491,058 S \* 6/2004 Day ..... D9/335

(75) **Inventor:** **Shin-Ya Yang, Hsin Tien (TW)**

\* cited by examiner

(73) **Assignee:** **Ya Yung Enterprise Co., Ltd., Hsin Tien (TW)**

*Primary Examiner*—Sandra L. Morris

(\*\*) **Term:** **14 Years**

(74) *Attorney, Agent, or Firm*—Bacon & Thomas, PLLC

(21) **Appl. No.:** **29/190,608**

(57) **CLAIM**

(22) **Filed:** **Sep. 25, 2003**

The ornamental design for tree water ball bottle, as shown and described.

(51) **LOC (7) Cl.** ..... **11-05**

**DESCRIPTION**

(52) **U.S. Cl.** ..... **D11/118; D9/335; D11/125**

FIG. 1 is a perspective view of tree water ball bottle showing my new design;

(58) **Field of Search** ..... D9/307, 311–312, D9/314, 335; D11/121, 125, 127–129, 118, 164; 428/7, 11, 13

FIG. 2 is a front elevational view thereof;

FIG. 3 is a rear elevational view thereof;

FIG. 4 is a top plan view thereof;

FIG. 5 is a bottom plan view thereof;

FIG. 6 is a left side elevational view thereof; and,

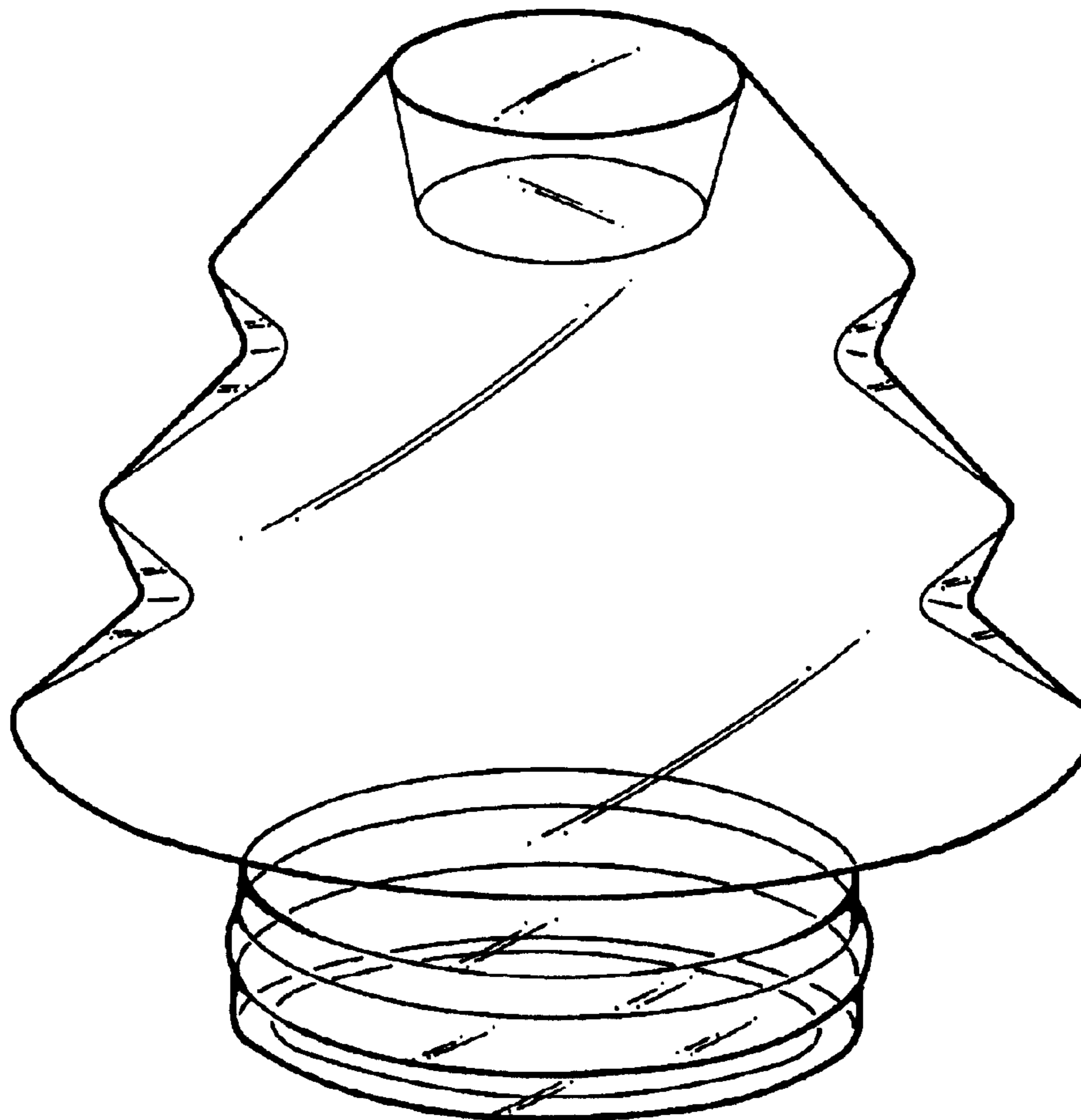
FIG. 7 is a right side elevational view thereof.

(56) **References Cited**

**U.S. PATENT DOCUMENTS**

D332,394 S \* 1/1993 Leonard et al. .... D9/312  
D357,645 S \* 4/1995 Wang ..... D11/164  
D401,888 S \* 12/1998 Yang ..... D11/64

**1 Claim, 6 Drawing Sheets**



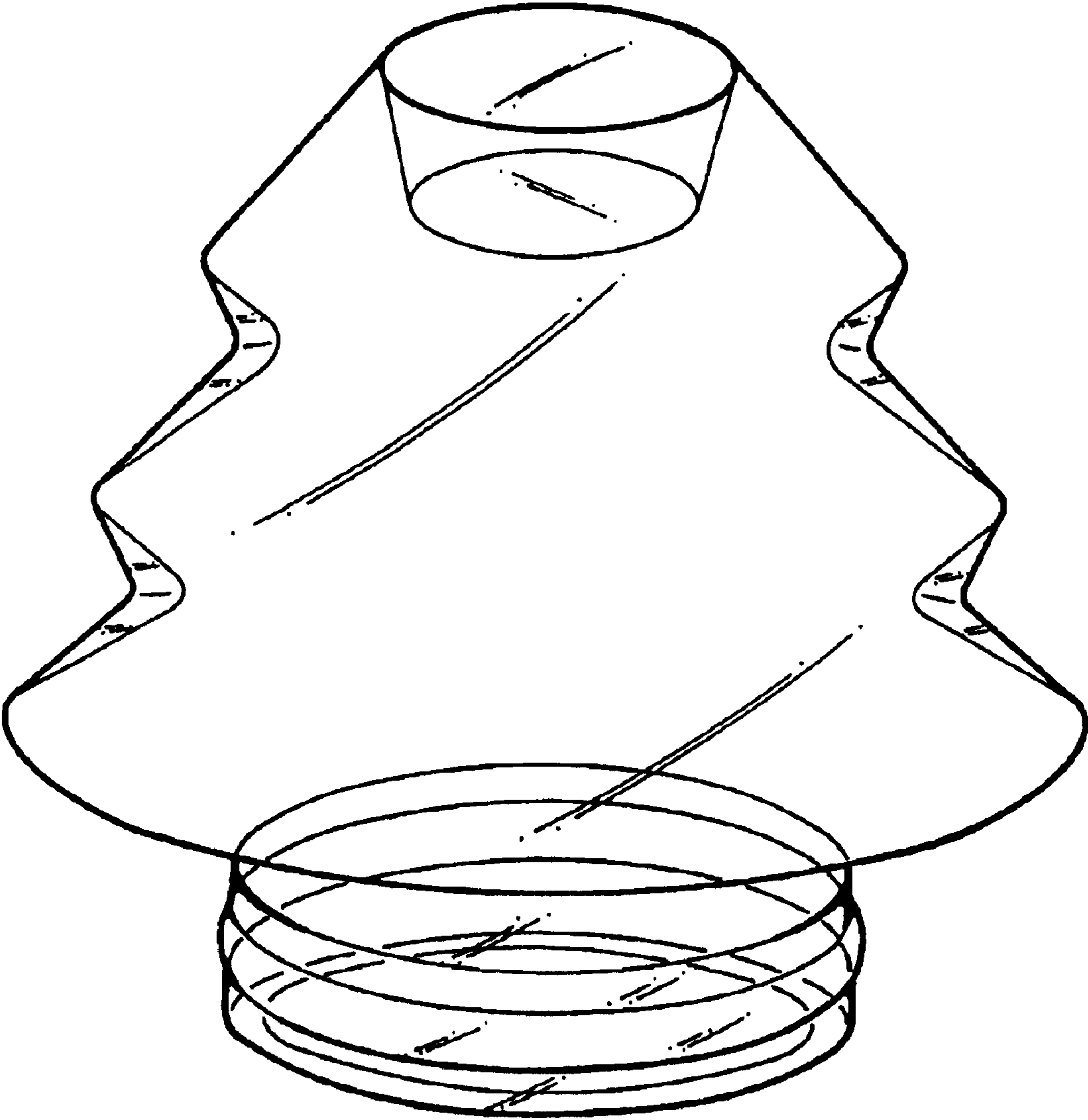


FIG. 1

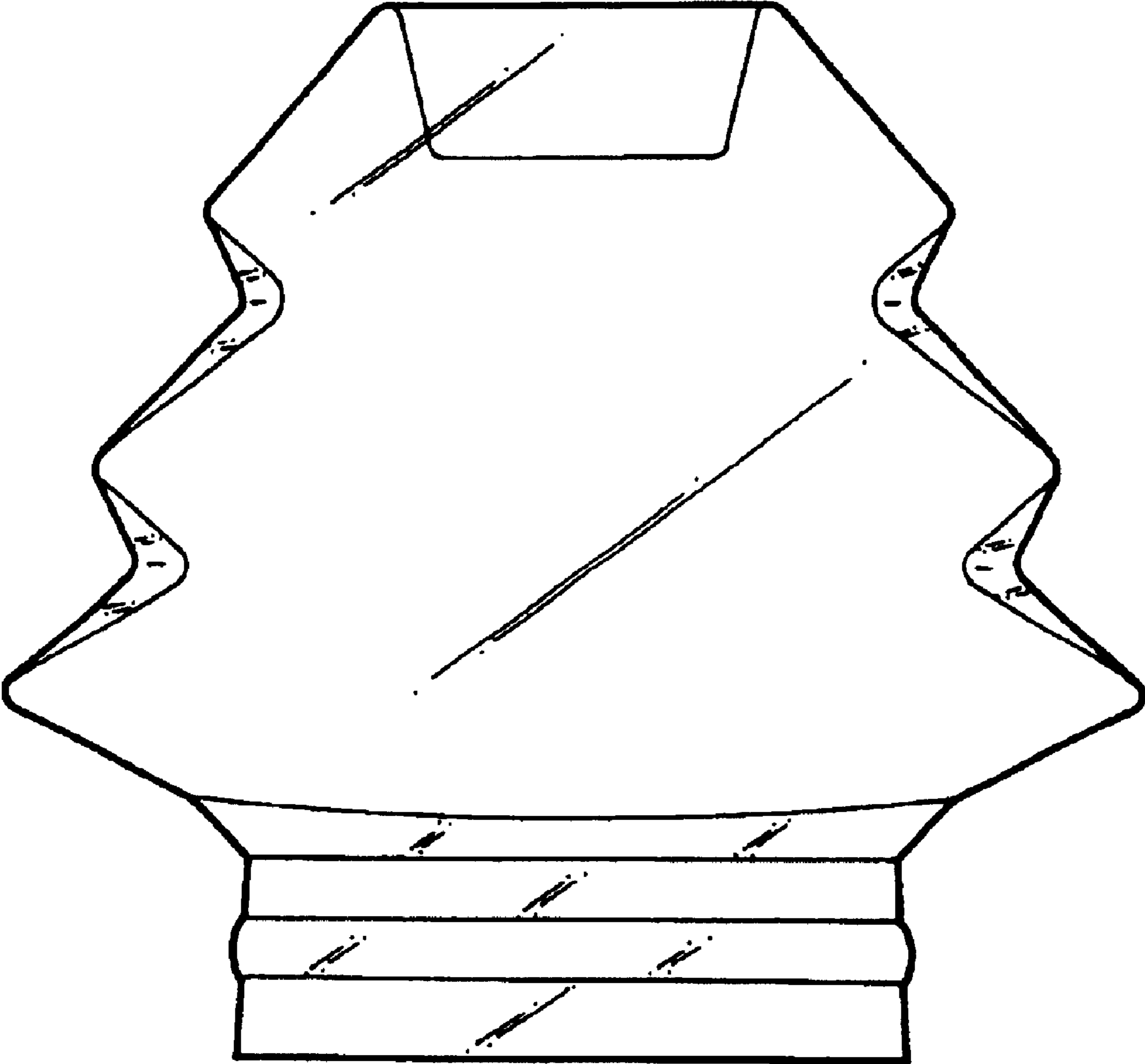


FIG.2

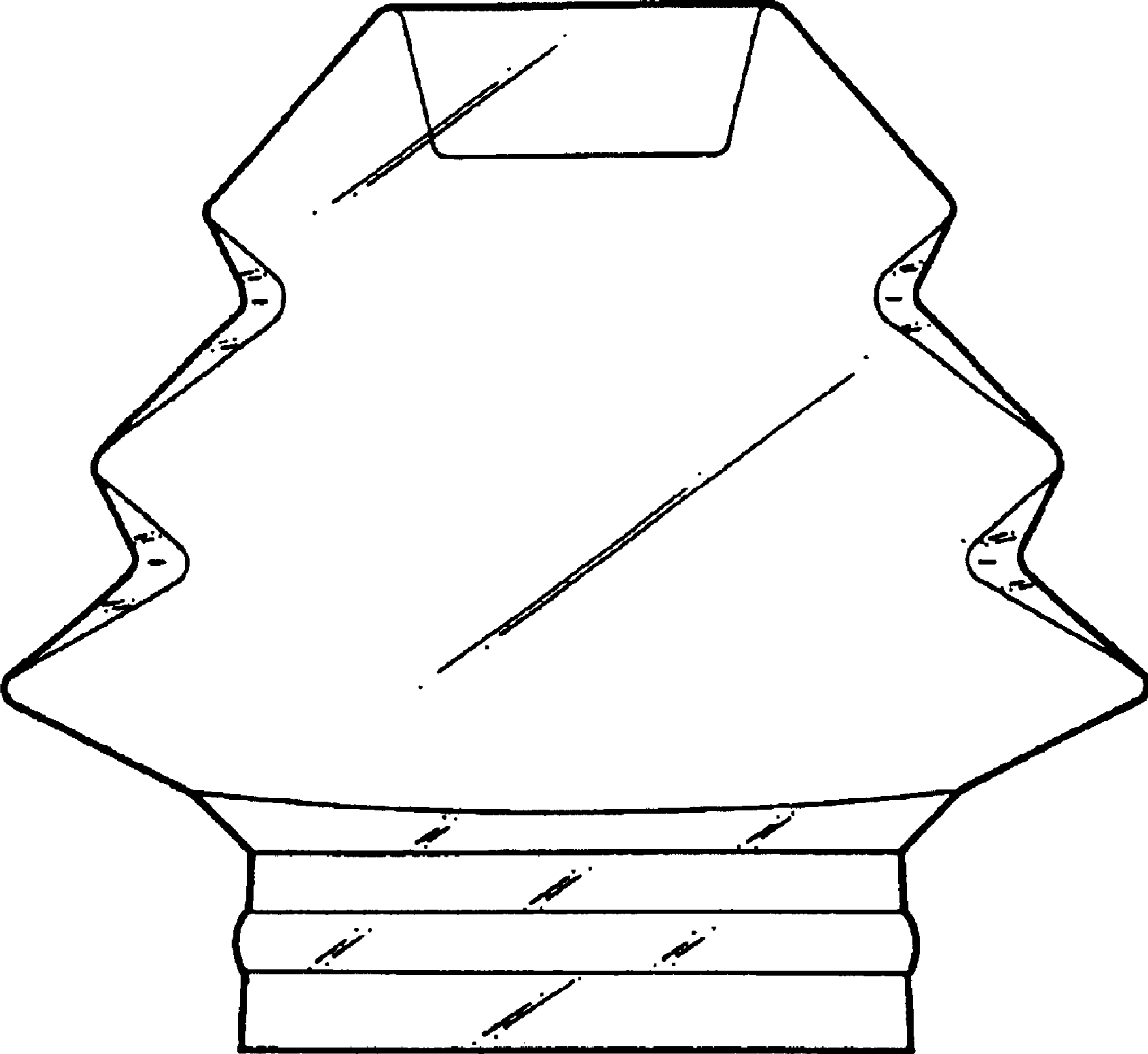


FIG.3

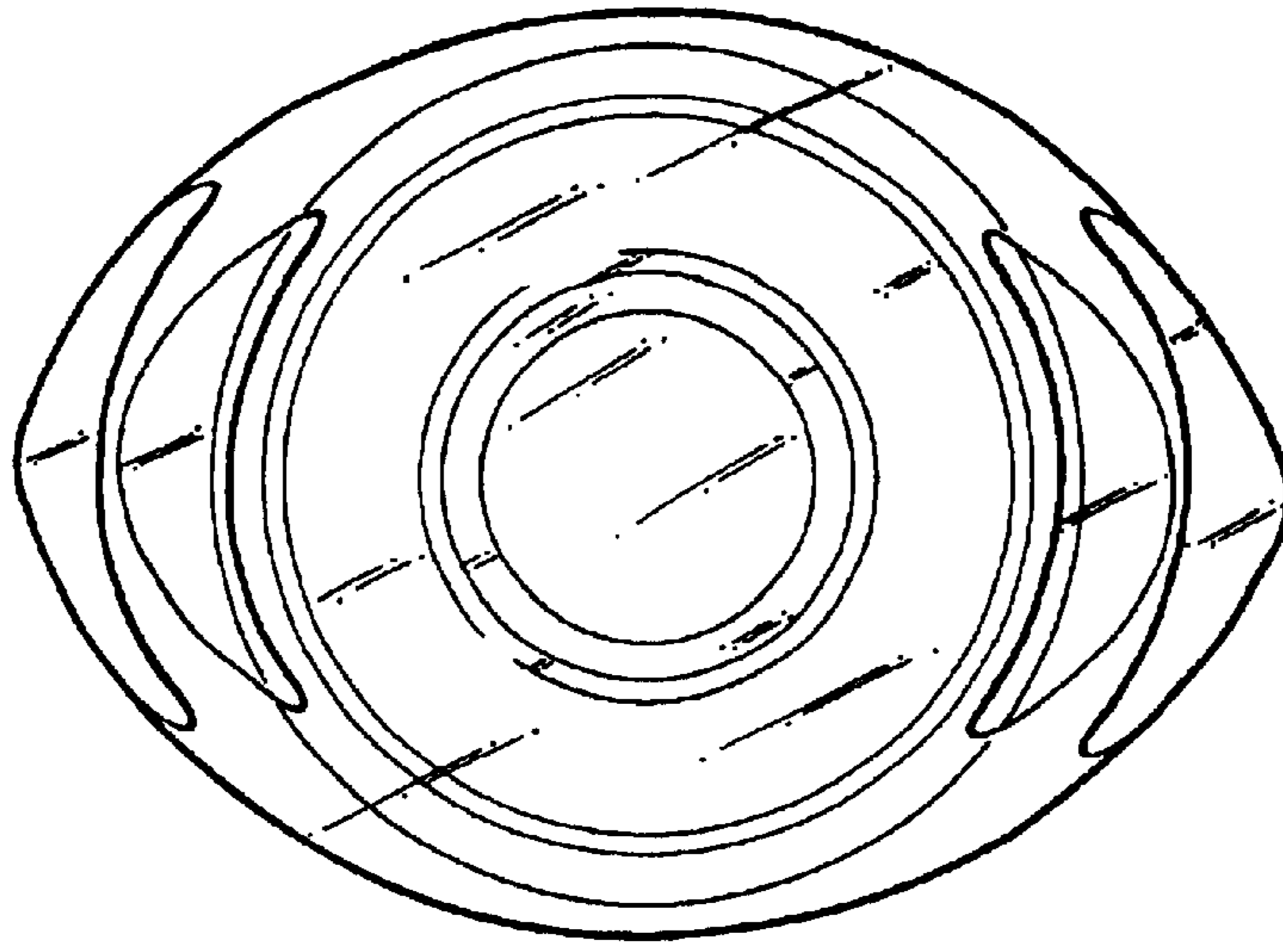


FIG. 4

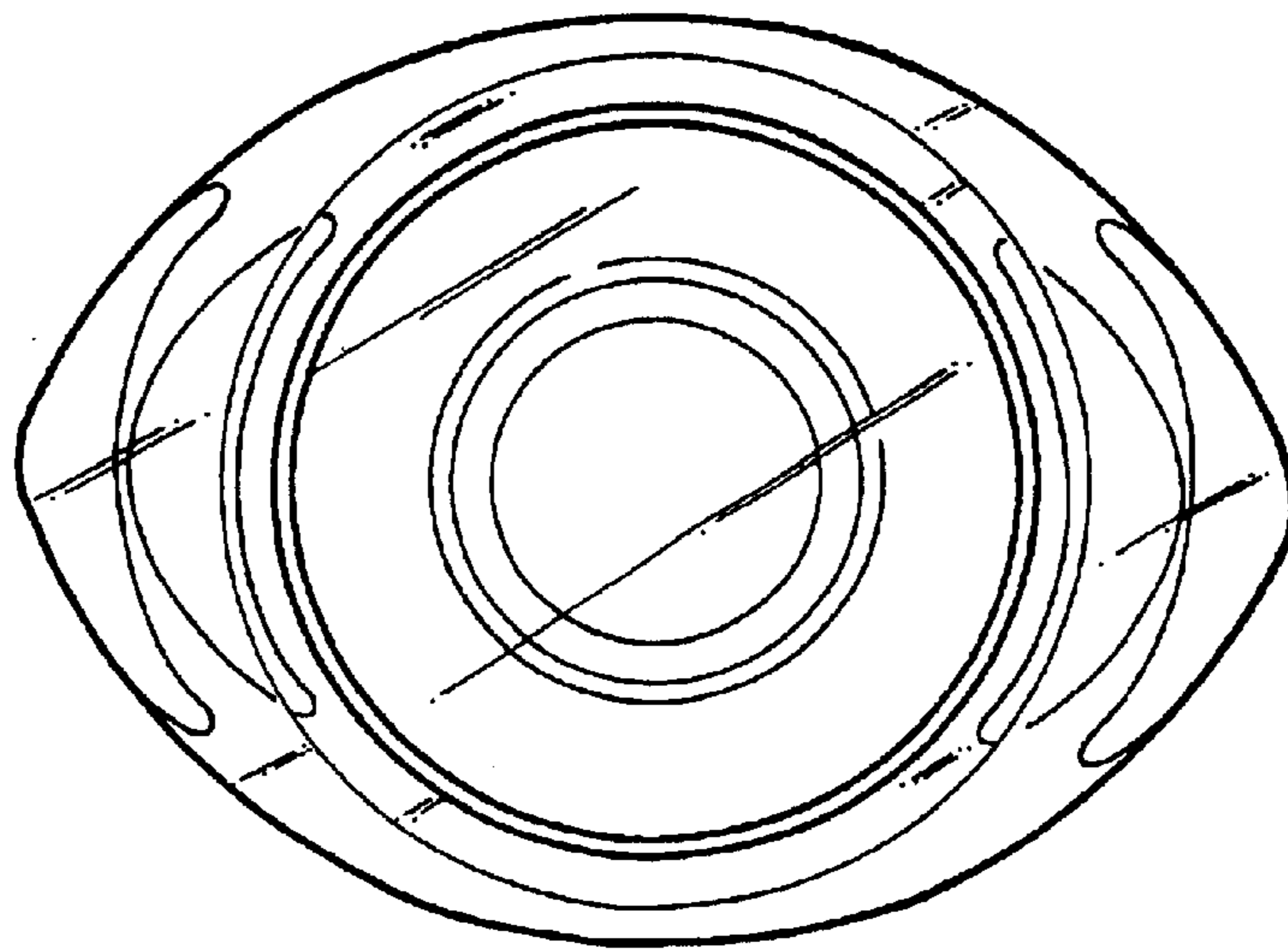


FIG. 5

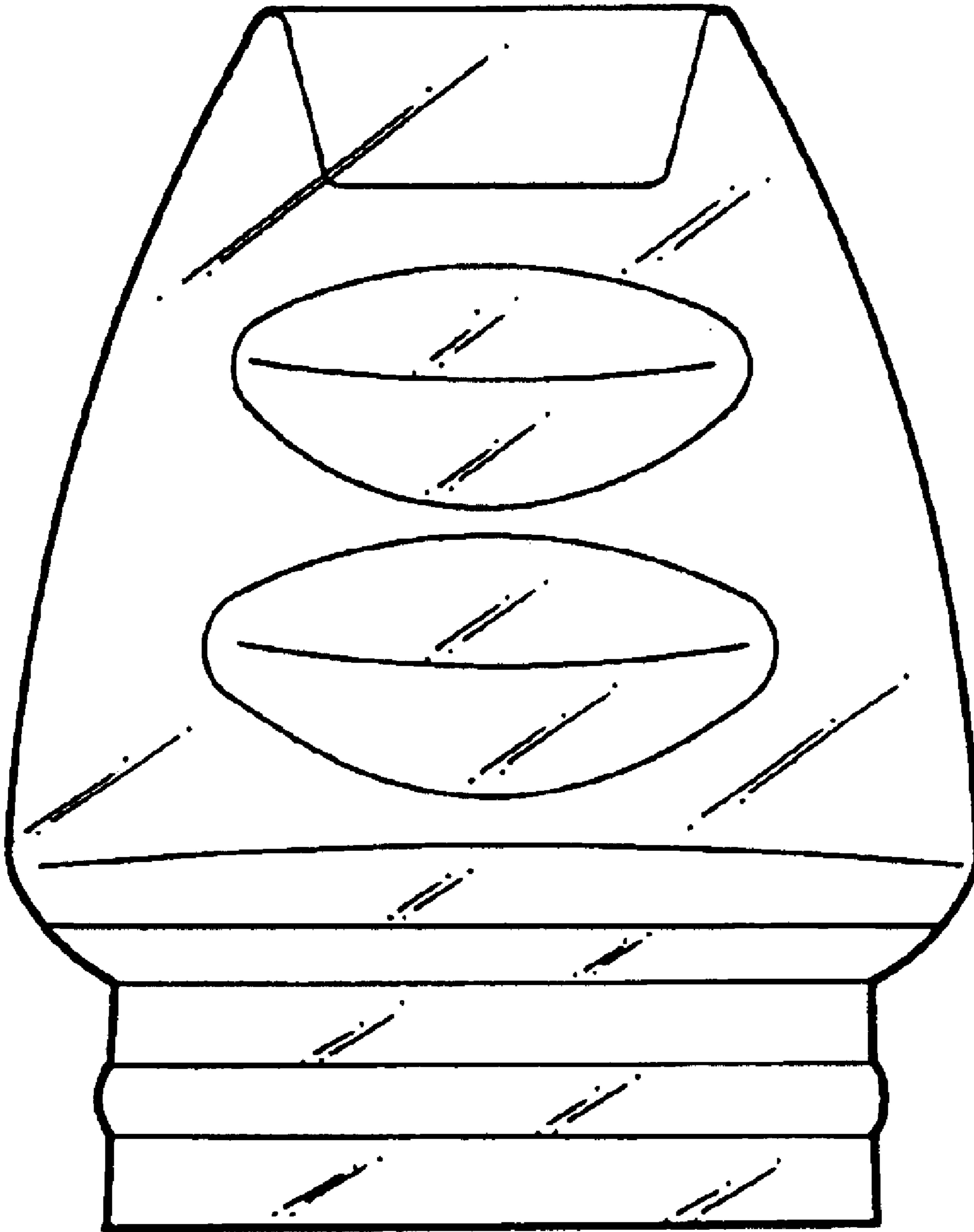


FIG. 6

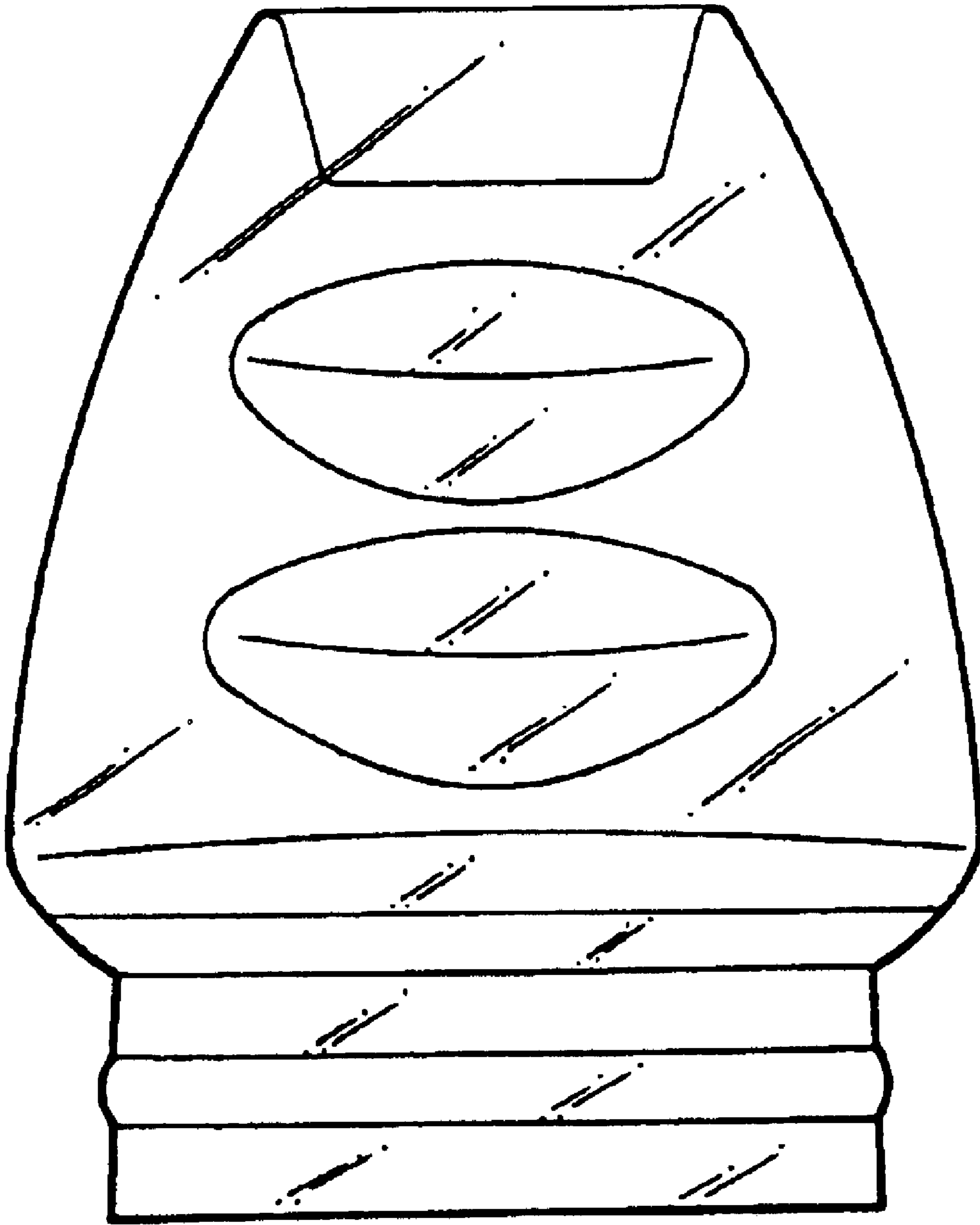


FIG. 7