

US00D499347S

(12) **United States Design Patent**
Fudali et al.

(10) **Patent No.:** **US D499,347 S**
(45) **Date of Patent:** **** Dec. 7, 2004**

(54) **GAS ANALYZER MODULE**
(75) Inventors: **Thomas M. Fudali**, McHenry, IL (US);
Timothy Ledger, Elkhorn, WI (US)
(73) Assignees: **Snap-On Incorporated**, Pleasant
Prairie, WI (US); **Autologic, L.L.C.**,
Sussex, WI (US)
(**) Term: **14 Years**

D245,965 S * 10/1977 Havstad D10/46
D277,835 S * 3/1985 Nonnast D10/81
4,505,146 A * 3/1985 Miners 73/19.01
2003/0088346 A1 * 5/2003 Calkins et al. 701/29
2004/0062684 A1 * 4/2004 McGee et al. 422/68.1
* cited by examiner

(21) Appl. No.: **29/182,996**
(22) Filed: **Jun. 5, 2003**

Primary Examiner—Antoine D. Davis
(74) *Attorney, Agent, or Firm*—McDermott Will & Emery
LLP

(51) **LOC (7) Cl.** **10-04**
(52) **U.S. Cl.** **D10/81; D10/78**
(58) **Field of Search** D10/78, 81; 436/137,
436/134, 127, 164; 340/545; 701/29; 73/19.01,
31.05, 23.2, 31.02; 422/68.1, 83; 250/343,
339.13

(57) **CLAIM**
The ornamental design for a gas analyzer module, as shown
and described.

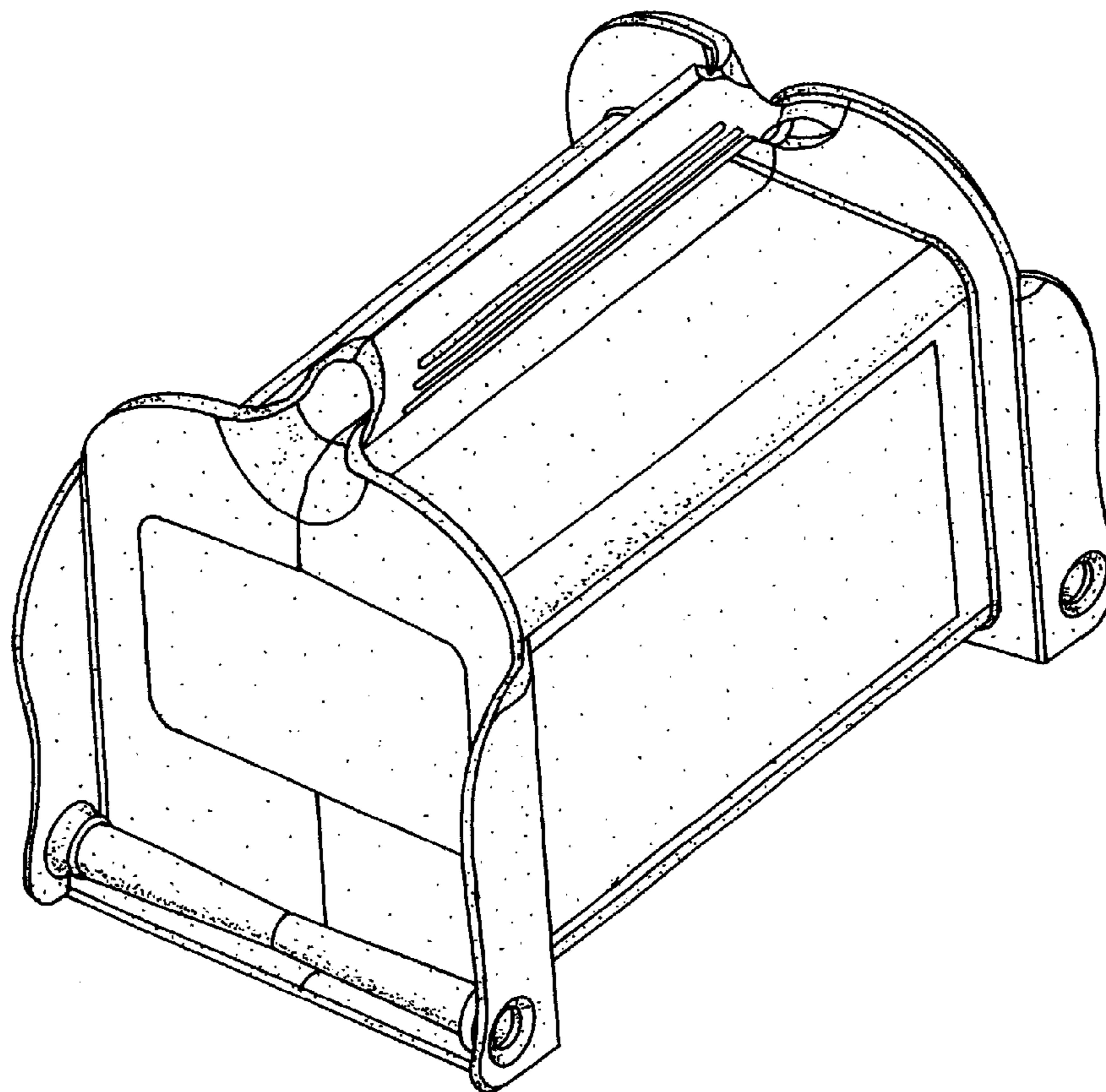
(56) **References Cited**
U.S. PATENT DOCUMENTS

DESCRIPTION

D193,931 S * 10/1962 Bagshaw D10/46
3,375,700 A * 4/1968 Hubner 73/31.02
3,415,108 A * 12/1968 Hubner 73/31.05

FIG. 1 is an end, side and top perspective view of a gas
analyzer module, showing my new design;
FIG. 2 is an opposite end, side and top perspective view
thereof,
FIG. 3 an end, opposite side and bottom perspective view
thereof (a left side thereof is a mirror view of the right side);
and,
FIG. 4 is an end, opposite side and top perspective view
thereof.

1 Claim, 4 Drawing Sheets



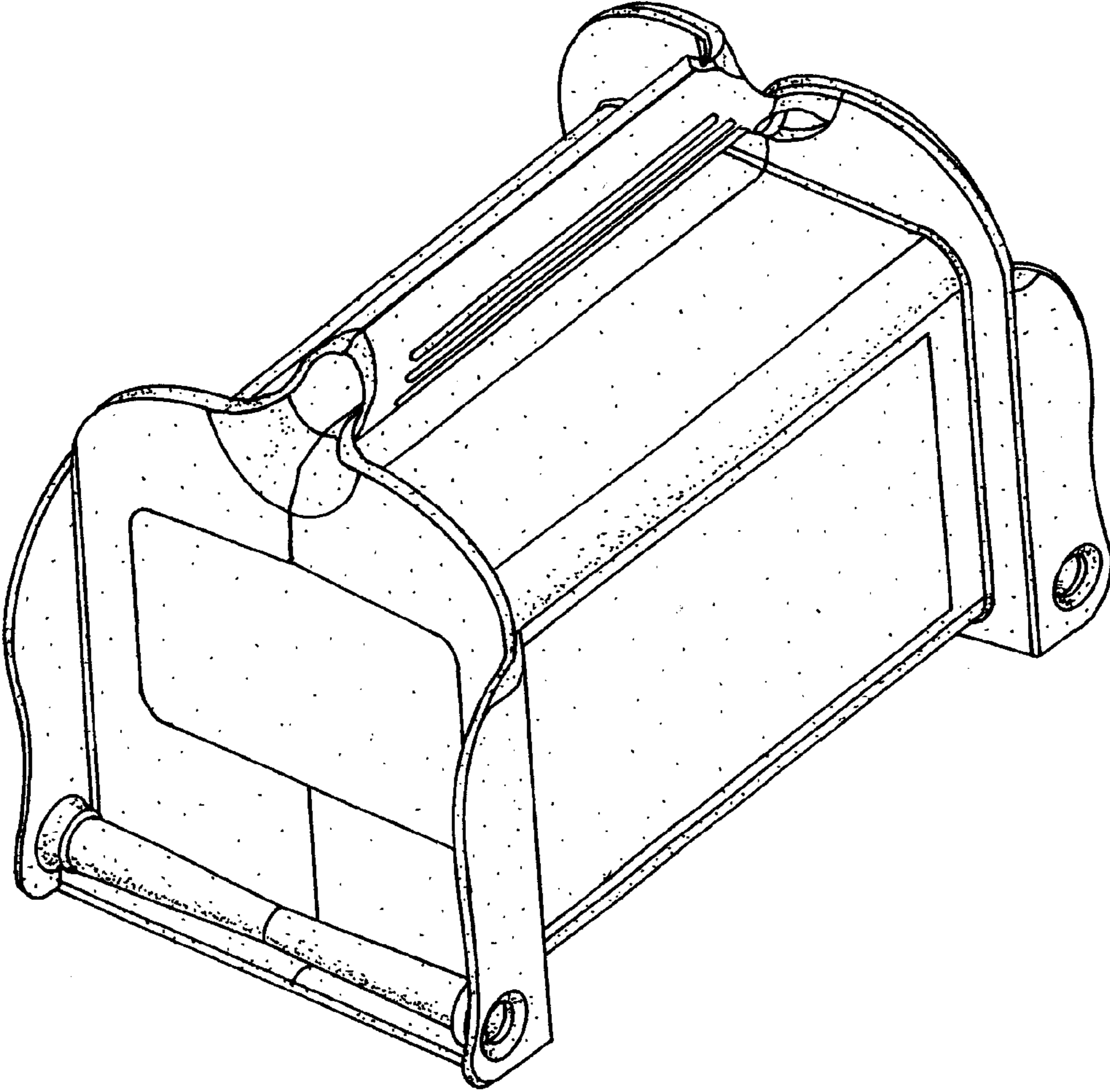


FIG. 1

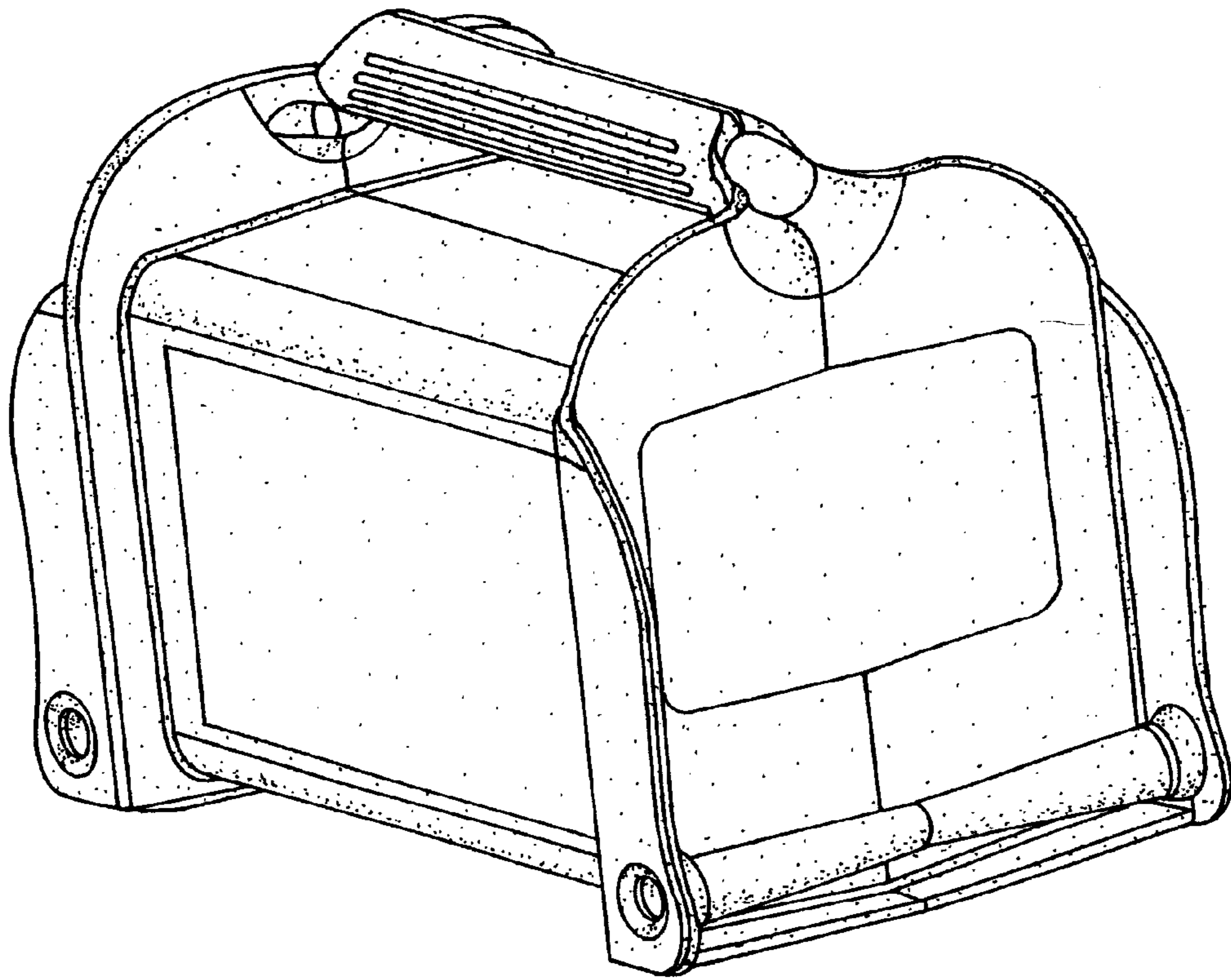


FIG. 2

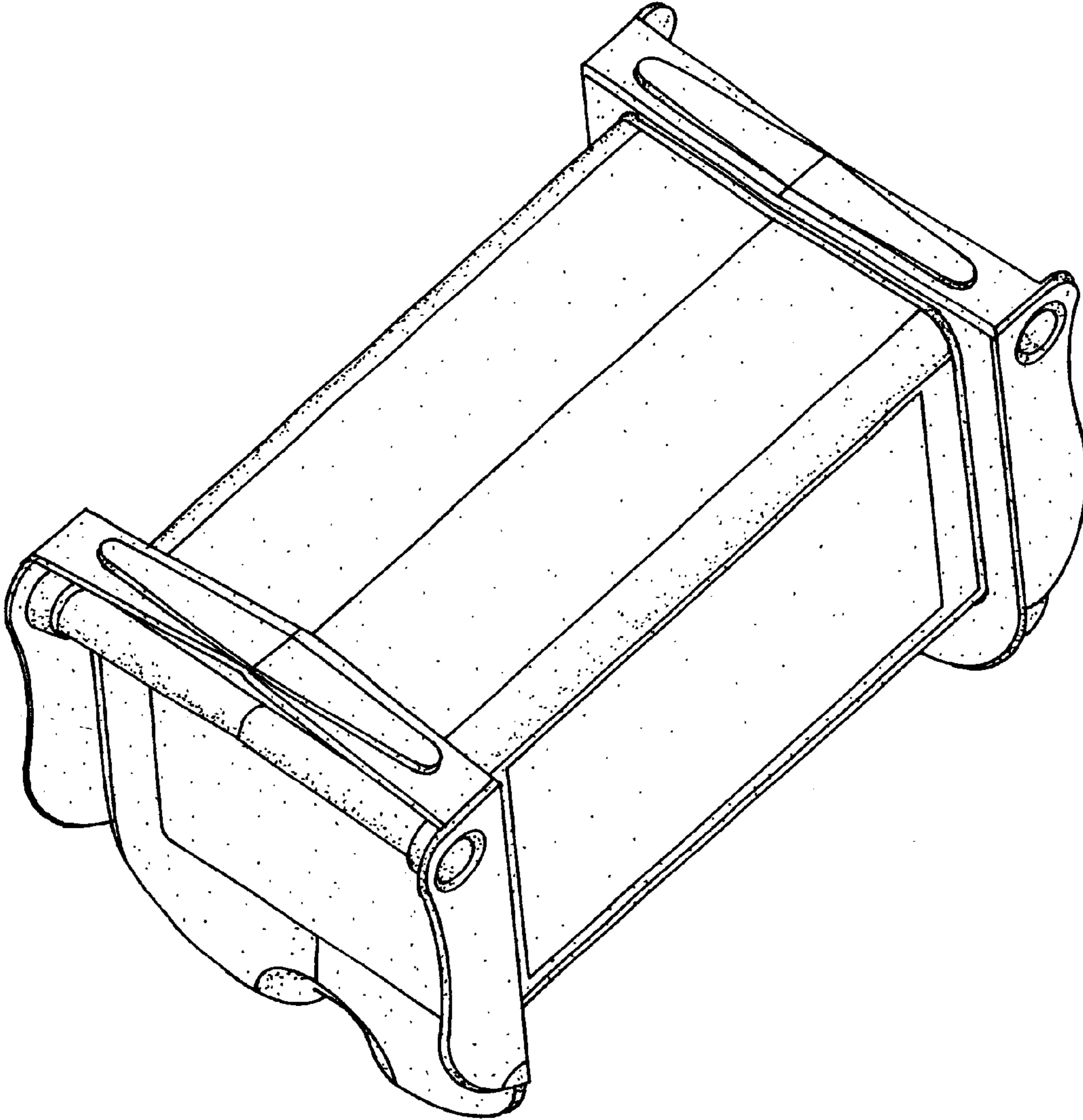


FIG. 3

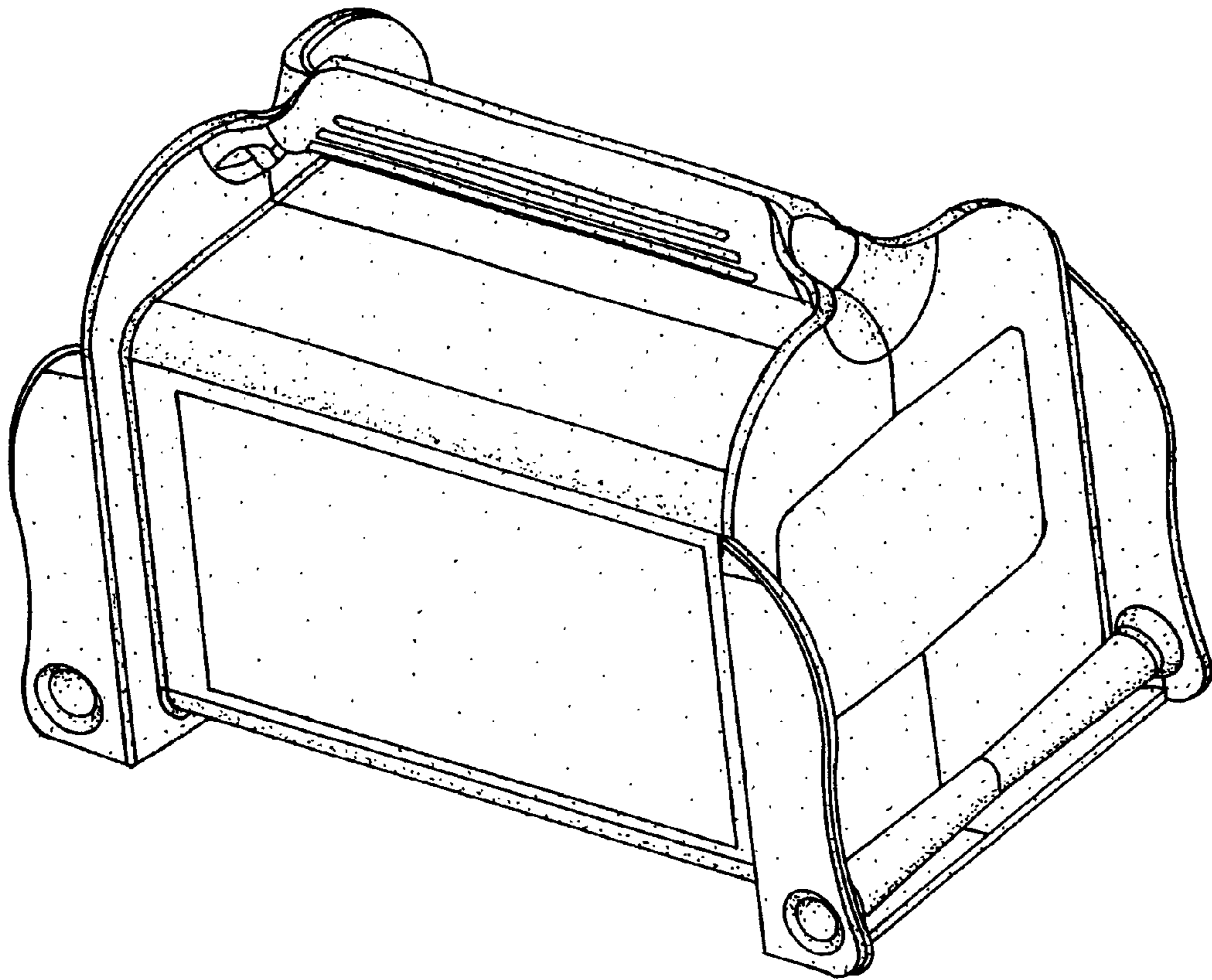


FIG. 4