



US00D499345S

(12) **United States Design Patent**  
**Bhavnani**

(10) **Patent No.:** **US D499,345 S**

(45) **Date of Patent:** **\*\* Dec. 7, 2004**

(54) **TOASTER TIMER**

(75) **Inventor:** **Dilip Bhavnani**, Beverly Hills, CA (US)

(73) **Assignee:** **Sun Coast Merchandise Corp.**, Commerce, CA (US)

(\*\*) **Term:** **14 Years**

(21) **Appl. No.:** **29/203,129**

(22) **Filed:** **Apr. 7, 2004**

(51) **LOC (7) Cl.** ..... **10-03**

(52) **U.S. Cl.** ..... **D10/40; D10/6**

(58) **Field of Search** ..... D10/1-40, 122-132; D7/330; 368/96-100, 107-121, 276-277, 285, 316, 317; 200/38 R; 307/141 R, 141.4

(56) **References Cited**

**U.S. PATENT DOCUMENTS**

D160,057 S \* 9/1950 Bernstien ..... D14/170  
3,719,037 A \* 3/1973 Williams ..... 368/101

D337,953 S \* 8/1993 Verborn et al. .... D10/40  
5,905,694 A \* 5/1999 Rothberg ..... 368/113  
D411,465 S \* 6/1999 Nasca et al. .... D10/6

\* cited by examiner

*Primary Examiner*—Nelson C. Holtje

(74) *Attorney, Agent, or Firm*—Brian Carpenter

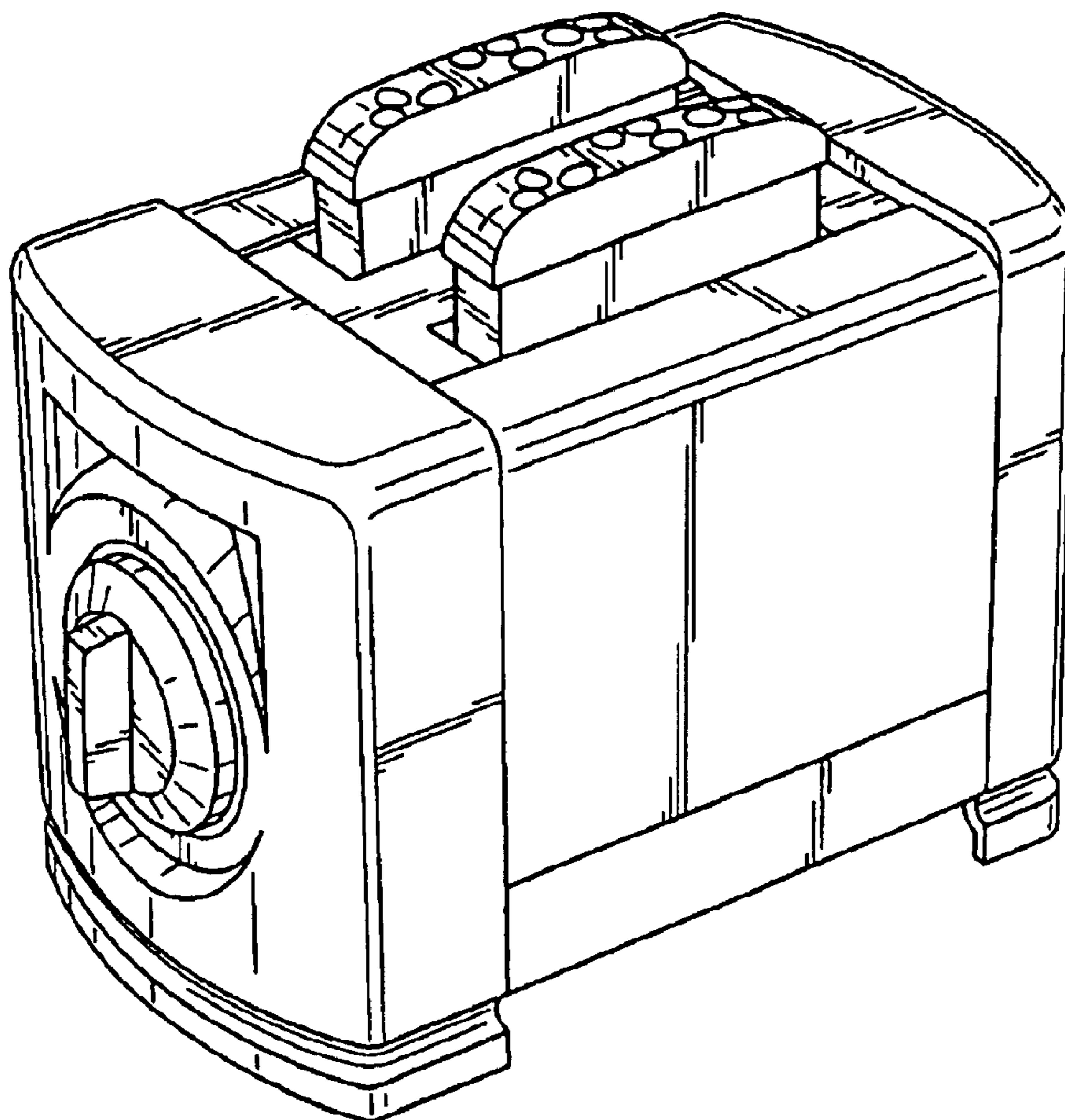
(57) **CLAIM**

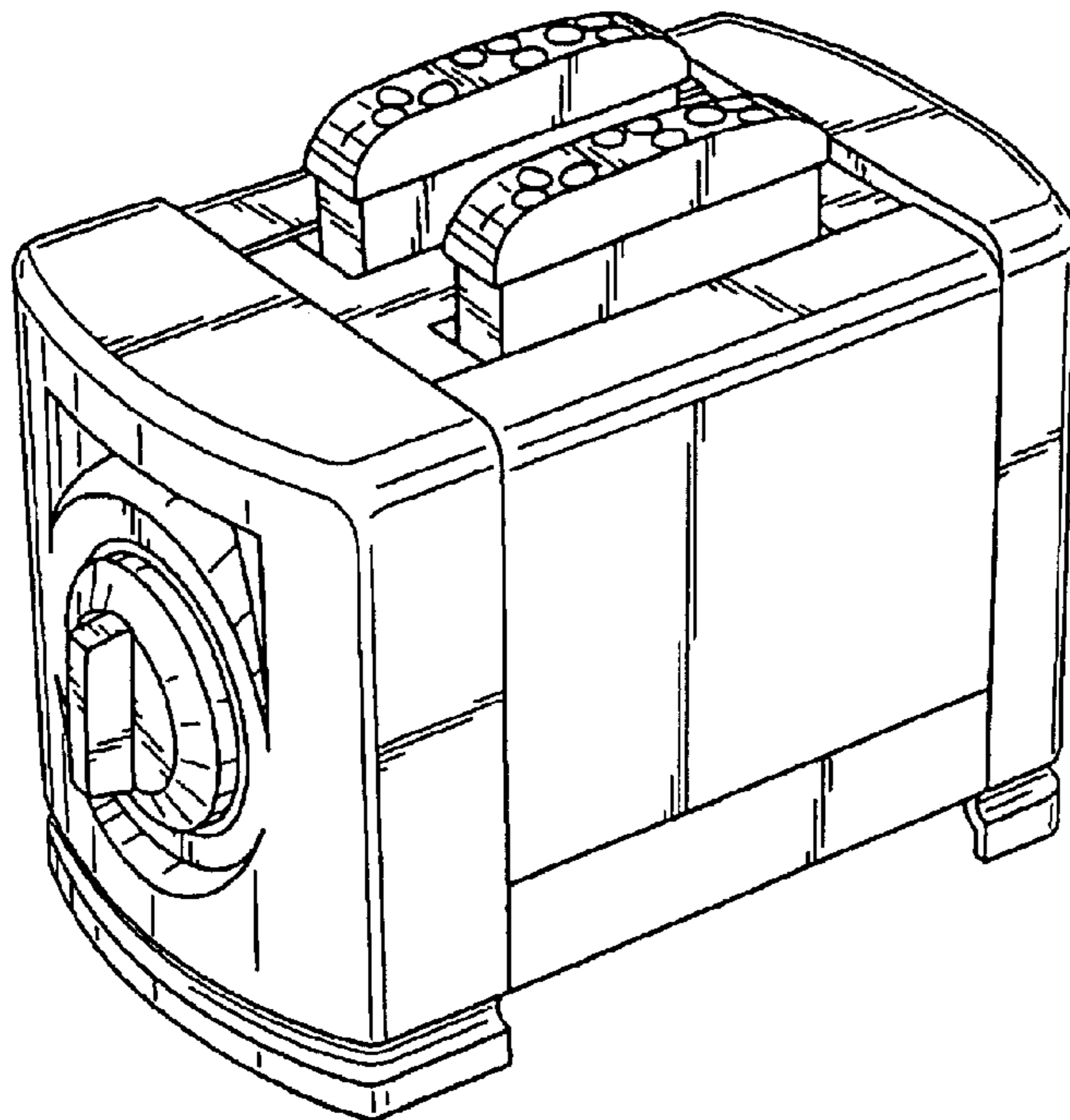
The ornamental design for a toaster timer, as shown and described.

**DESCRIPTION**

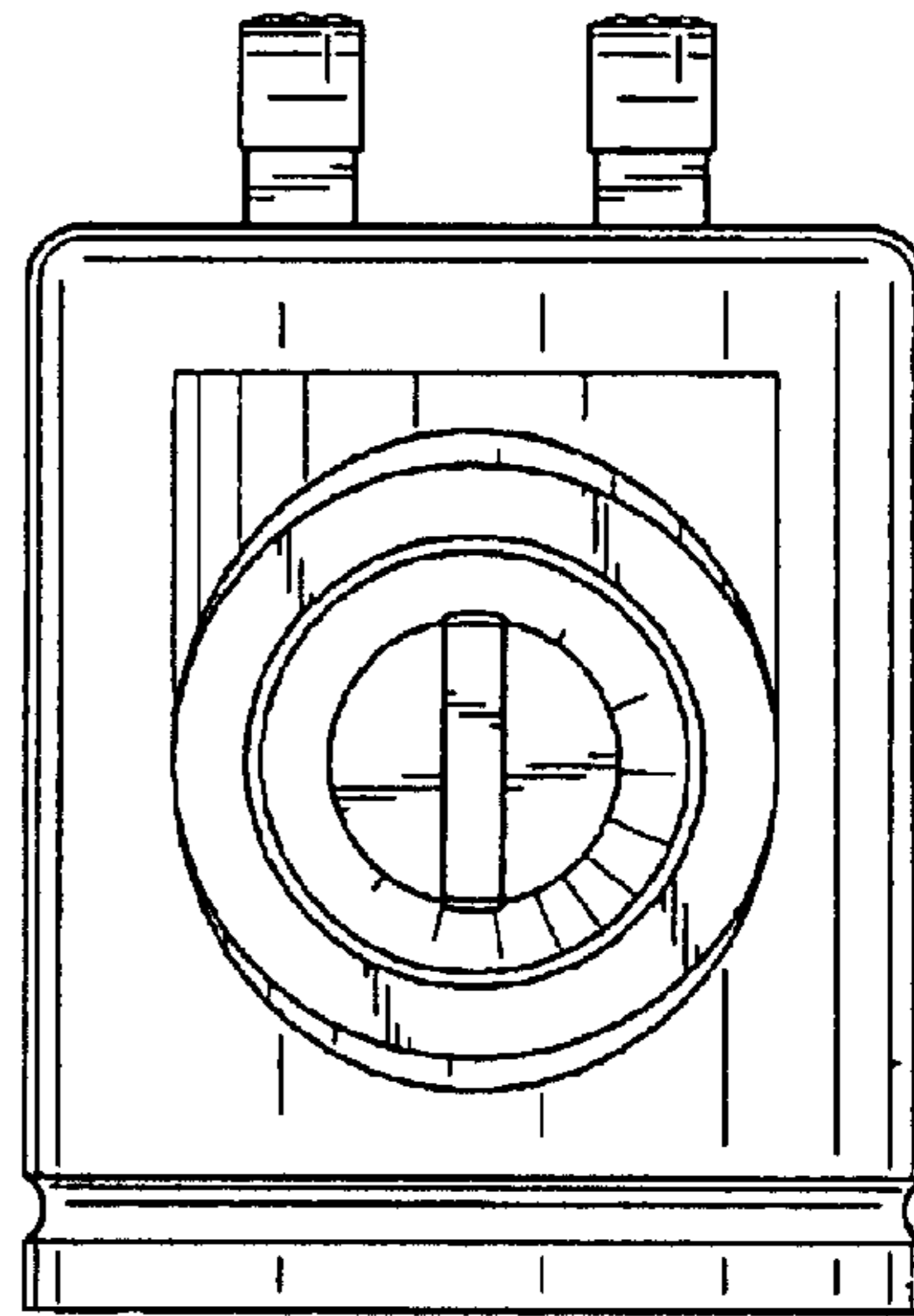
FIG. 1 is a perspective view of a timer; FIG. 2 is a front elevational view of the timer of FIG. 1; FIG. 3 is a left side elevational view of the timer of FIG. 1, the right side elevational view of the timer being a mirror image of the left side elevational view; FIG. 4 is a top plan view of the timer of FIG. 1; FIG. 5 is a bottom plan view of the timer of FIG. 1; and, FIG. 6 is a rear elevational view of the timer of FIG. 1.

**1 Claim, 2 Drawing Sheets**

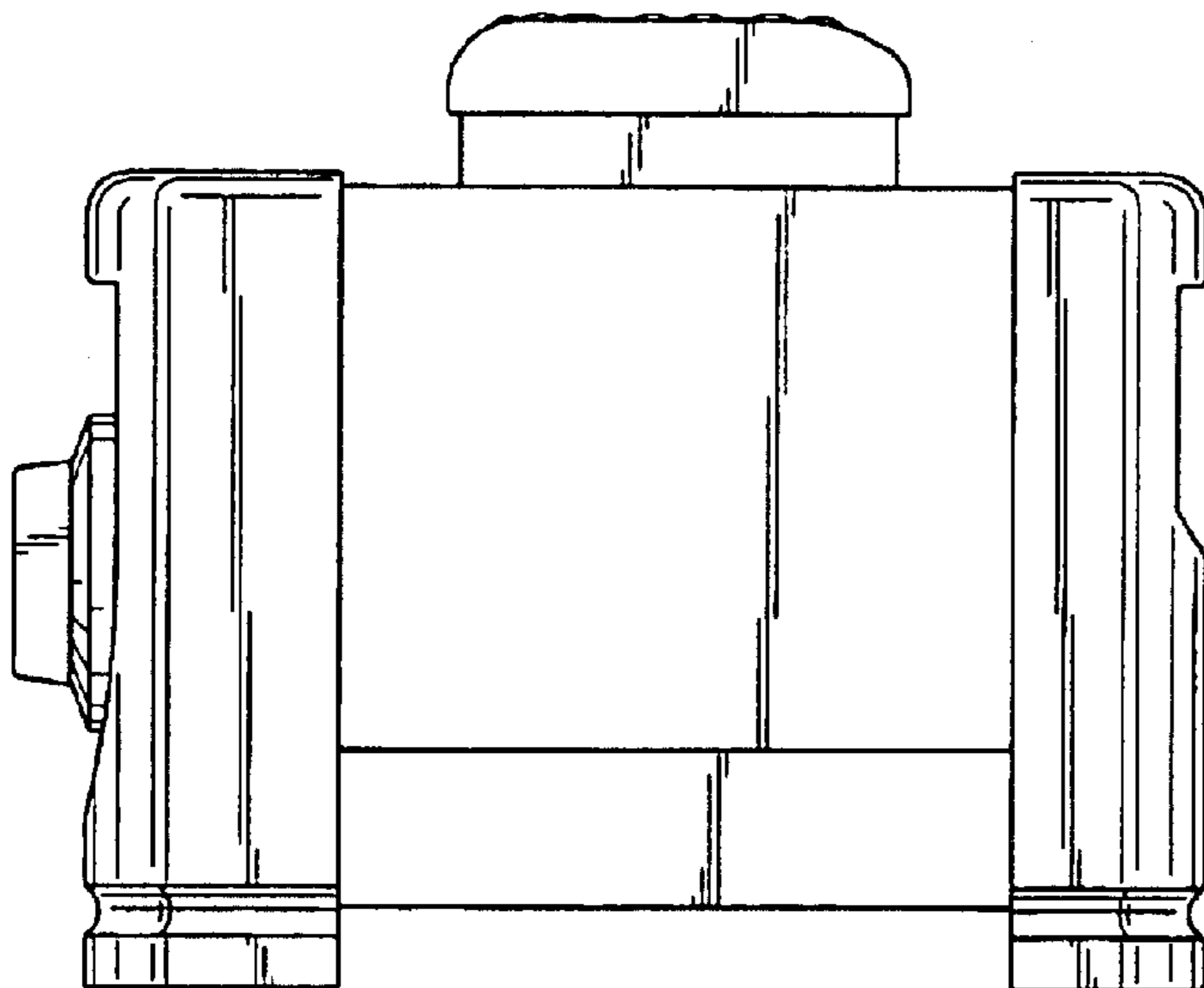




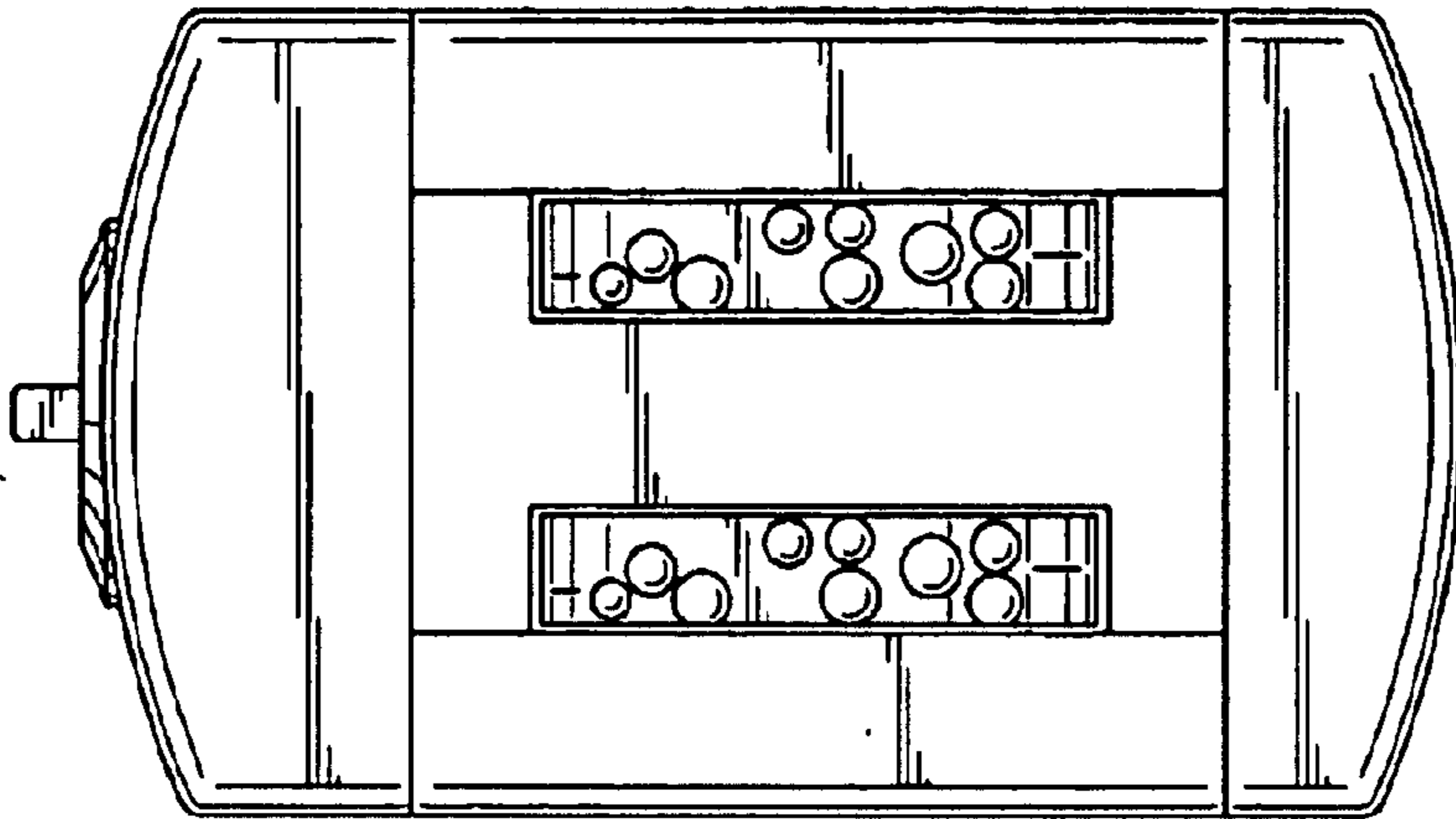
*FIG. 1*



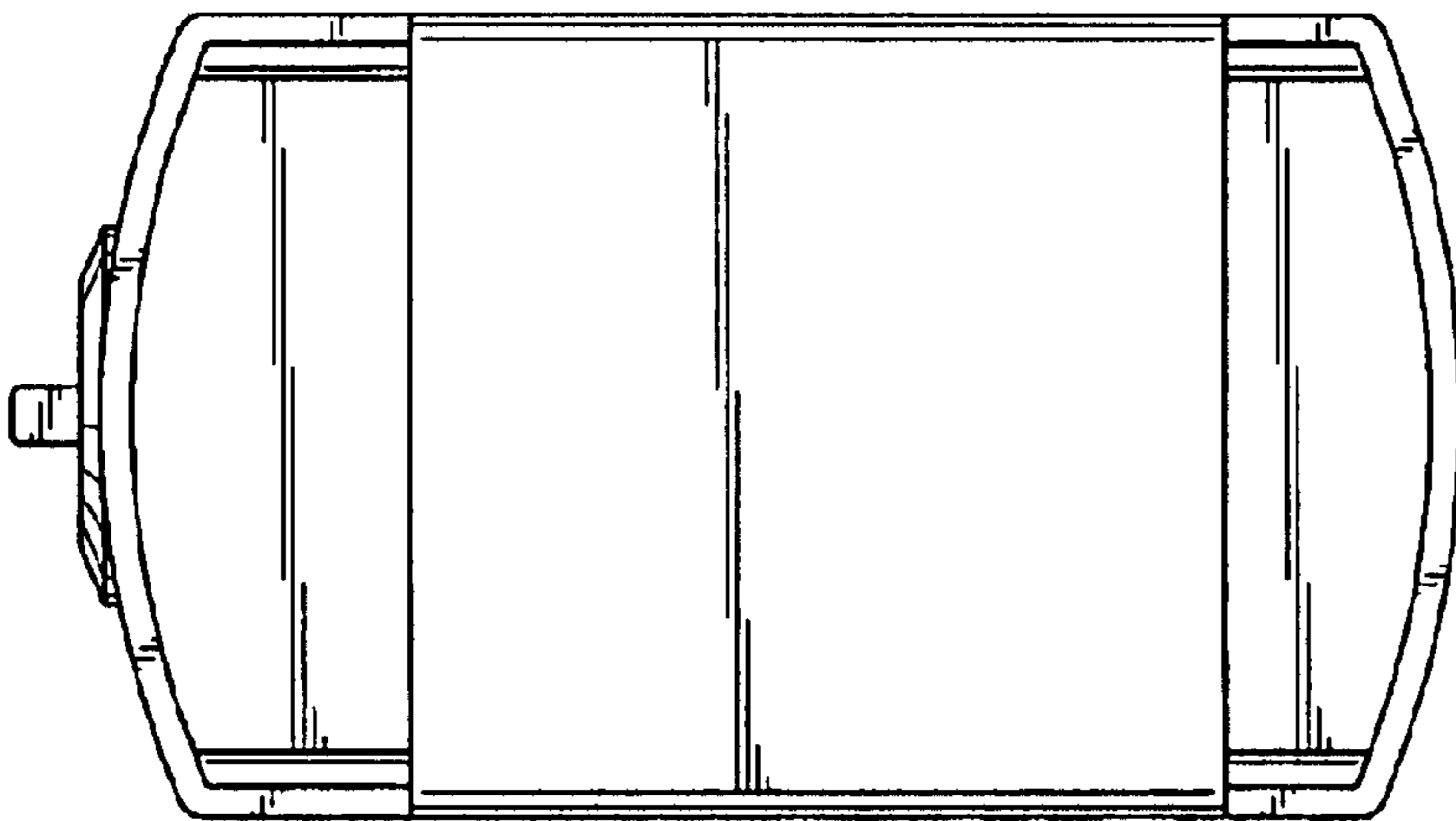
*FIG. 2*



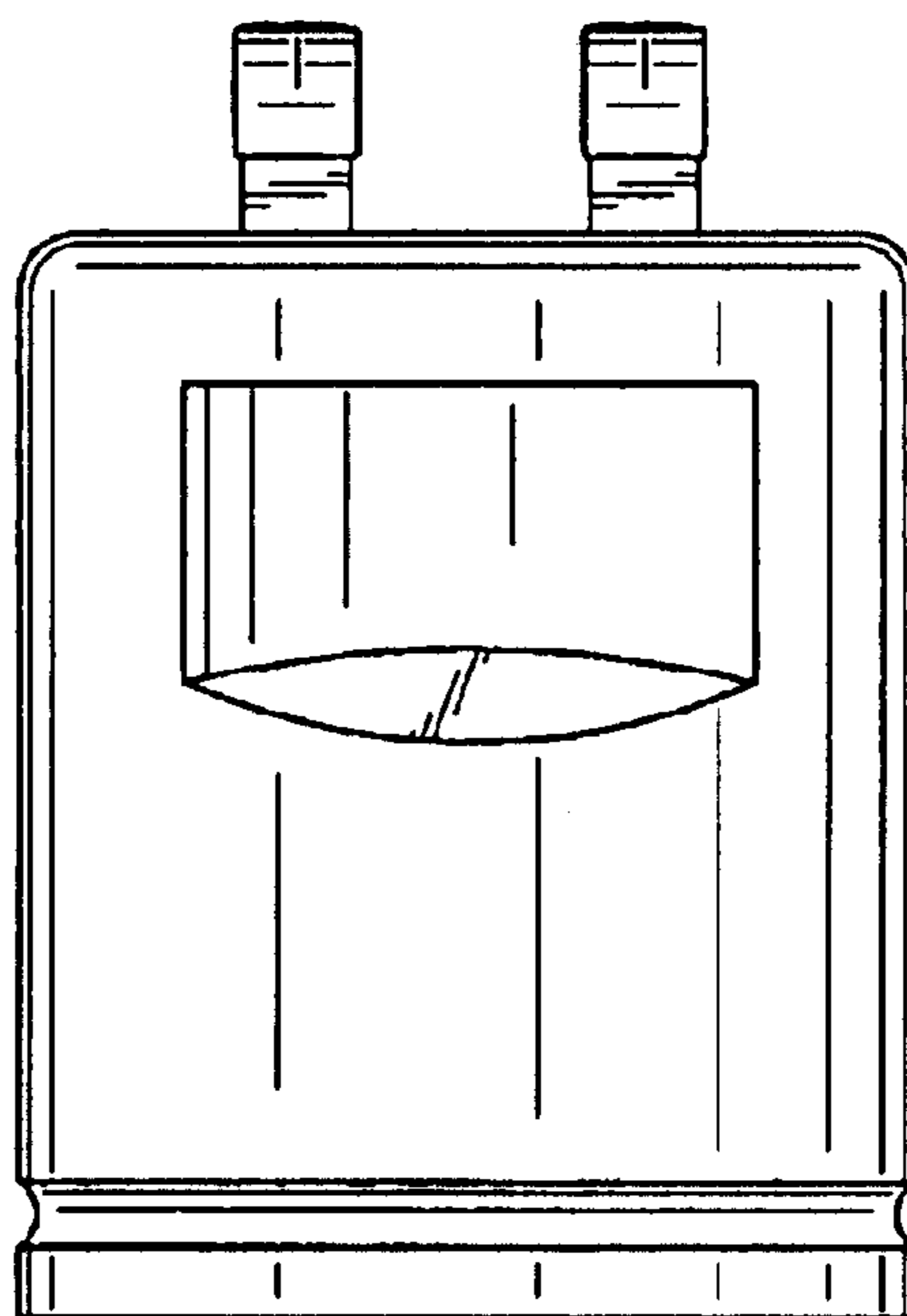
*FIG. 3*



*FIG. 4*



*FIG. 5*



*FIG. 6*