

US00D499343S

(12) **United States Design Patent** (10) **Patent No.:** **US D499,343 S**
Chan (45) **Date of Patent:** **** Dec. 7, 2004**

(54) **CLOCK WITH STATIONERY ORGANIZER**

(75) Inventor: **Sik-Leung Chan, Tsuen Wan (HK)**

(73) Assignee: **C.C. & L Company Limited, Tsuen Wan (CN)**

(**) Term: **14 Years**

(21) Appl. No.: **29/186,573**

(22) Filed: **Jul. 18, 2003**

(30) **Foreign Application Priority Data**

Feb. 10, 2003 (HK) 0310205

(51) **LOC (7) Cl.** **10-01**

(52) **U.S. Cl.** **D10/2; D19/82; D19/90; D19/97**

(58) **Field of Search** D10/1-8, 15, 31, D10/33-35; D19/82, 88, 90, 97; 24/67.11; 368/10-11; D21/578; 40/658; 248/442, 442.2, 316.7

(56) **References Cited**

U.S. PATENT DOCUMENTS

- D274,702 S * 7/1984 Mermelstein D10/8
- D286,381 S * 10/1986 Zeisel D10/8
- D286,552 S * 11/1986 Satterfield D19/82
- D296,347 S * 6/1988 Kanoh D21/578

- D366,500 S * 1/1996 Goldthwaite D19/82
- D379,435 S * 5/1997 Hsu D10/2
- D417,157 S * 11/1999 Chang D10/8
- D421,915 S * 3/2000 Alexander, II D10/8
- D425,561 S * 5/2000 Glasgow D19/82
- D427,529 S * 7/2000 Haney D10/2
- D453,361 S * 2/2002 Tsai D21/578
- D492,359 S * 6/2004 So D19/90

* cited by examiner

Primary Examiner—Nelson C. Holtje

(74) *Attorney, Agent, or Firm*—Alix, Yale & Ristas, LLP

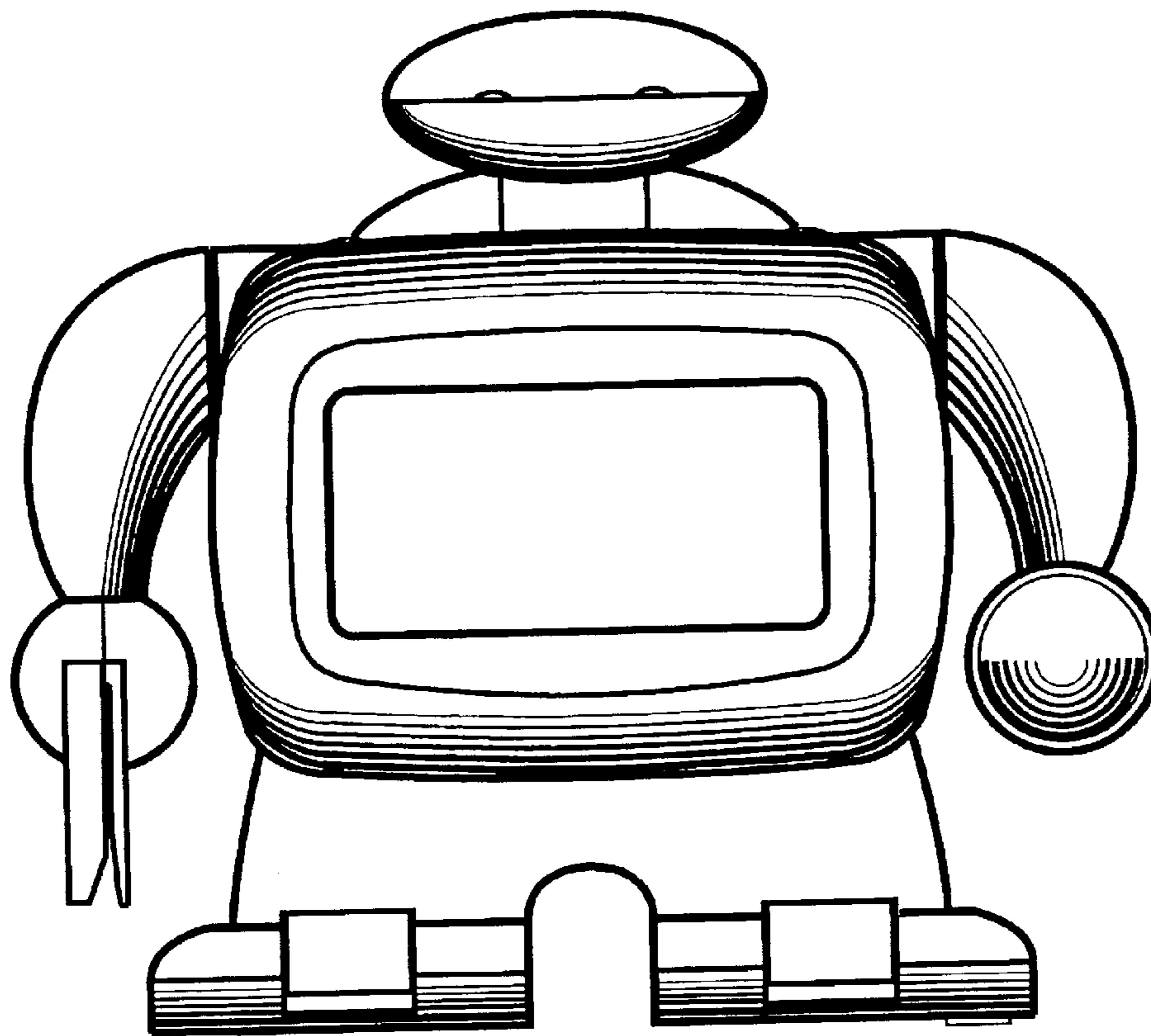
(57) **CLAIM**

The ornamental design for a clock with stationery organizer, as shown and described.

DESCRIPTION

FIG. 1 is a front elevational view of a clock with stationery organiser showing my new design;
 FIG. 2 is a rear elevational view thereof;
 FIG. 3 is a top plan view thereof;
 FIG. 4 is a bottom plan view thereof;
 FIG. 5 is a left side elevational view thereof;
 FIG. 6 is a right side elevational view thereof; and,
 FIG. 7 is a front perspective view with parts in alternative position thereof.

1 Claim, 7 Drawing Sheets



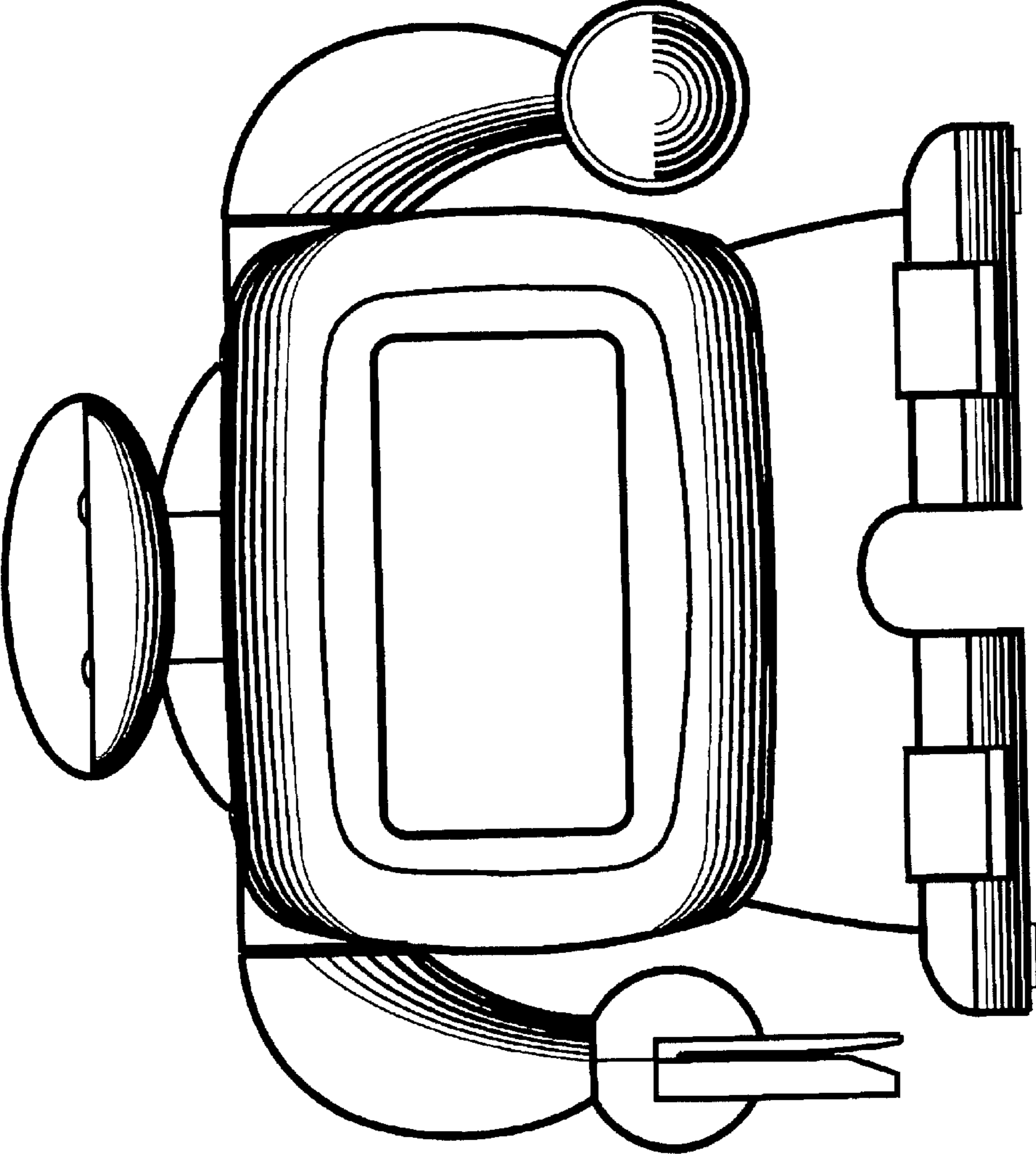


FIG. 1

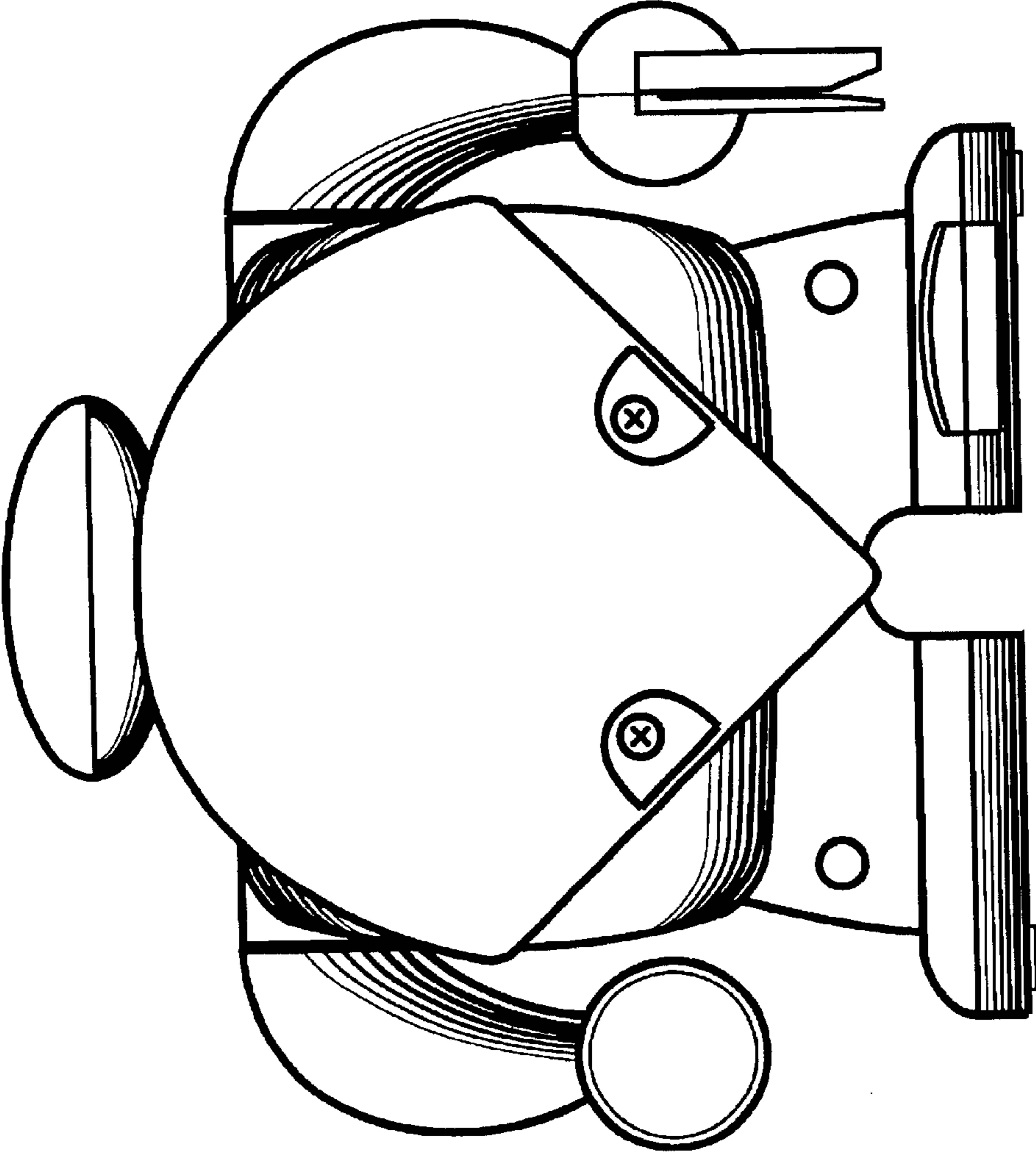


FIG. 2

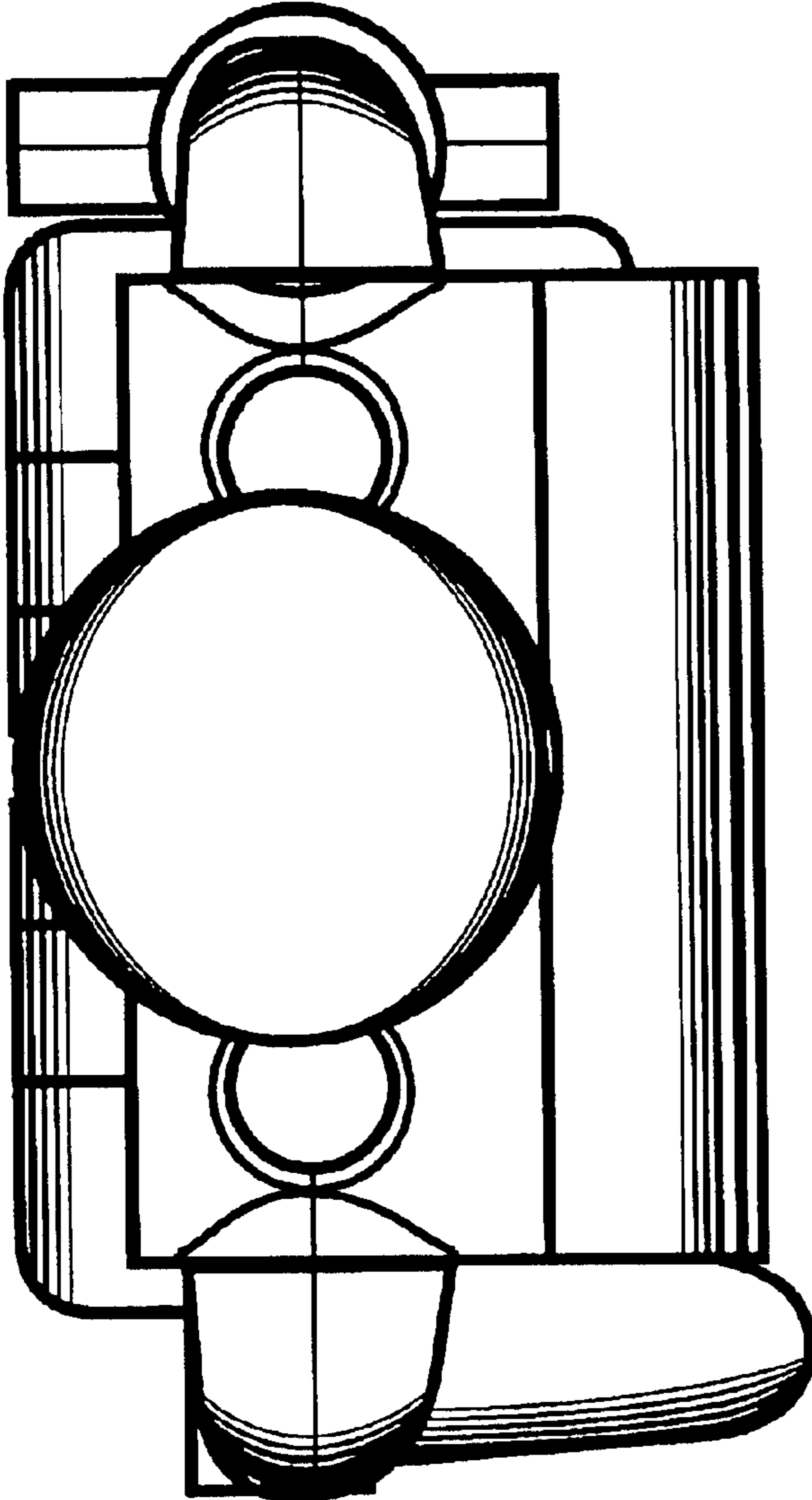


FIG. 3

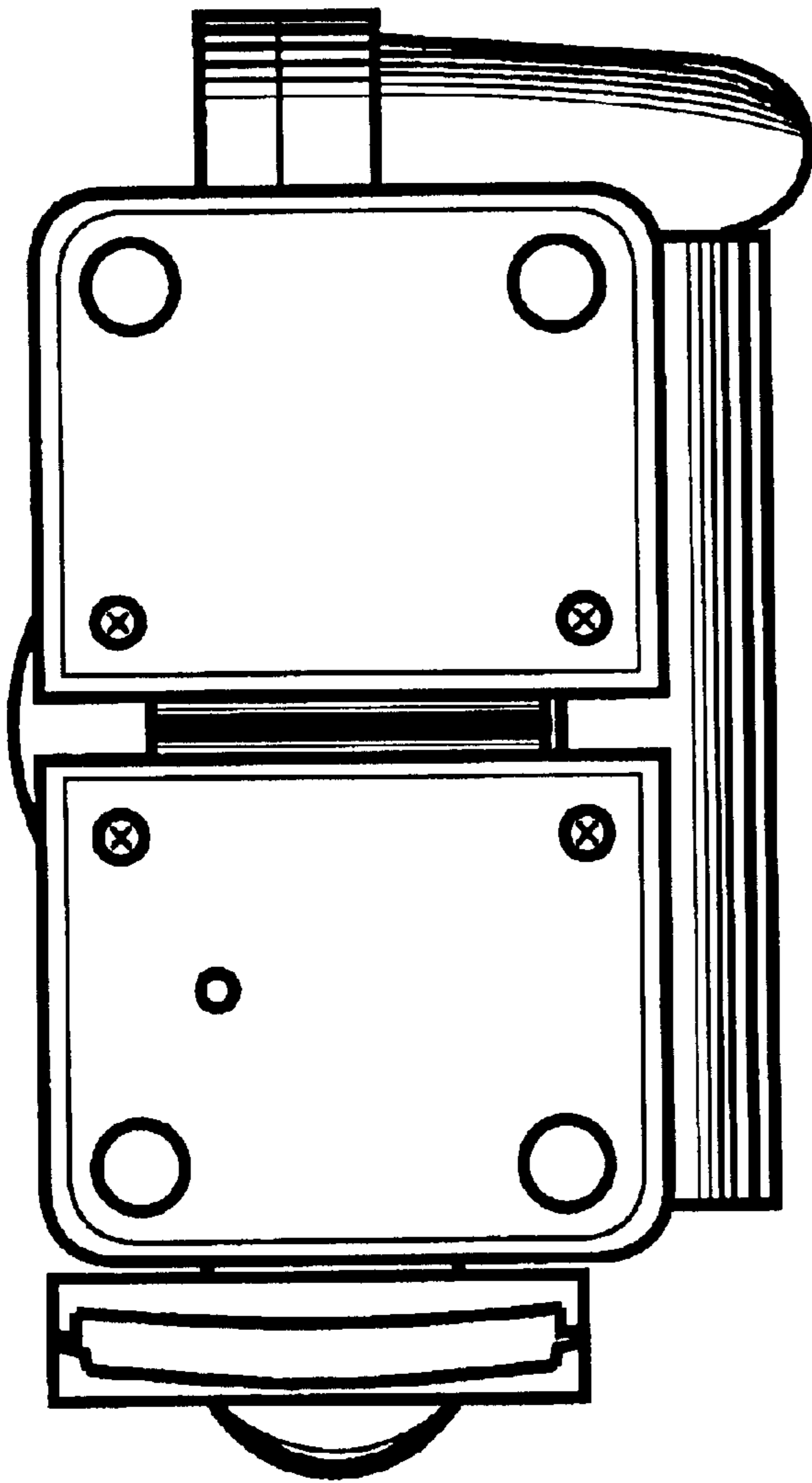


FIG. 4

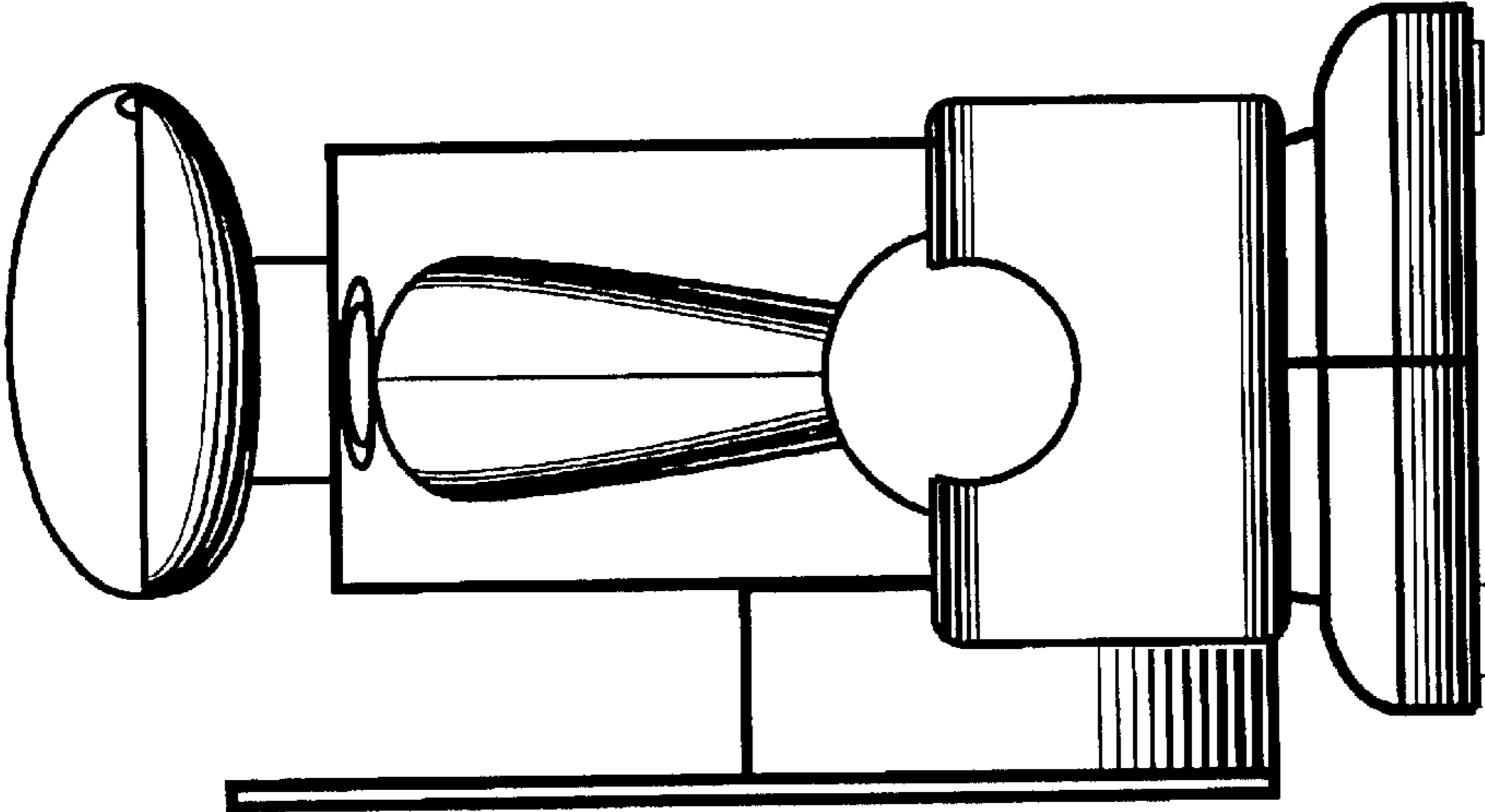


FIG. 5

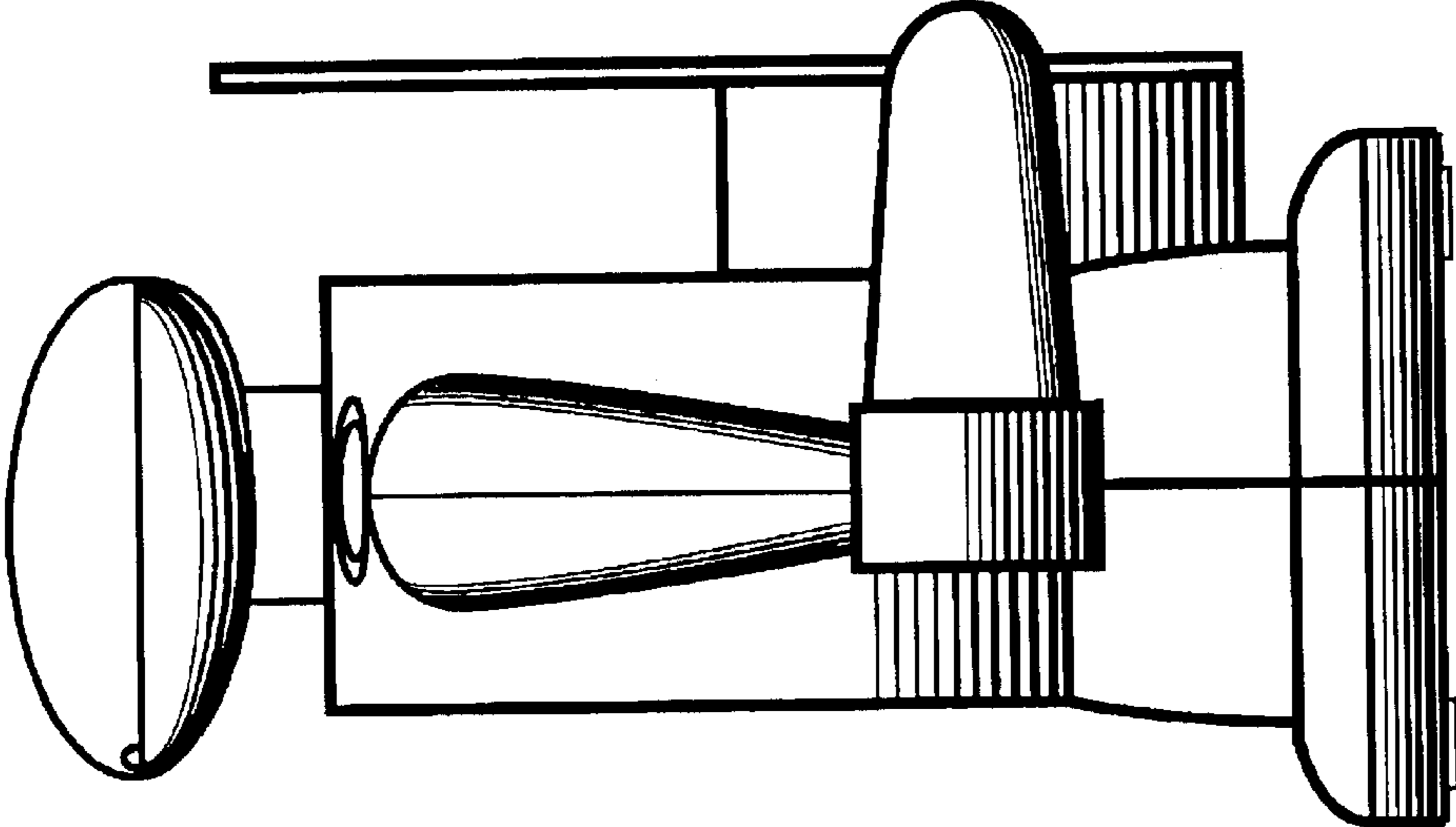


FIG. 6

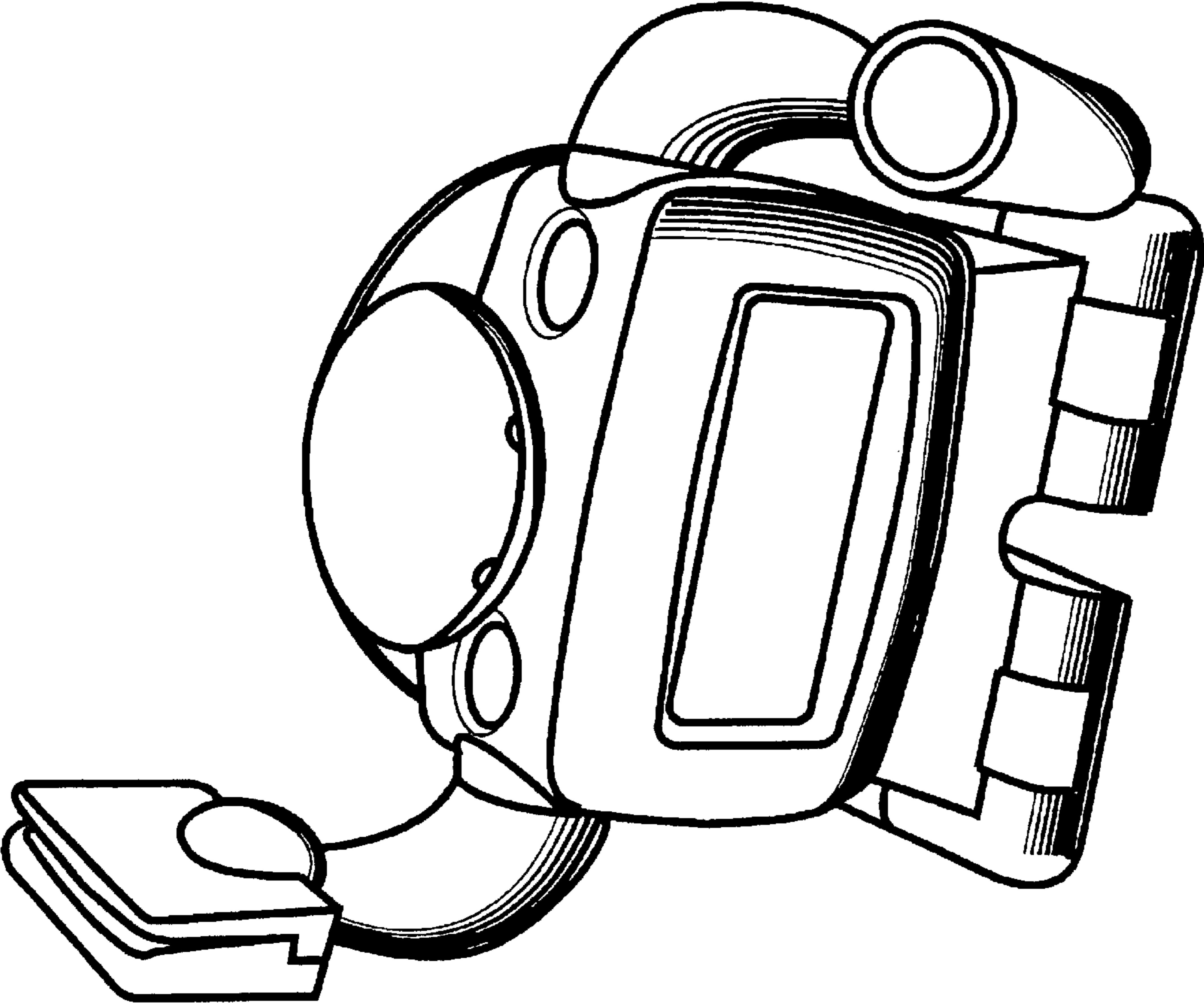


FIG. 7