

US00D499339S

(12) **United States Design Patent** (10) **Patent No.:** **US D499,339 S**
Reynolds et al. (45) **Date of Patent:** **** Dec. 7, 2004**

(54) **CONTAINER**

(75) Inventors: **John P. Reynolds**, Akron, OH (US);
Kurt M. Wolschleger, Lake Orion, MI (US)

(73) Assignee: **Plastipak Packaging, Inc.**, Plymouth, MI (US)

(**) Term: **14 Years**

(21) Appl. No.: **29/168,601**

(22) Filed: **Oct. 3, 2002**

(51) **LOC (7) Cl.** **09-03**

(52) **U.S. Cl.** **D9/528**

(58) **Field of Search** D9/499, 516-517,
D9/523, 526-528, 530-531, 572-575; 206/527,
815; 215/40, 400; 220/901, 560.04, 200,
260, 288, 890

(56) **References Cited**

U.S. PATENT DOCUMENTS

D403,578 S	*	1/1999	Paul et al.	D9/434
D413,517 S	*	9/1999	Zimny et al.	D9/528
D415,035 S	*	10/1999	Ankney et al.	D9/531
D418,423 S	*	1/2000	Lauth, III et al.	D9/531
D427,912 S	*	7/2000	Johnson et al.	D9/528
D428,817 S		8/2000	Olson et al.		
D470,056 S	*	2/2003	Schlueter	D9/531

* cited by examiner

Primary Examiner—Stella Reid
Assistant Examiner—Daniel Bui

(74) *Attorney, Agent, or Firm*—Honigman Miller Schwartz and Cohn LLP

(57) **CLAIM**

The ornamental design for a container, as shown and described.

DESCRIPTION

FIG. 1 is a perspective view of a first embodiment of the container viewed looking downwardly from the front and right side,

FIG. 2 is a right side elevation view, the left side elevation view being a mirror image of the right side elevation view shown;

FIG. 3 is a front elevation view thereof;

FIG. 4 is a rear elevation view thereof;

FIG. 5 is a bottom view thereof;

FIG. 6 is a top plan view thereof;

FIG. 7 is a perspective view of a second embodiment of the container viewed looking downwardly from the front and right side,

FIG. 8 is a right side elevation view of the container, the left side elevation view being a mirror image of the right side elevation view shown;

FIG. 9 is a front elevation view thereof;

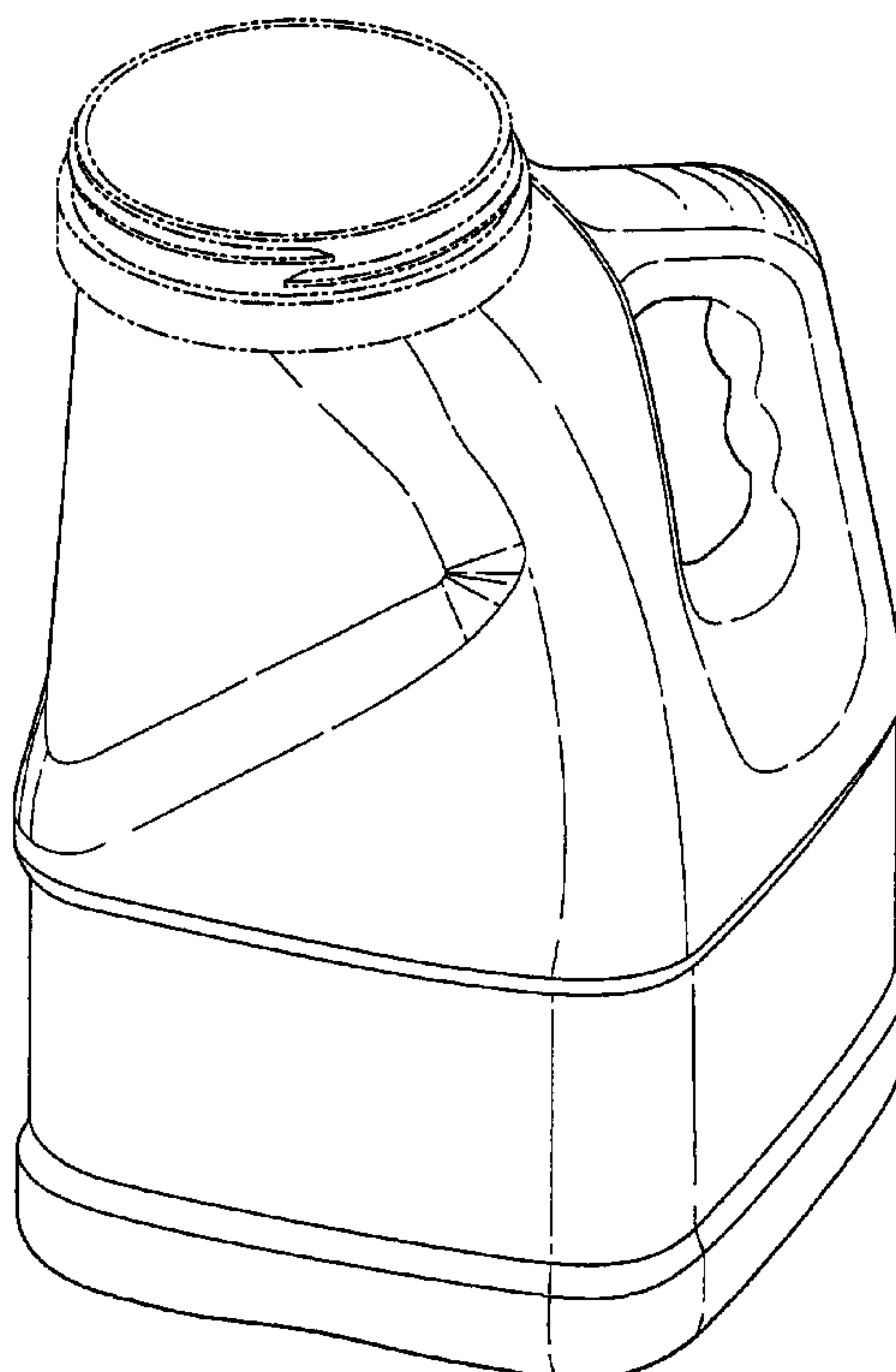
FIG. 10 is a rear elevation view thereof;

FIG. 11 is a bottom view thereof; and,

FIG. 12 is a top plan view thereof.

The broken lines in the drawings are for illustrative purposes only and do not form a part of the claimed design.

1 Claim, 10 Drawing Sheets



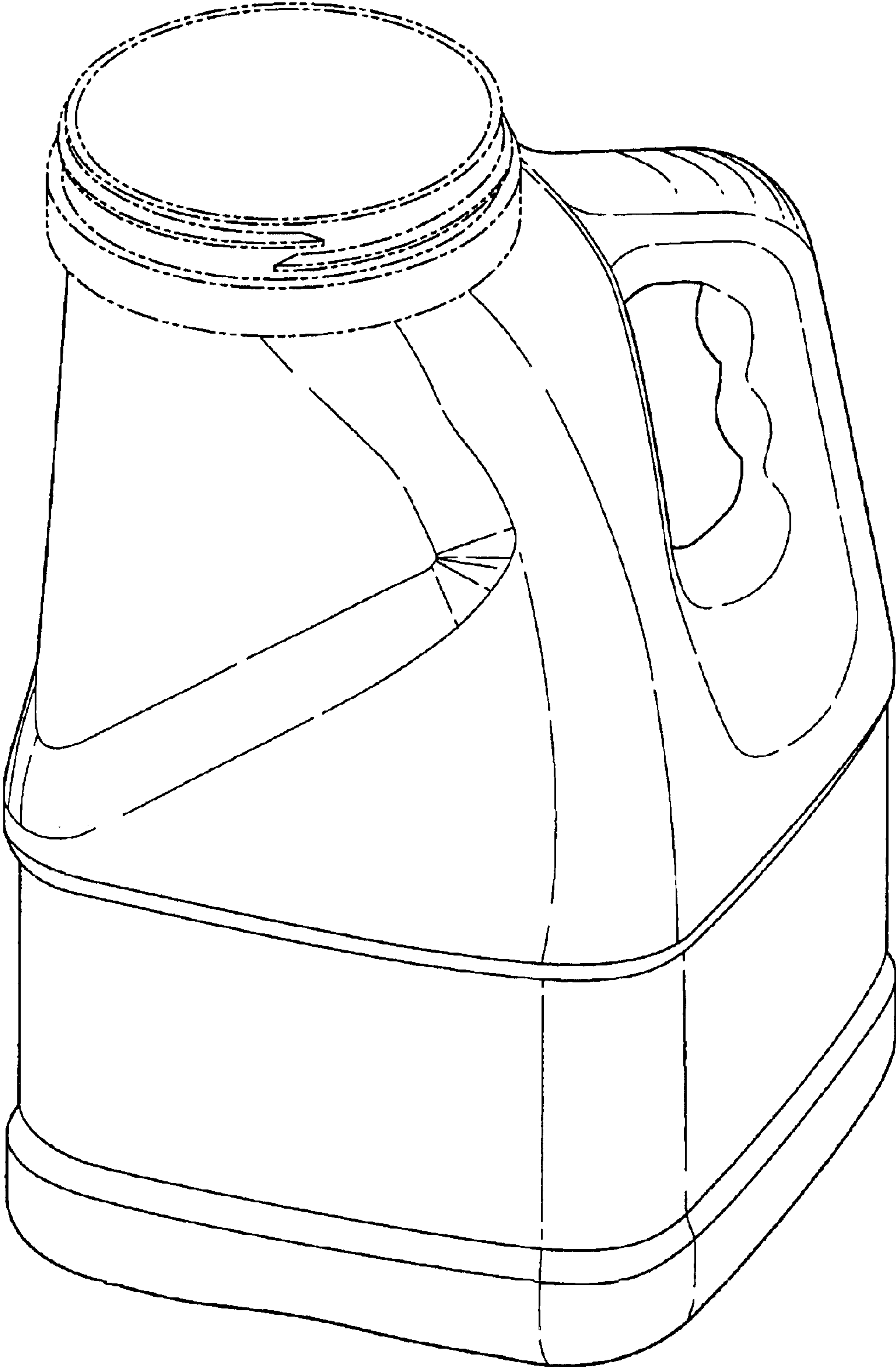


FIG - 1

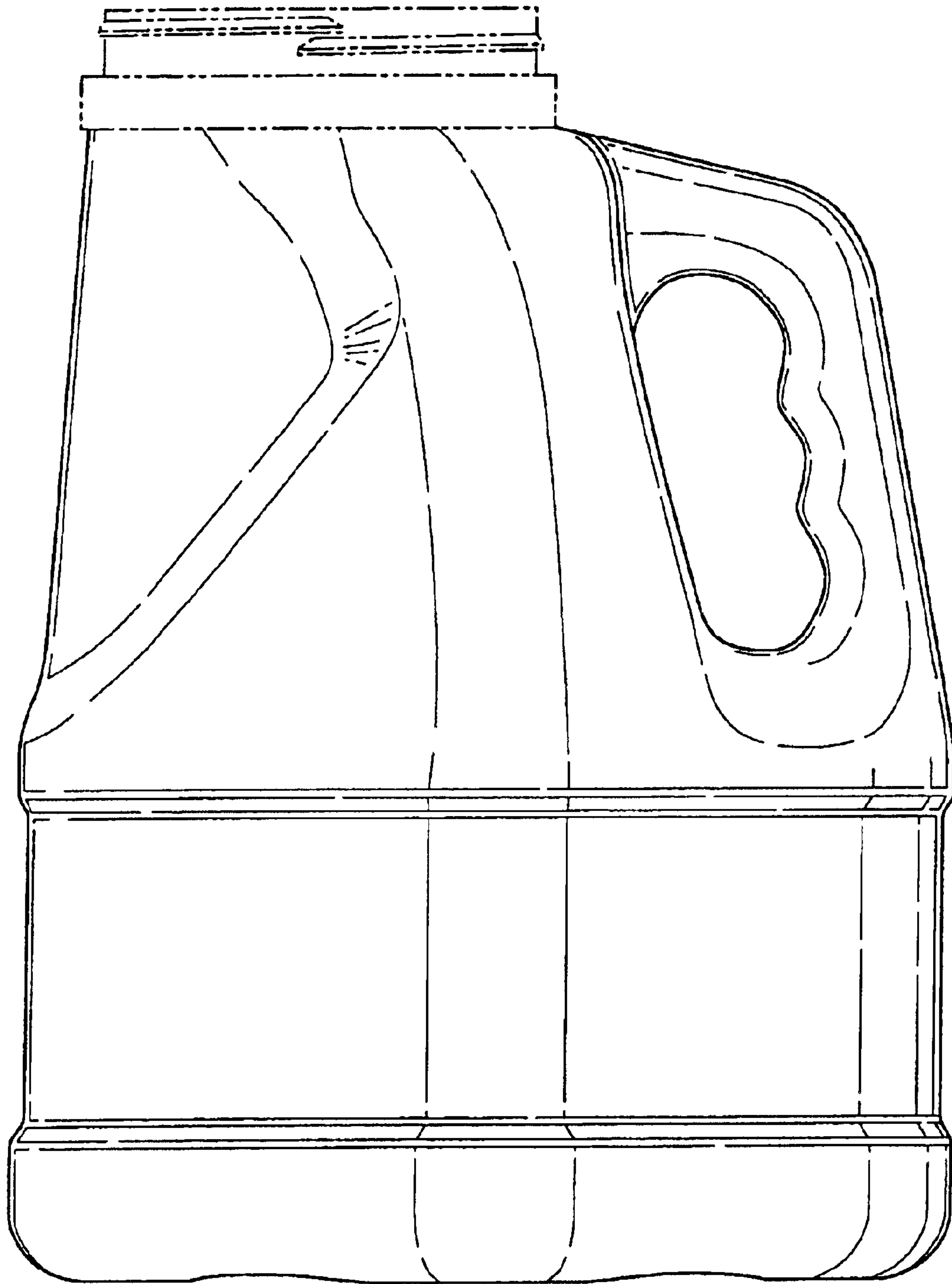


FIG - 2

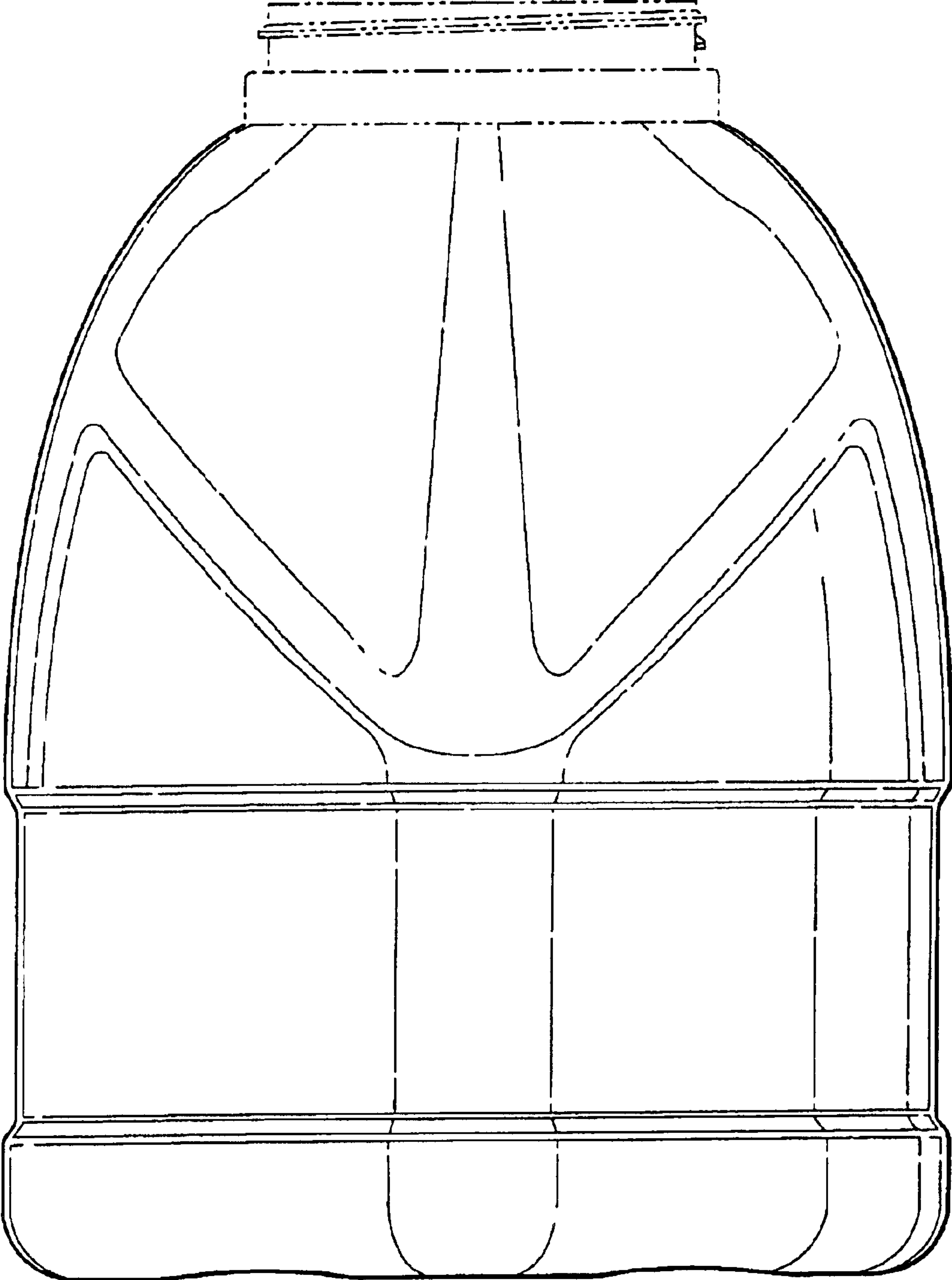


FIG - 3

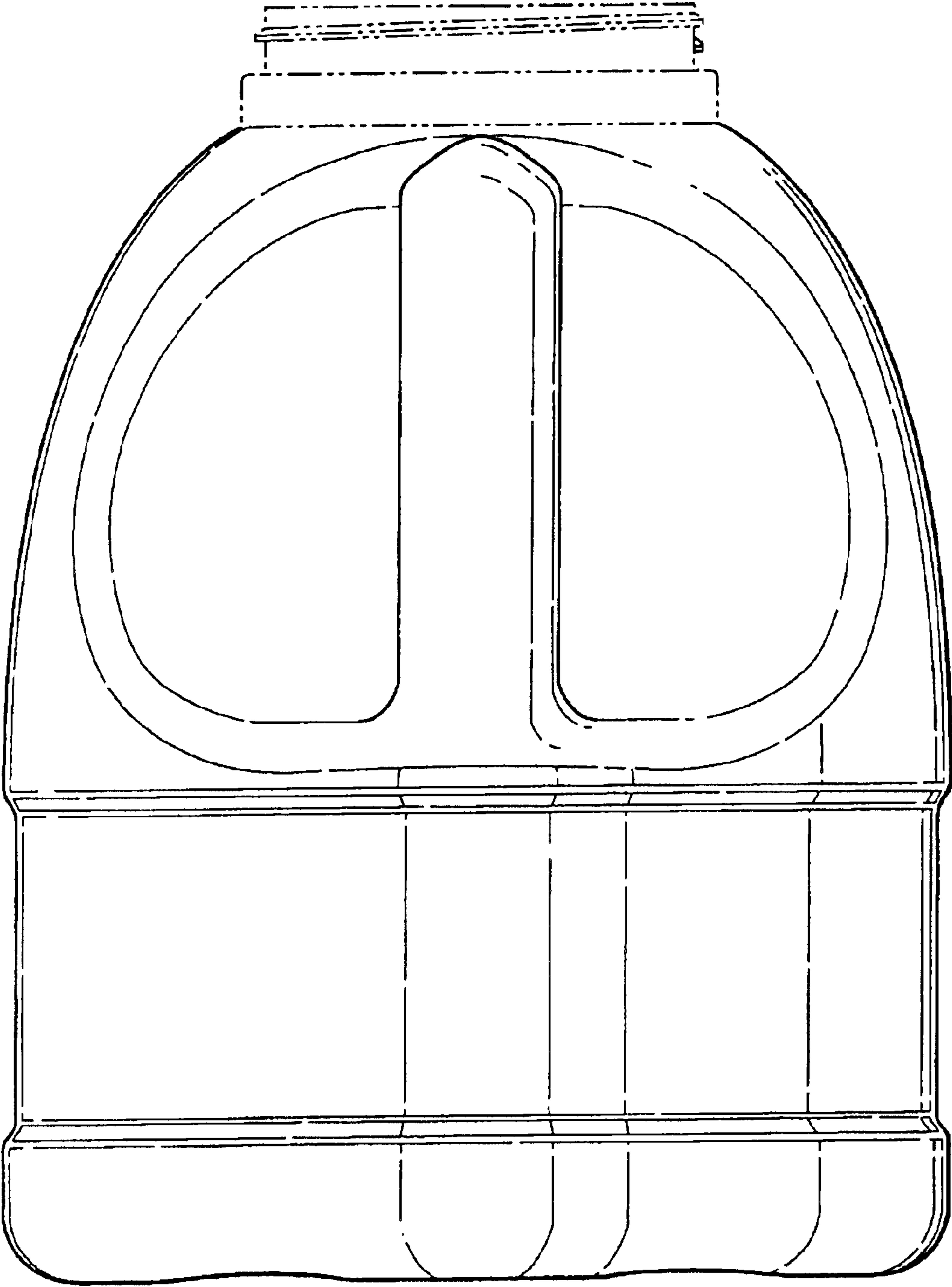


FIG - 4

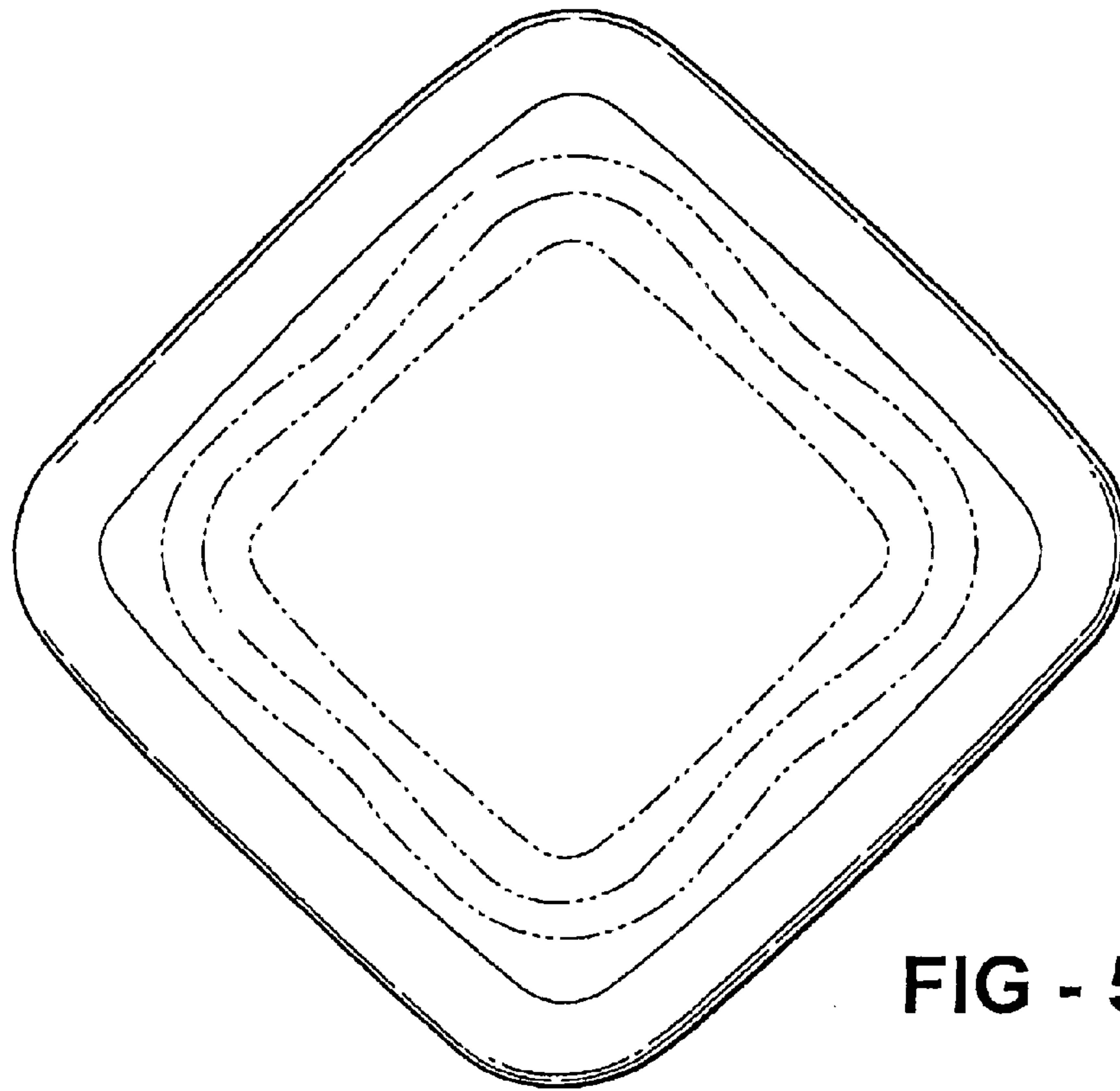


FIG - 5

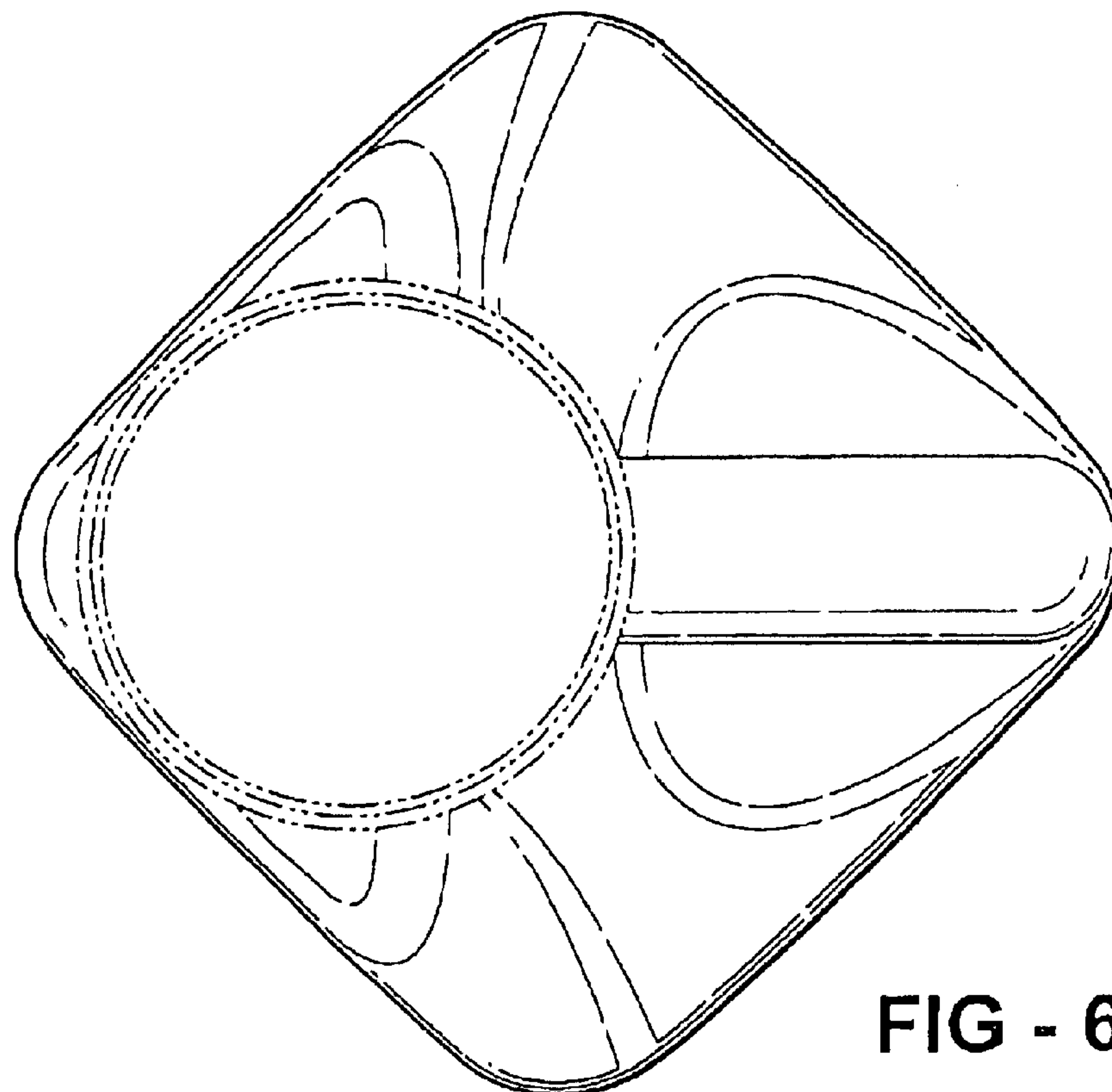


FIG - 6

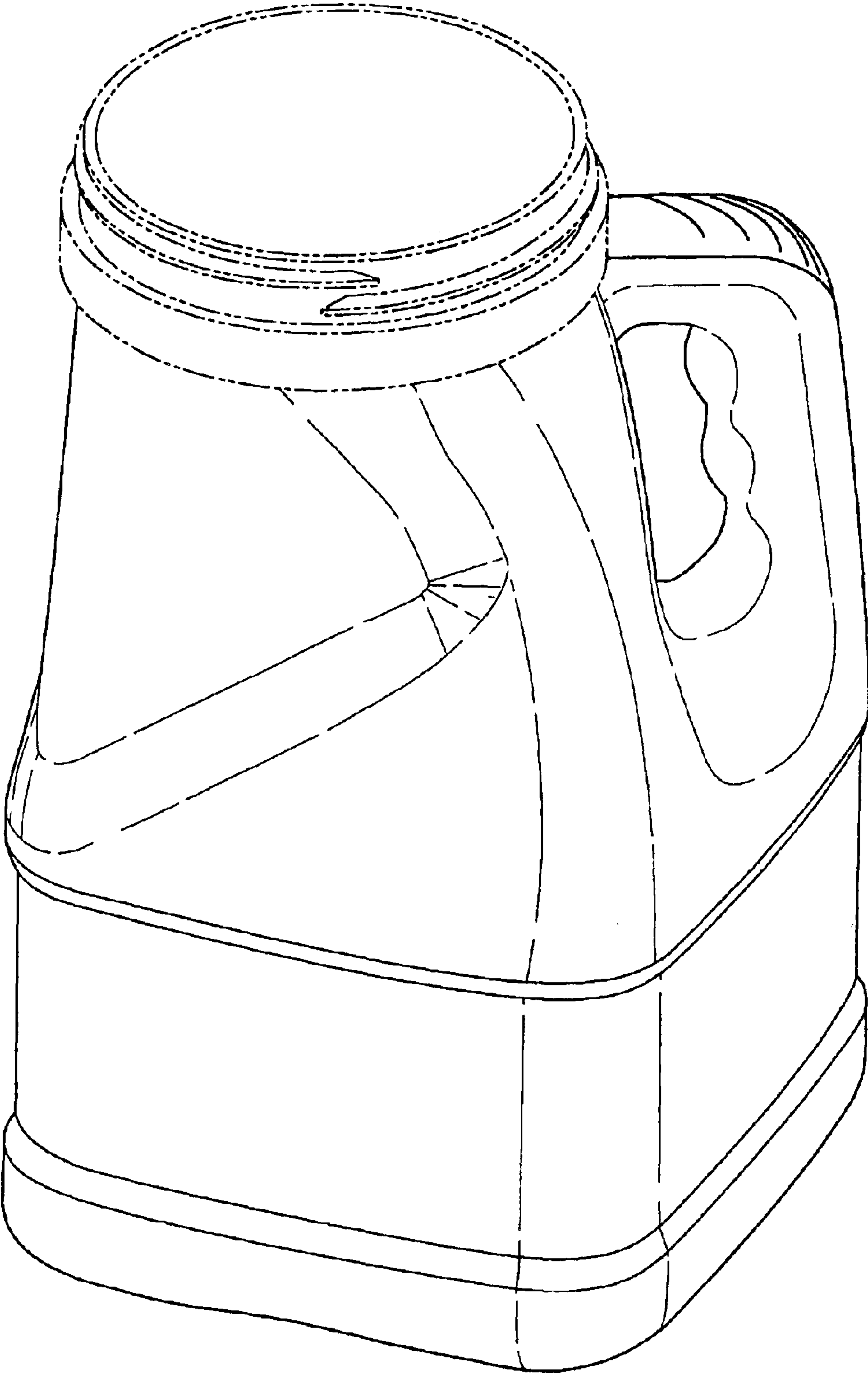


FIG - 7

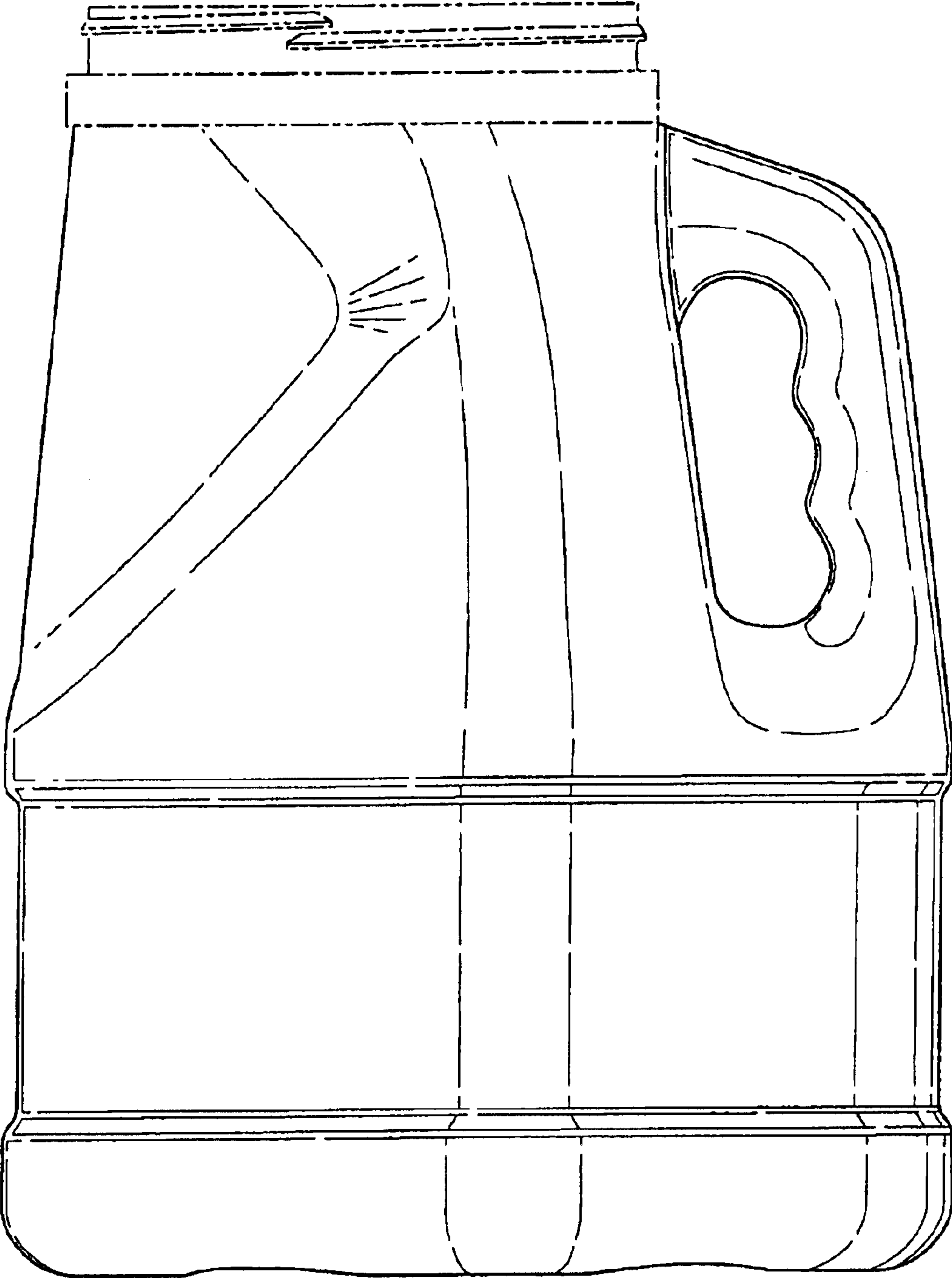


FIG - 8

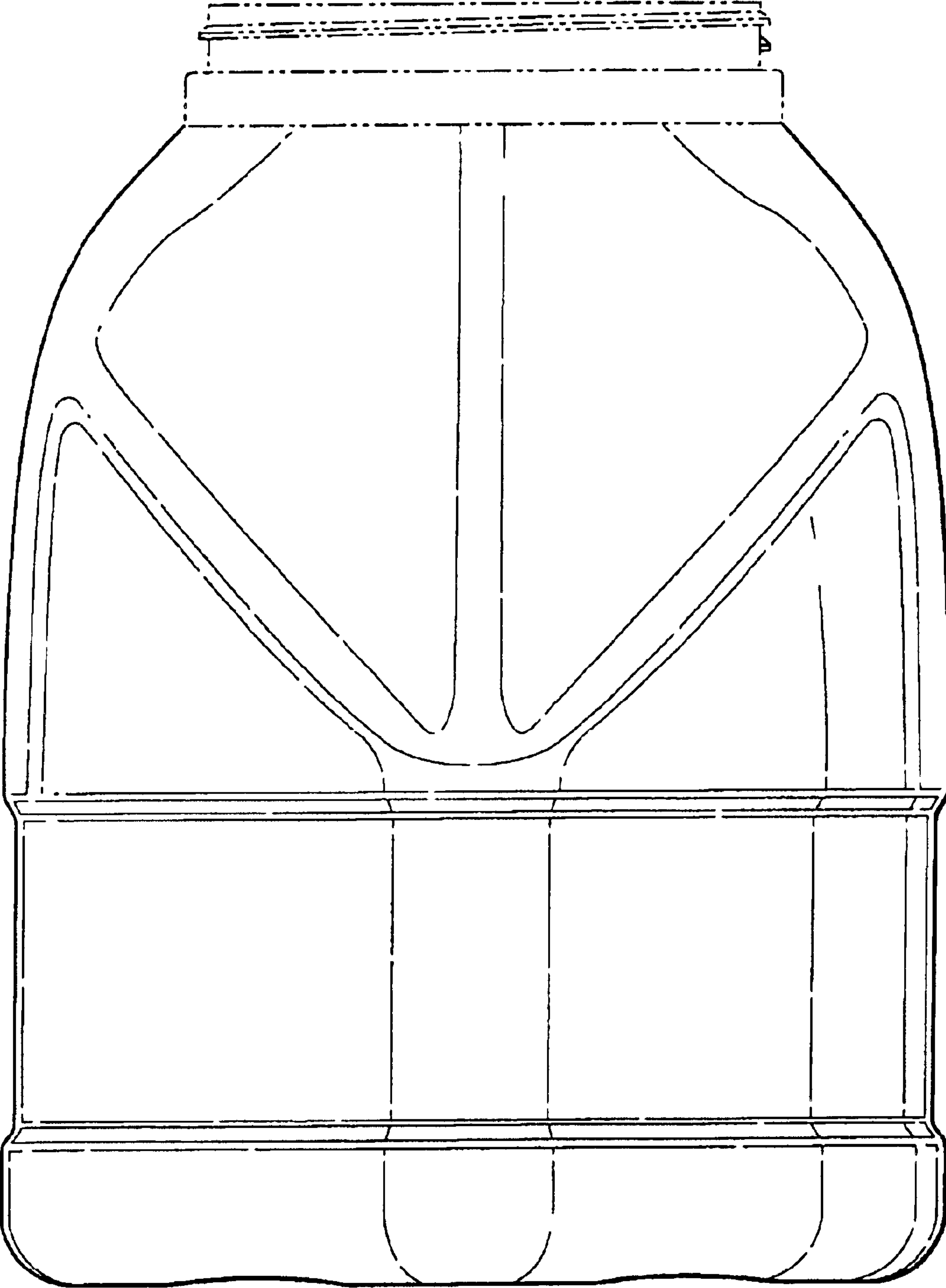


FIG - 9

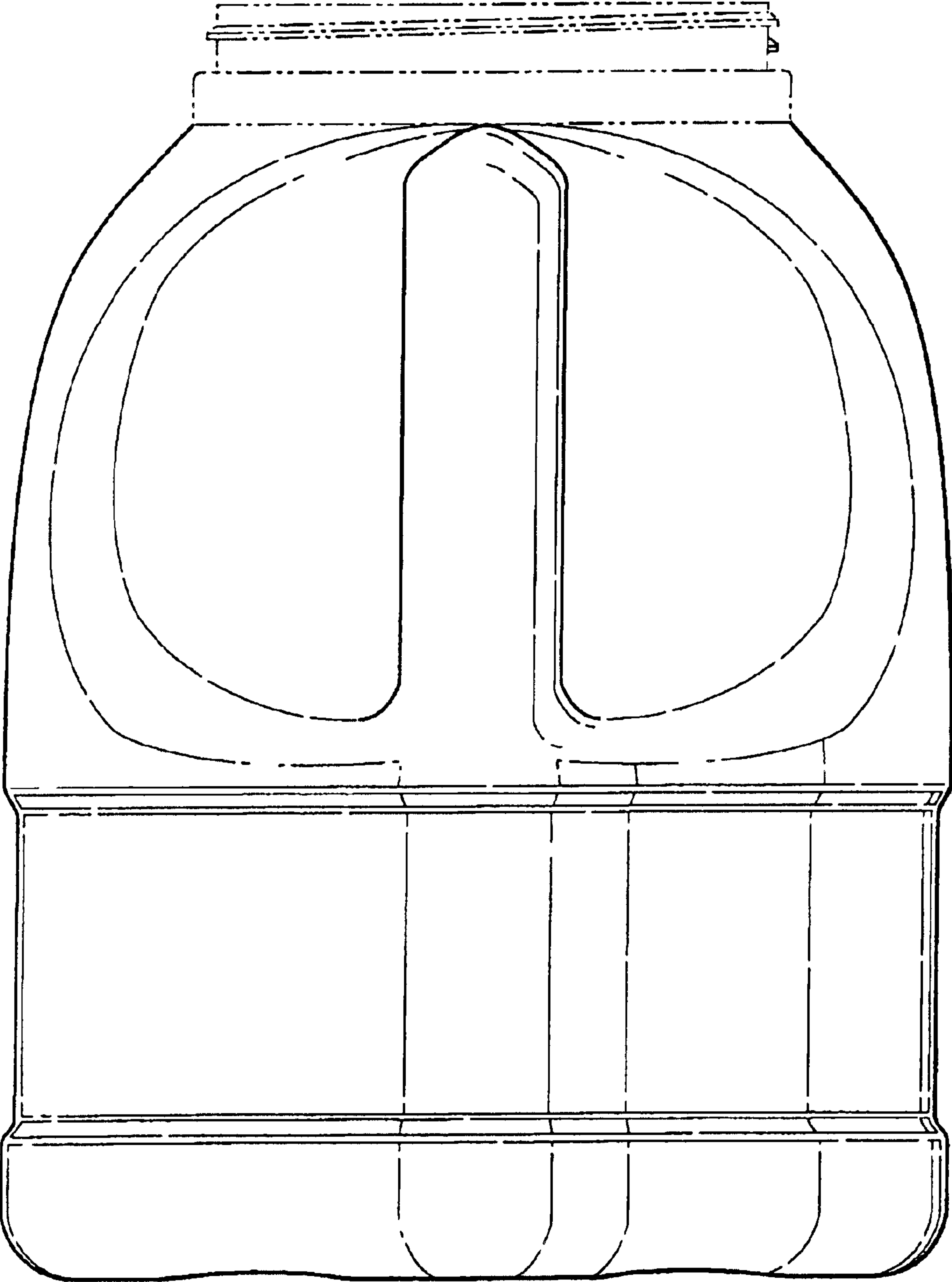


FIG - 10

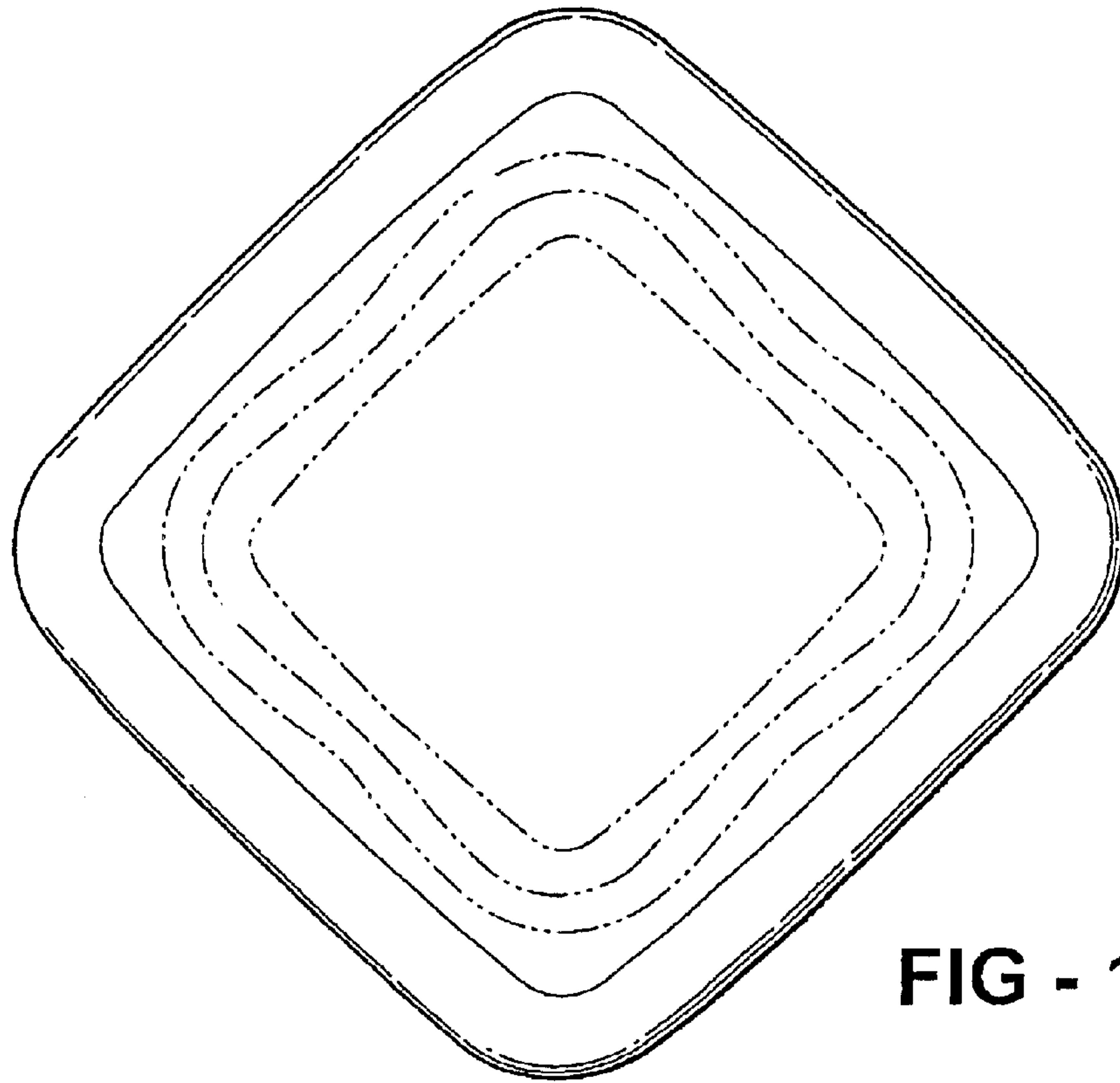


FIG - 11

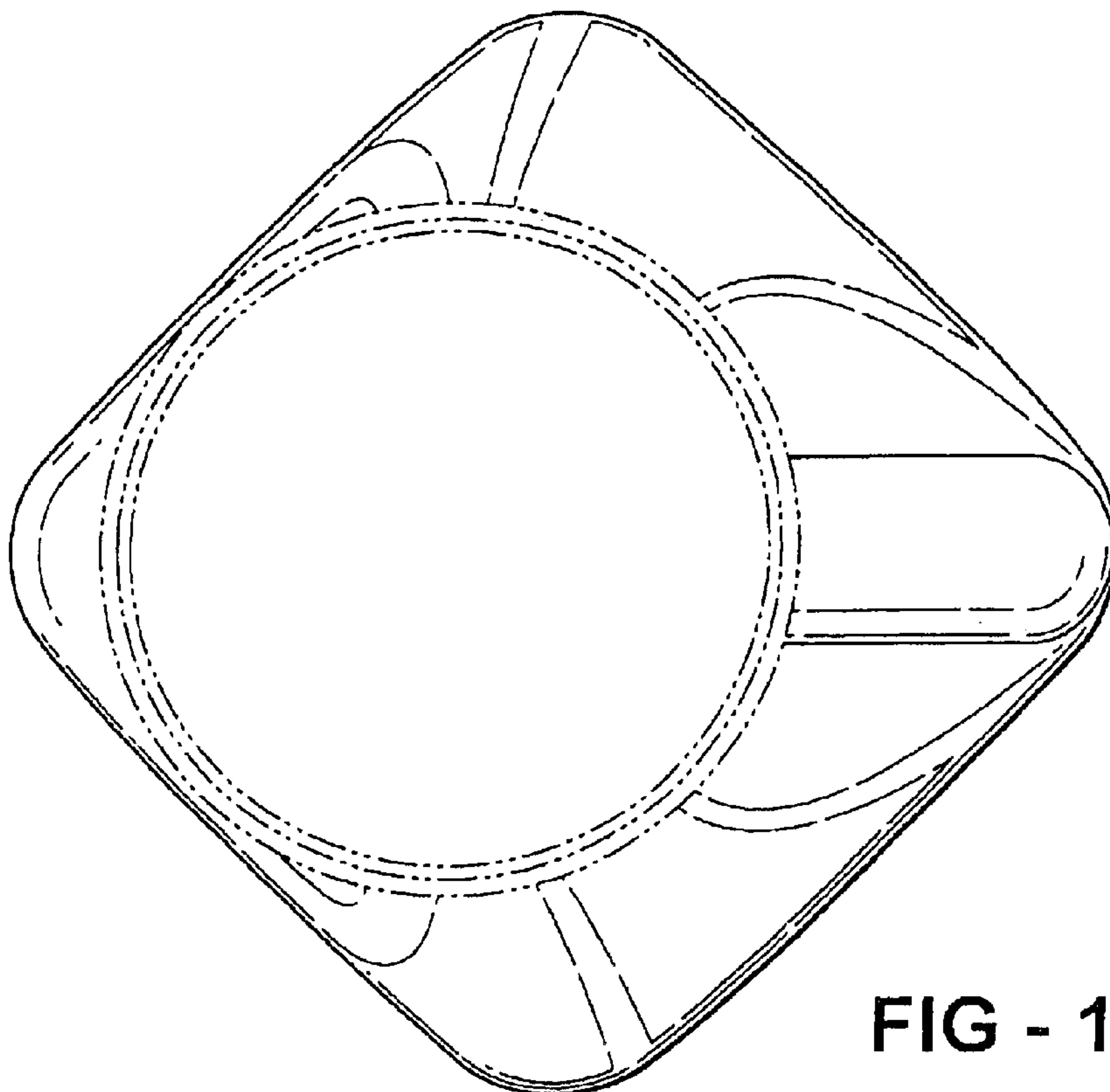


FIG - 12