

US00D499332S

(12) **United States Design Patent**
Rizzo

(10) **Patent No.:** **US D499,332 S**
(45) **Date of Patent:** **** Dec. 7, 2004**

- (54) **PRIMARY ROOF SNOW AND ICE BREAKING AND HOLDING DEVICE**
- (75) Inventor: **Jeffrey L. Rizzo**, Charlevoix, MI (US)
- (73) Assignee: **Sno-Hold, L.L.C.**, Charlevoix, MI (US)
- (**) Term: **14 Years**
- (21) Appl. No.: **29/201,997**
- (22) Filed: **Mar. 24, 2004**
- (51) **LOC (7) Cl.** **08-99**
- (52) **U.S. Cl.** **D8/499**
- (58) **Field of Search** D8/499, 400; 52/24, 52/26; D25/199

- 6,266,929 B1 7/2001 Cline
- D453,678 S 2/2002 McMullen
- D455,068 S 4/2002 Mullane
- D457,423 S 5/2002 Mullane
- D475,613 S 6/2003 Mullane
- D482,604 S * 11/2003 Smeja et al. D8/499

* cited by examiner

Primary Examiner—Brian N Vinson

(74) *Attorney, Agent, or Firm*—Douglas S. Bishop

(57) **CLAIM**

The ornamental design for a primary roof snow and ice breaking and holding device, as shown.

DESCRIPTION

FIG. 1 is a perspective view of the complimentary roof snow and ice breaking and holding device, of the present invention;

FIG. 2 is a first end plan view of the complimentary roof snow and ice breaking and holding device, of FIG. 1.

FIG. 3 is a top plan view of the complimentary roof snow and ice breaking and holding device, of FIG. 1.

FIG. 4 is a side plan view of the complimentary roof snow and ice breaking and holding device, of FIG. 1.

FIG. 5 is a bottom plan view of the complimentary roof snow and ice breaking and holding device, of FIG. 1; and,

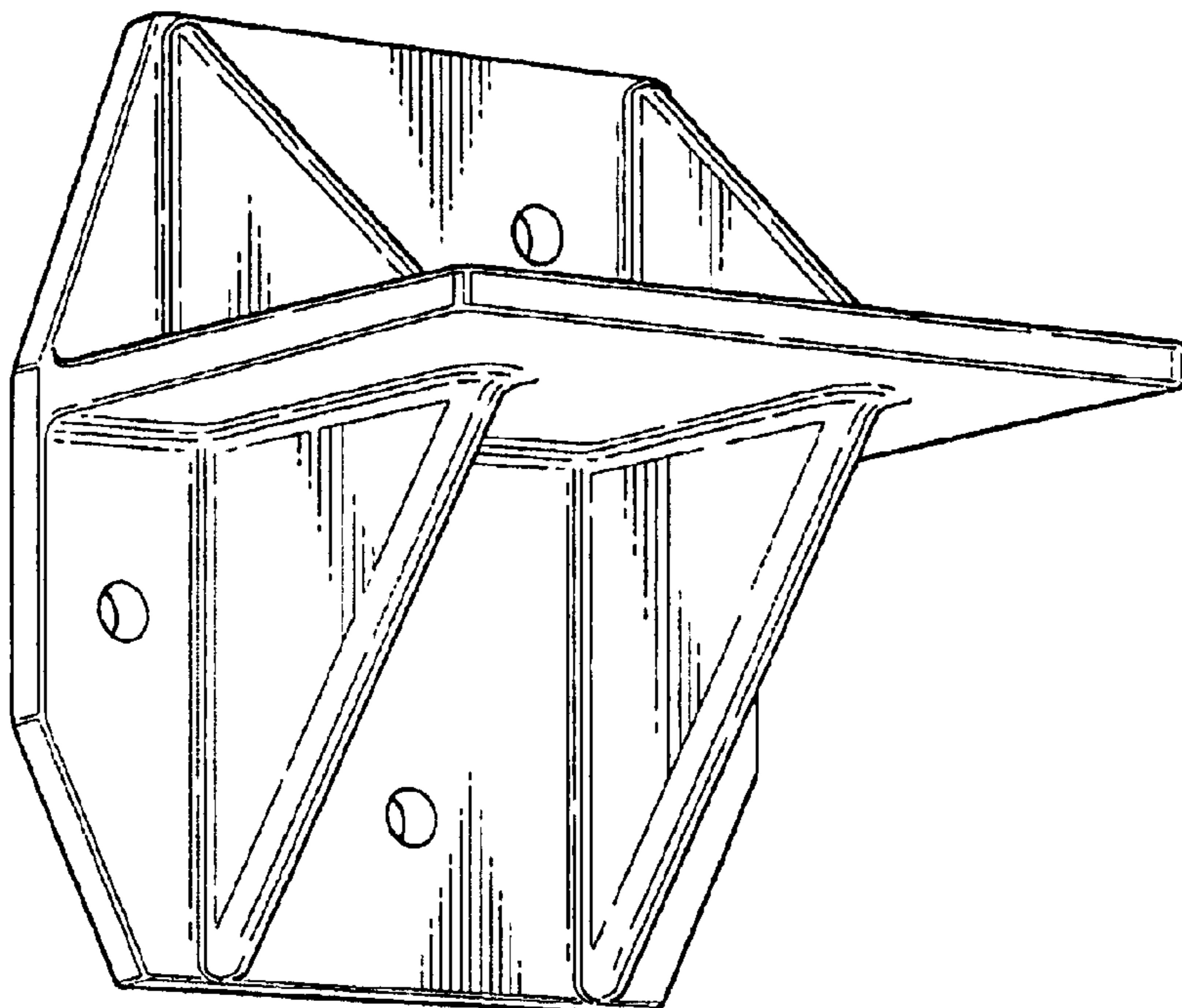
FIG. 6 is a second end plan view of the complimentary roof snow and ice breaking and holding device, as seen from the opposite side of the side plan view shown in FIG. 2.

1 Claim, 2 Drawing Sheets

(56) **References Cited**

U.S. PATENT DOCUMENTS

625,144 A	5/1899	Clark	
1,463,065 A	7/1923	Sieger	
3,296,750 A	1/1967	Zaleski	
D254,051 S	1/1980	Zaleski	
D314,506 S	2/1991	McMullen	
5,349,791 A	9/1994	Zaleski	
D364,556 S	11/1995	Lee et al.	
5,471,799 A	* 12/1995	Smeja et al.	52/24
5,570,557 A	11/1996	Kwiatkowski et al.	
5,664,374 A	* 9/1997	Lee	52/24
5,711,114 A	1/1998	Mueller	
D418,403 S	1/2000	Cline	
D419,863 S	2/2000	Mullane	



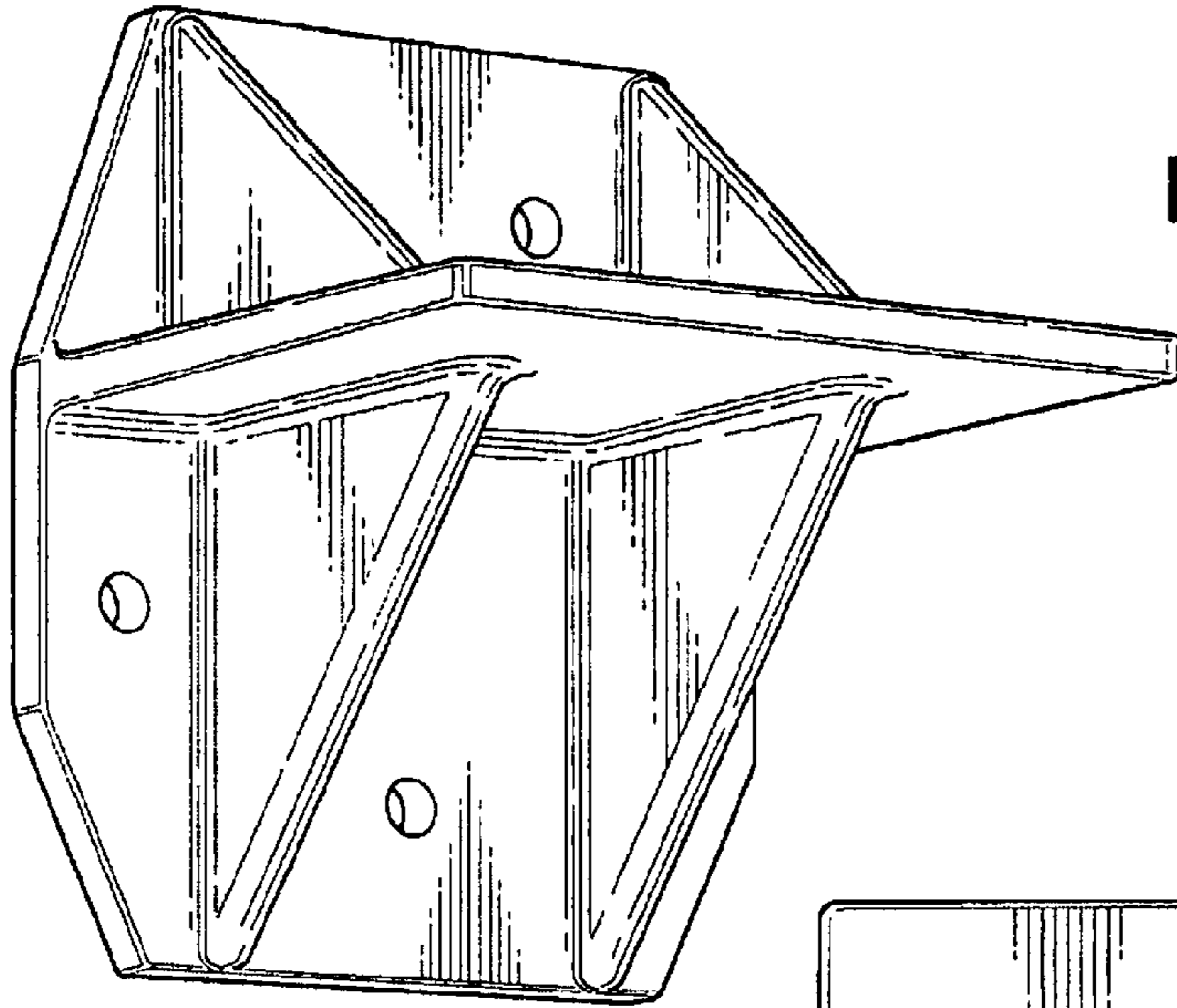


FIG - 1

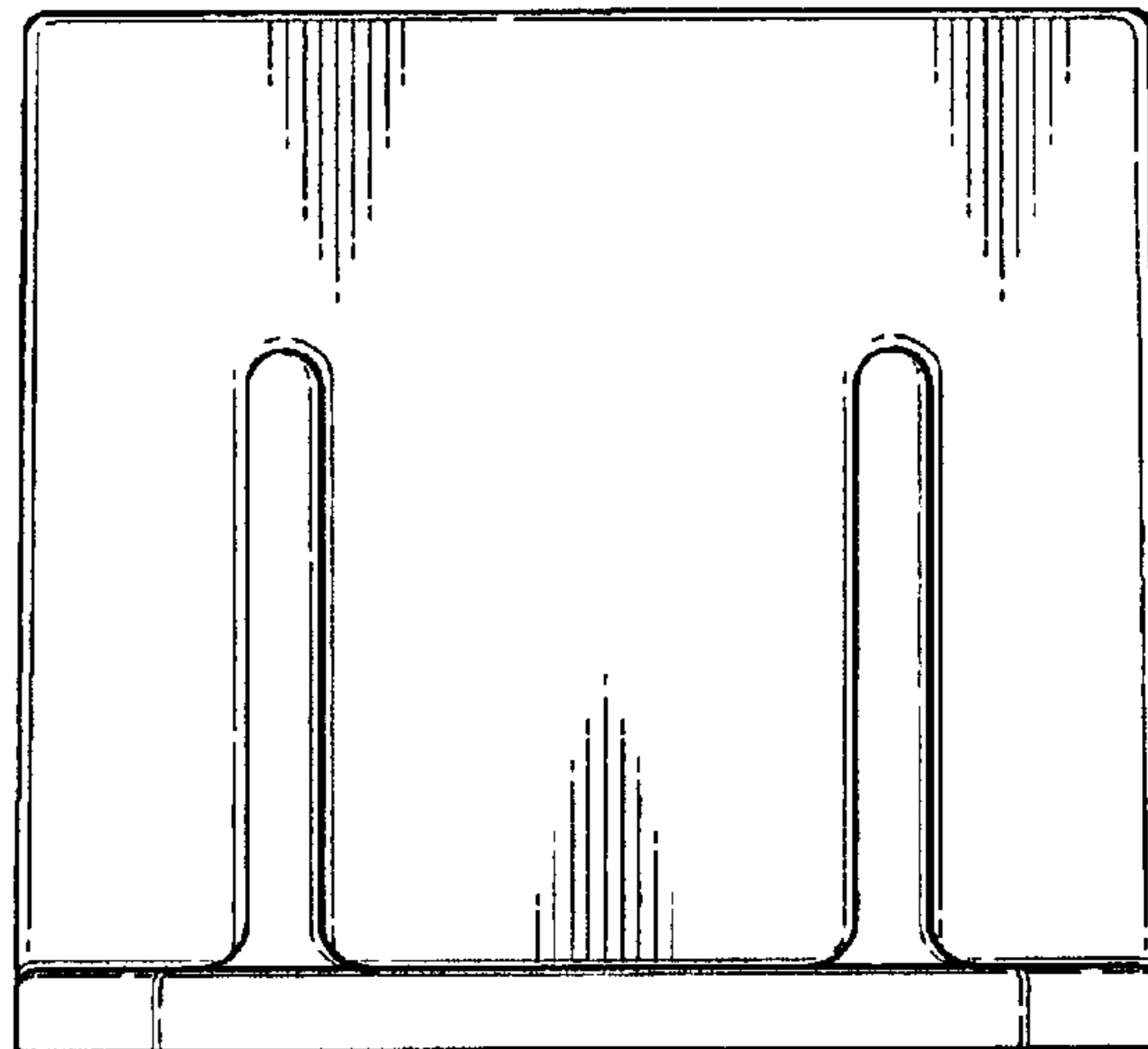


FIG - 2

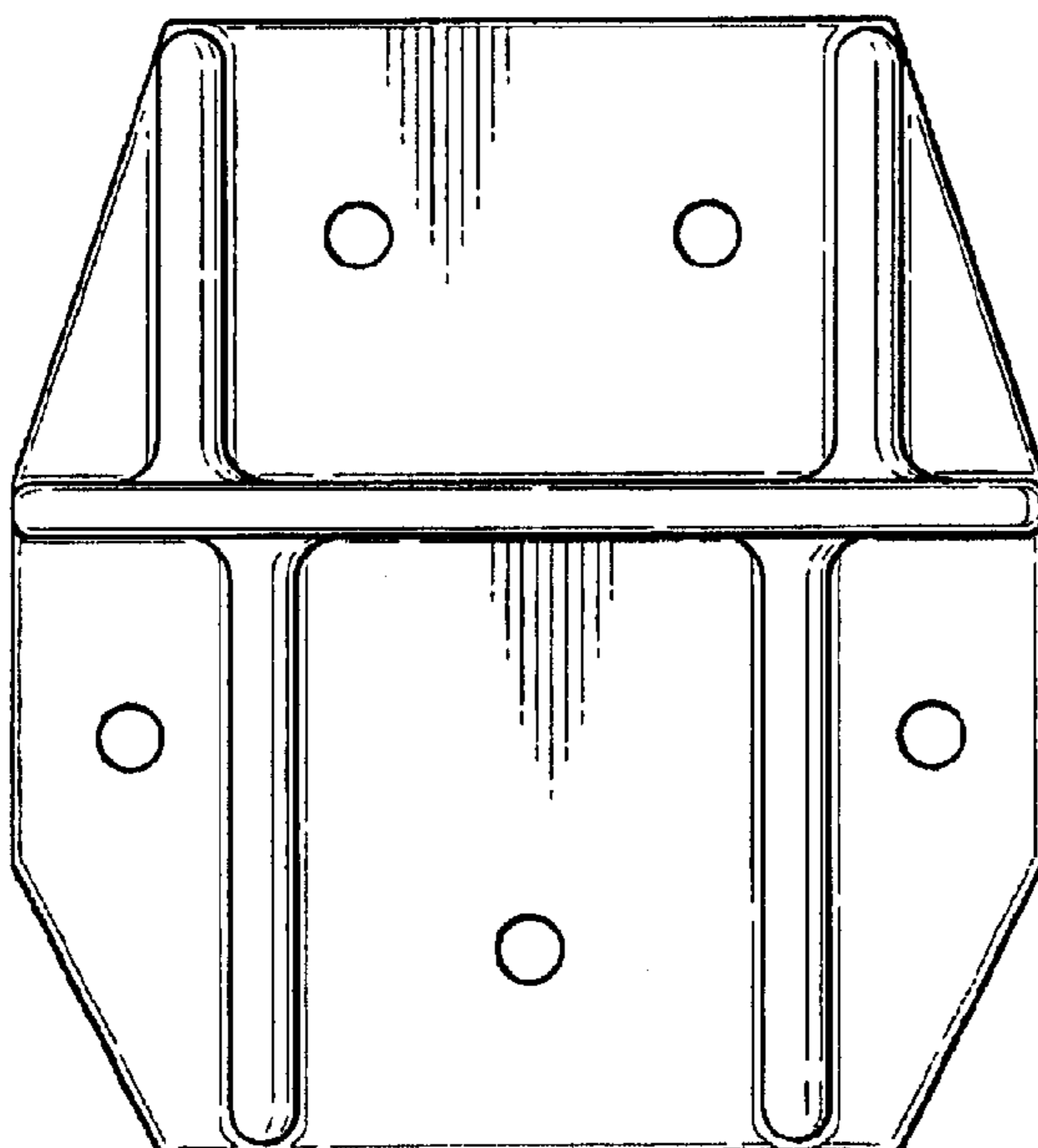


FIG - 3

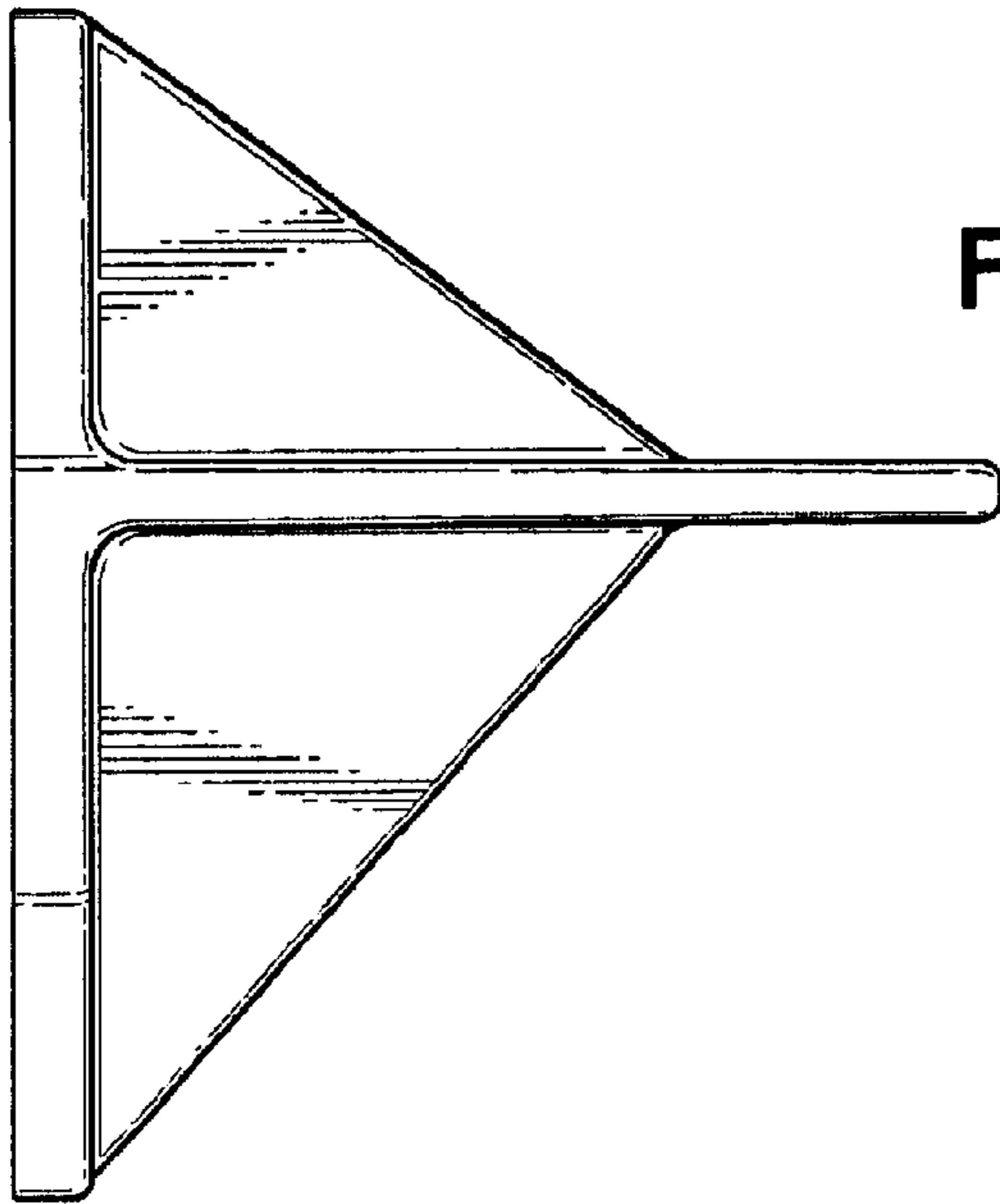


FIG - 4

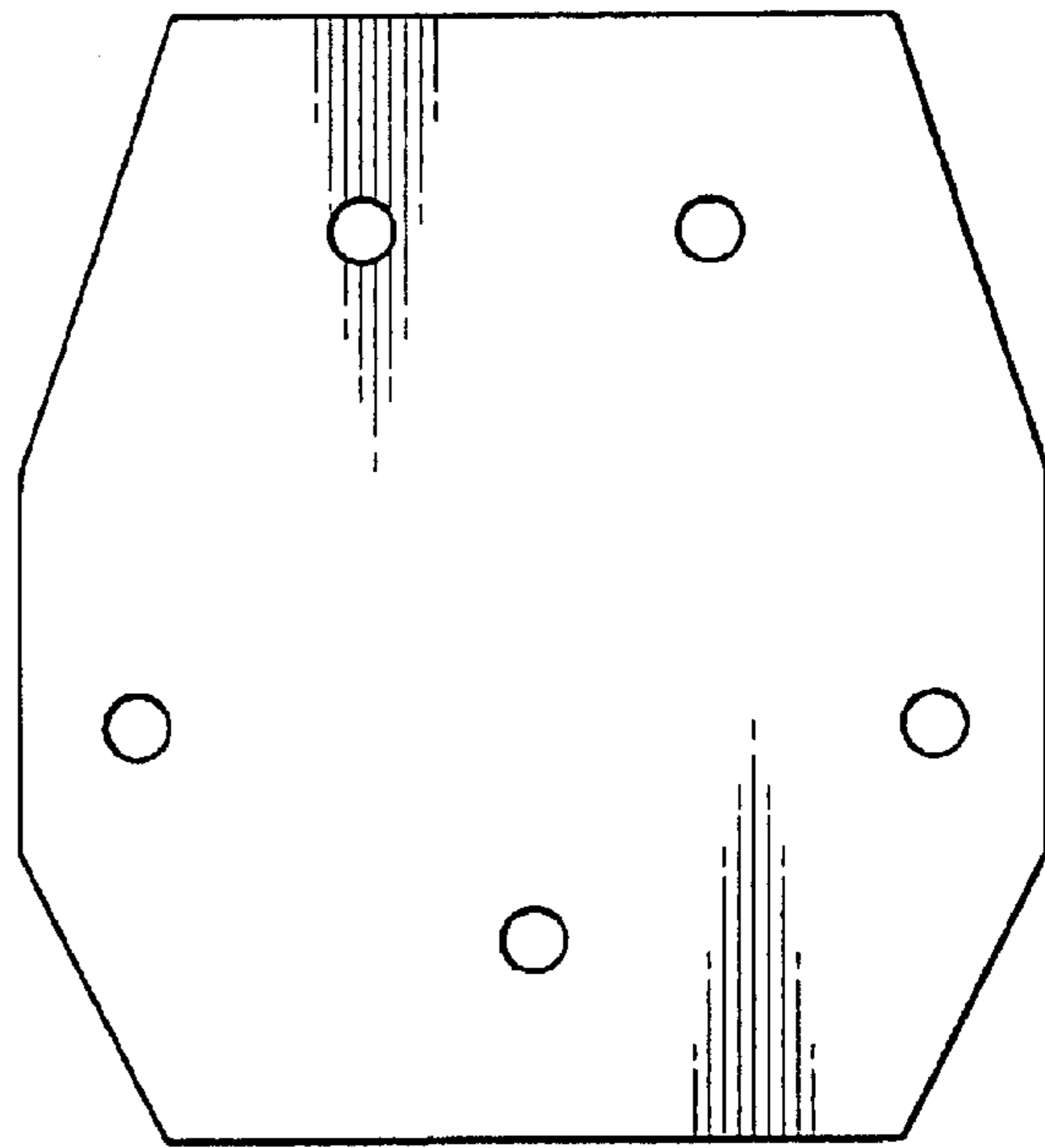


FIG - 5

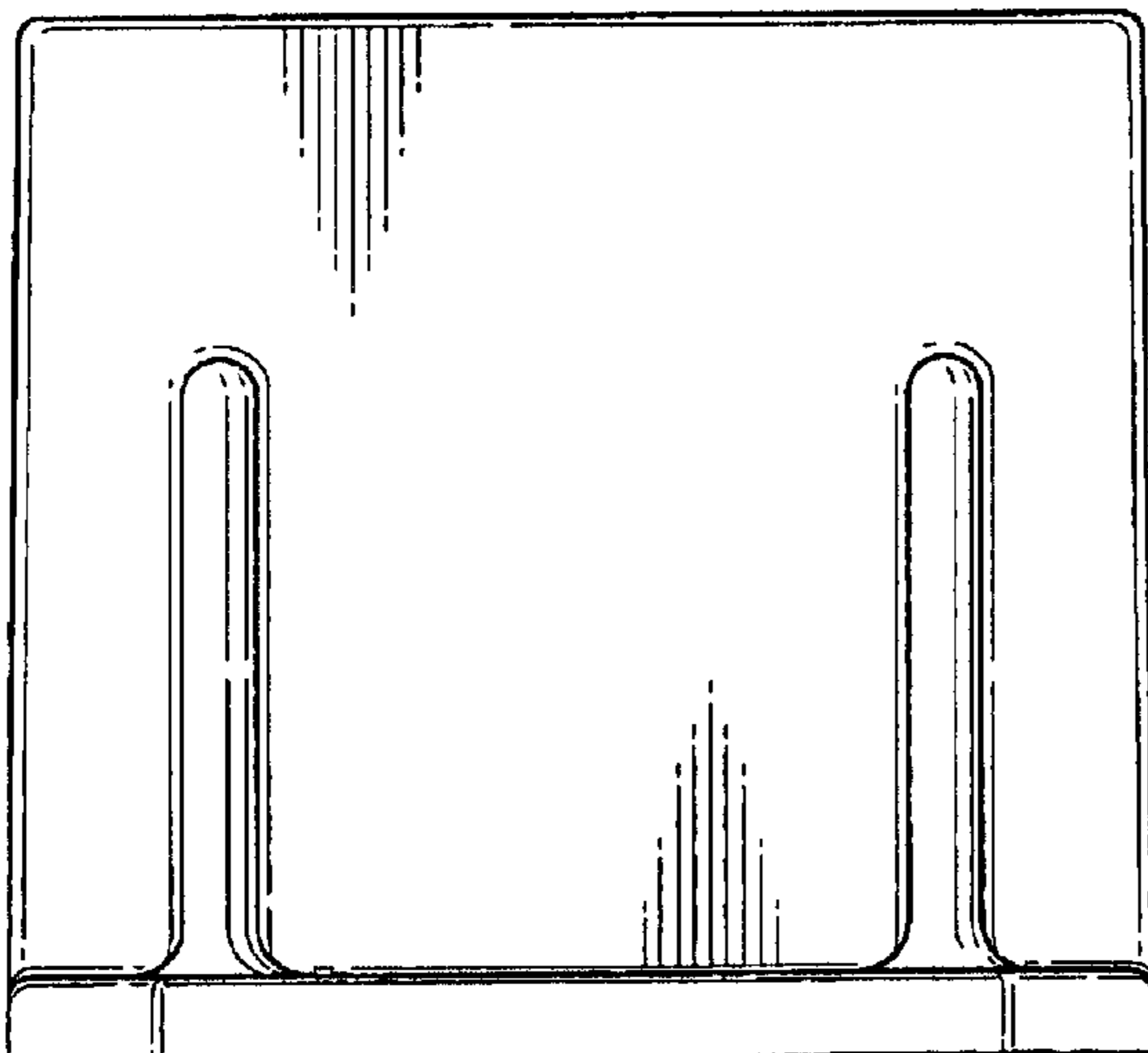


FIG - 6