



US00D499331S

(12) **United States Design Patent** (10) **Patent No.:** **US D499,331 S**
Dressler (45) **Date of Patent:** **** Dec. 7, 2004**

- (54) **STAR-SHAPED SNOW GUARD**
- (75) Inventor: **Robert D. Dressler**, Mechanicsburg, PA (US)
- (73) Assignee: **Amerimax Home Products, Inc.**, Lancaster, PA (US)
- (**) Term: **14 Years**
- (21) Appl. No.: **29/190,427**
- (22) Filed: **Sep. 17, 2003**
- (51) **LOC (7) Cl.** **08-99**
- (52) **U.S. Cl.** **D8/499**
- (58) **Field of Search** D8/400, 499; 52/24, 52/26; D25/199

- D457,423 S * 5/2002 Mullane D8/499
- D475,613 S * 6/2003 Mullane D8/499
- D482,604 S * 11/2003 Smeja et al. D8/499

OTHER PUBLICATIONS

Seiger Snow Guards website“www.siegersnowguards.com”.

* cited by examiner

Primary Examiner—Brian N Vinson

(74) *Attorney, Agent, or Firm*—Miller Law Group, PLLC

(57) **CLAIM**

The ornamental design for a star-shaped snow guard, as shown and described.

DESCRIPTION

FIG. 1 is an elevational view of a star-shaped snow guard showing my new design, taken perpendicularly to the major axis of the base member;

FIG. 2 is a bottom plan view thereof;

FIG. 3 is a side elevational view thereof;

FIG. 4 is a top plan view thereof, taken along the axis of the body member;

FIG. 5 is an elevational view thereof, taken perpendicularly to the body member of the snow guard, corresponding to lines 5—5 of FIG. 3; and,

FIG. 6 is an elevational view thereof, taken perpendicularly to the body member of the snow guard, corresponding to lines 6—6 of FIG. 3.

(56) **References Cited**

U.S. PATENT DOCUMENTS

97,316 A	11/1869	Rogers	
473,512 A	4/1892	Laird	
2,079,768 A	5/1937	Levow	108/27
D351,989 S	* 11/1994	Cline et al.	D8/499
D364,338 S	* 11/1995	Cline	D8/499
5,471,799 A	* 12/1995	Smeja et al.	52/24
5,522,185 A	6/1996	Cline	52/24
D372,421 S	8/1996	Cline	D8/499
D418,403 S	* 1/2000	Cline	D8/499
D419,863 S	* 2/2000	Mullane	D8/499
6,266,929 B1	* 7/2001	Cline	52/24

1 Claim, 3 Drawing Sheets

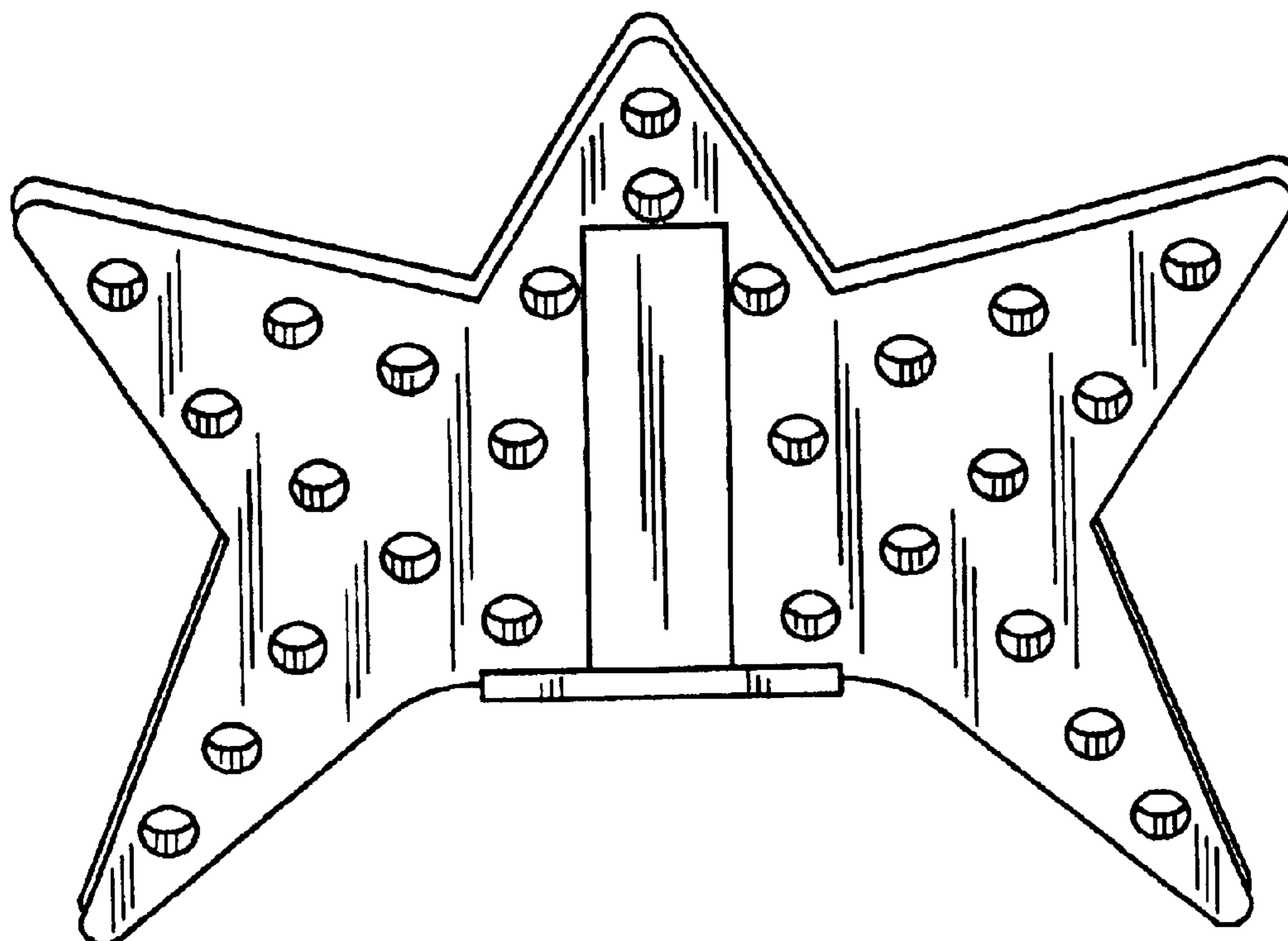


Fig. 1

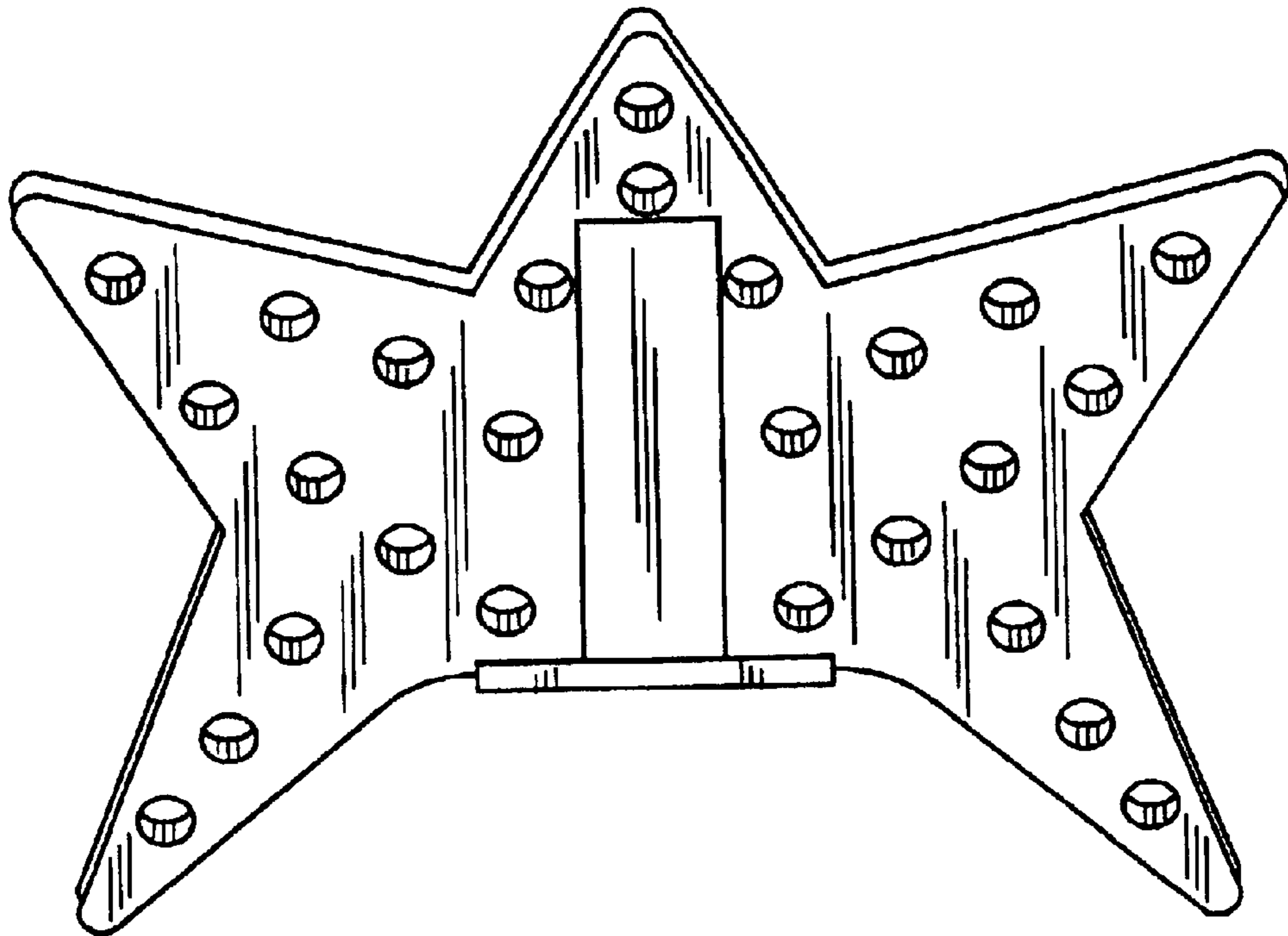
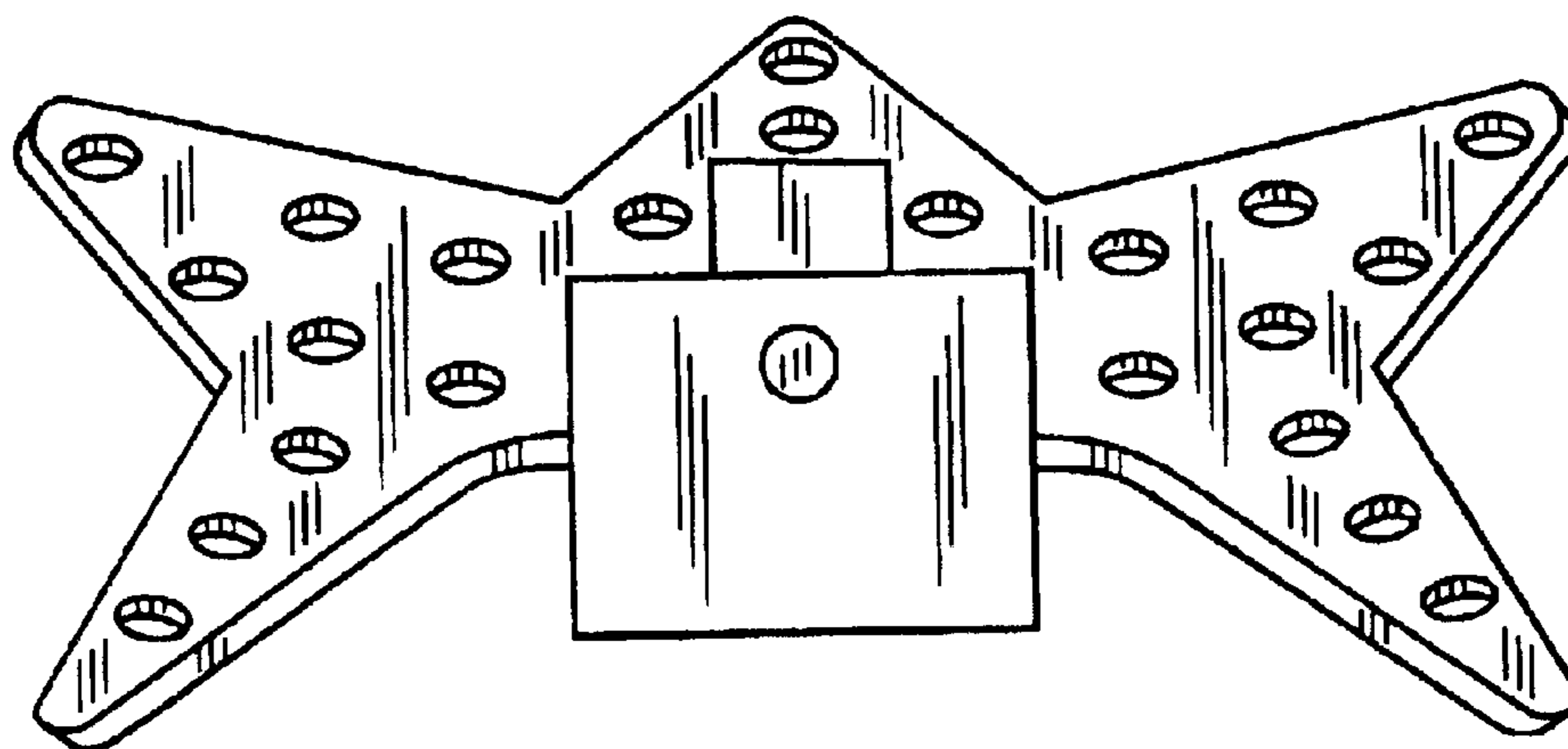


Fig. 2



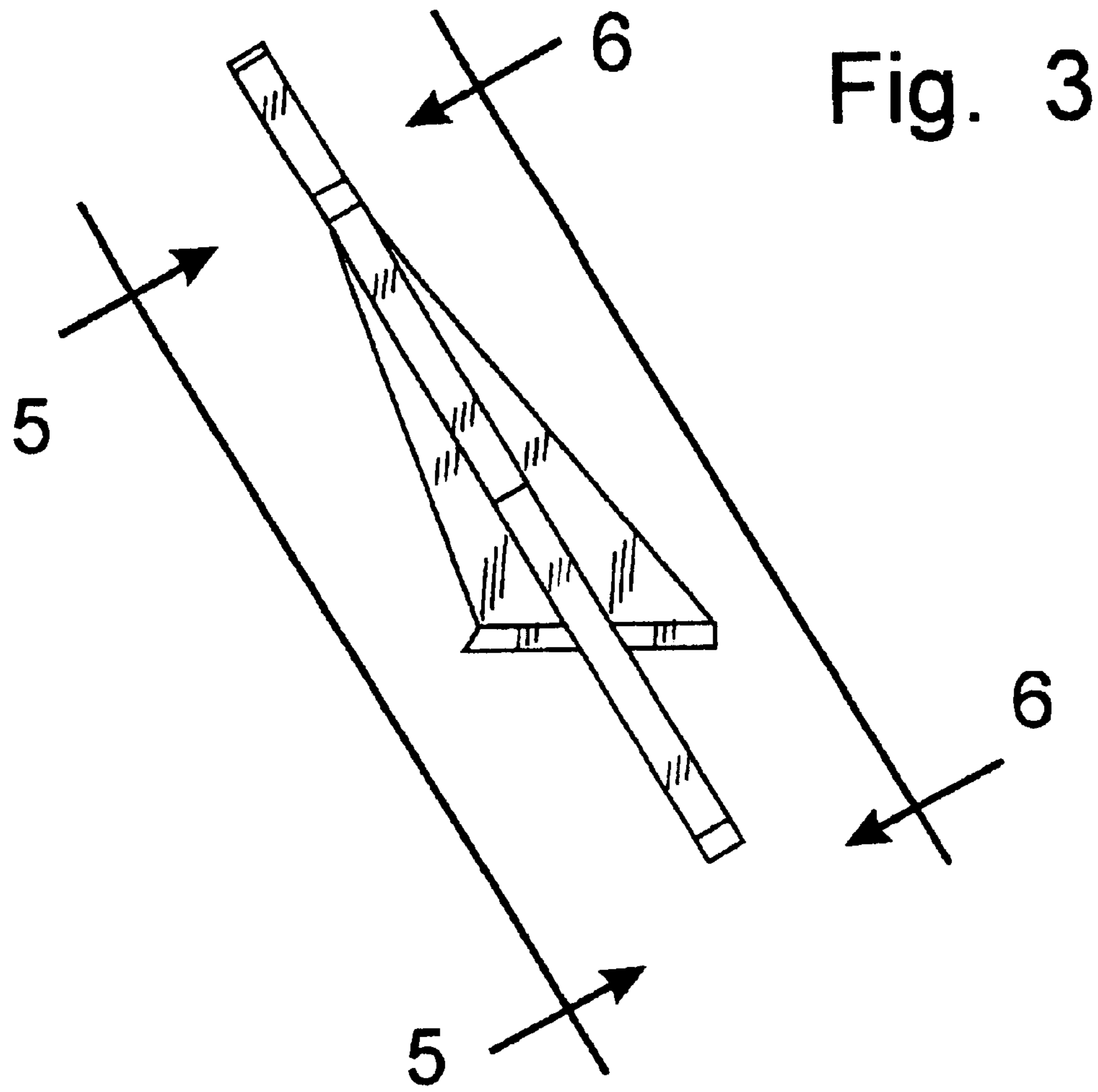


Fig. 4

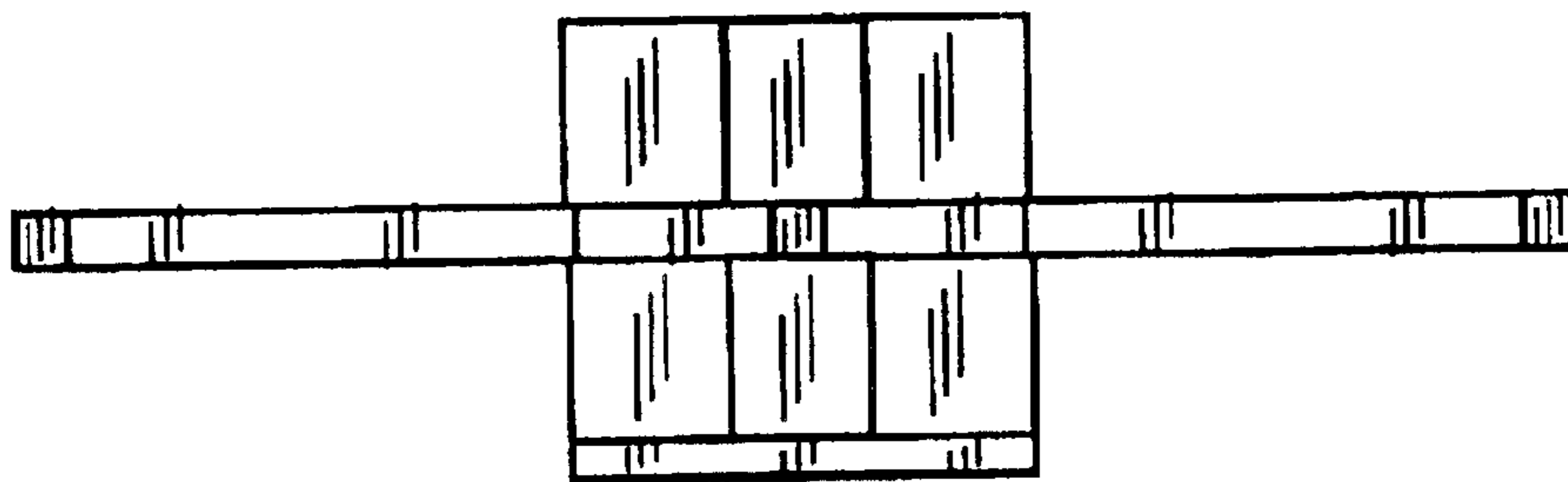


Fig. 5

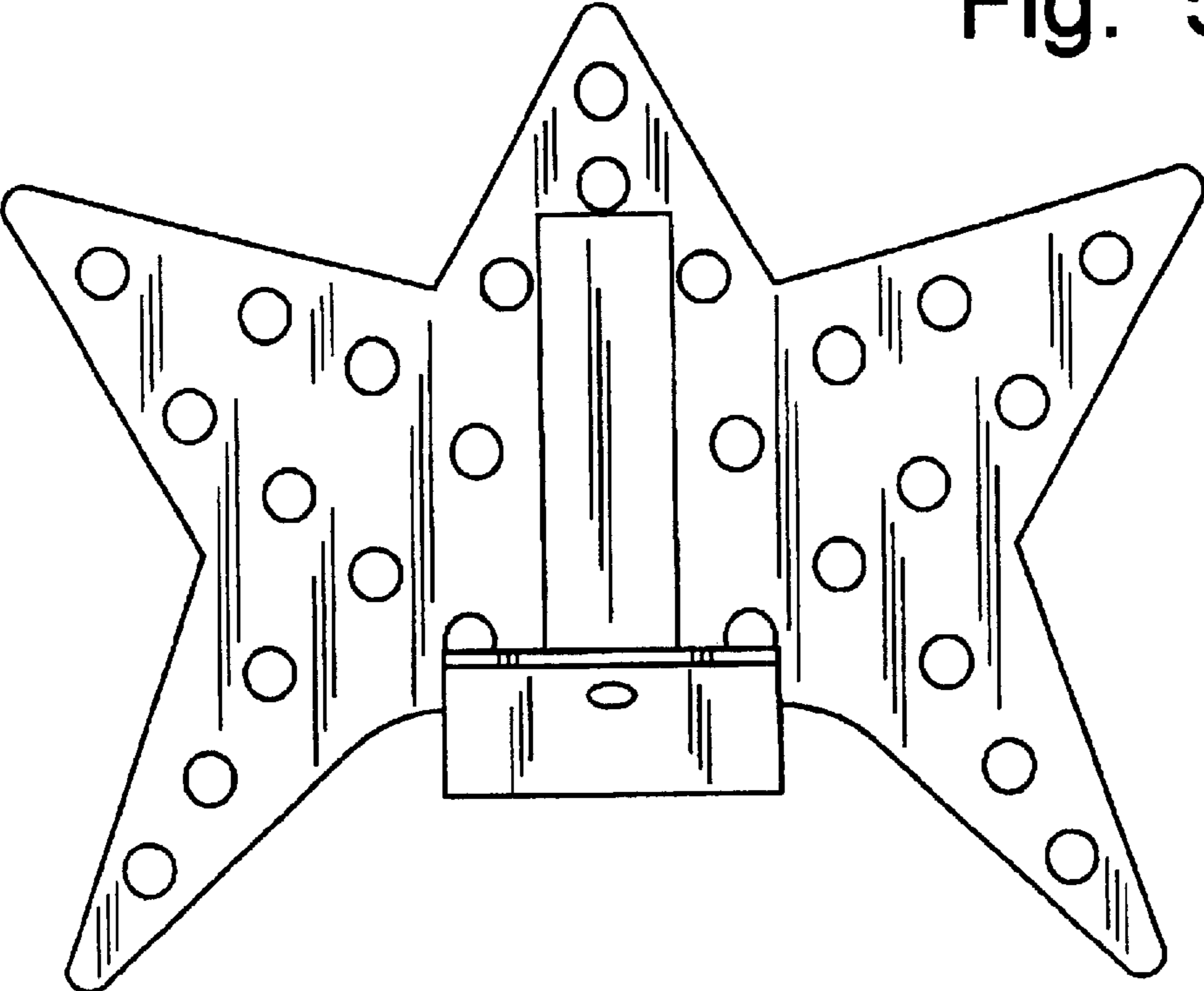


Fig. 6

