

US00D499329S

(12) **United States Design Patent**  
**Suero, Jr.**

(10) **Patent No.:** **US D499,329 S**  
(45) **Date of Patent:** **\*\* Dec. 7, 2004**

(54) **WALL HOOK**

D423,339 S \* 4/2000 Snell ..... D8/372  
D485,157 S \* 1/2004 Rodrigue ..... D8/372

(75) Inventor: **Jose Suero, Jr.**, Newark, DE (US)

\* cited by examiner

(73) Assignee: **Zenith Products Corp.**, New Castle, DE (US)

*Primary Examiner*—Brian N Vinson  
(74) *Attorney, Agent, or Firm*—Edgar A. Zarins; Lloyd D. Doigan

(\*\*) Term: **14 Years**

(21) Appl. No.: **29/200,053**

(57) **CLAIM**

(22) Filed: **Feb. 23, 2004**

The ornamental design for a wall hook, as shown and described.

(51) **LOC (7) Cl.** ..... **08-05**

(52) **U.S. Cl.** ..... **D8/372**

(58) **Field of Search** ..... D8/367, 372, 349,  
D8/354; 248/304, 309.1, 309.2, 200; 211/13.1,  
86.01, 87.01, 106.01, 54.1

**DESCRIPTION**

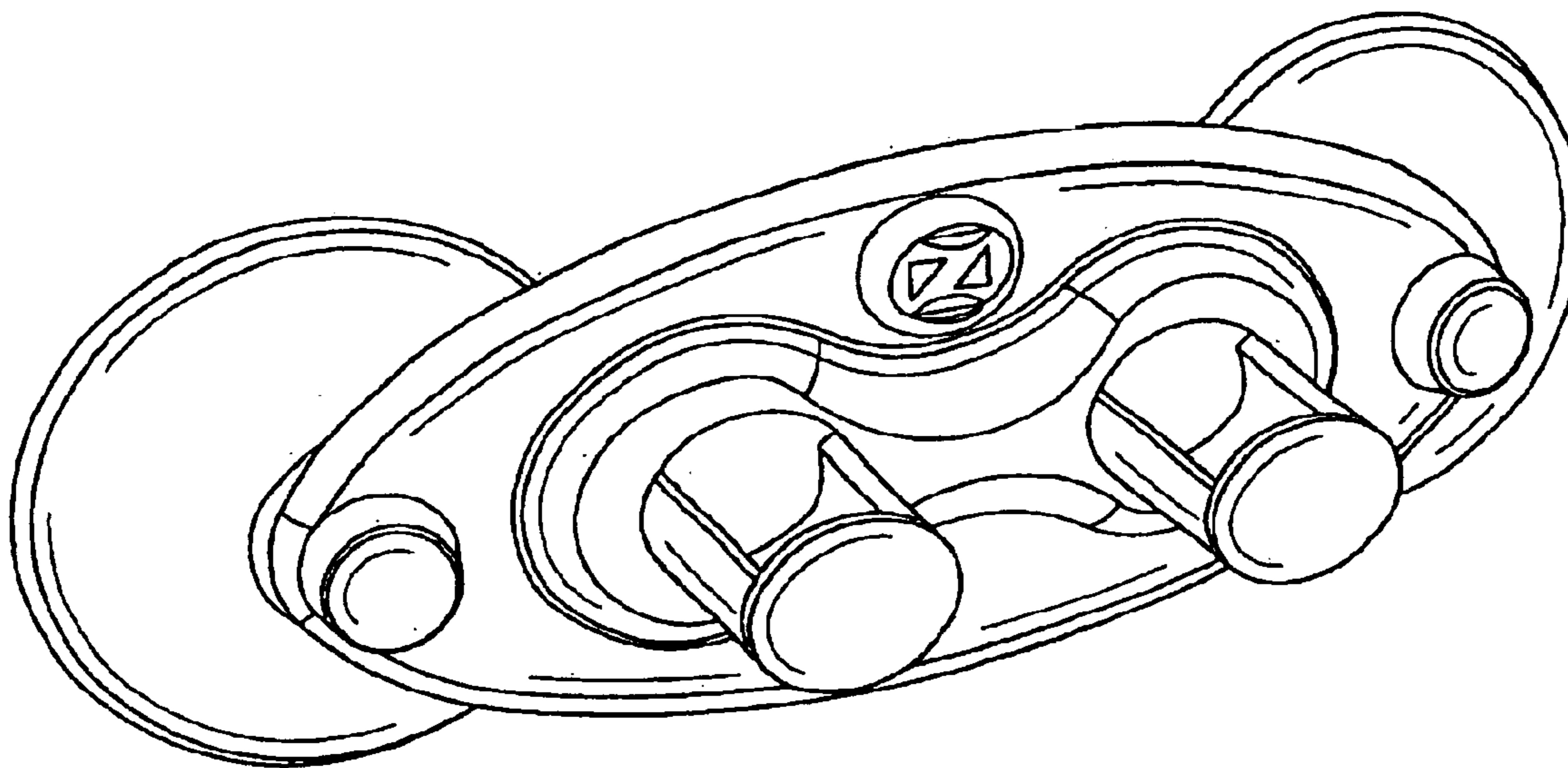
FIG. 1 is a perspective view of a wall hook showing my new design;  
FIG. 2 is a front elevational view thereof;  
FIG. 3 is a right end view thereof; the opposite end being a mirror image of the end shown; and,  
FIG. 4 is a top plan view thereof.

(56) **References Cited**

**U.S. PATENT DOCUMENTS**

D304,984 S \* 12/1989 French ..... D6/567  
D327,213 S \* 6/1992 Murphy ..... D8/367

**1 Claim, 2 Drawing Sheets**



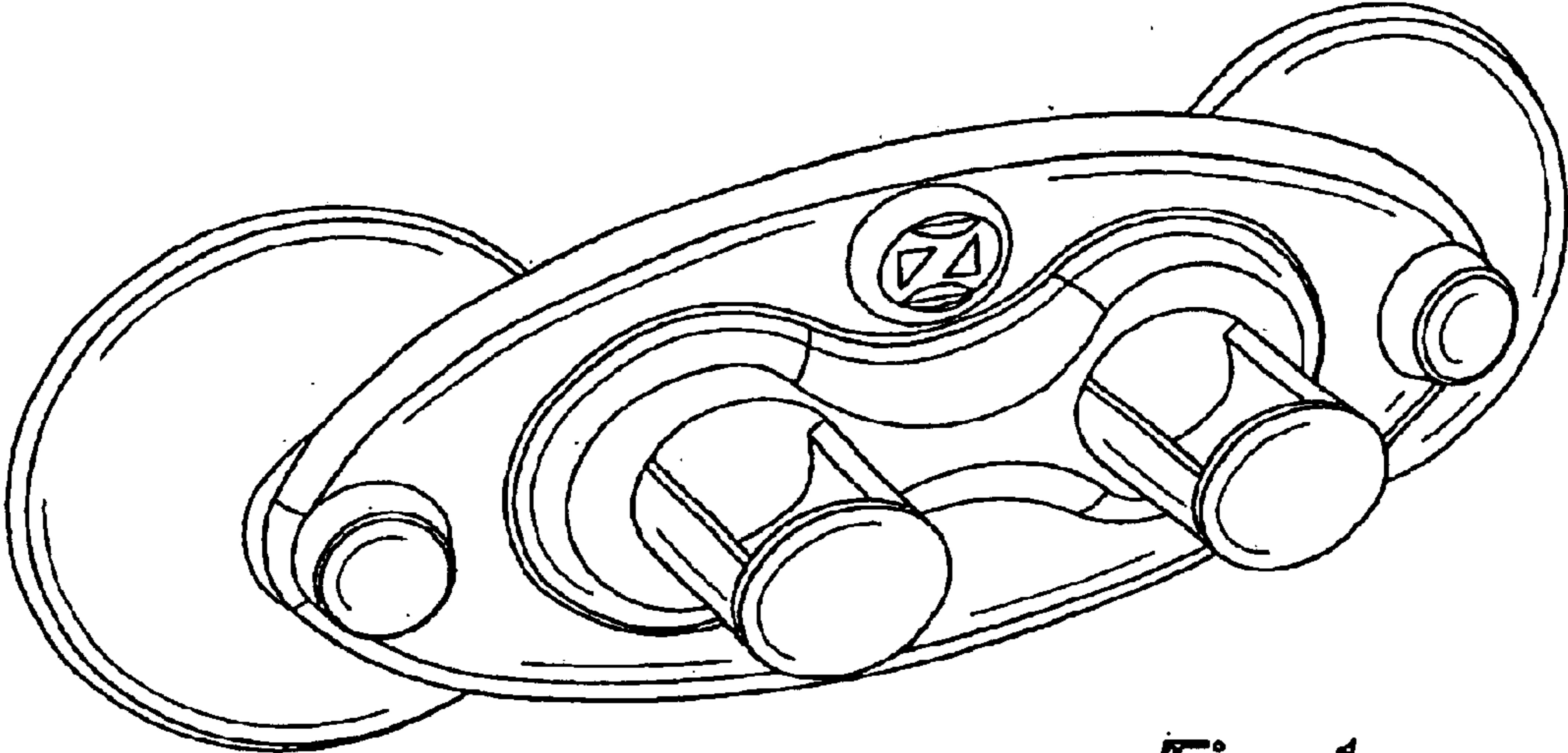


Fig-1

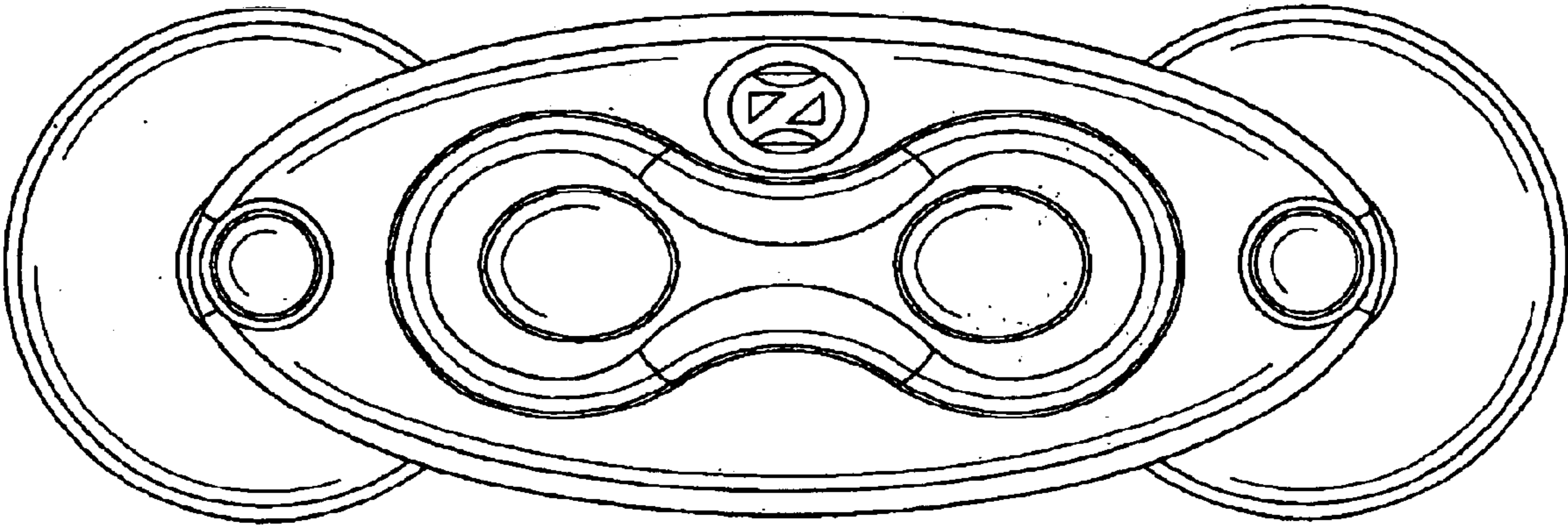


Fig-2

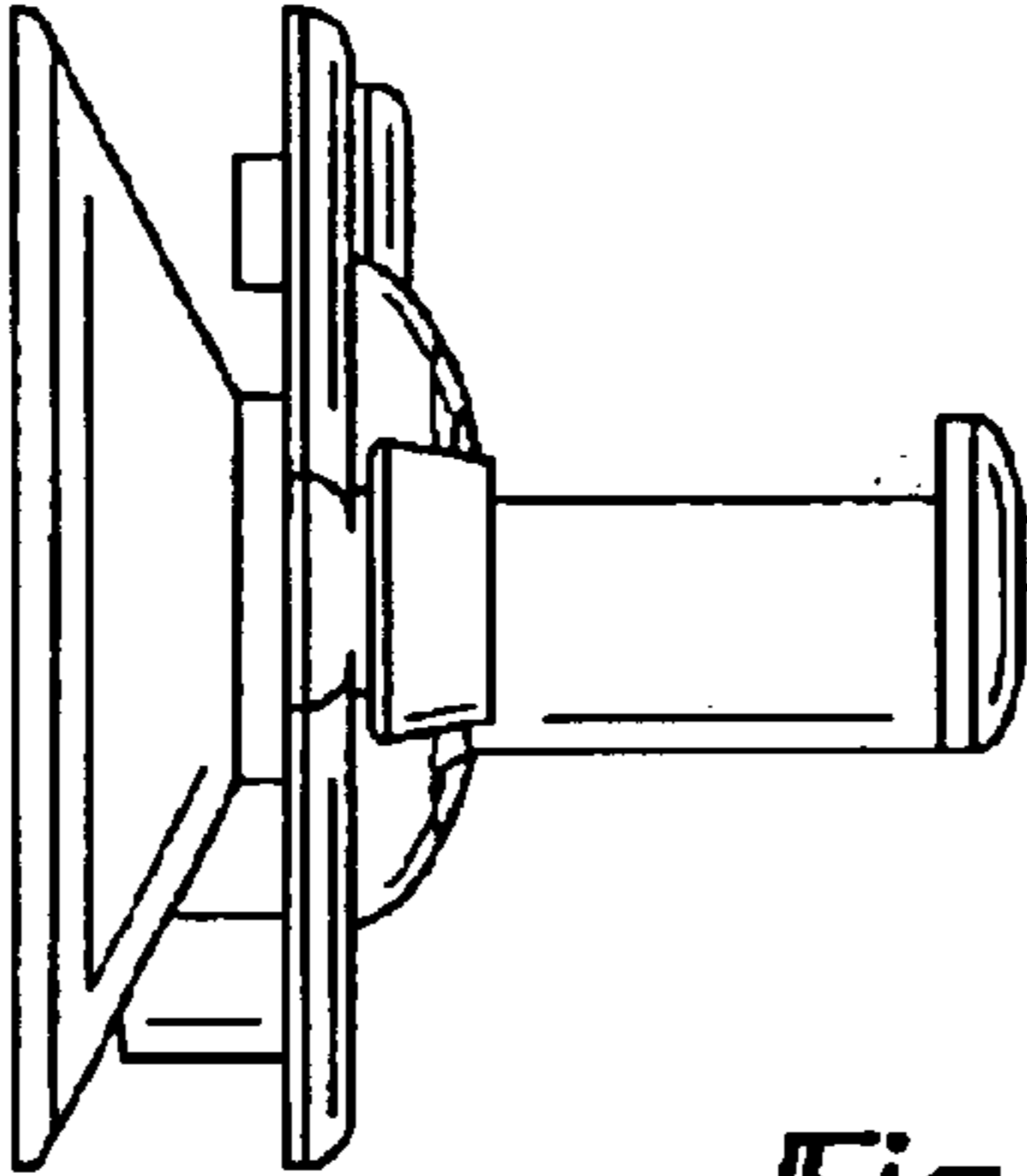


Fig-3

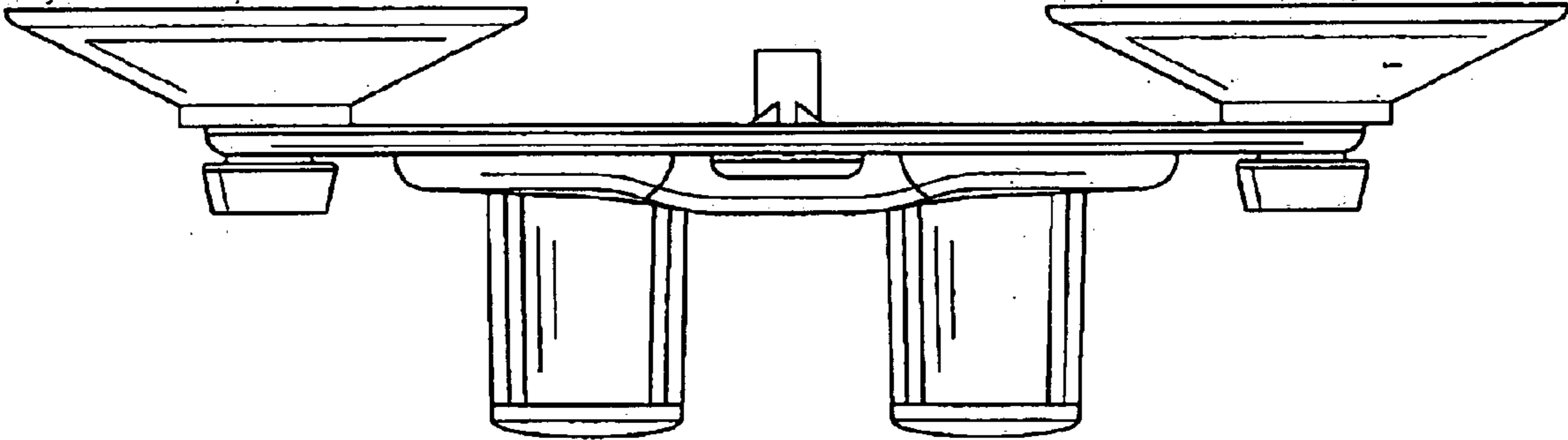


Fig-4