

US00D499326S

(12) **United States Design Patent**  
**Roberts, III**

(10) **Patent No.:** **US D499,326 S**

(45) **Date of Patent:** **\*\* Dec. 7, 2004**

(54) **ENTRYSET**

D339,280 S \* 9/1993 Bray et al. .... D8/301  
D363,204 S \* 10/1995 Ellis et al. .... D8/301  
D423,902 S \* 5/2000 Libby et al. .... D8/301

(75) **Inventor:** **Rockwood T. Roberts, III**, Shillington,  
PA (US)

\* cited by examiner

(73) **Assignee:** **Newfrey LLC**, Newark, DE (US)

*Primary Examiner*—Paula A. Greene

(\*\*) **Term:** **14 Years**

(74) *Attorney, Agent, or Firm*—Richard J. Veltman; John D.  
Del Ponti

(21) **Appl. No.:** **29/187,477**

(57) **CLAIM**

(22) **Filed:** **Jul. 31, 2003**

The ornamental design for an entryset, as shown and  
described.

(51) **LOC (7) Cl.** ..... **08-06**

(52) **U.S. Cl.** ..... **D8/302**

(58) **Field of Search** ..... D8/300, 301, 302,  
D8/307, 308, 310; 292/336.3, DIG. 46;  
70/91, 101, 107, 452

**DESCRIPTION**

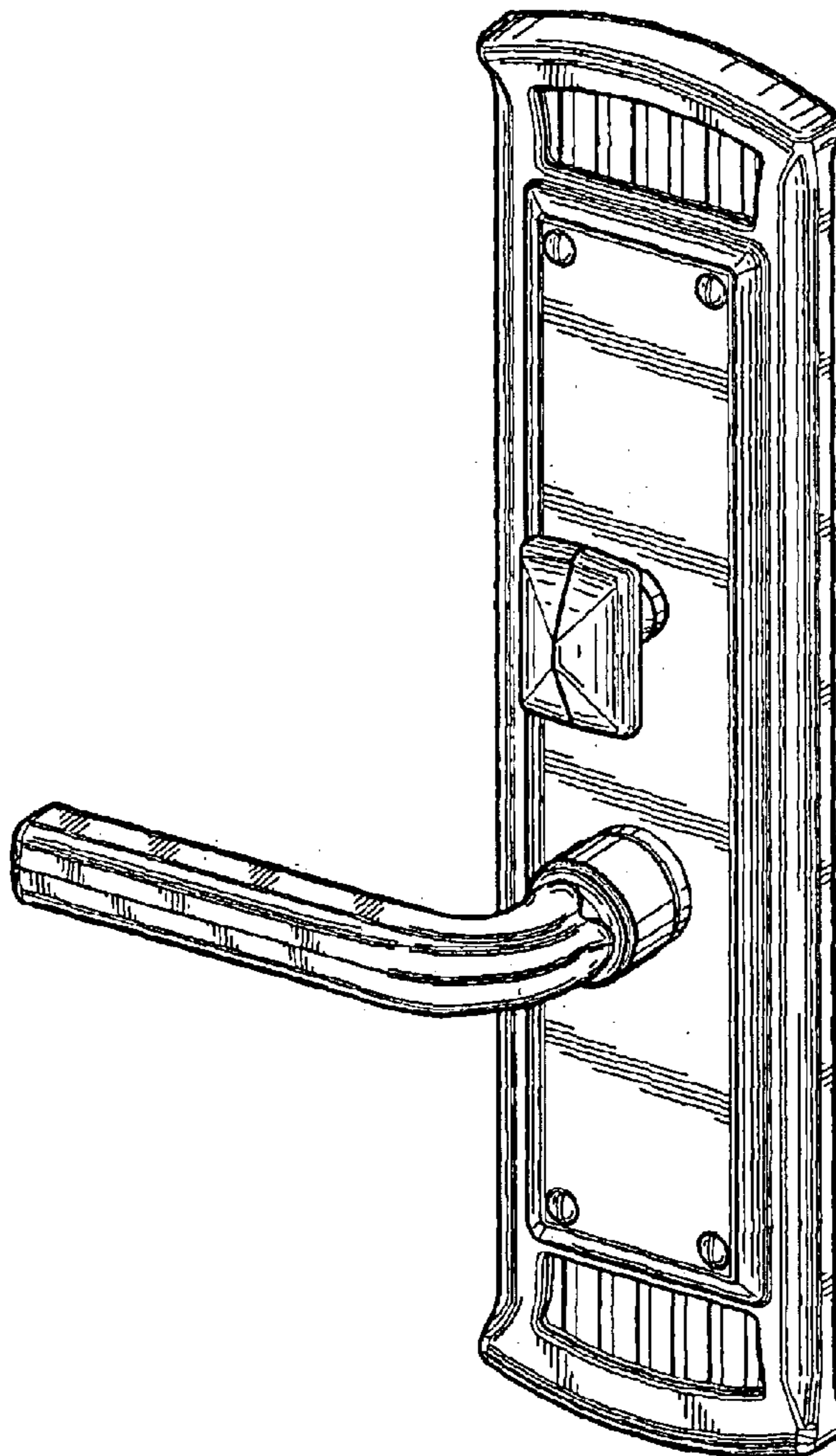
(56) **References Cited**

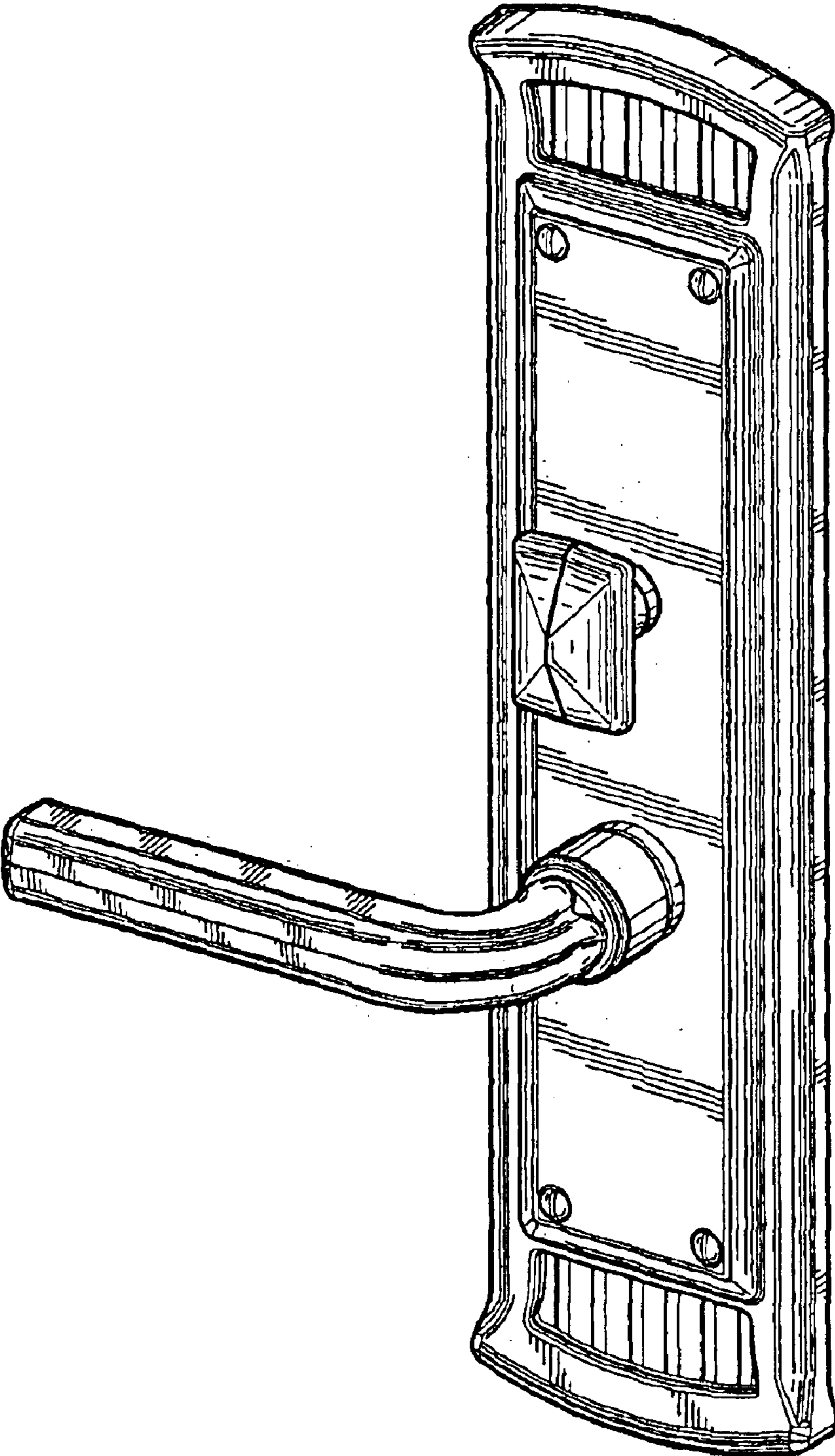
**U.S. PATENT DOCUMENTS**

D295,829 S \* 5/1988 Ortega et al. .... D8/301  
D312,565 S \* 12/1990 Abraham et al. .... D8/301  
D312,956 S \* 12/1990 Boeri ..... D8/308

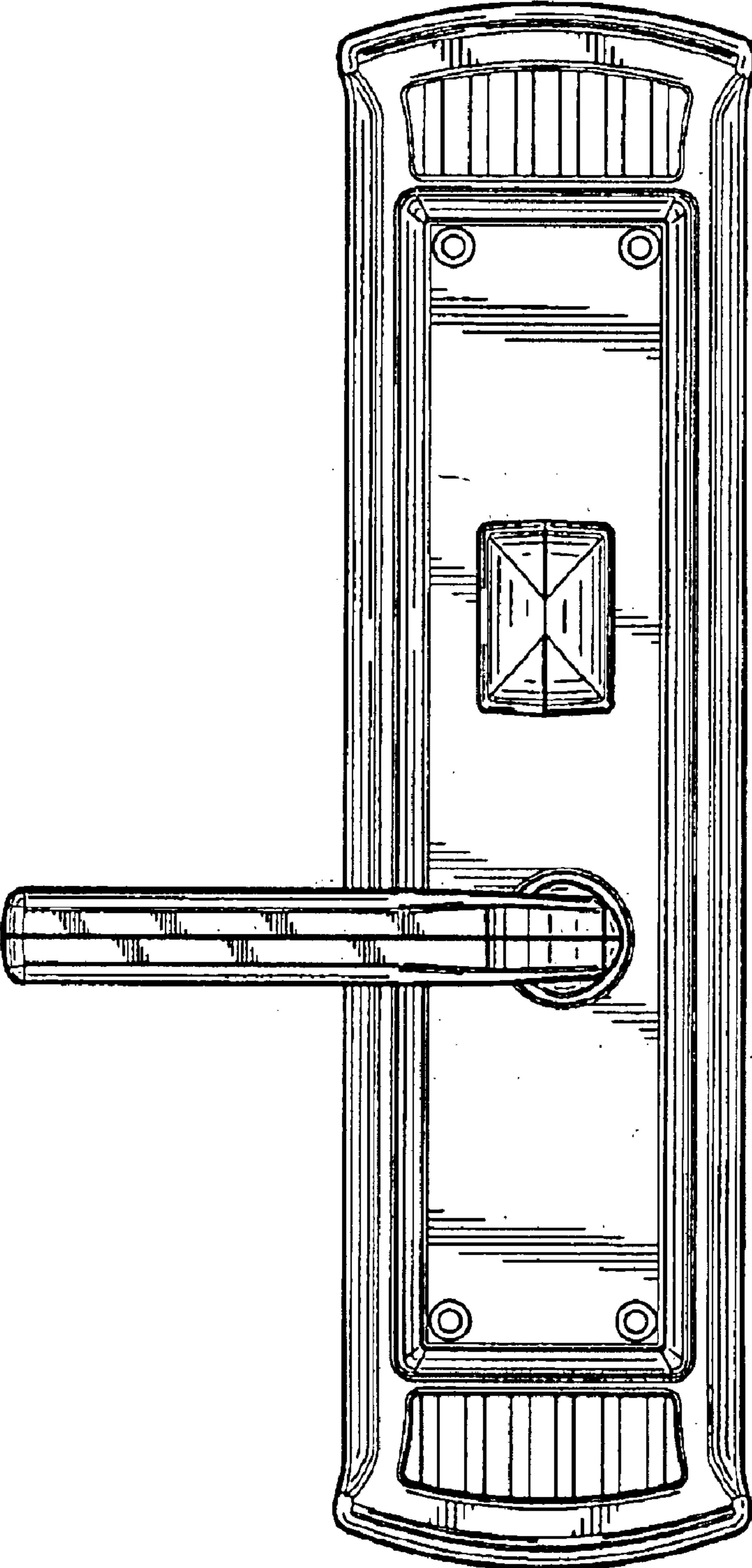
FIG. 1 is a perspective view of an entryset showing my new  
design;  
FIG. 2 is a front elevational view thereof;  
FIG. 3 is a left side view thereof;  
FIG. 4 is a top plan view thereof;  
FIG. 5 is a right side view thereof; and,  
FIG. 6 is a bottom plan view thereof.

**1 Claim, 4 Drawing Sheets**



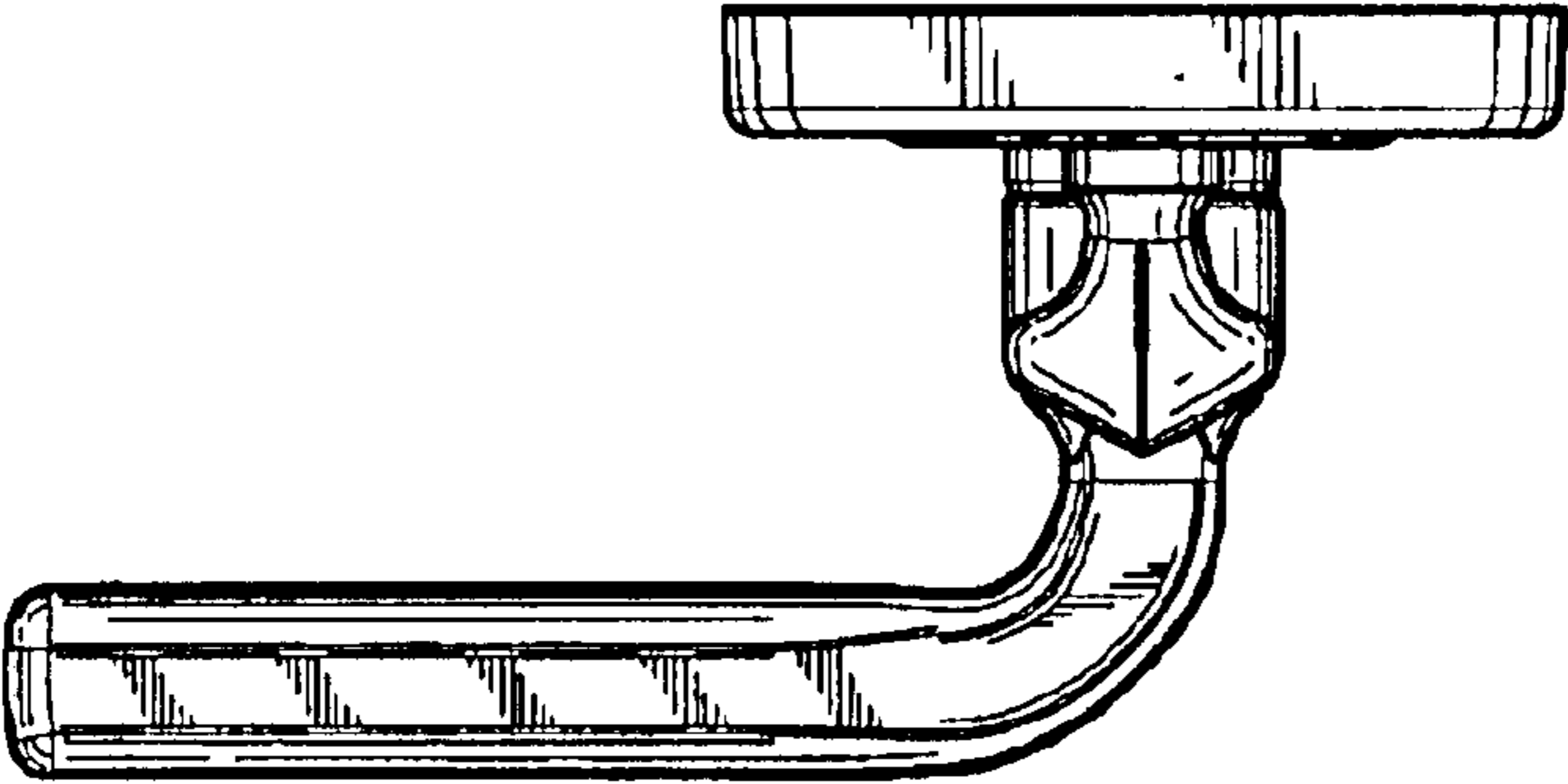
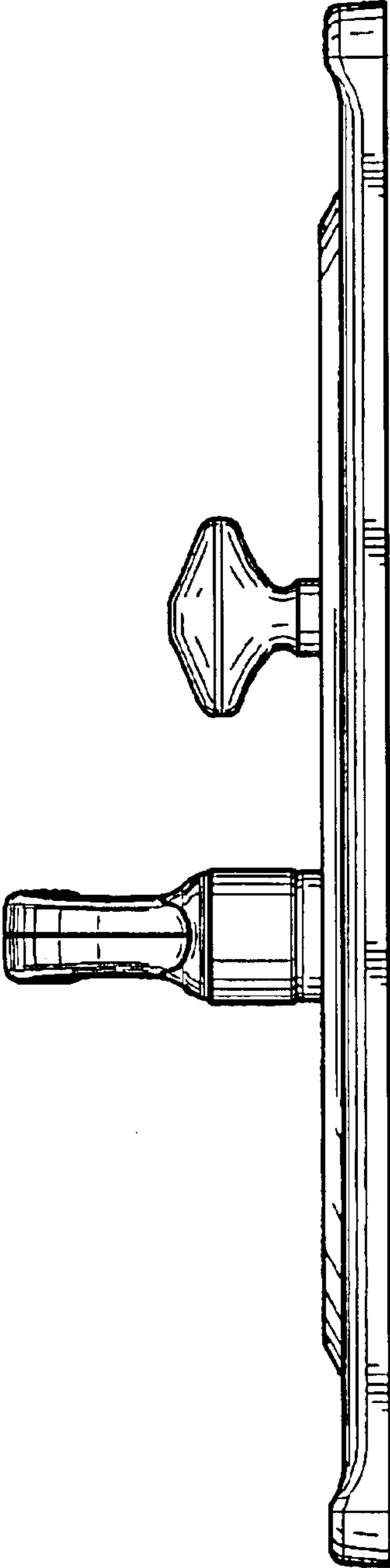


**FIG-1**

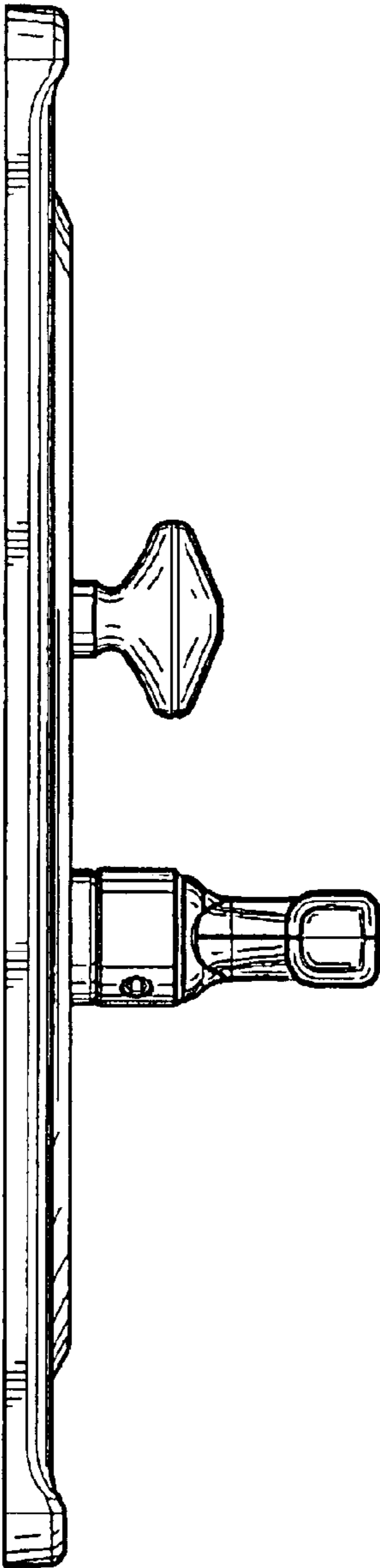


**FIG - 2**

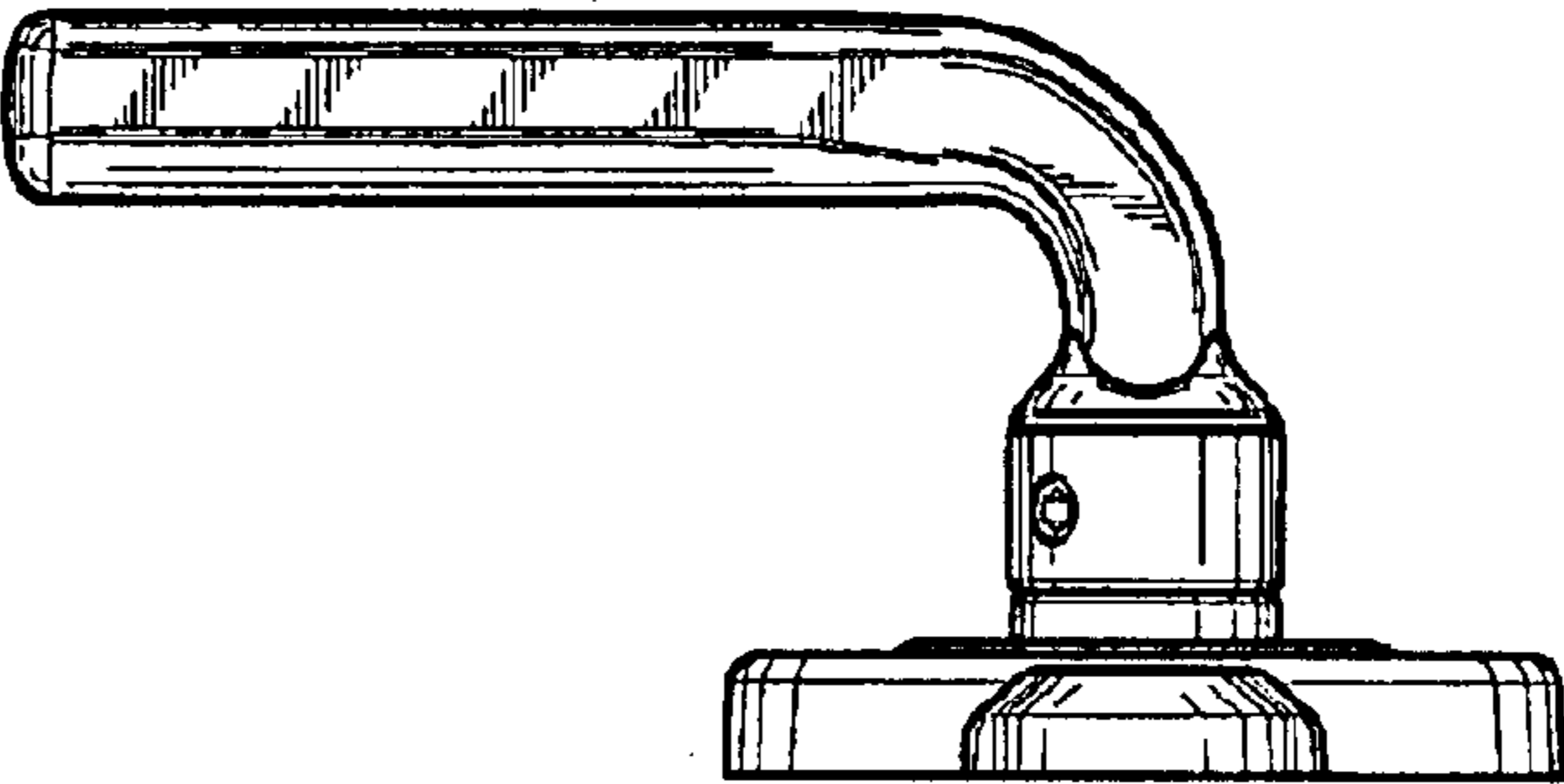
**FIG - 3**



**FIG - 4**



**FIG - 5**



**FIG - 6**