

US00D499325S

(12) **United States Design Patent** (10) **Patent No.:** **US D499,325 S**
McLean et al. (45) **Date of Patent:** **** Dec. 7, 2004**

(54) **CUTTING DEVICE**

(75) Inventors: **Mark A. McLean**, Wausau, WI (US);
William J. Schulz, Mosinee, WI (US)

(73) Assignee: **Alterra Holdings Corporation**, Tigard,
OR (US)

(**) Term: **14 Years**

(21) Appl. No.: **29/181,796**

(22) Filed: **May 15, 2003**

(51) **LOC (7) Cl.** **08-03**

(52) **U.S. Cl.** **D8/98; D8/51**

(58) **Field of Search** **D8/51, 98; D19/38;**
30/293, 296.1, 300, 310, 315, 316, 294

(56) **References Cited**

U.S. PATENT DOCUMENTS

3,994,194	A	*	11/1976	Moceri	83/527
D310,533	S	*	9/1990	Garrett et al.	D15/139
D375,034	S	*	10/1996	Bowser	D8/98
D409,630	S	*	5/1999	Cornell et al.	D15/127
6,158,133	A	*	12/2000	Carlson et al.	33/27.01
6,401,343	B1	*	6/2002	Hsu	30/293
6,708,413	B2	*	3/2004	Carlson et al.	33/27.12

OTHER PUBLICATIONS

School Speciality Catalog, found on Google Catalogs
Search Engine, 2003, p. 164, Fiskars Shape cutter and circle
cutter.*

* cited by examiner

Primary Examiner—Philip S. Hyder
(74) *Attorney, Agent, or Firm*—Foley & Lardner LLP

(57) **CLAIM**

We claim the ornamental design for a cutting device, as
shown and described.

DESCRIPTION

FIG. 1 is a perspective view of a cutting device showing our
new design;

FIG. 2 is a top plan view thereof;

FIG. 3 is a front end view thereof;

FIG. 4 is a rear end view thereof;

FIG. 5 is a side view thereof;

FIG. 6 is a bottom plan thereof;

FIG. 7 is a perspective view of another embodiment of a
cutting device showing our new design;

FIG. 8 is a top plan view thereof;

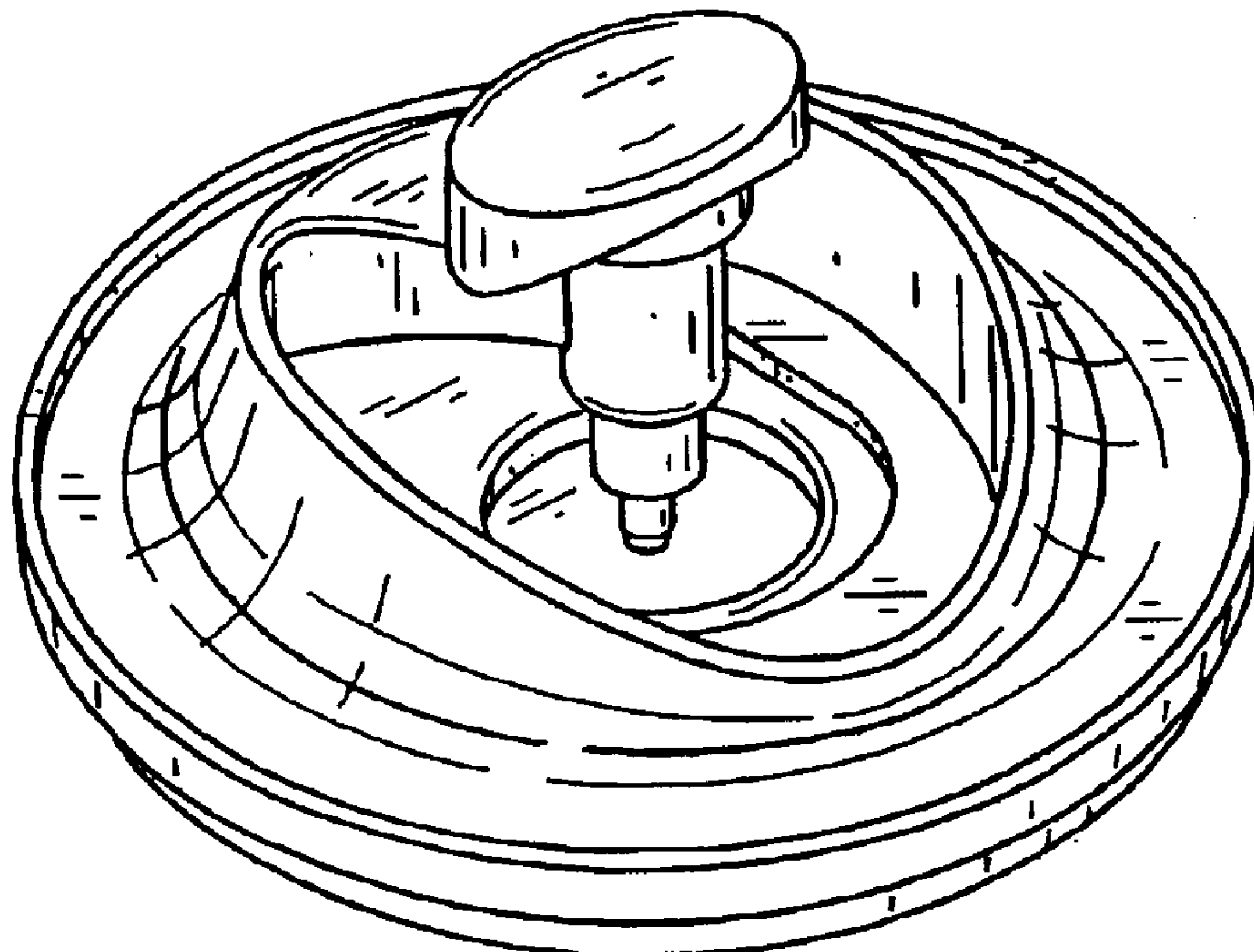
FIG. 9 is a front end view thereof;

FIG. 10 is a rear end view thereof; and,

FIG. 11 is a side view thereof.

The ornamental design which is claimed is shown in solid
lines in the drawings.

1 Claim, 4 Drawing Sheets



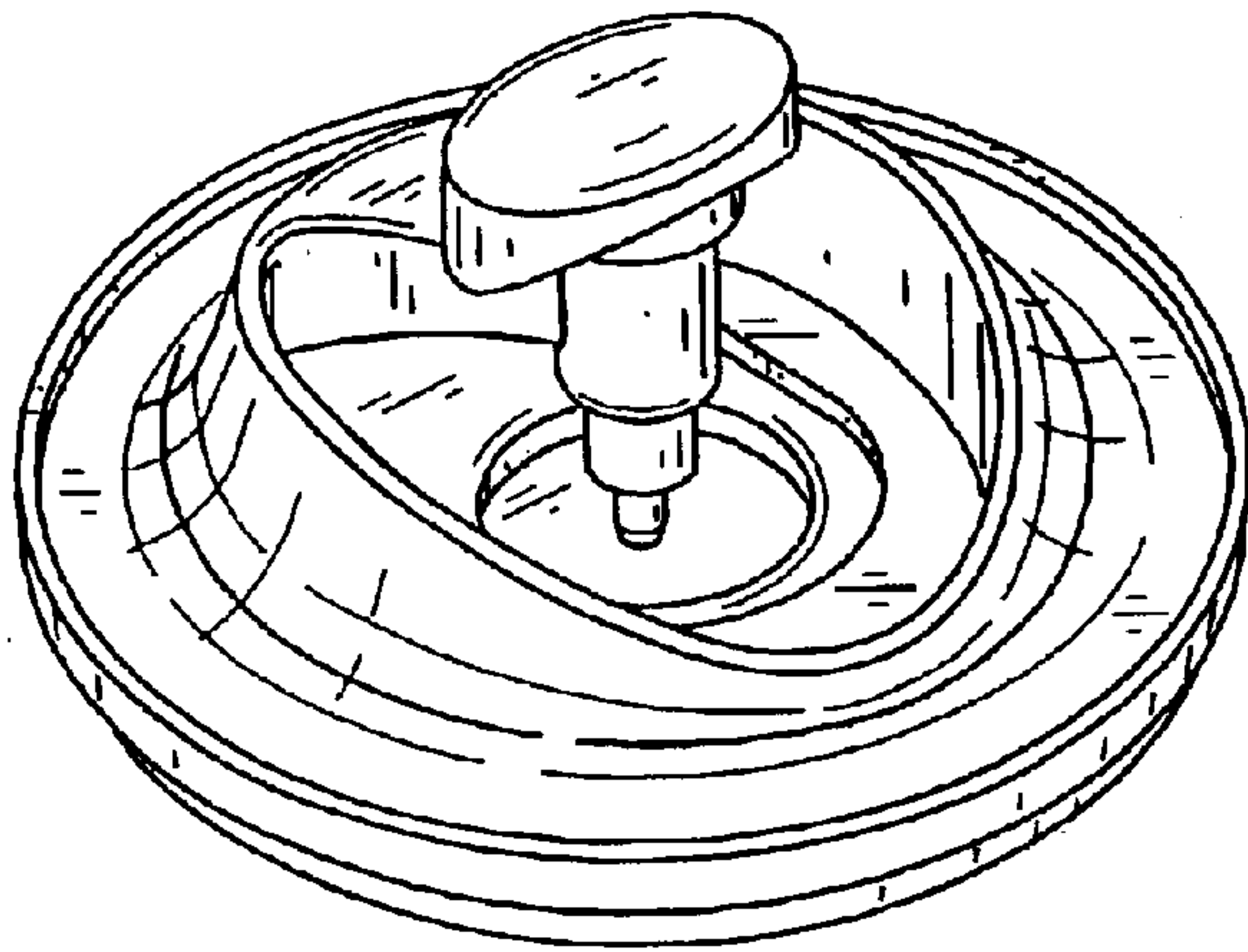


FIG. 1

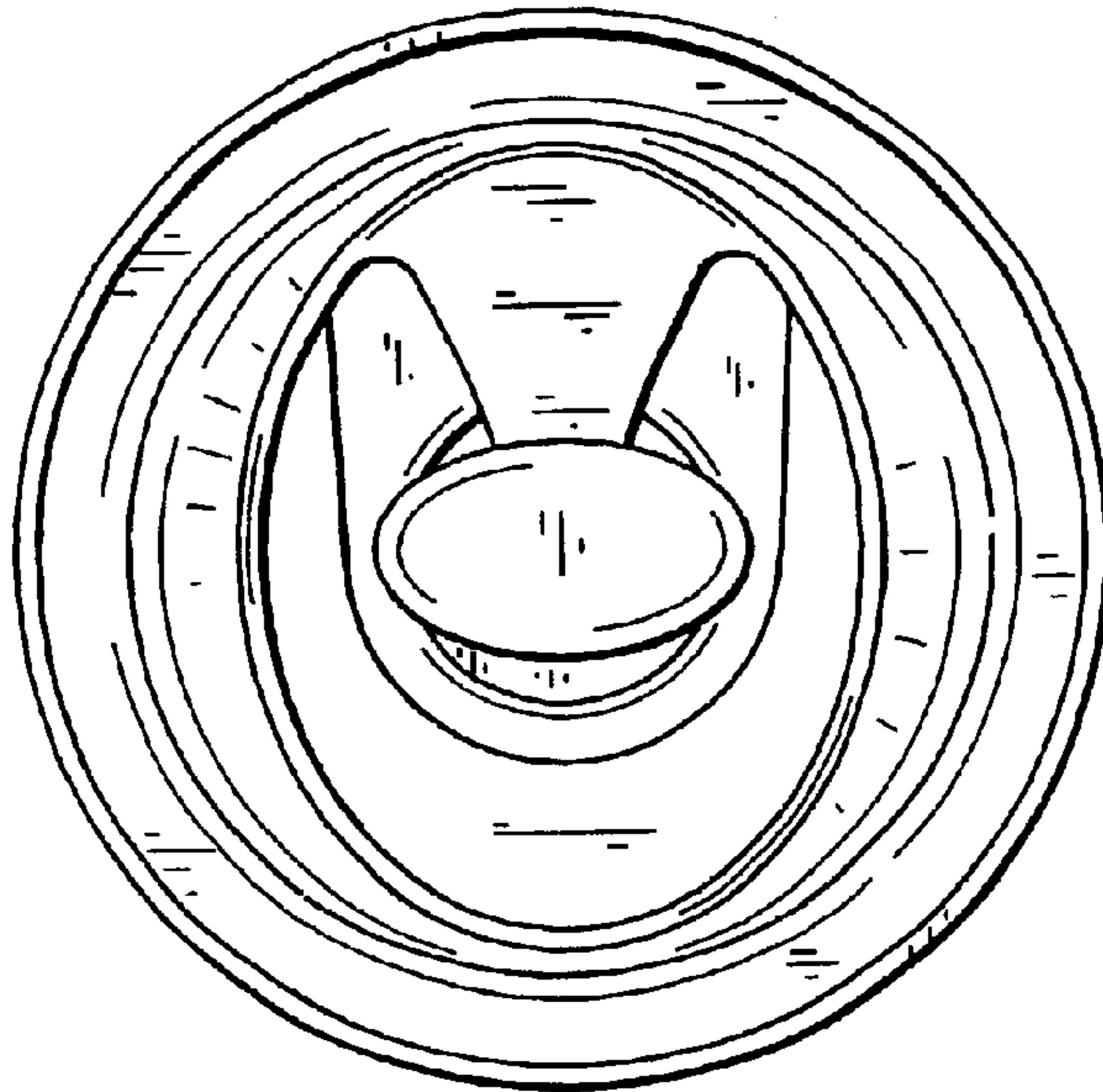


FIG. 2

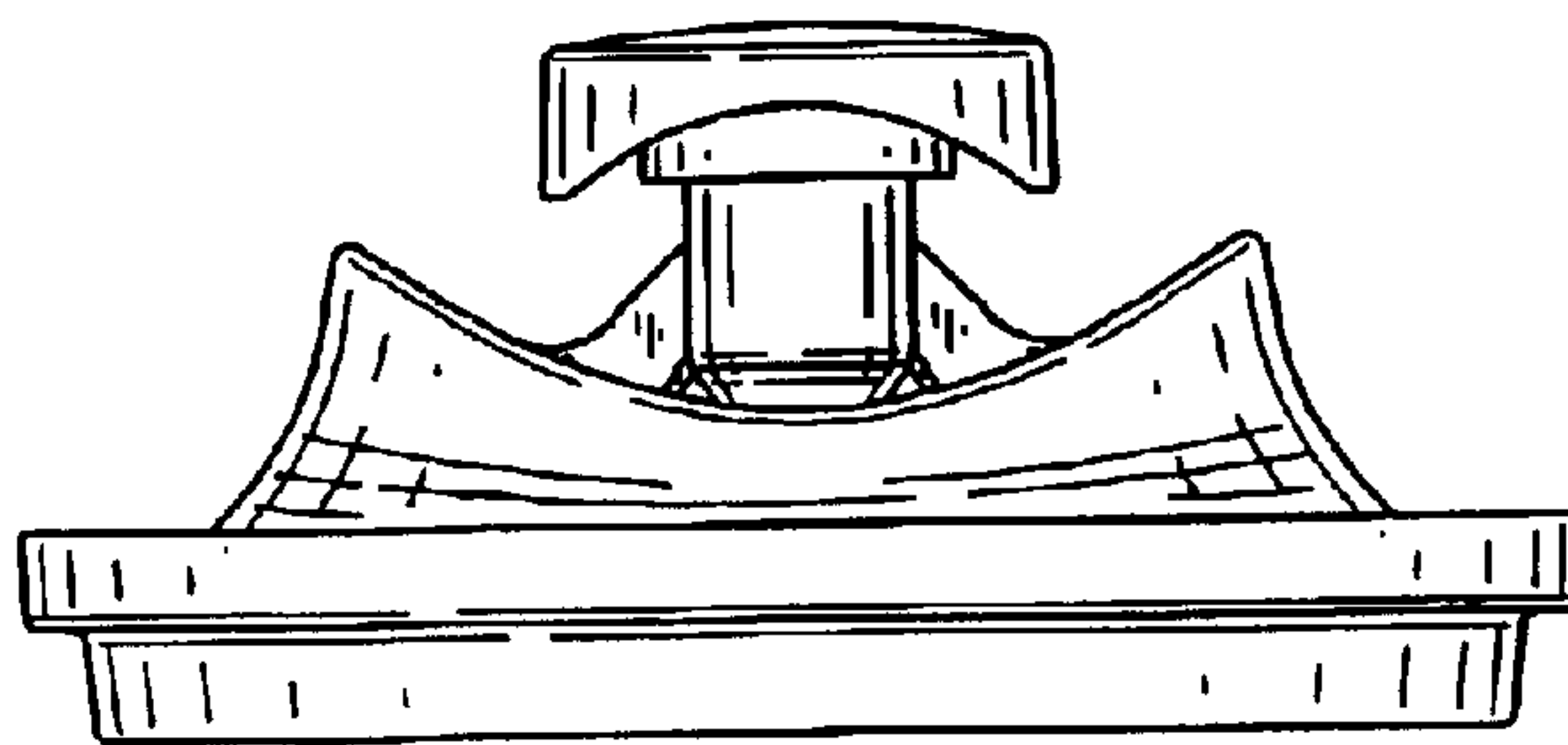


FIG. 3

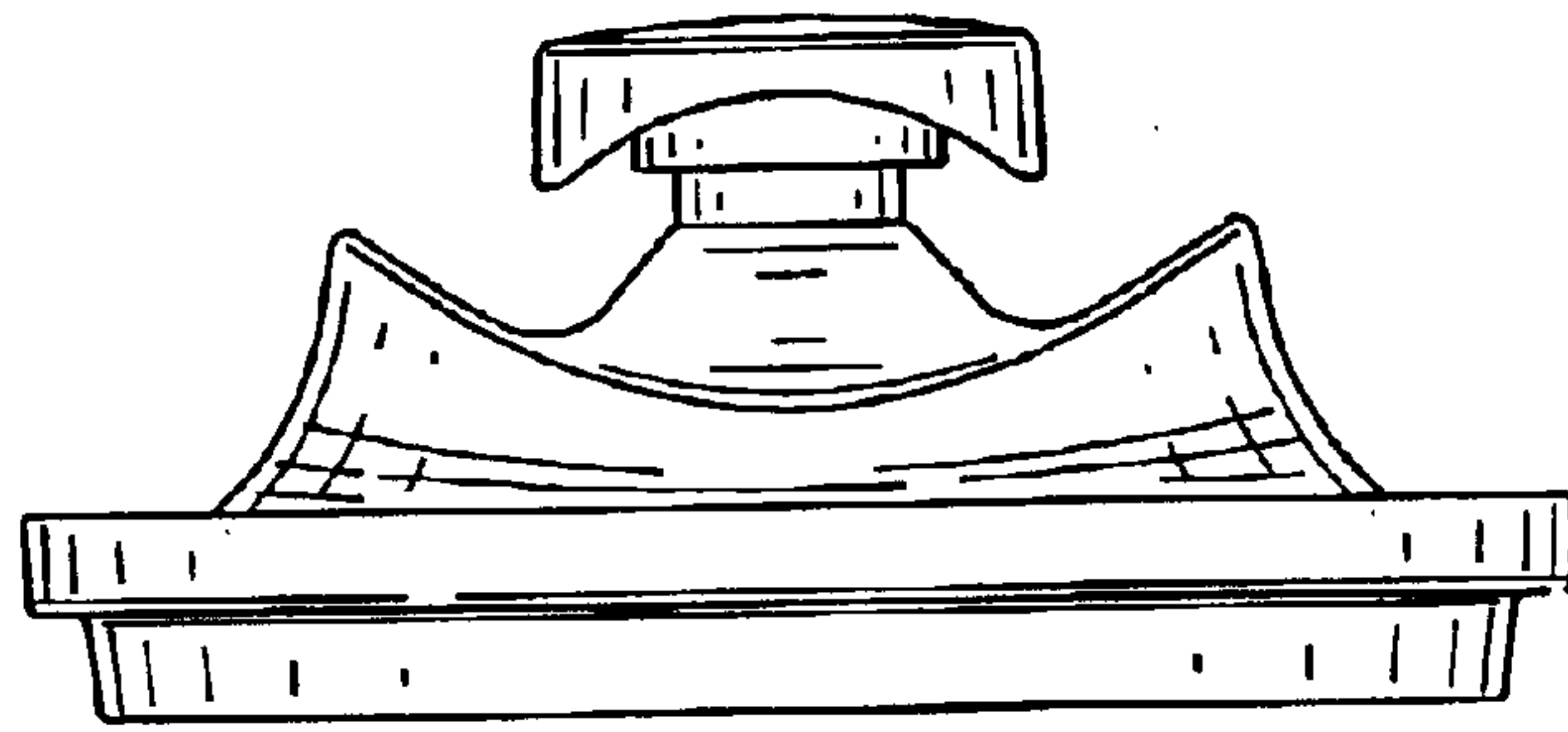


FIG. 4

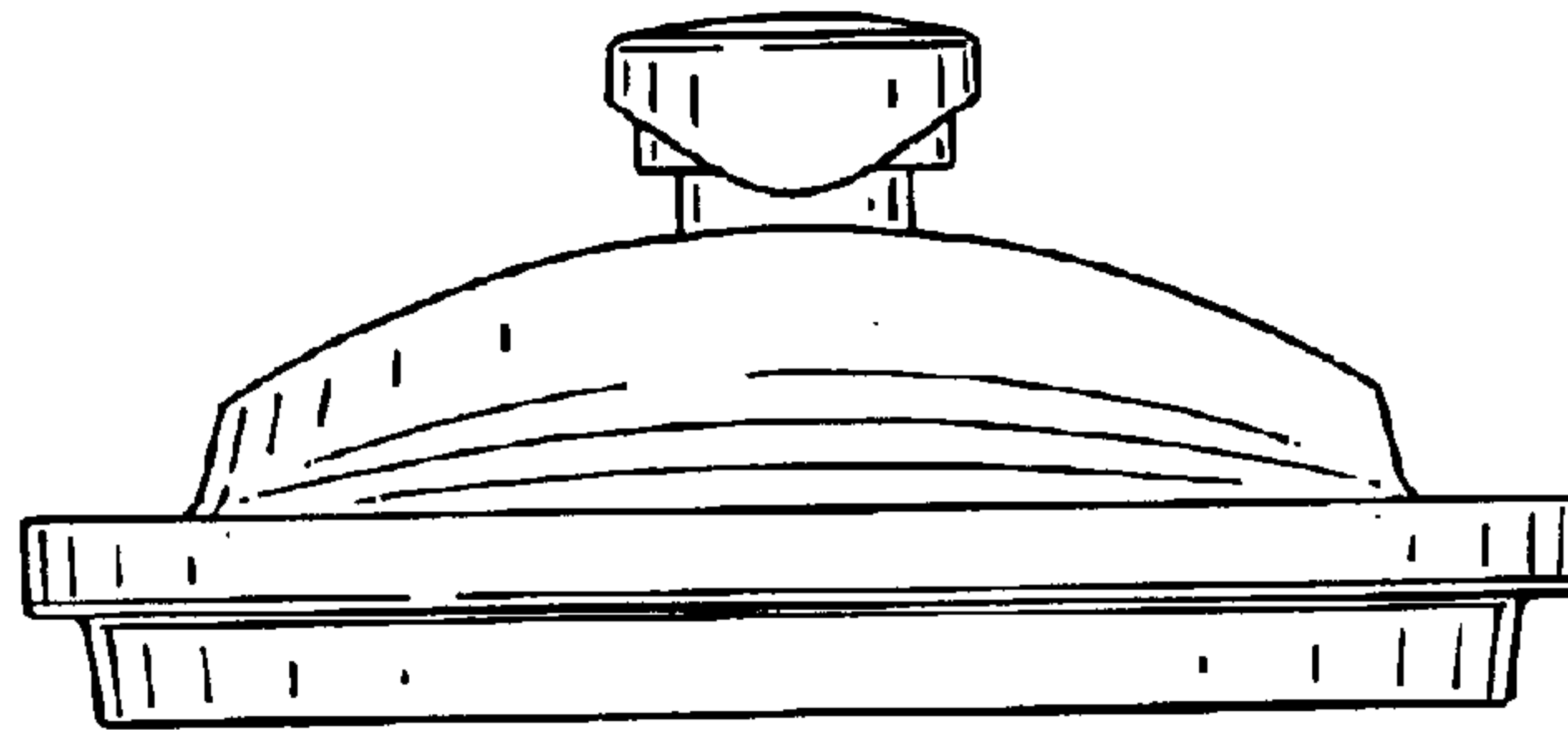


FIG. 5

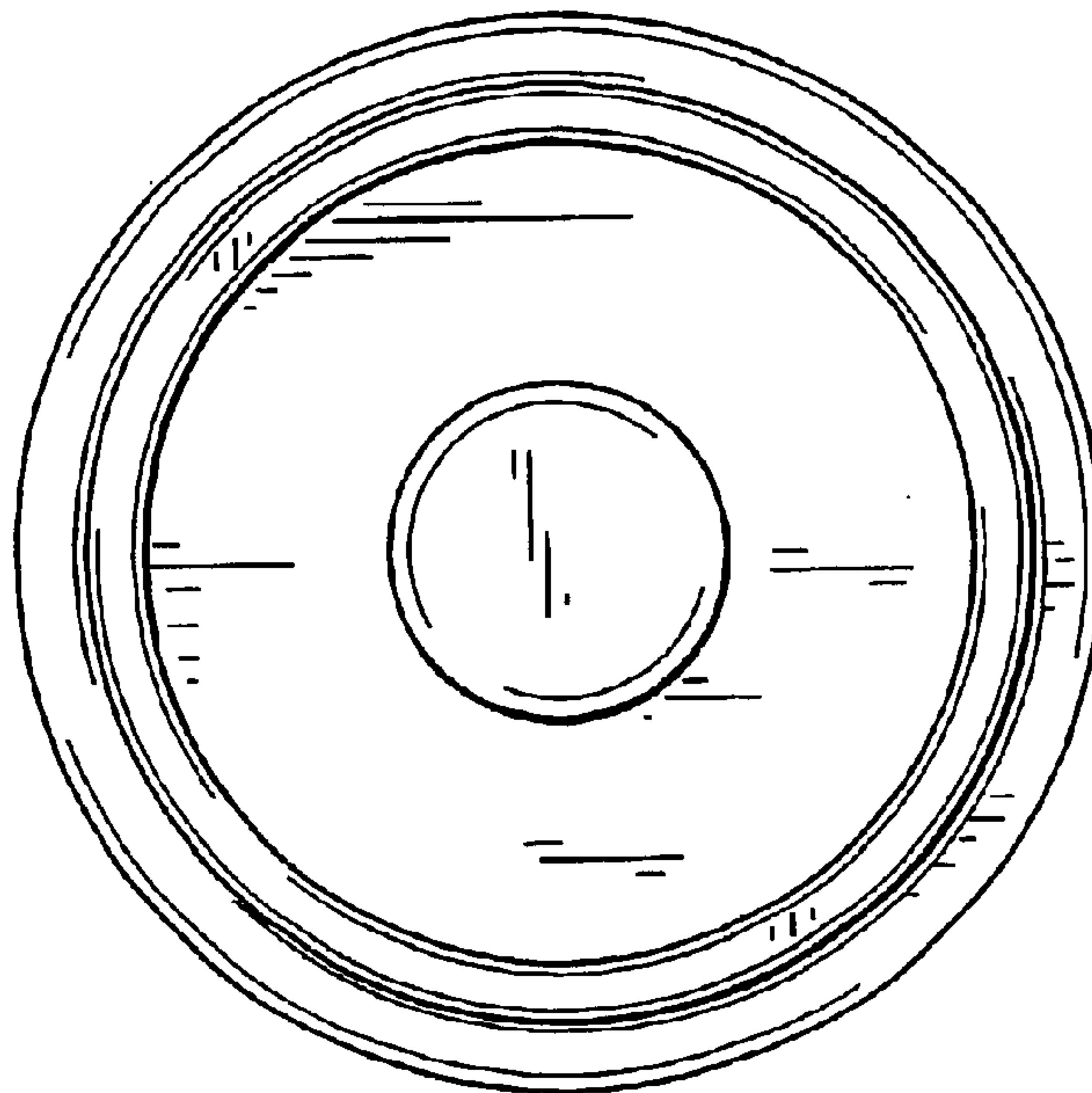


FIG. 6

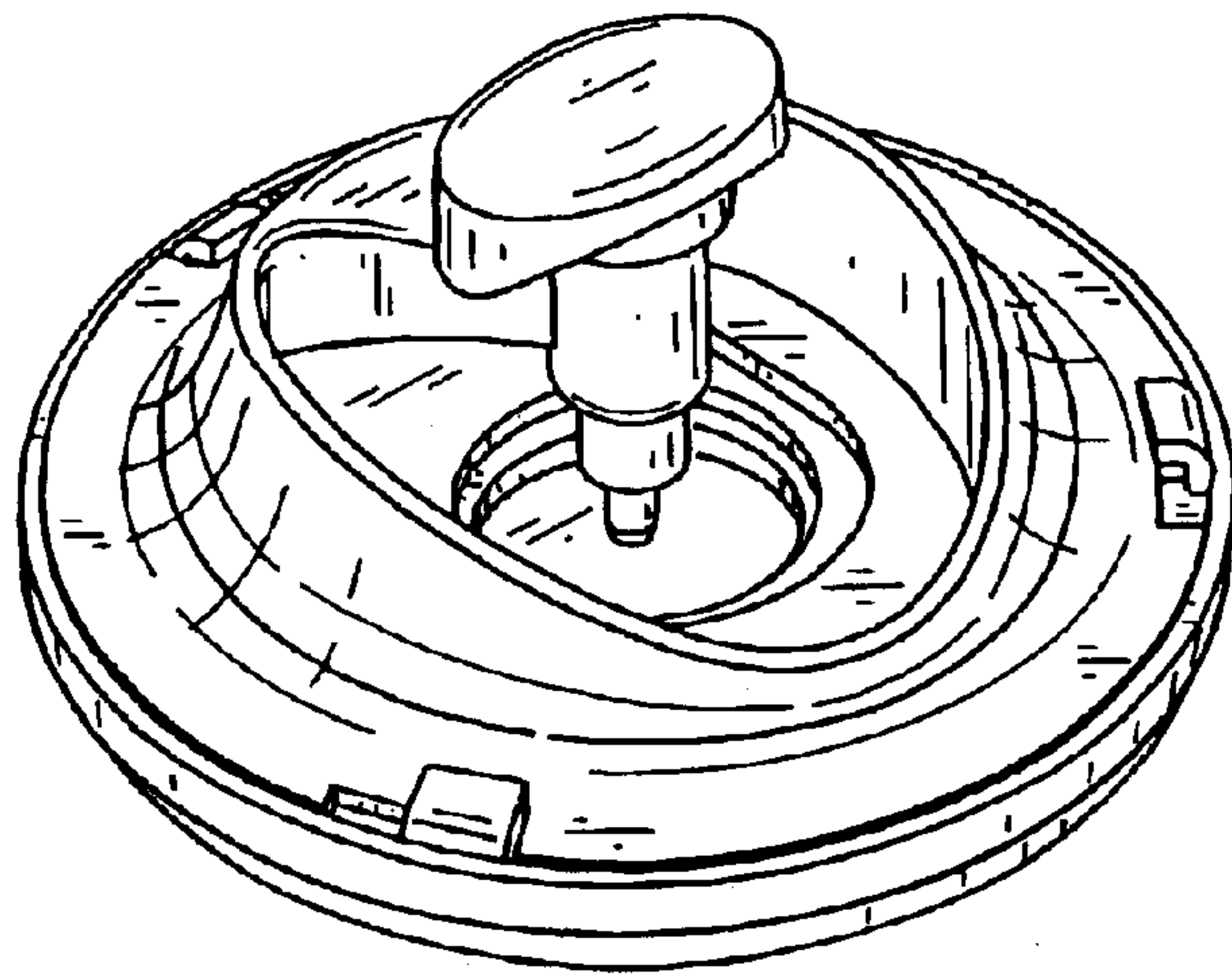


FIG. 7

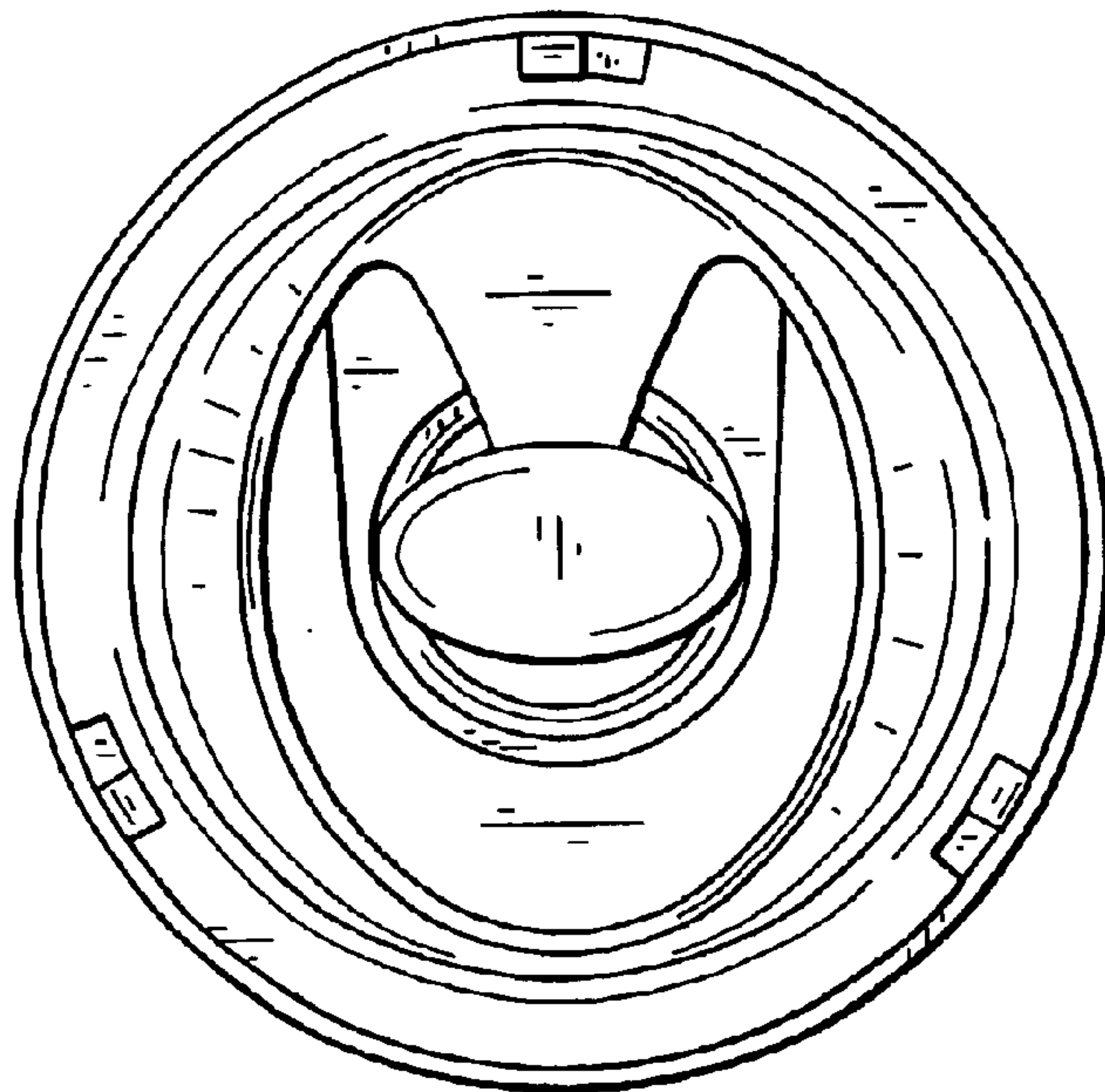


FIG. 8

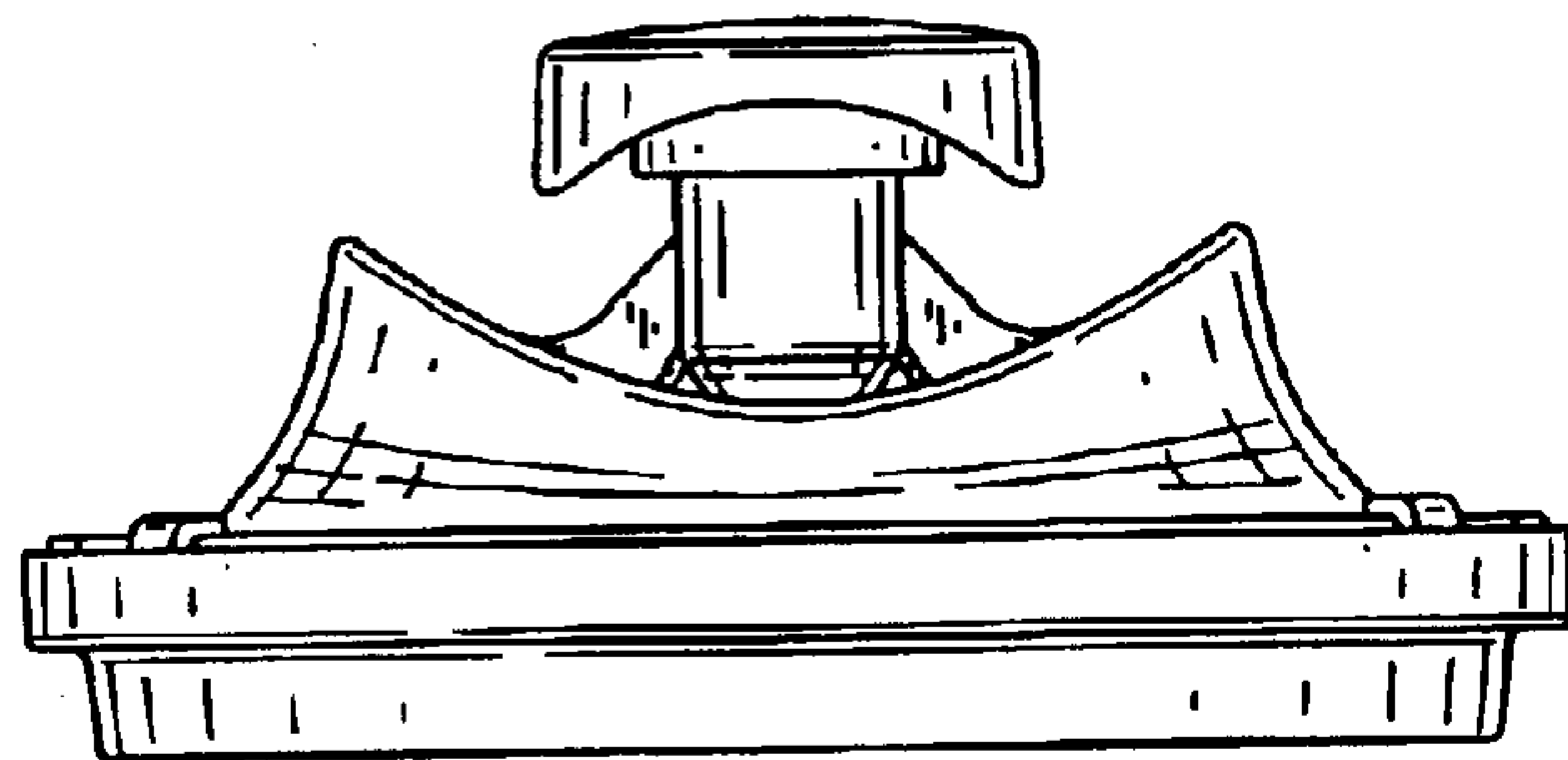


FIG. 9

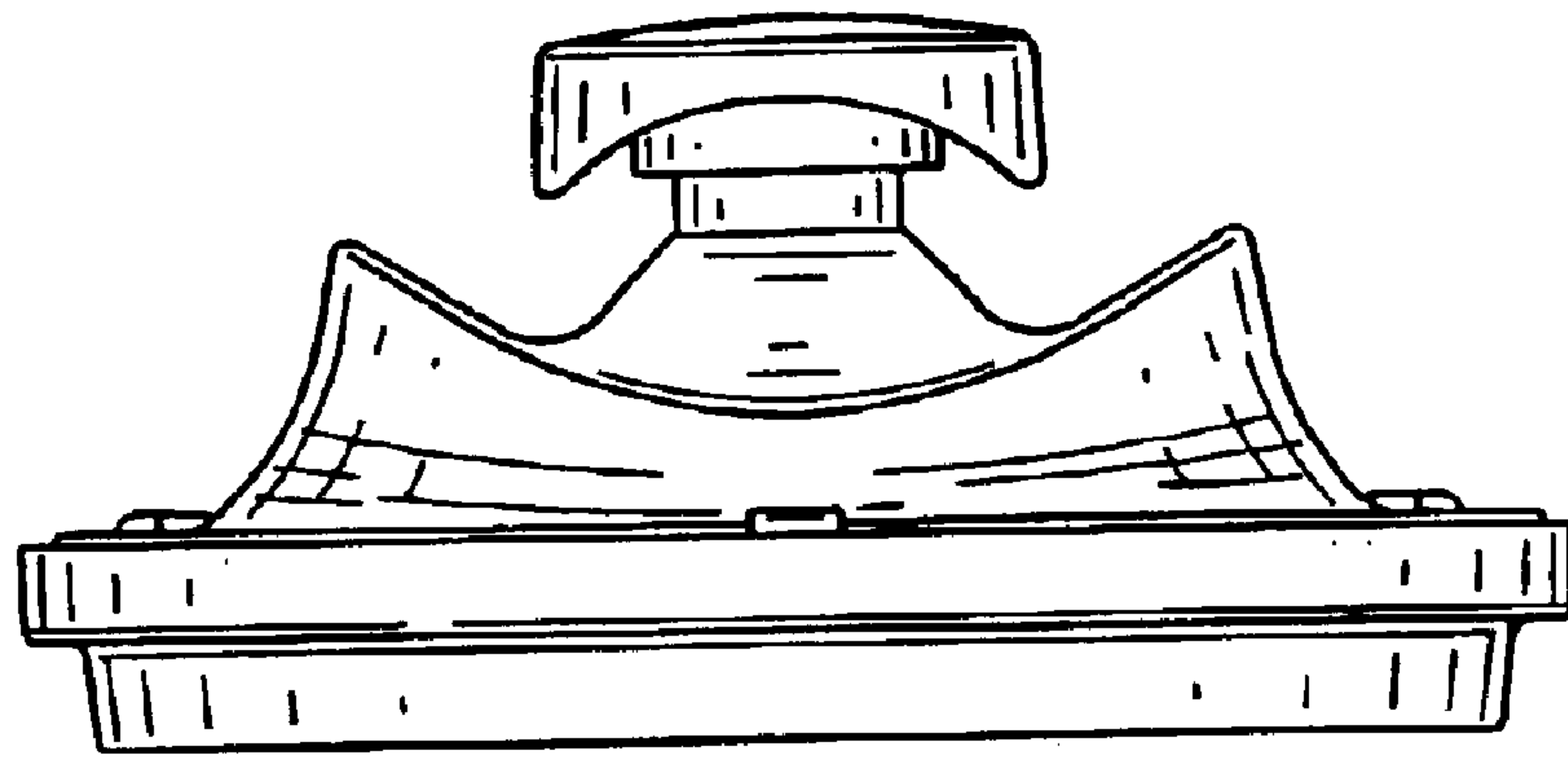


FIG. 10

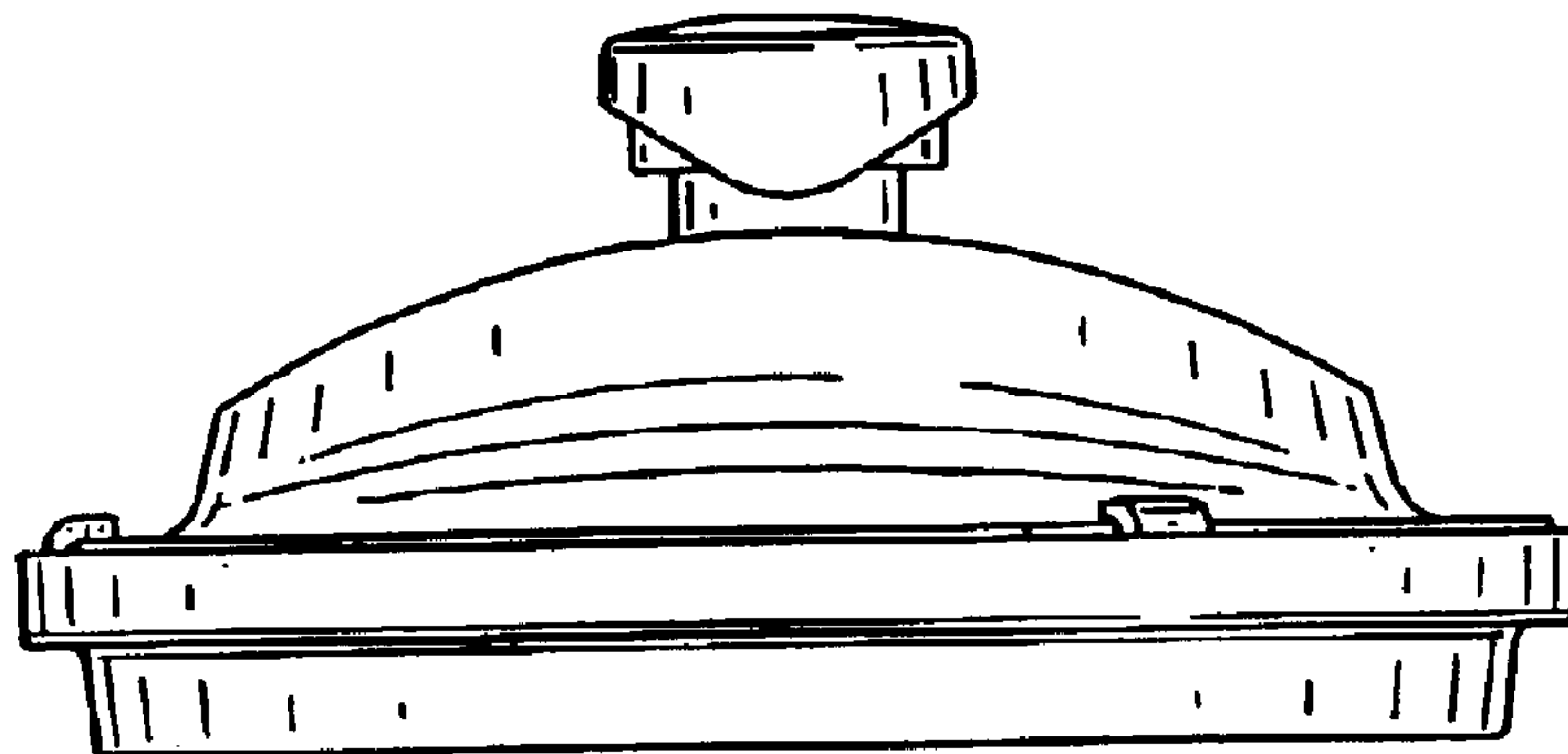


FIG. 11