

US00D499324S

(12) **United States Design Patent**  
**Gist**

(10) **Patent No.:** **US D499,324 S**

(45) **Date of Patent:** **\*\* Dec. 7, 2004**

(54) **SAW HANDLE GRIP**

6,516,525 B2 2/2003 Liu ..... 30/519  
D480,939 S \* 10/2003 Huang ..... D8/97  
D483,639 S \* 12/2003 Jiminez ..... D8/97

(75) **Inventor:** **Daily Gist**, Huntsville, NC (US)

\* cited by examiner

(73) **Assignee:** **Irwin Industrial Tools**, Freeport, IL (US)

*Primary Examiner*—Philip S. Hyder

(\*\*) **Term:** **14 Years**

(74) *Attorney, Agent, or Firm*—Brinks Hofer Gilson & Lione

(21) **Appl. No.:** **29/193,264**

(57) **CLAIM**

(22) **Filed:** **Nov. 5, 2003**

The ornamental design for a saw handle grip, as shown and described.

(51) **LOC (7) Cl.** ..... **08-03**

(52) **U.S. Cl.** ..... **D8/97; D8/107**

(58) **Field of Search** ..... D8/95, 96, 97, D8/98, 99, 100, 107; 30/507, 509, 513, 514, 515, 517, 519; 81/488, 489; 16/110.1

**DESCRIPTION**

(56) **References Cited**

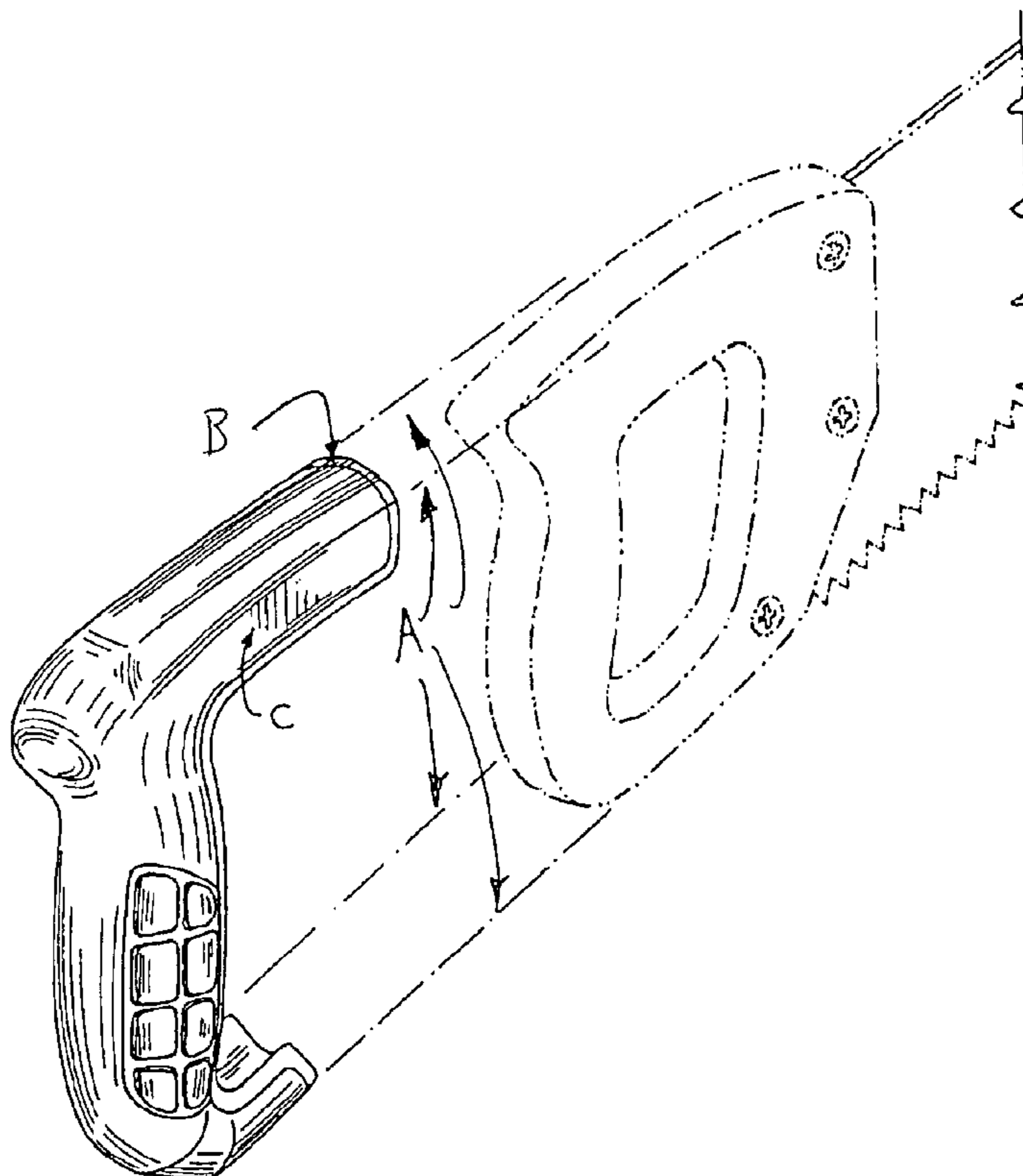
**U.S. PATENT DOCUMENTS**

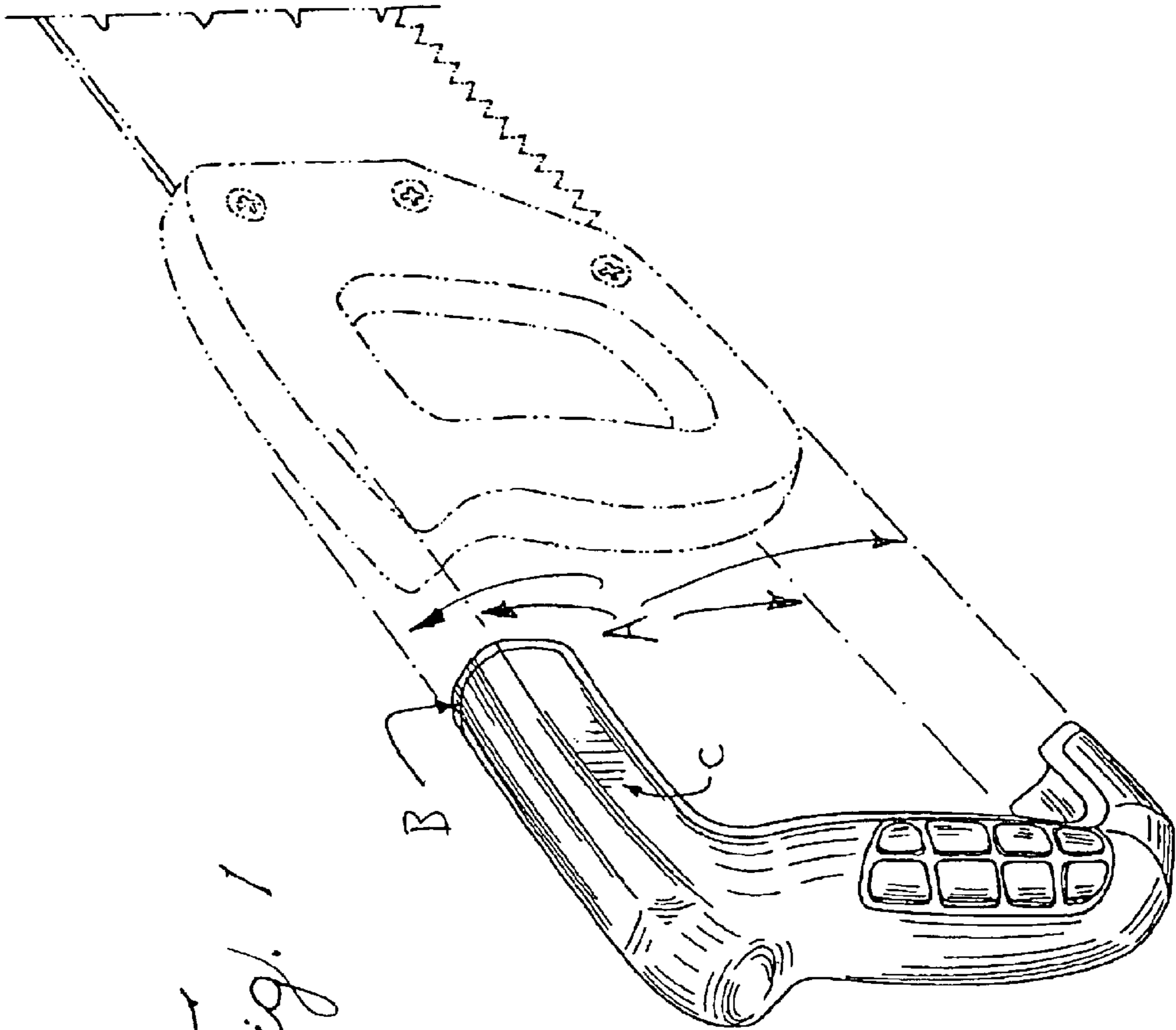
D231,076 S	4/1974	Carlson et al.	.....	D8/97
D341,761 S	* 11/1993	Weimann	.....	D8/97
D395,218 S	* 6/1998	Martin	.....	D8/97
D436,829 S	* 1/2001	Benktzon et al.	.....	D8/107
D442,458 S	* 5/2001	Jimenez	.....	D8/97
D466,784 S	12/2002	Chen et al.	.....	D8/77
D468,614 S	* 1/2003	Kanzawa	.....	D8/97
D468,615 S	* 1/2003	Kanzawa	.....	D8/97

FIG. 1 is a perspective view of a saw handle grip showing my new design, with a hand saw shown in broken line form; FIG. 2 is a rear side view thereof; FIG. 3 is a right side view thereof, which is a mirror image of the left side view; FIG. 4 is a front view thereof; FIG. 5 is a bottom view thereof; and, FIG. 6 is a top view thereof.

The ornamental design which is claimed is shown in solid lines in the drawings. Any broken lines in the drawings are for illustrative purposes only and form no part of the claimed design.

**1 Claim, 2 Drawing Sheets**





*Fig. 1*

