

US00D499321S

(12) **United States Design Patent**
Buck et al.

(10) **Patent No.: US D499,321 S**

(45) **Date of Patent: ** Dec. 7, 2004**

(54) **FASTENER TOOL**

(75) Inventors: **John E. Buck**, Cockeysville, MD (US);
C. Kerwin Braddock, Bel Air, MD (US)

(73) Assignee: **Black & Decker Inc.**, Newark, DE (US)

(**) Term: **14 Years**

(21) Appl. No.: **29/201,335**

(22) Filed: **Mar. 12, 2004**

(51) **LOC (7) Cl. 08-05**

(52) **U.S. Cl. D8/68; D8/69**

(58) **Field of Search** D8/14.1, 61, 62, D8/63, 64, 65, 66, 67, 68, 69, 70; 81/57.11, 429, 464, 465, 466, 469, 489; 173/13, 169, 178, 213, 217; 227/8, 114, 120, 130, 136, 142; 310/50; 408/20, 124, 125, 234, 241 R; 451/358

(56) **References Cited**

U.S. PATENT DOCUMENTS

3,106,136	A	*	10/1963	Langas et al.	173/169
4,524,896	A	*	6/1985	Morrell, Jr.	227/120
D316,022	S	*	4/1991	Moraht	D8/69
D338,818	S	*	8/1993	Katsuba	D8/62
5,564,614	A	*	10/1996	Yang	227/8
5,588,577	A	*	12/1996	Chen	227/130
D396,178	S	*	7/1998	Hattori	D8/61
5,967,396	A	*	10/1999	Chuang	227/120
6,036,072	A	*	3/2000	Lee	227/120
D435,770	S	*	1/2001	Arai	D8/68
D458,525	S	*	6/2002	Buck	D8/68
D459,184	S	*	6/2002	Buck	D8/69

D459,185	S	*	6/2002	Buck	D8/69
D461,694	S	*	8/2002	Buck	D8/68
D462,884	S	*	9/2002	Oh	D8/69
D475,597	S	*	6/2003	Arai	D8/68
D477,513	S	*	7/2003	Bor	D8/69
D477,759	S	*	7/2003	Buck	D8/68
D477,760	S	*	7/2003	Chang	D8/68
D477,762	S	*	7/2003	Bor	D8/68
D478,490	S	*	8/2003	Wu	D8/69
D479,110	S	*	9/2003	Nolan et al.	D8/68
6,669,072	B2	*	12/2003	Burke et al.	173/178
6,695,193	B1	*	2/2004	Chang	227/8
6,695,194	B1	*	2/2004	Chang	227/8
D491,035	S	*	6/2004	Buck	D8/68
2002/0056739	A1	*	5/2002	Liu	227/8
2002/0104868	A1	*	8/2002	Miller et al.	227/8

* cited by examiner

Primary Examiner—Joel A. Sincavage

Assistant Examiner—T. Chase Nelson

(74) *Attorney, Agent, or Firm*—Adan Ayala

(57) **CLAIM**

The ornamental design for a fastener tool, as shown and described.

DESCRIPTION

FIG. 1 is a perspective view of an embodiment of a fastener tool according to the invention.

FIG. 2 is a right side elevational view of the embodiment.

FIG. 3 is a left side elevational view of the embodiment.

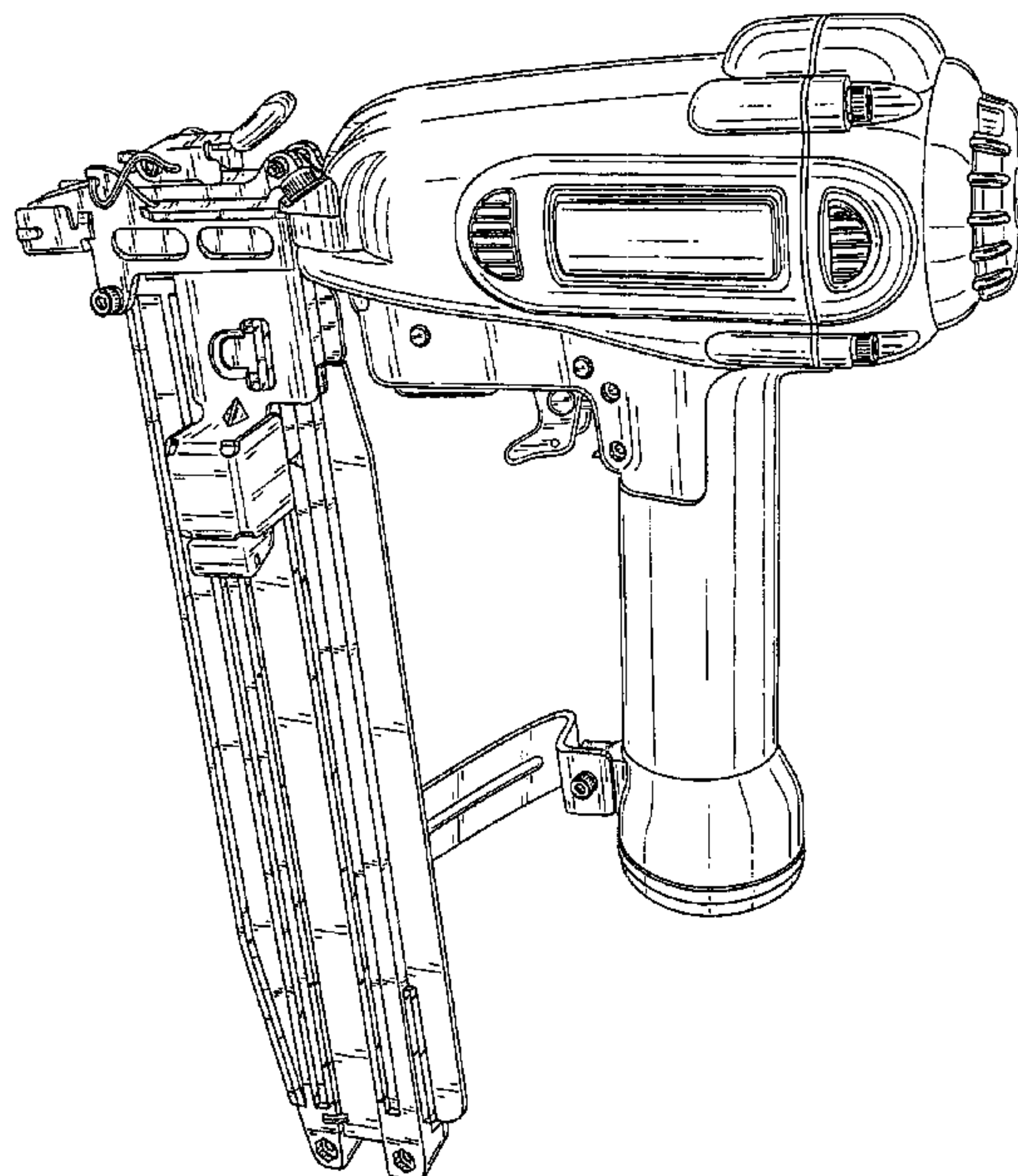
FIG. 4 is a bottom plan view of the embodiment.

FIG. 5 is a top plan view of the embodiment.

FIG. 6 is a front elevational view of the embodiment; and,

FIG. 7 is a rear elevational view of the embodiment.

1 Claim, 5 Drawing Sheets



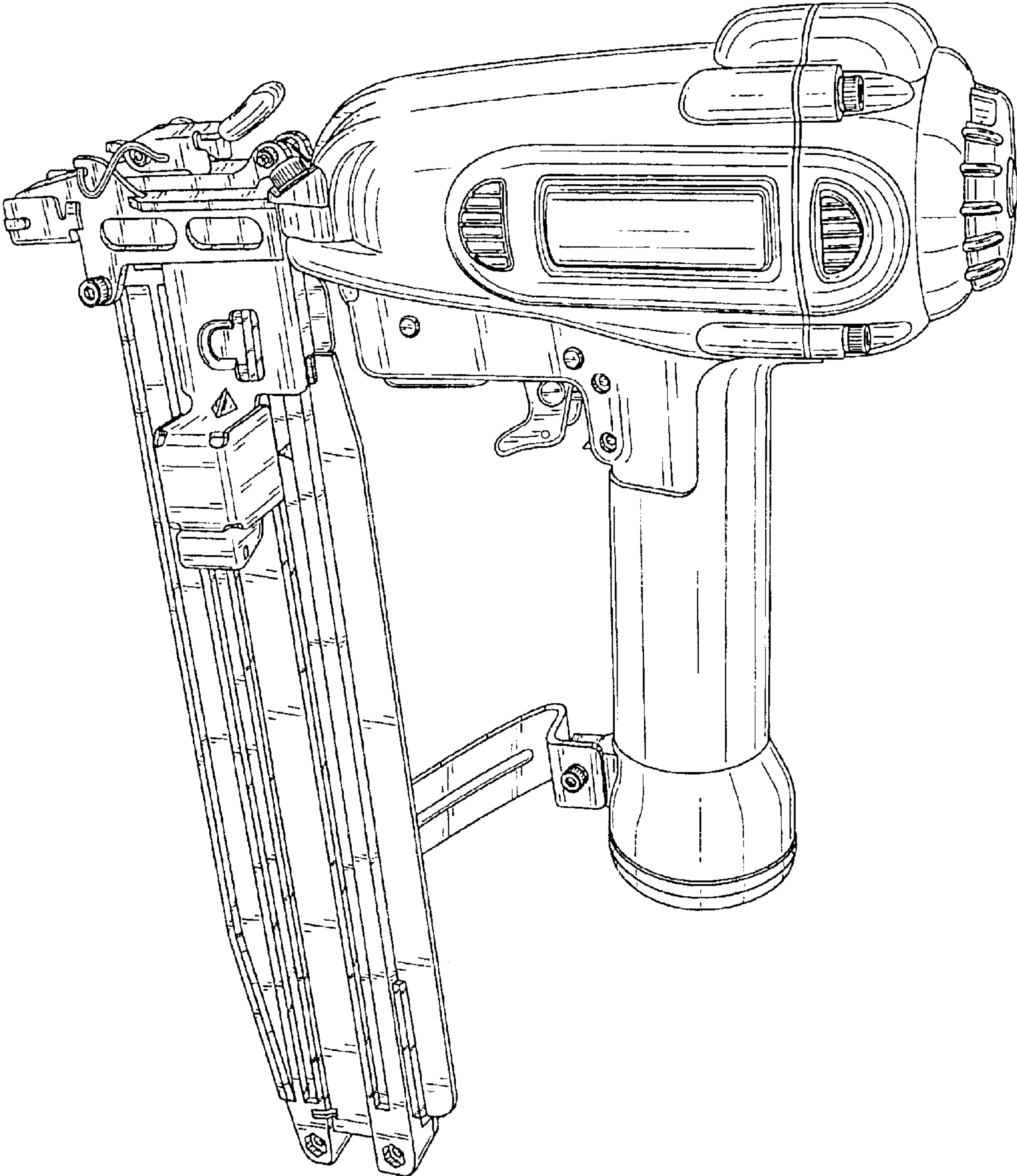


FIG. 1

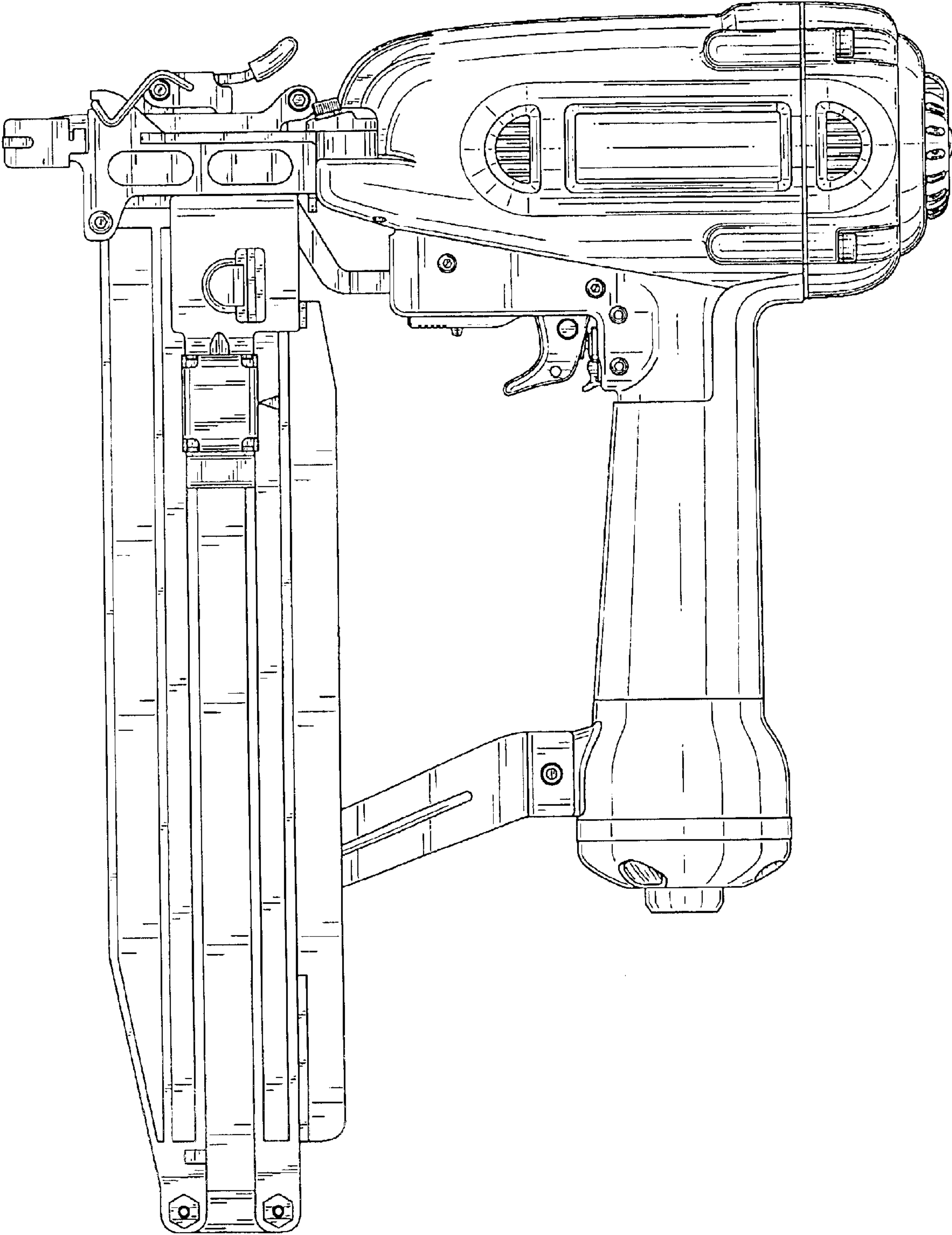


FIG. 2

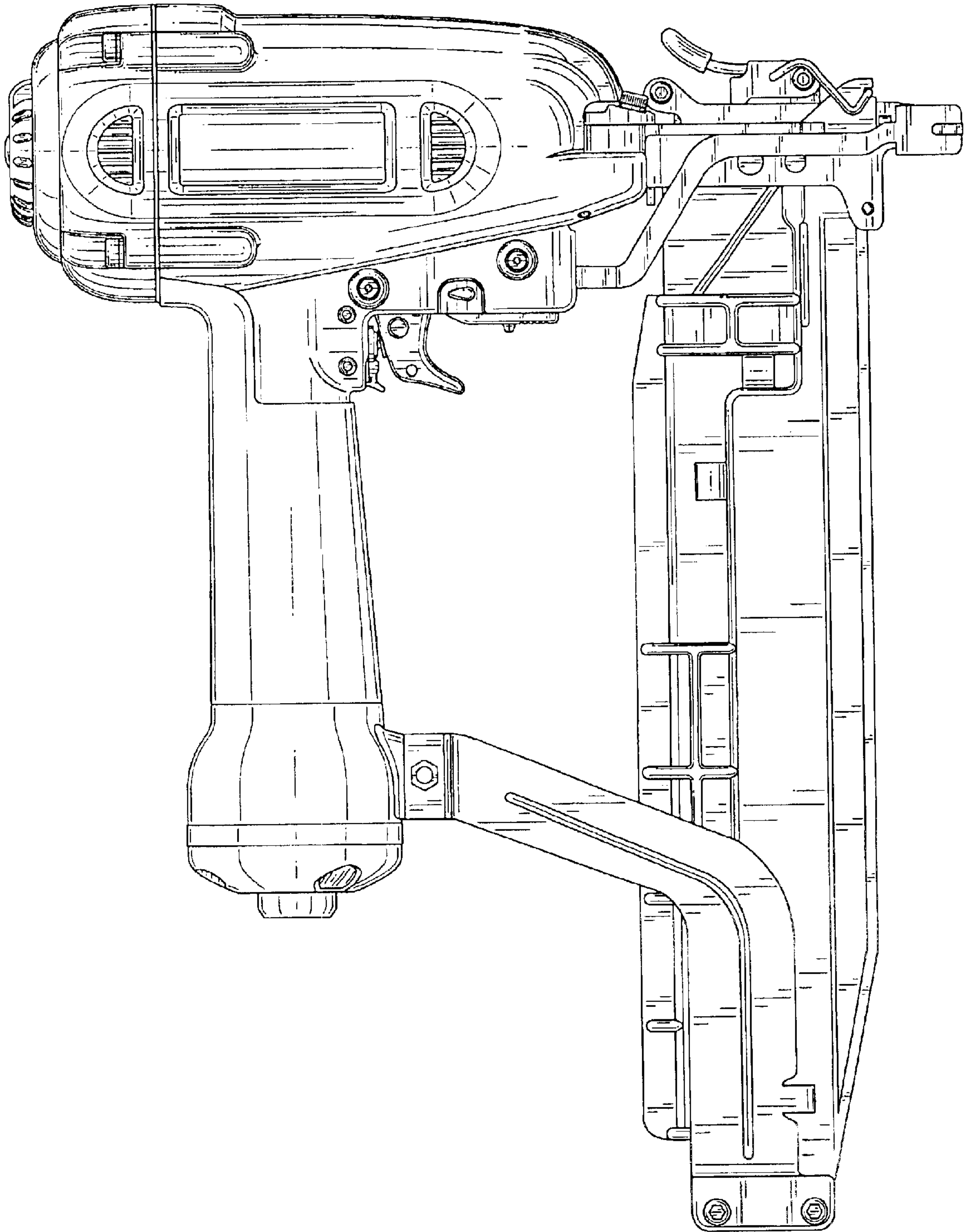


FIG. 3

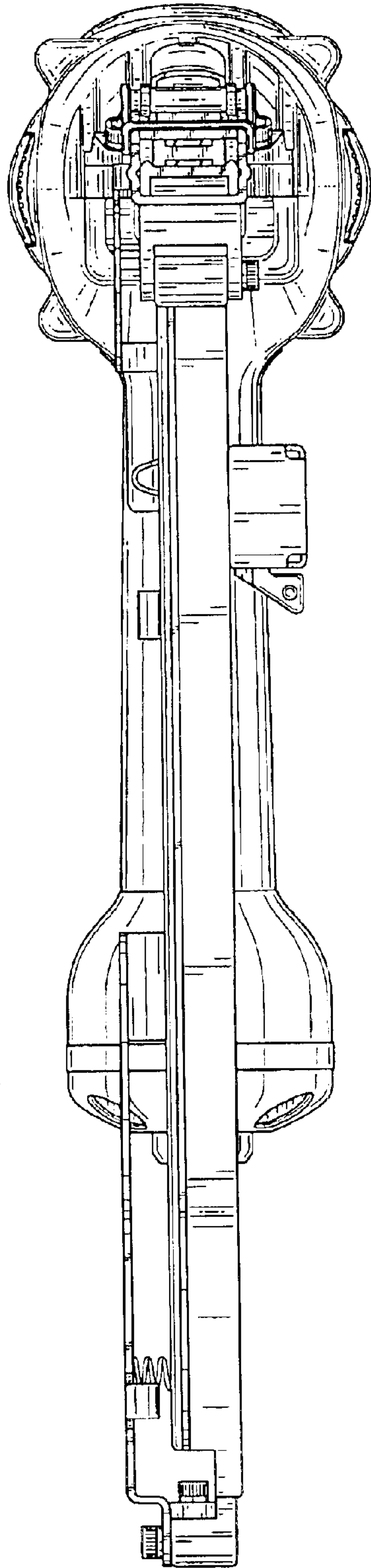


FIG. 4

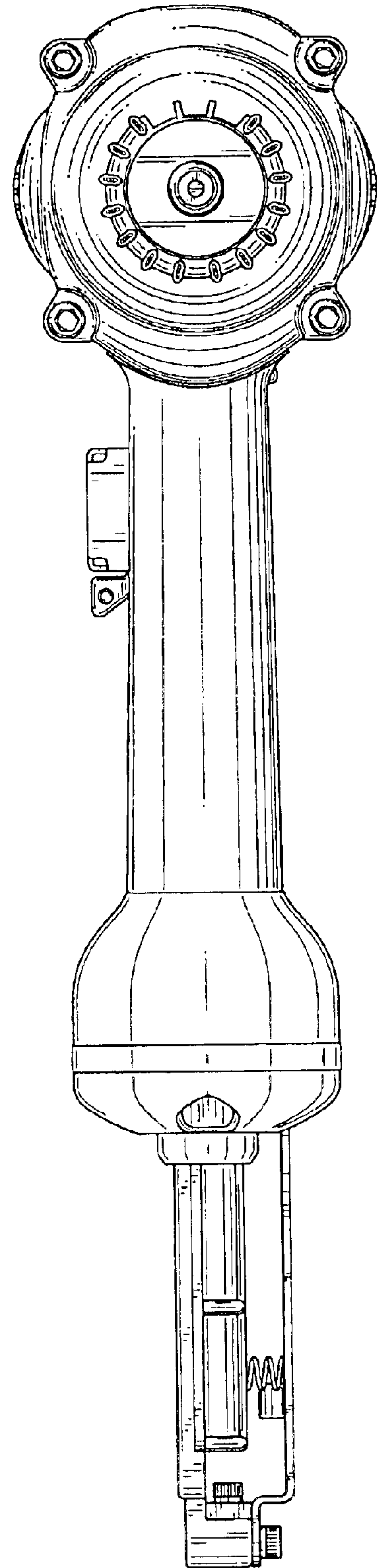


FIG. 5

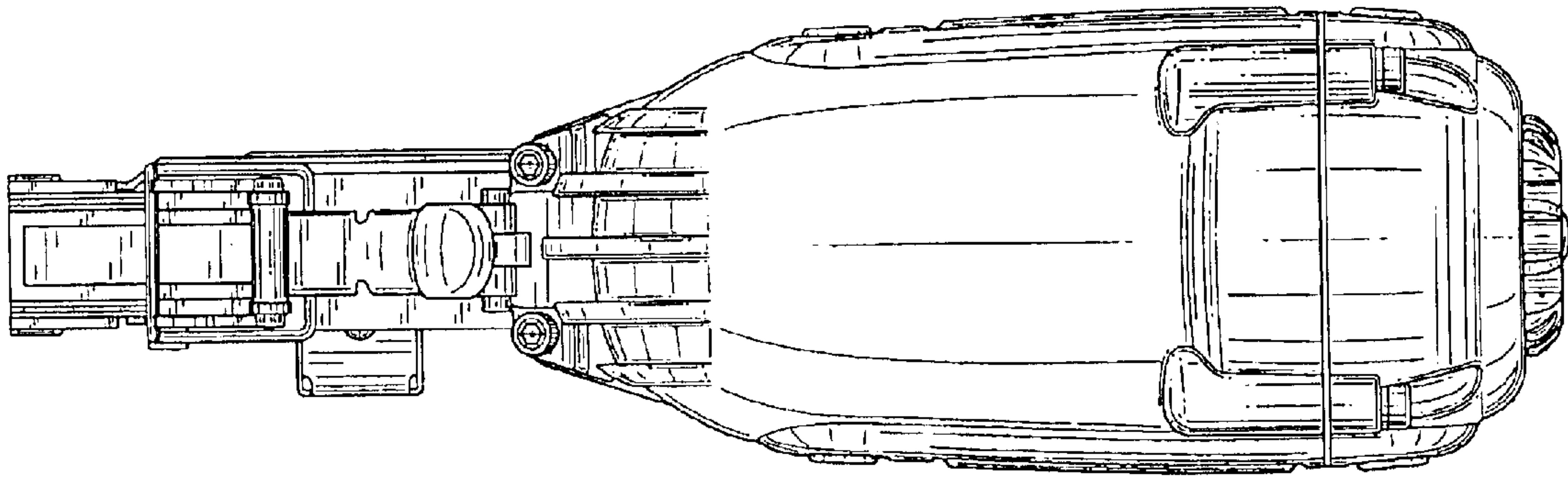


FIG. 6

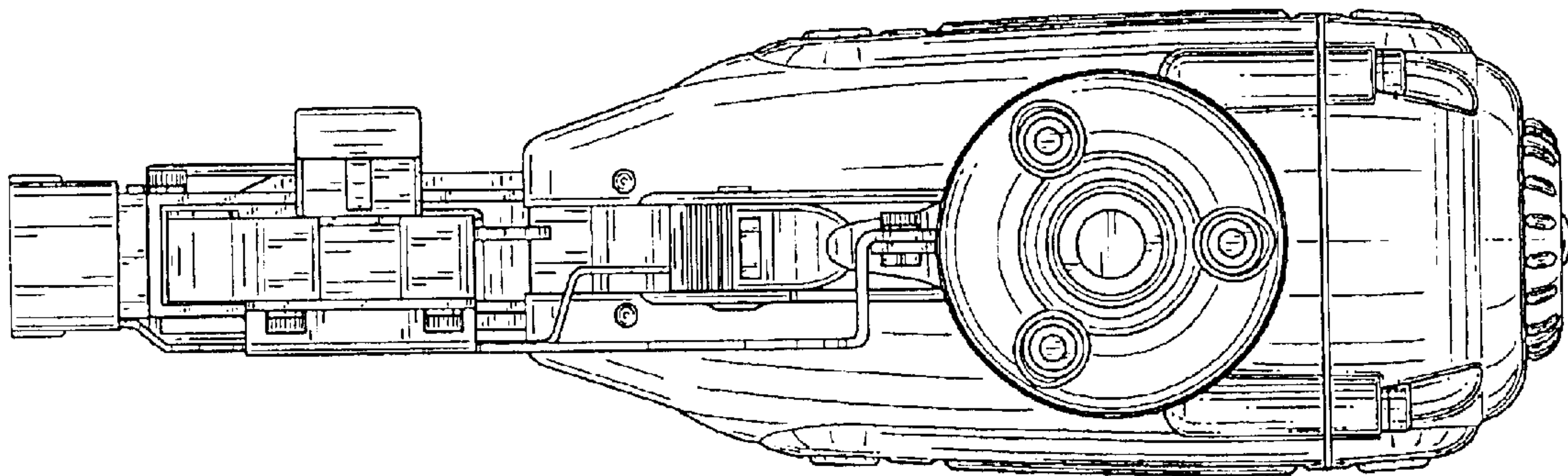


FIG. 7