

US00D499318S

(12) **United States Design Patent**
McLean

(10) **Patent No.:** **US D499,318 S**
(45) **Date of Patent:** **** Dec. 7, 2004**

- (54) **HANDLE**
- (75) **Inventor:** **Mark A. McLean**, Wausau, WI (US)
- (73) **Assignee:** **Alterra Holdings Corporation**, Tigard, OR (US)
- (**) **Term:** **14 Years**
- (21) **Appl. No.:** **29/188,268**
- (22) **Filed:** **Aug. 15, 2003**

- D83,868 S 4/1931 Lindsey
- 1,853,187 A 4/1932 Wily
- D189,486 S 12/1960 Walsh et al.
- 3,107,937 A 10/1963 Duppenglesser
- D262,351 S 12/1981 Oas
- 6,145,899 A 11/2000 Kelemen

Primary Examiner—Robin V. Taylor
(74) *Attorney, Agent, or Firm*—Foley & Lardner

(57) **CLAIM**

The ornamental design for a handle, as shown and described.

Related U.S. Application Data

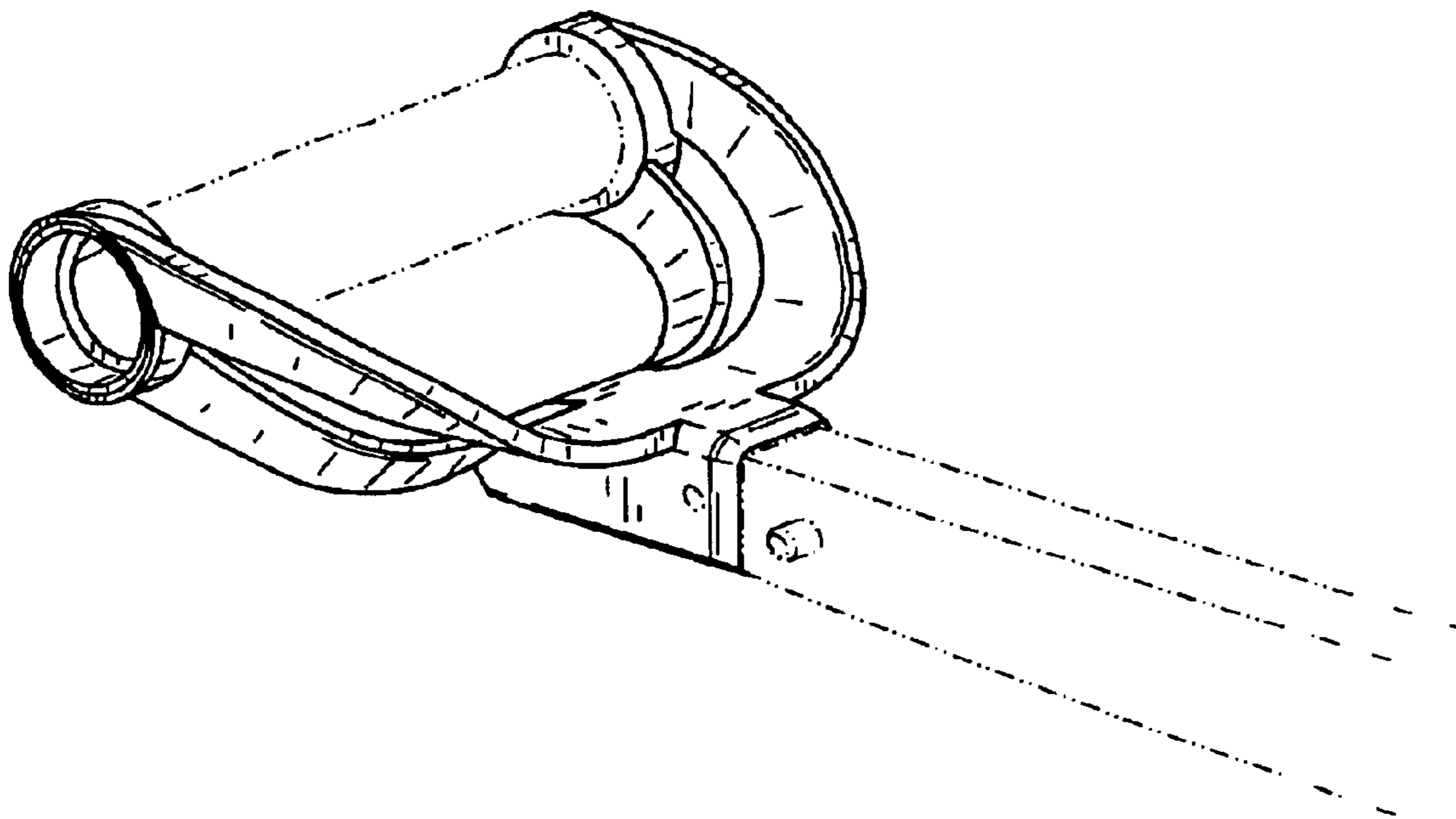
- (62) Division of application No. 29/166,631, filed on Aug. 30, 2002, now Pat. No. Des. 481,917.
- (51) **LOC (7) Cl.** **08-01**
- (52) **U.S. Cl.** **D8/10**
- (58) **Field of Search** D8/1, 10, 107;
294/57, 58, 54.5, 51

DESCRIPTION

FIG. 1 is a perspective view of yet another embodiment of a handle showing my new design.
 FIG. 2 is a right side view of the handle in FIG. 1;
 FIG. 3 is a top plan view of the handle in FIG. 1;
 FIG. 4 is a bottom plan view of the handle in FIG. 1;
 FIG. 5 is a rear view of the handle in FIG. 1; and,
 FIG. 6 is a front view of the handle in FIG. 1.
 The broken lines depicted in the figures are for illustrative purposes only and form no part of the claimed design.

- (56) **References Cited**
U.S. PATENT DOCUMENTS
1,476,783 A 12/1923 Webster

1 Claim, 2 Drawing Sheets



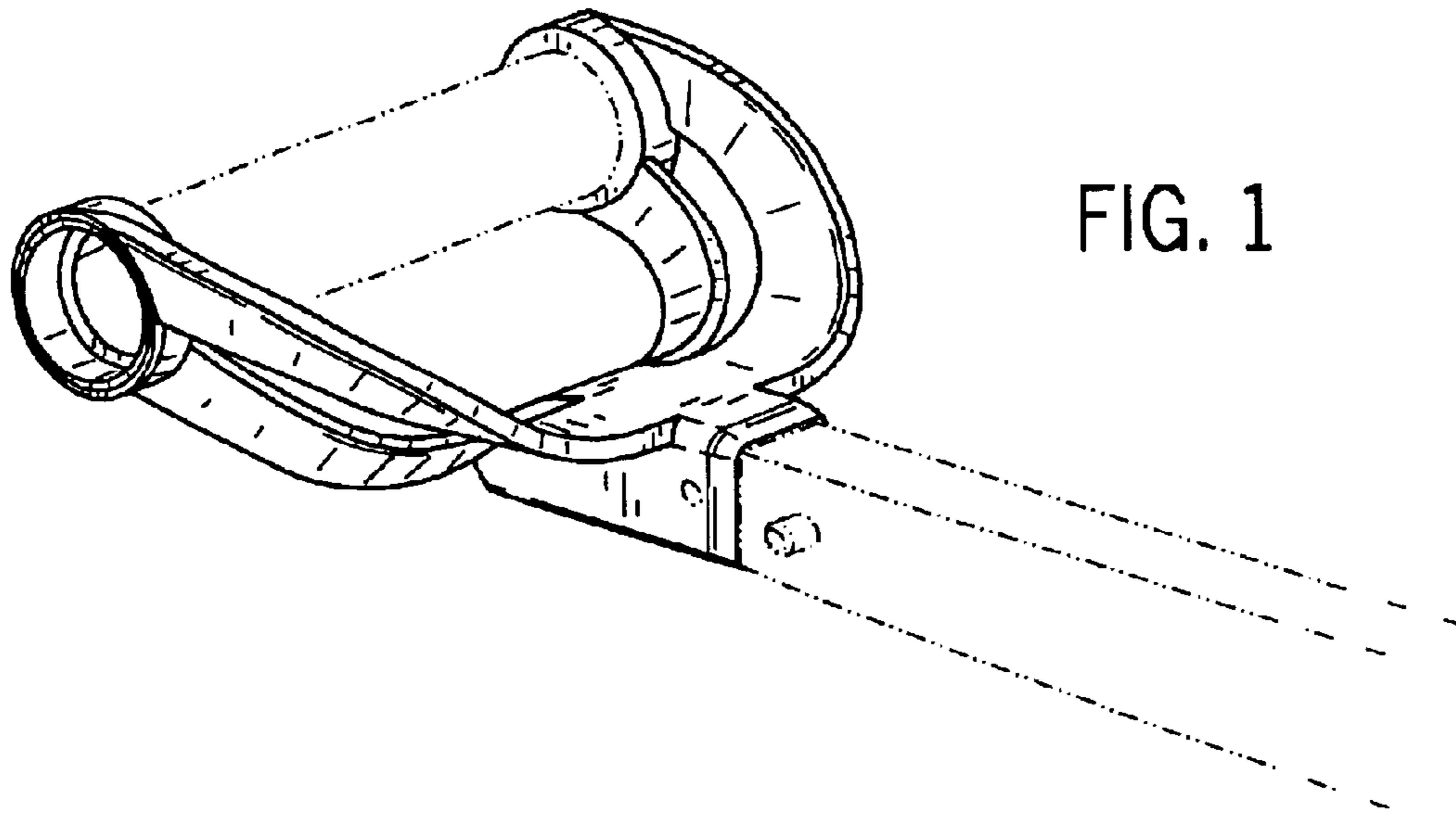


FIG. 1

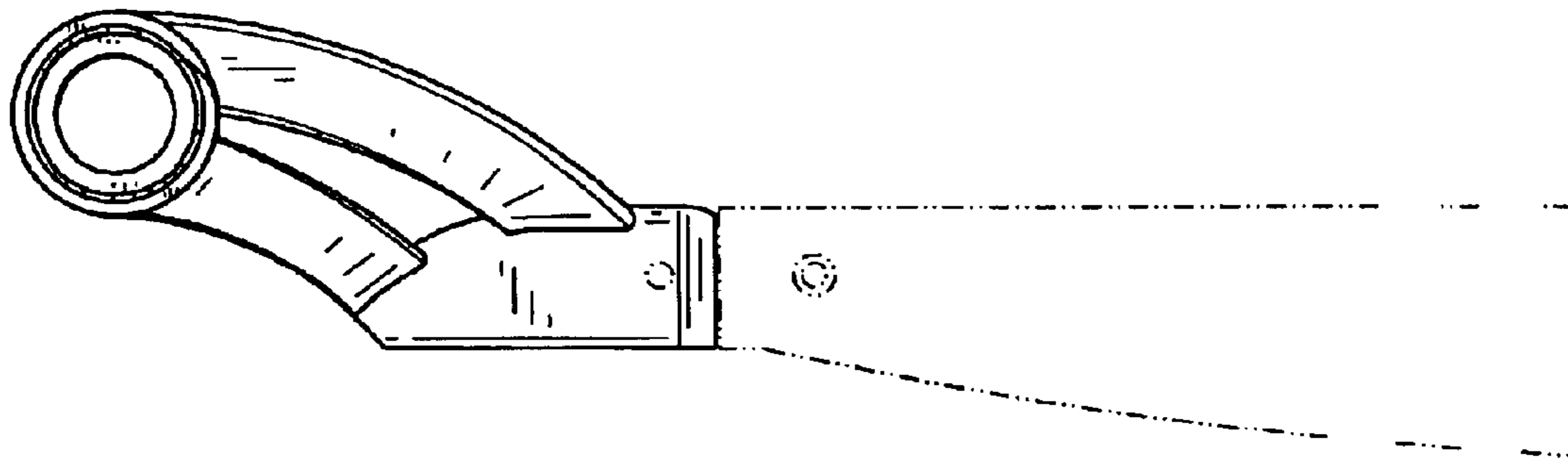


FIG. 2

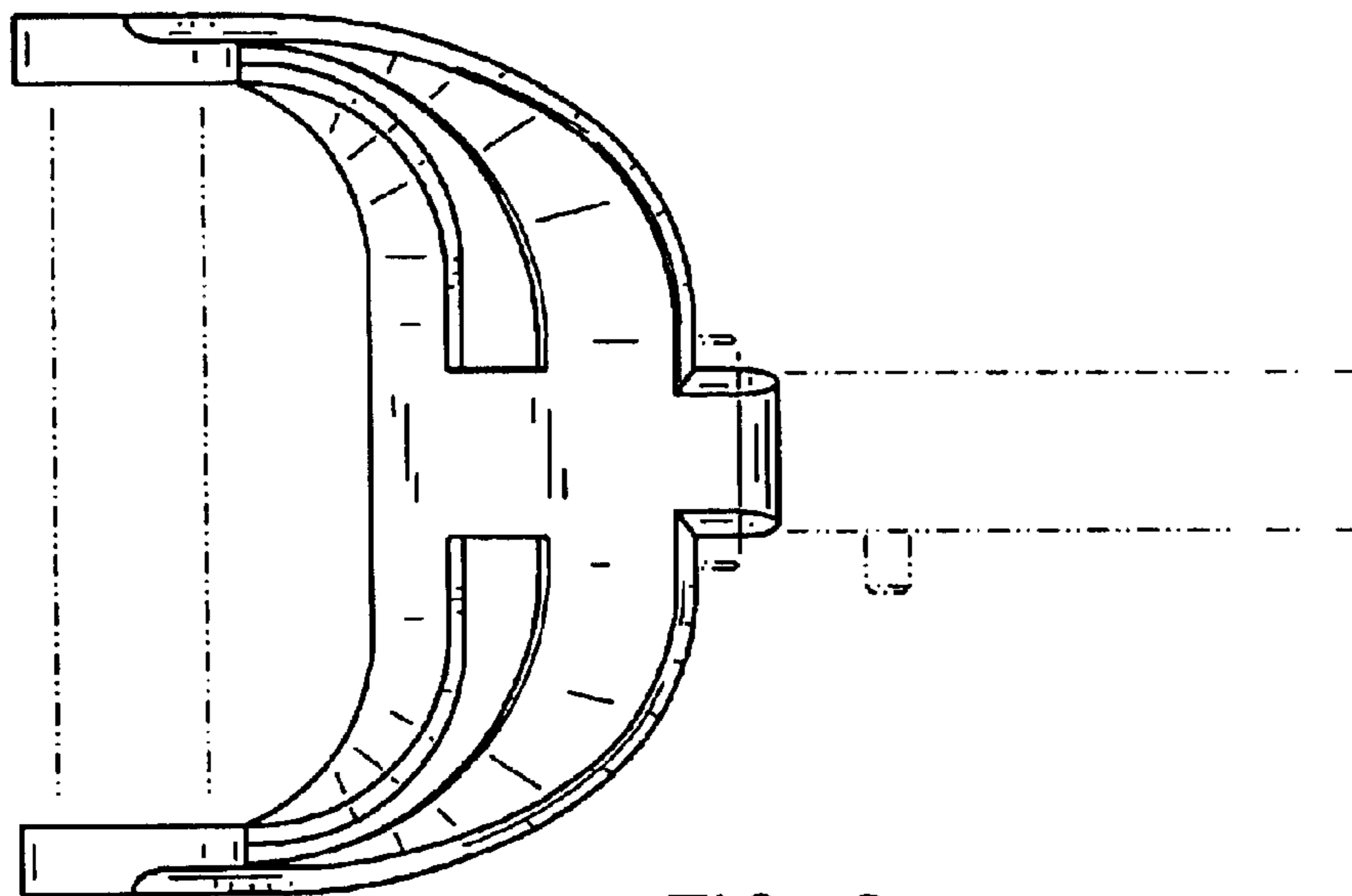


FIG. 3

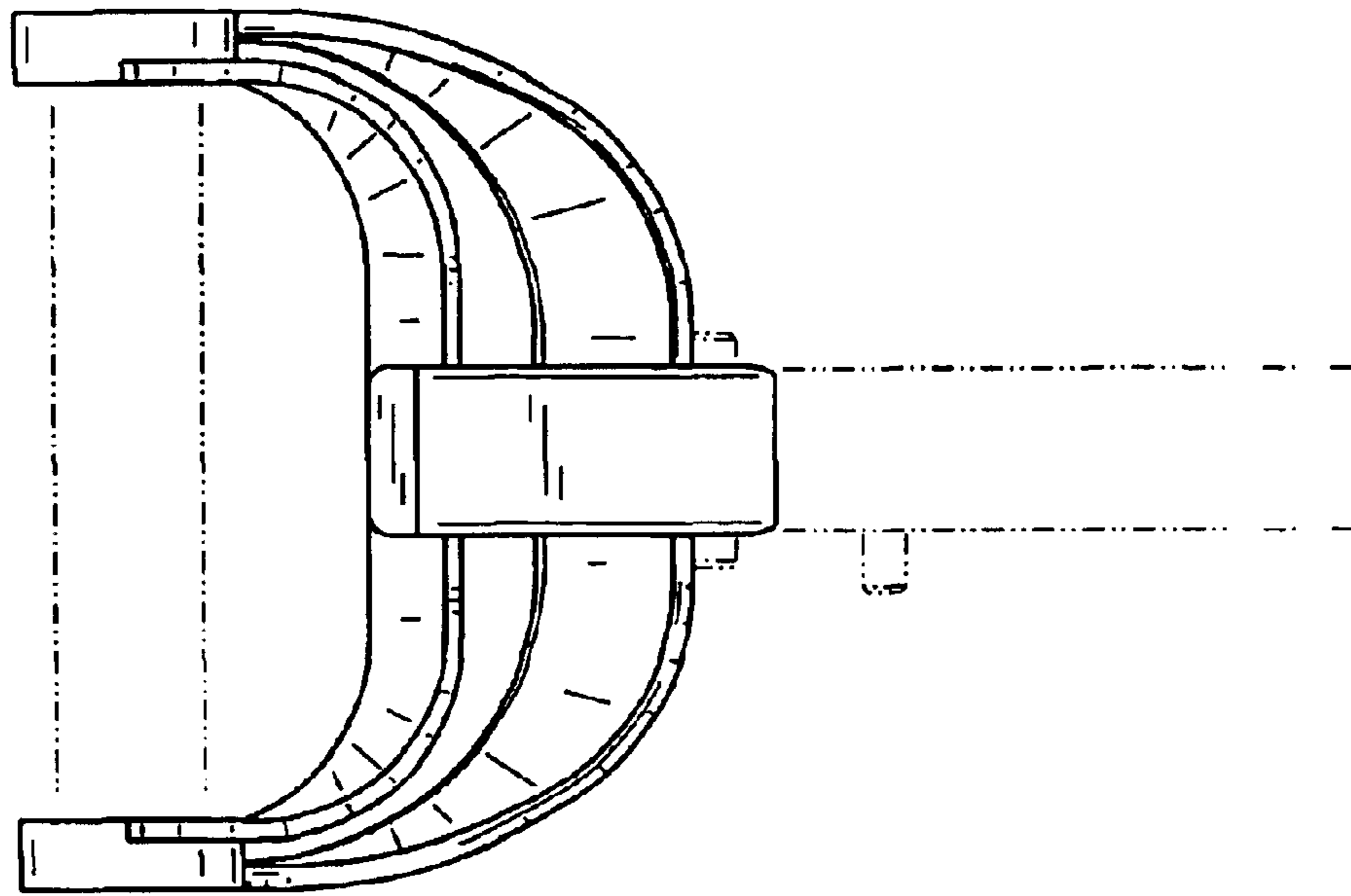


FIG. 4

FIG. 5

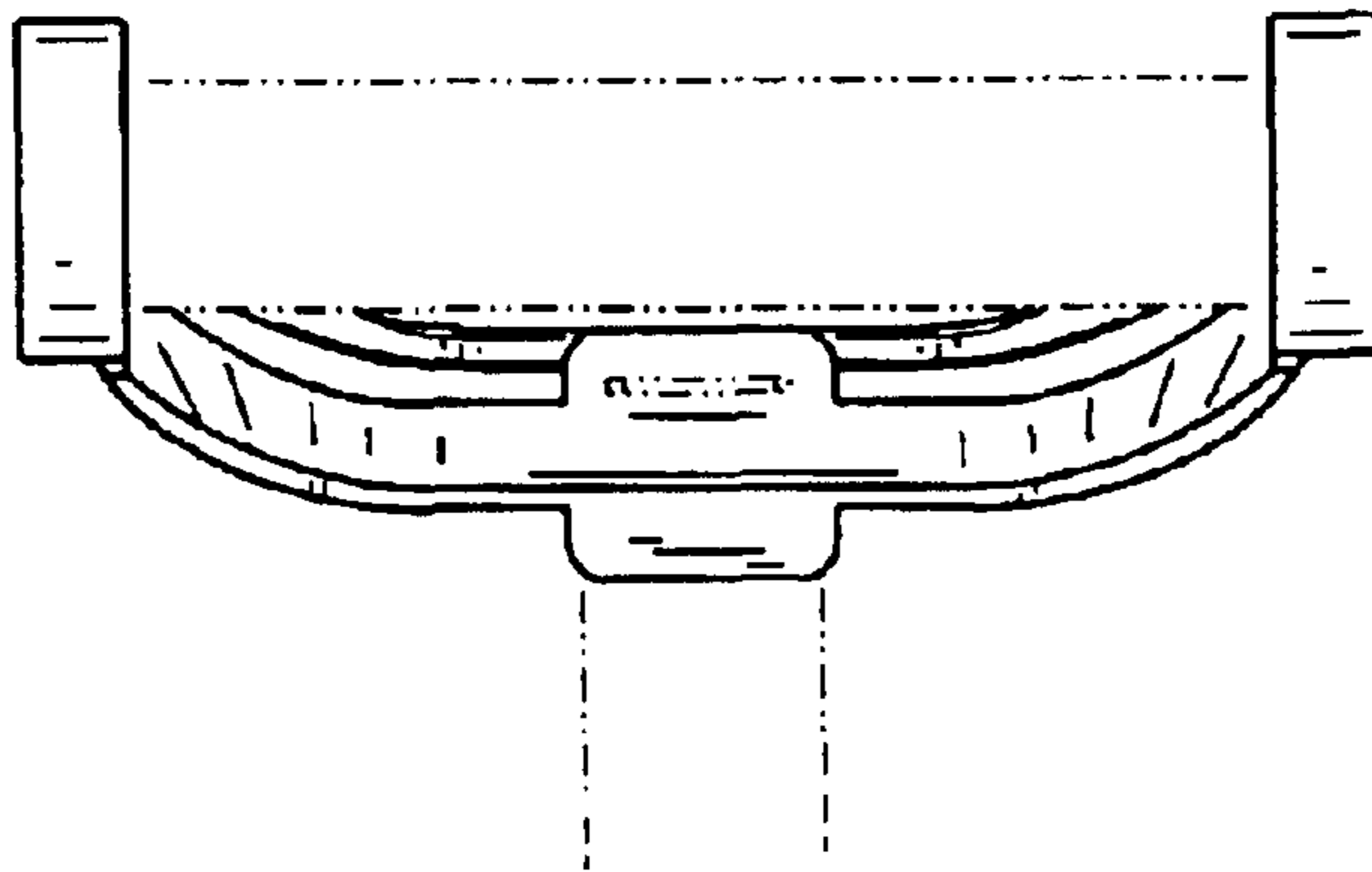


FIG. 6

