

US00D499312S

(12) **United States Design Patent** (10) **Patent No.:** **US D499,312 S**  
**So** (45) **Date of Patent:** **\*\* Dec. 7, 2004**

(54) **EGG YOLK SEPARATOR**

(76) **Inventor:** **Kwok Kuen So**, 2<sup>nd</sup> Floor, Chuan Yuan Factory Building, 342-344 Kwun Tong Road, Kwun Tong, Kowloon (HK)

(\*\*) **Term:** **14 Years**

(21) **Appl. No.:** **29/192,666**

(22) **Filed:** **Oct. 27, 2003**

(30) **Foreign Application Priority Data**

Aug. 11, 2003 (HK) ..... 0311301

(51) **LOC (7) Cl.** ..... **07-04**

(52) **U.S. Cl.** ..... **D7/667**

(58) **Field of Search** ..... D7/667, 682-696, D7/647, 653; 30/324-328; 99/497, 499

(56) **References Cited**

**U.S. PATENT DOCUMENTS**

2,018,162 A \* 10/1935 Weldon ..... 99/499  
2,212,502 A \* 8/1940 Leahey ..... 99/499  
3,749,001 A \* 7/1973 Swett ..... 99/499

\* cited by examiner

*Primary Examiner*—Terry A. Wallace

(74) *Attorney, Agent, or Firm*—Alix, Yale & Ristas, LLP

(57) **CLAIM**

The ornamental design for an egg yolk separator, as shown and described.

**DESCRIPTION**

FIG. 1 is a rear end, one side and top perspective view of an egg yolk separator showing my new design

FIG. 2 is a rear end, opposite side and bottom perspective view thereof;

FIG. 3 is a top plan view thereof;

FIG. 4 is a bottom plan view thereof;

FIG. 5 is a side elevational view thereof;

FIG. 6 is an opposite side elevational view thereof;

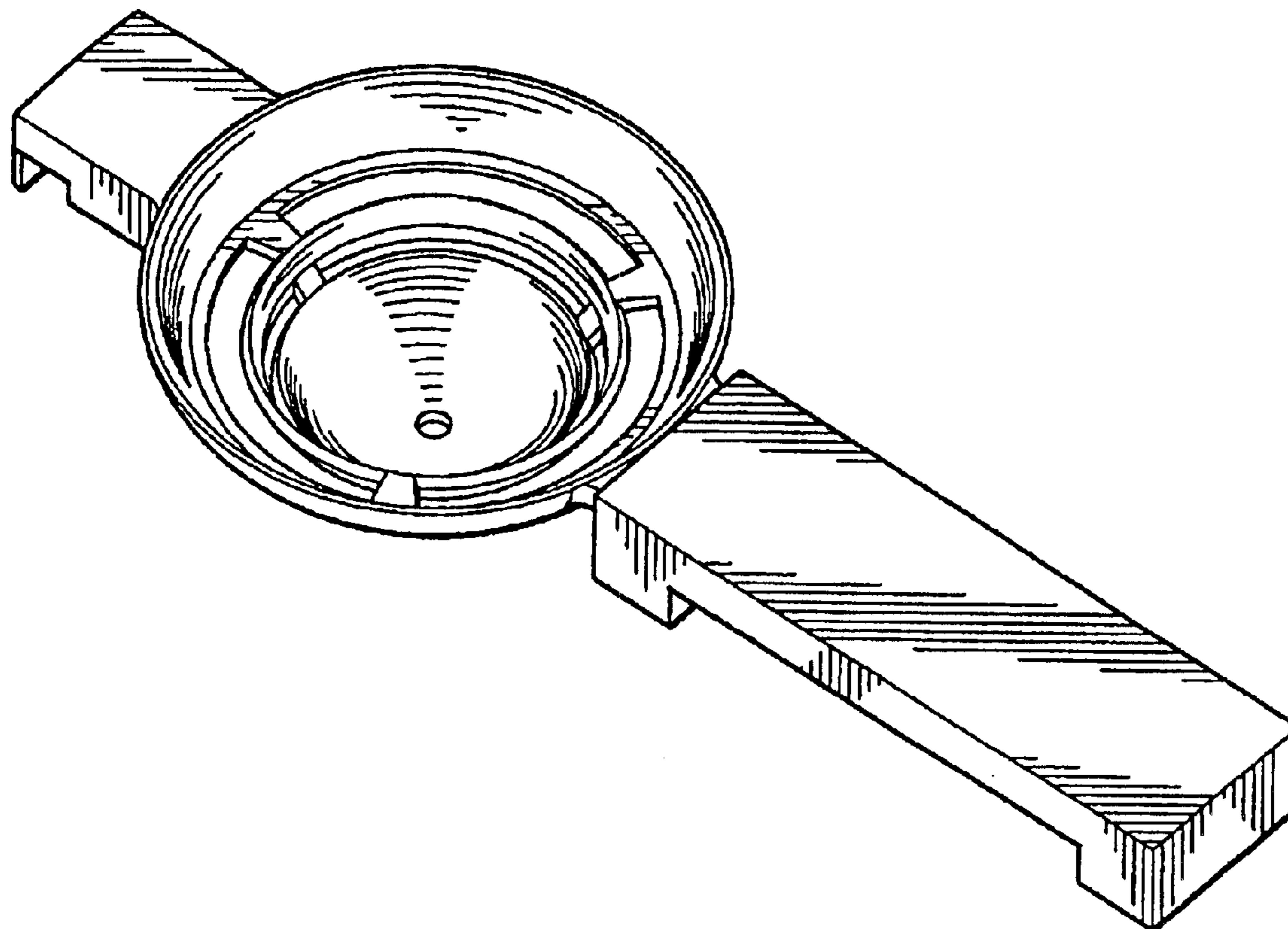
FIG. 7 is a front end elevational view thereof;

FIG. 8 is a rear end elevational view thereof;

FIG. 9 is a front end, one side and top perspective view thereof in an extended condition; and,

FIG. 10 is a front end, opposite side and bottom perspective view thereof in the extended condition.

**1 Claim, 4 Drawing Sheets**



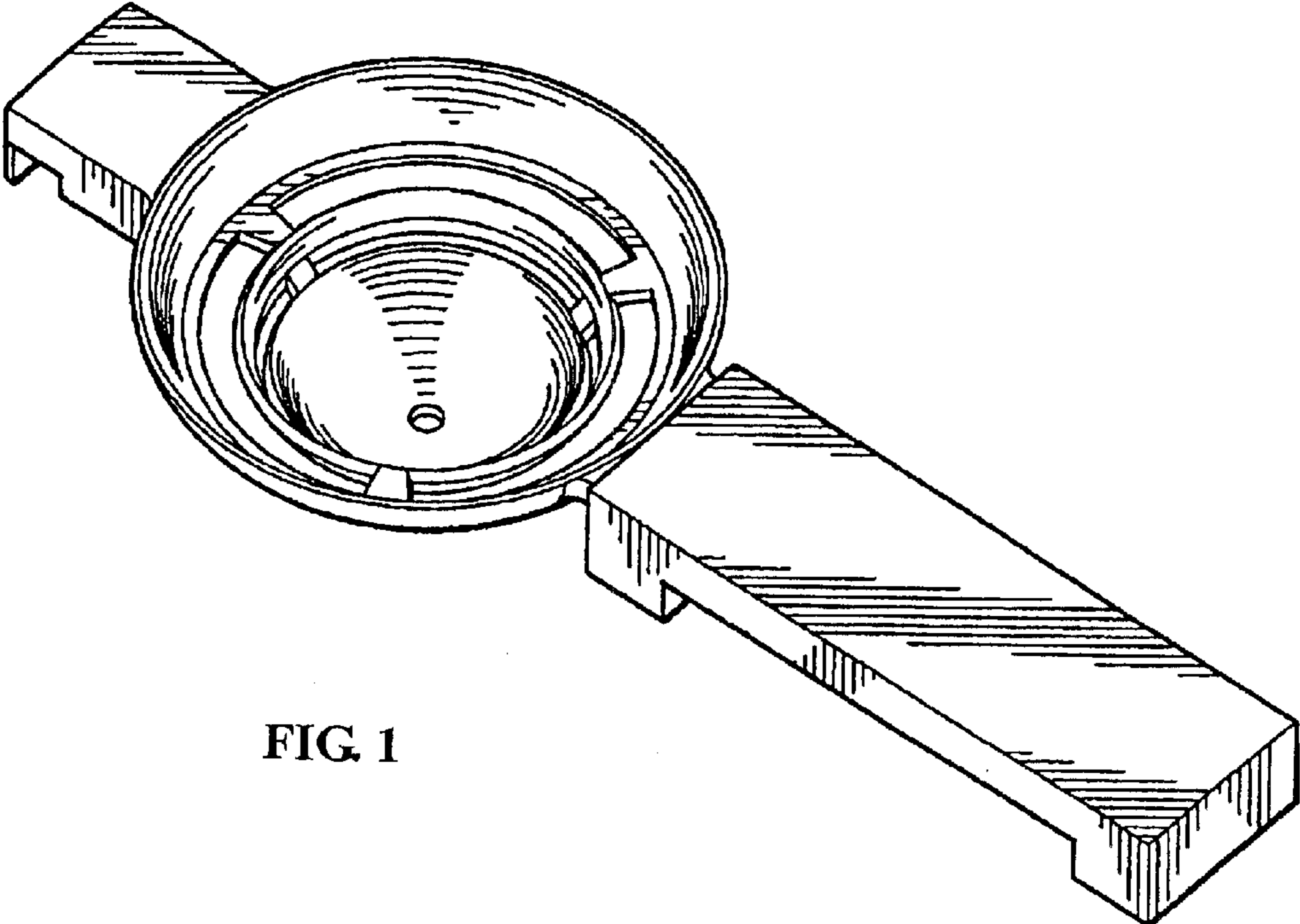


FIG. 1

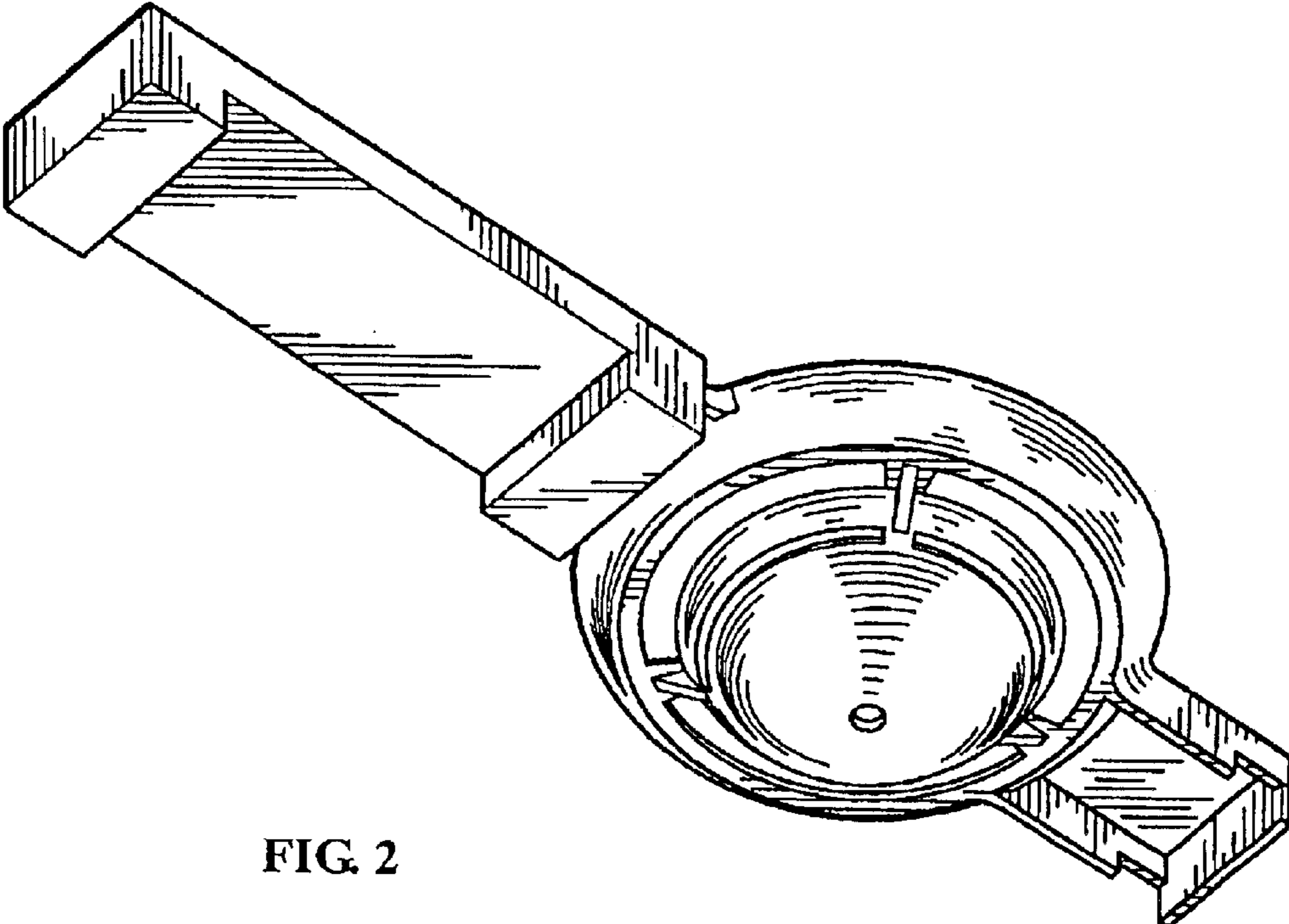


FIG. 2

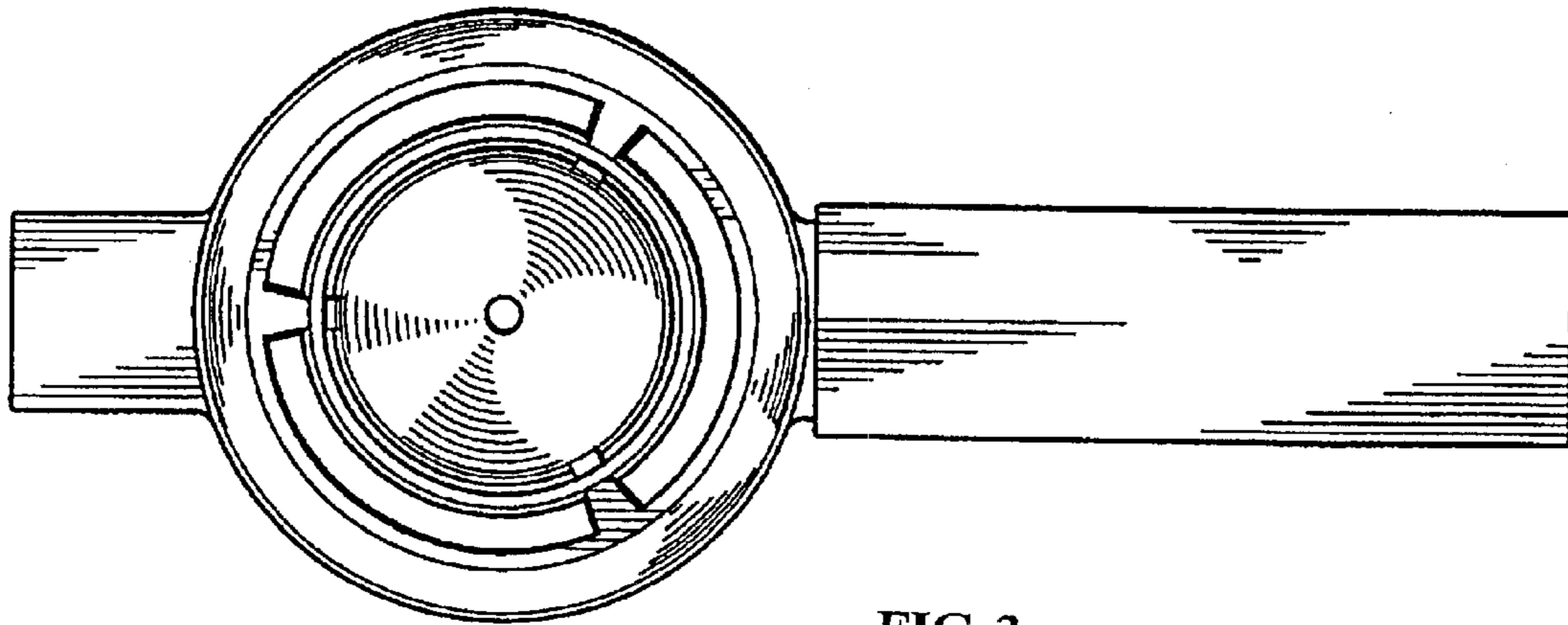


FIG. 3

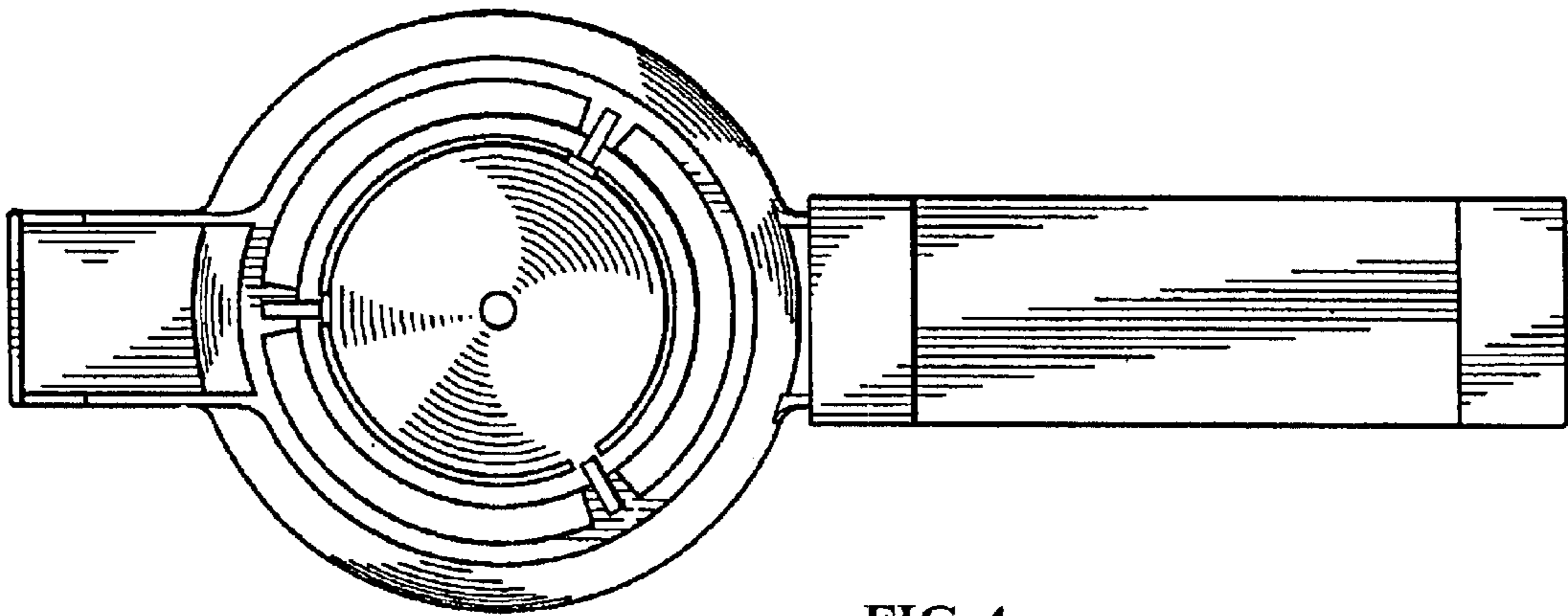


FIG. 4

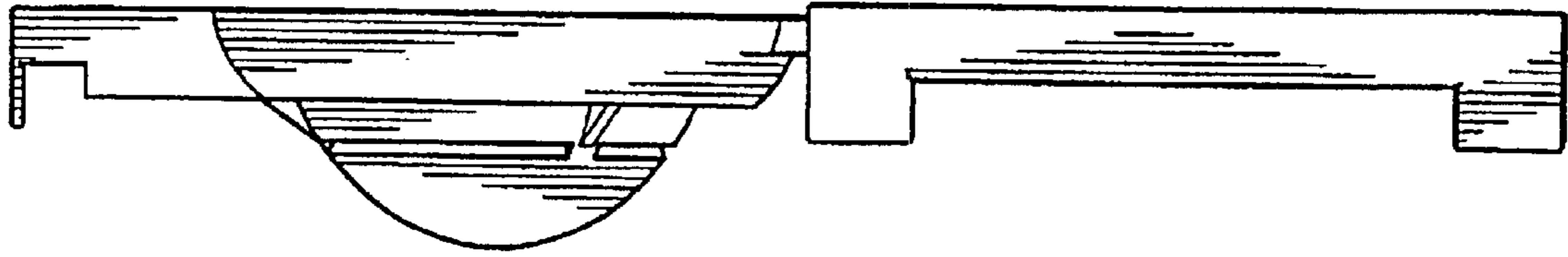


FIG. 5

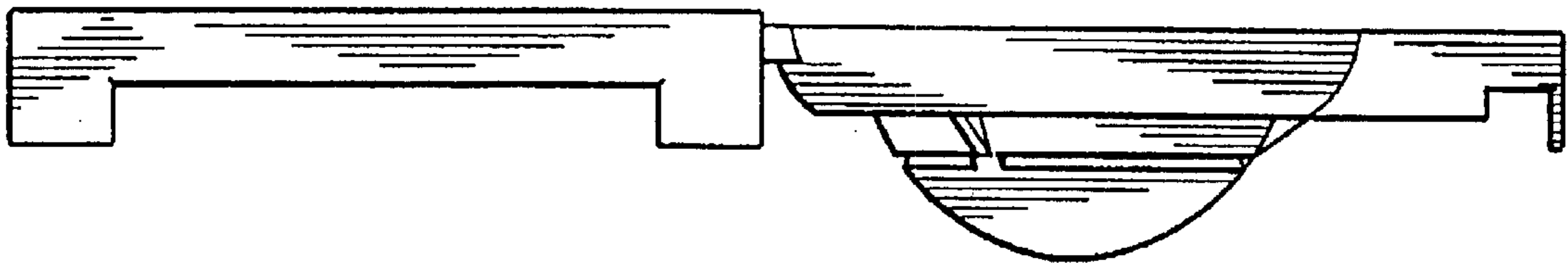


FIG. 6

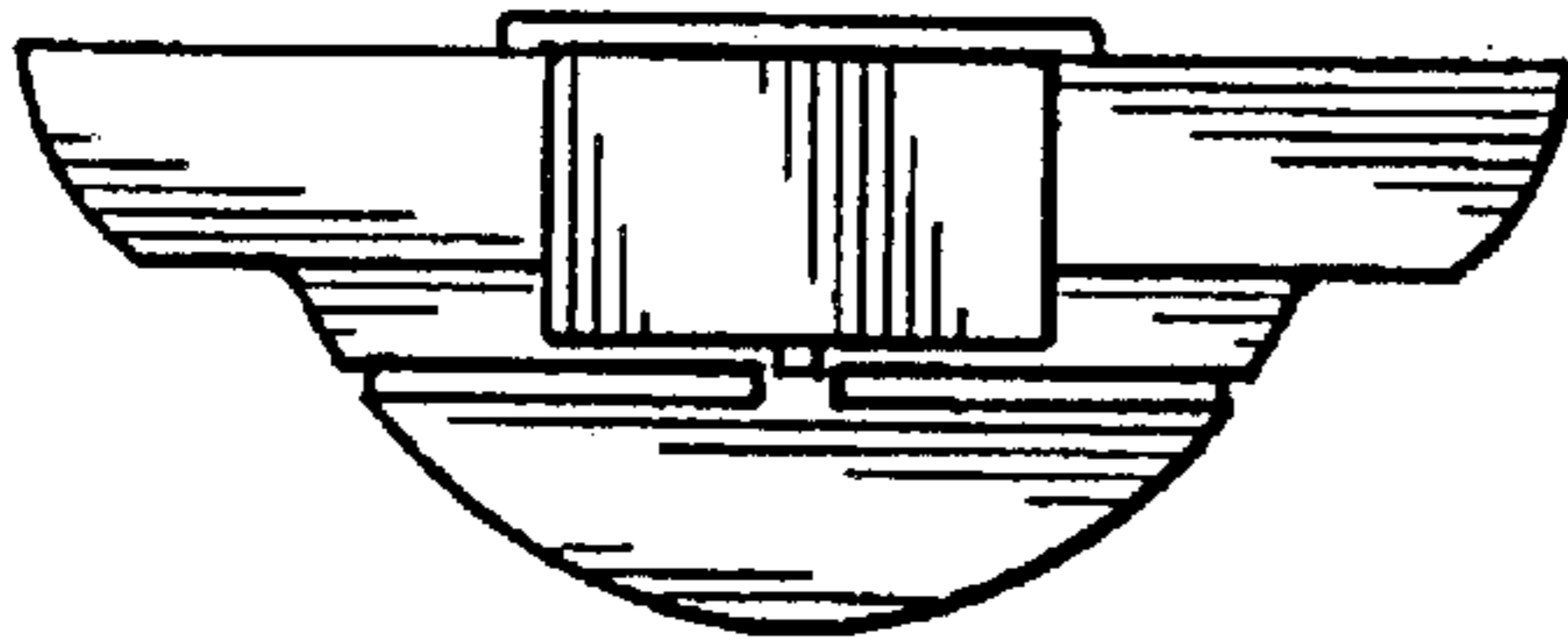


FIG. 7

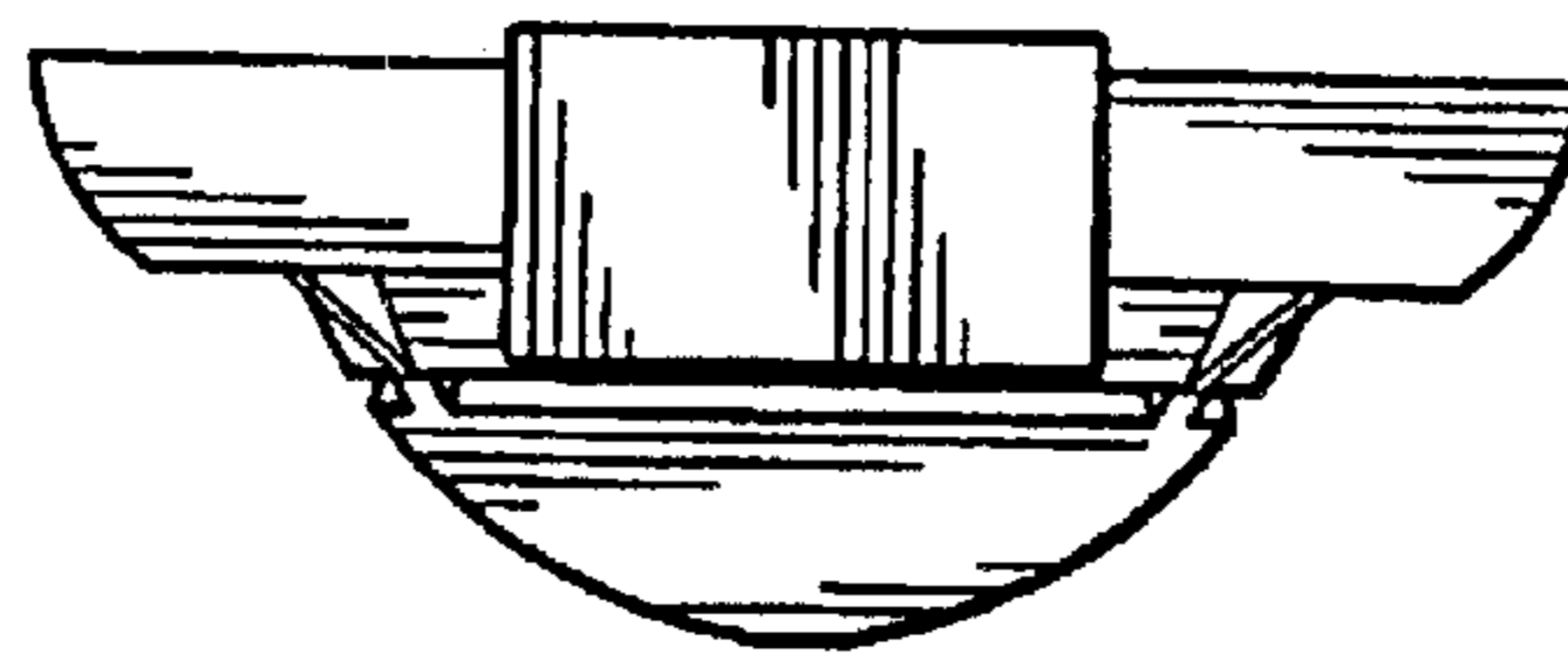


FIG. 8



FIG. 9

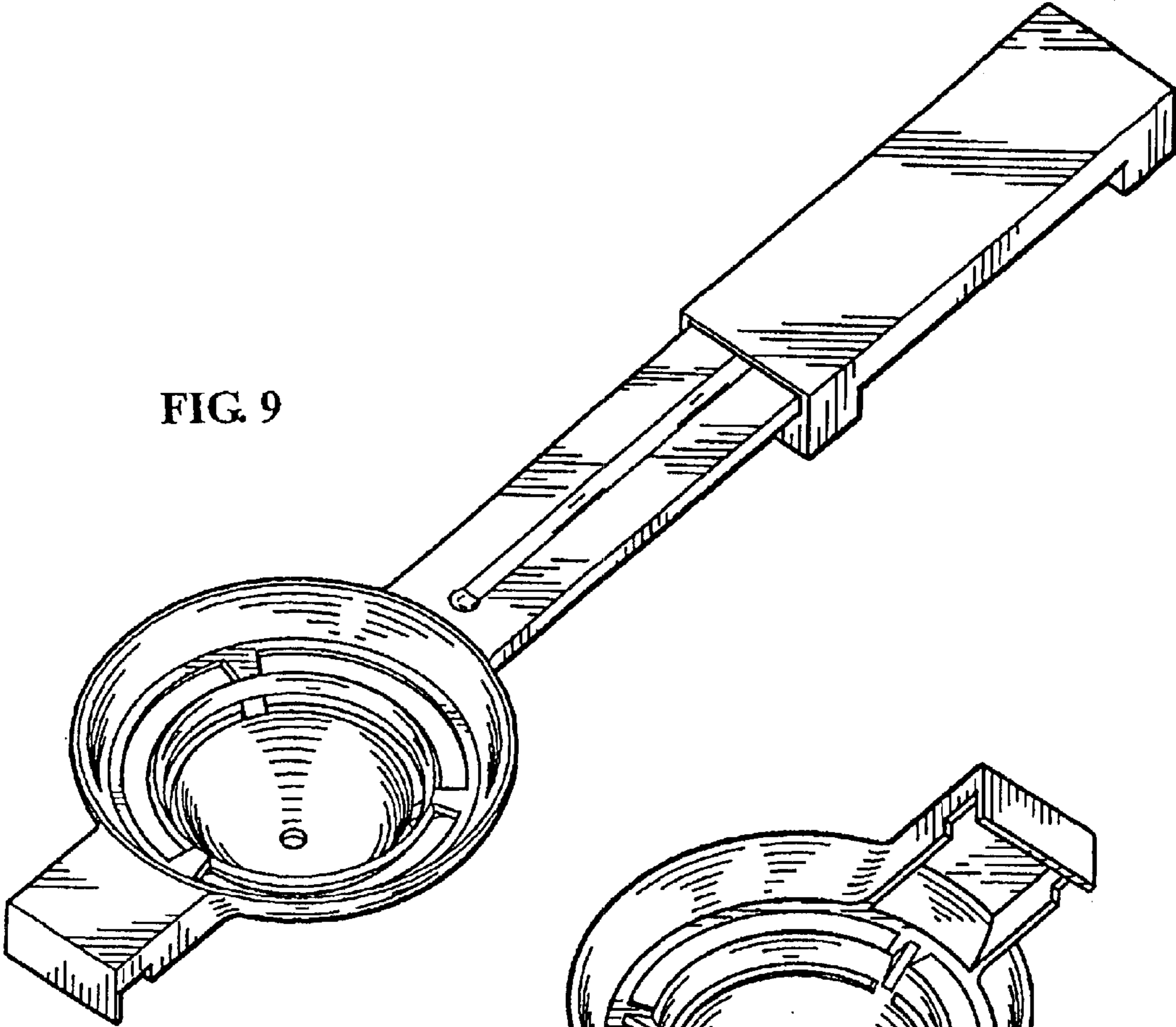


FIG. 10

