

US00D499299S

(12) **United States Design Patent**
Zhang

(10) **Patent No.:** **US D499,299 S**

(45) **Date of Patent:** **** Dec. 7, 2004**

(54) **BARBEQUE GRILL COOKING APPARATUS**

(76) **Inventor:** **S. R. Zhang**, Block 6, Lakepoint Drive
#03-38, Singapore (SG), 648925

(**) **Term:** **14 Years**

(21) **Appl. No.:** **29/183,444**

(22) **Filed:** **Jun. 10, 2003**

(51) **LOC (7) Cl. 07-02**

(52) **U.S. Cl. D7/337**

(58) **Field of Search** D7/332-337, 402-405;
126/25 R, 25 A, 25 AA, 41 R, 50, 9 R;
99/419, 421 HV

(56) **References Cited**

U.S. PATENT DOCUMENTS

| | | | | |
|------------|---|---------|------------------------|--------|
| D282,619 S | * | 2/1986 | Fitzgerald et al. | D7/332 |
| D302,641 S | * | 8/1989 | Elmburg | D7/332 |
| D420,244 S | * | 2/2000 | Pai | D7/332 |
| D455,598 S | * | 4/2002 | Pai | D7/337 |
| D461,360 S | * | 8/2002 | Bossler | D7/337 |
| D464,233 S | * | 10/2002 | Pai | D7/402 |

| | | | | |
|--------------|---|---------|-----------------|----------|
| D464,844 S | * | 10/2002 | Pai | D7/337 |
| D468,151 S | * | 1/2003 | Yeh et al. | D7/337 |
| D473,415 S | * | 4/2003 | Yeh | D7/337 |
| 6,557,546 B1 | * | 5/2003 | Gibbons | 126/41 R |
| D478,772 S | * | 8/2003 | Chung | D7/337 |

* cited by examiner

Primary Examiner—Ruth McInroy

(74) *Attorney, Agent, or Firm*—Leonard Tachner

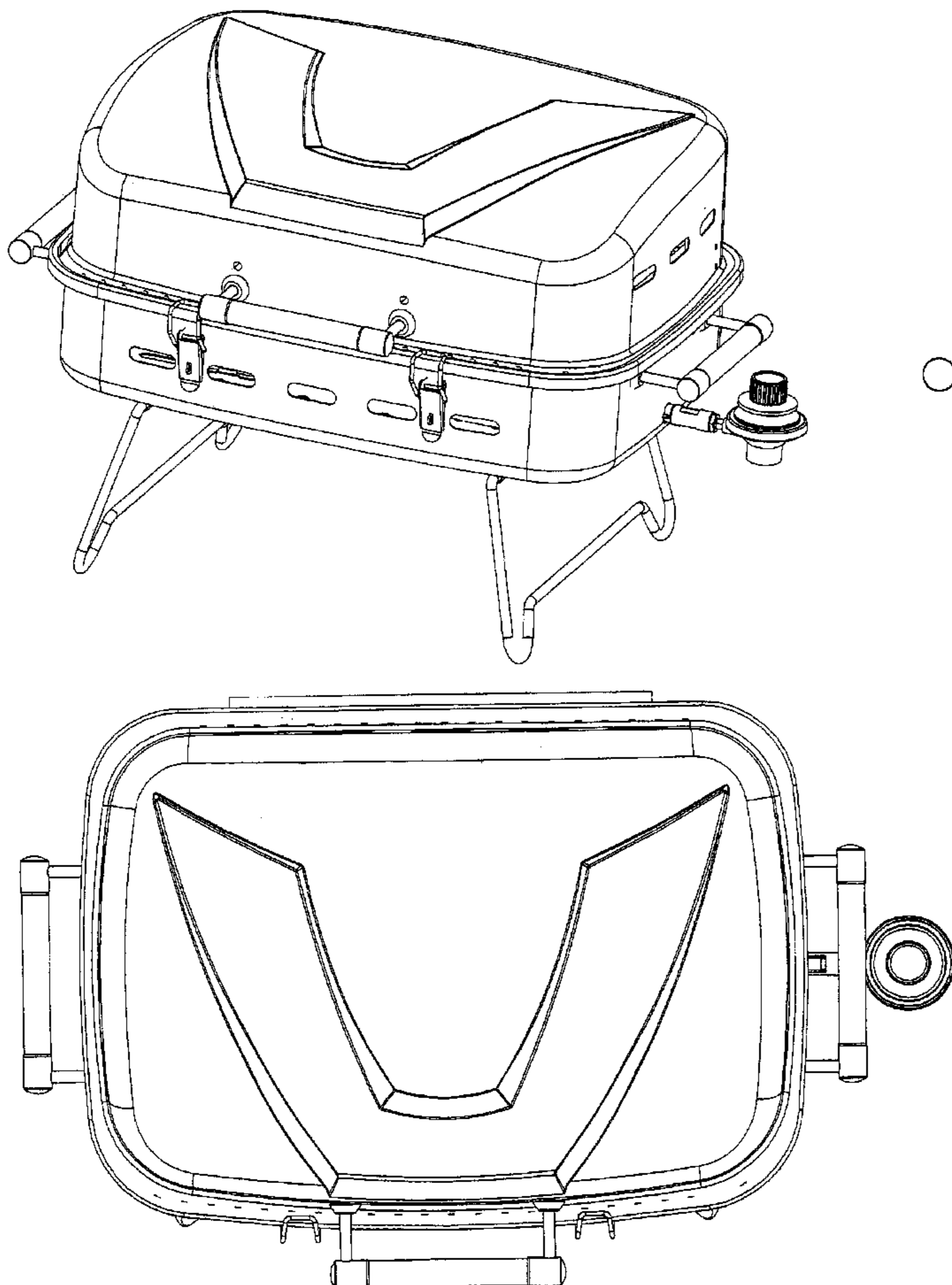
(57) **CLAIM**

The ornamental design for a barbeque grill cooking apparatus, as shown and described.

DESCRIPTION

FIG. 1 is a perspective view of a barbeque grill cooking apparatus showing my new design; FIG. 2 is a top view thereof; FIG. 3 is a bottom view thereof; FIG. 4 is a right side view thereof; FIG. 5 is a left side view thereof; FIG. 6 is a front view thereof; and, FIG. 7 is a rear view thereof.

1 Claim, 7 Drawing Sheets



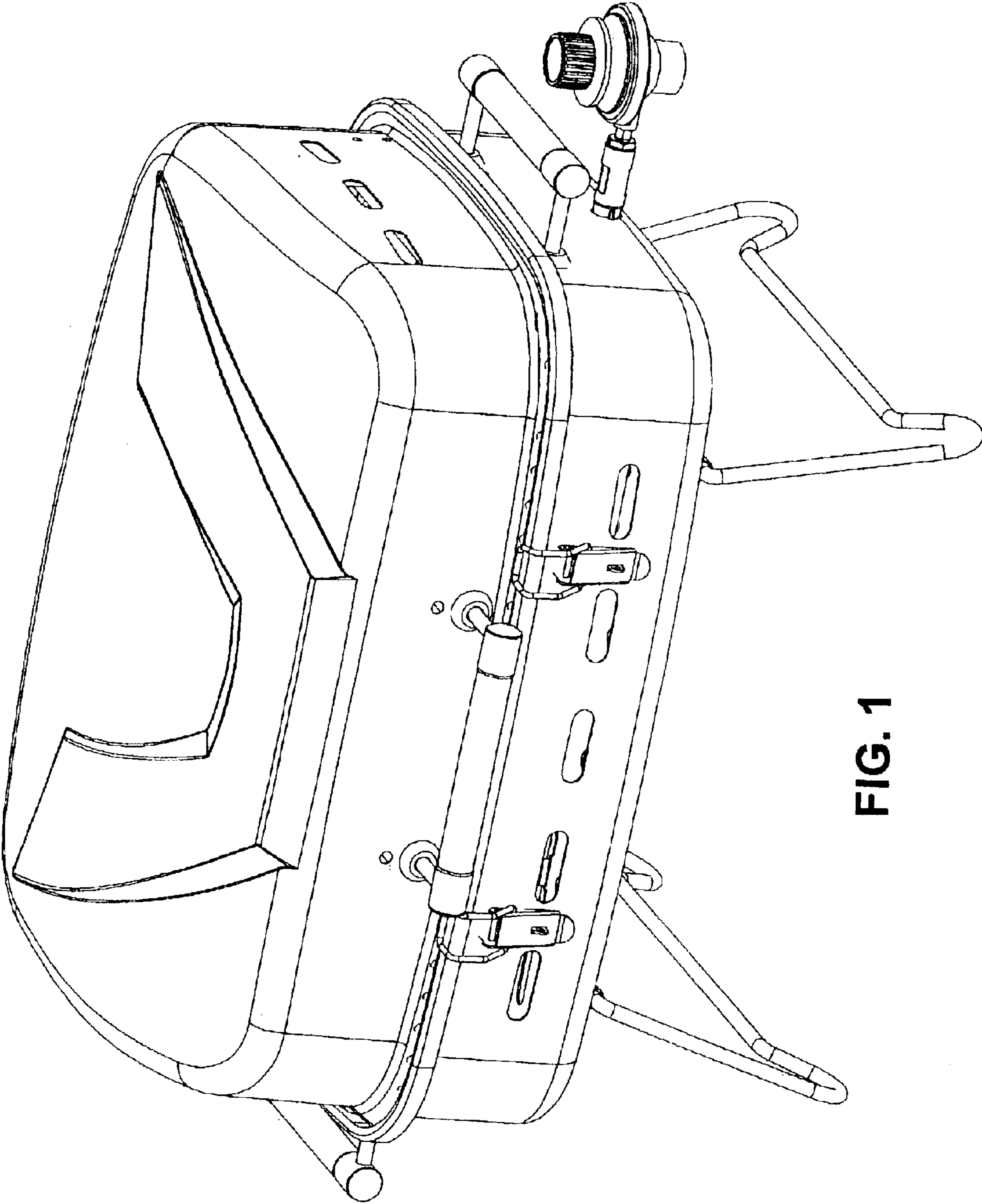


FIG. 1

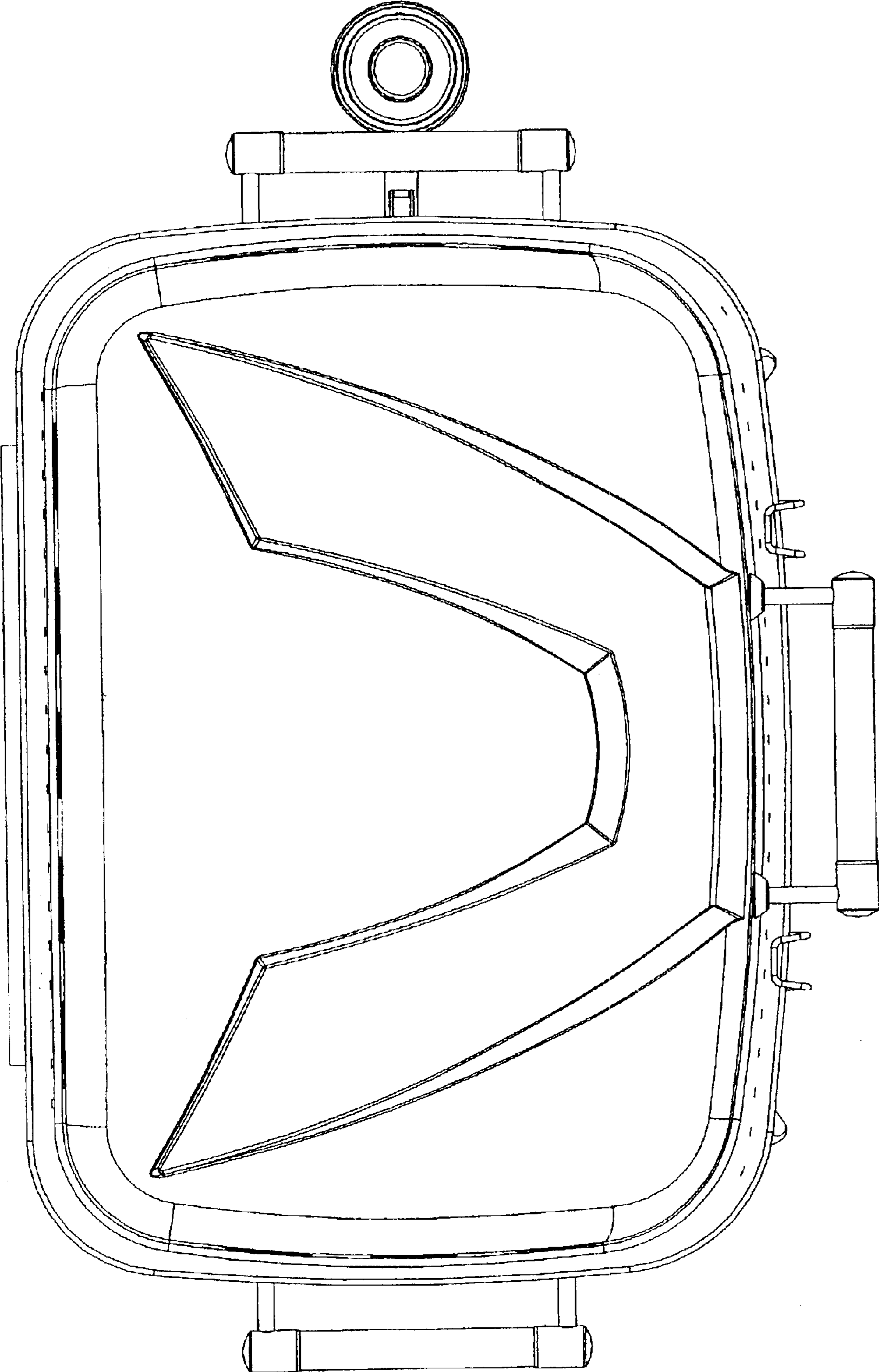


FIG. 2

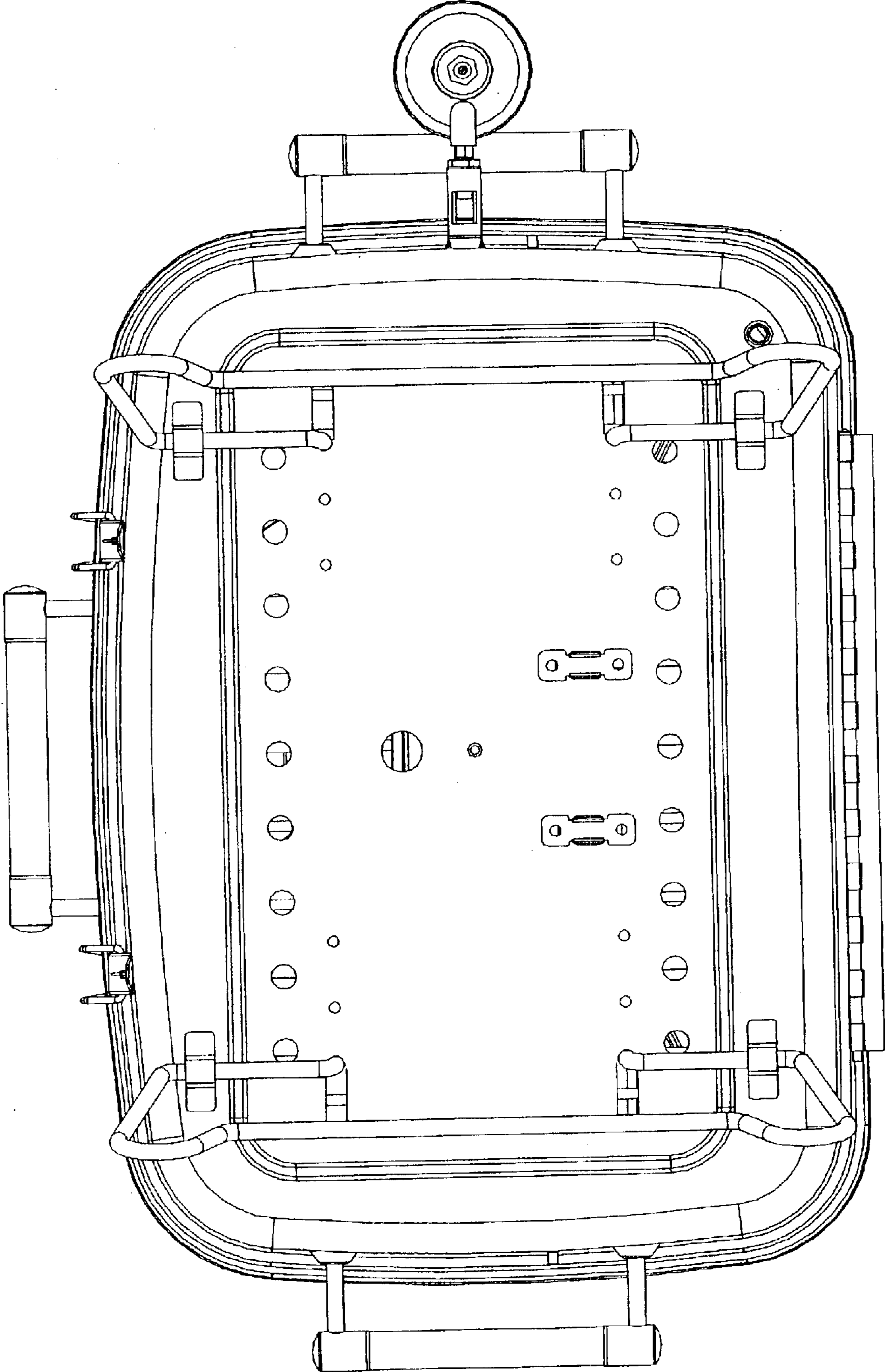


FIG. 3

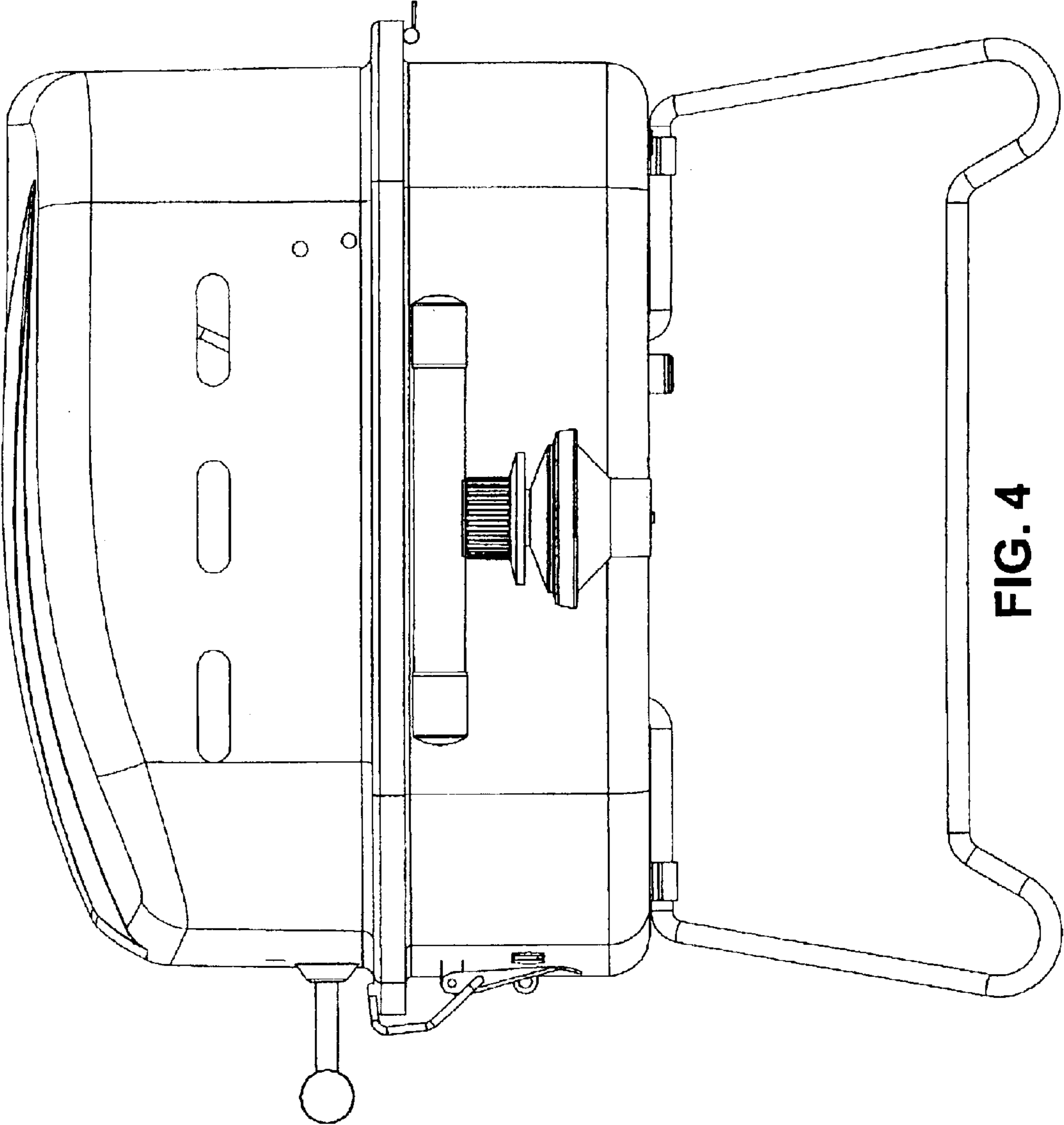


FIG. 4

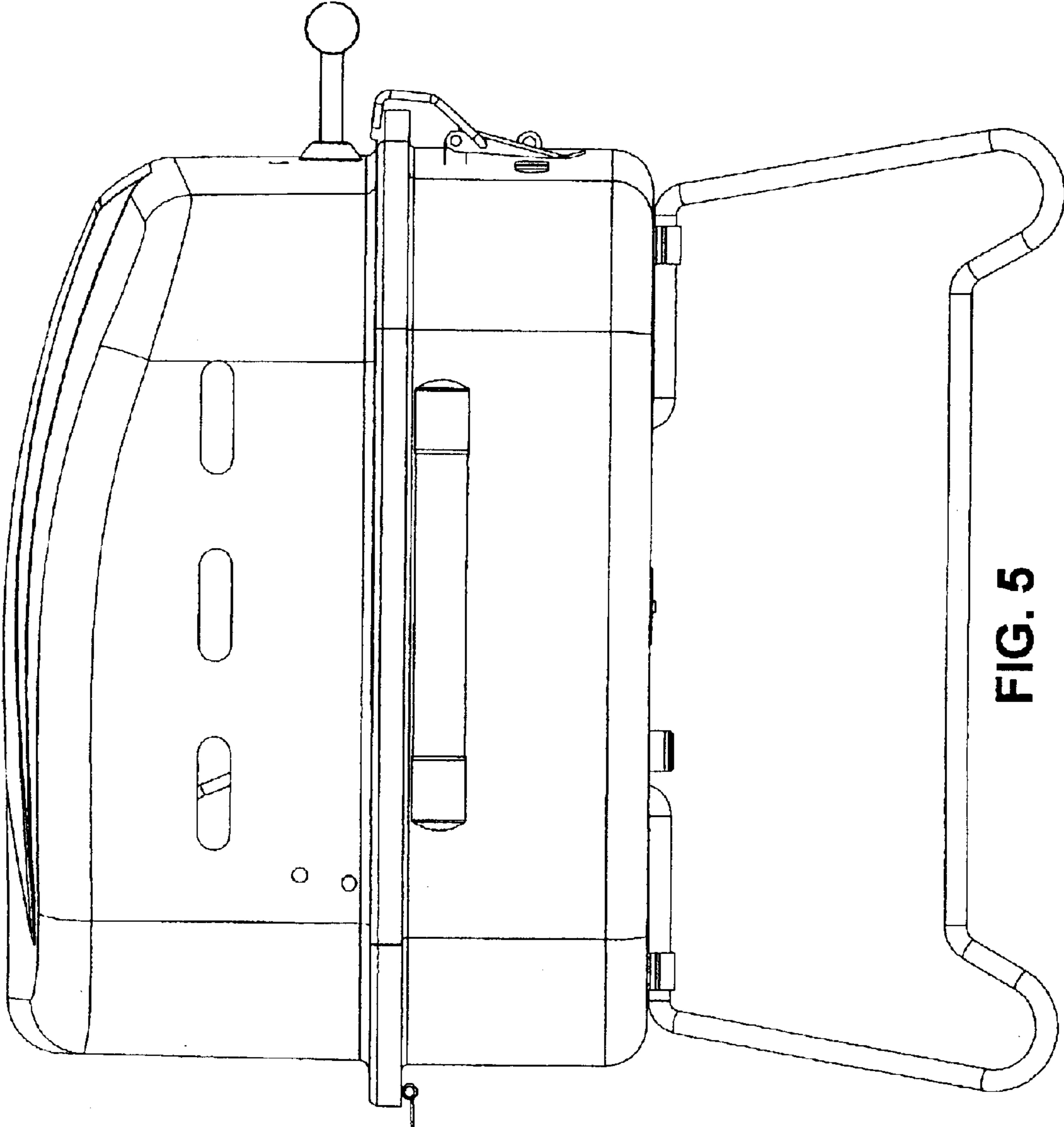


FIG. 5

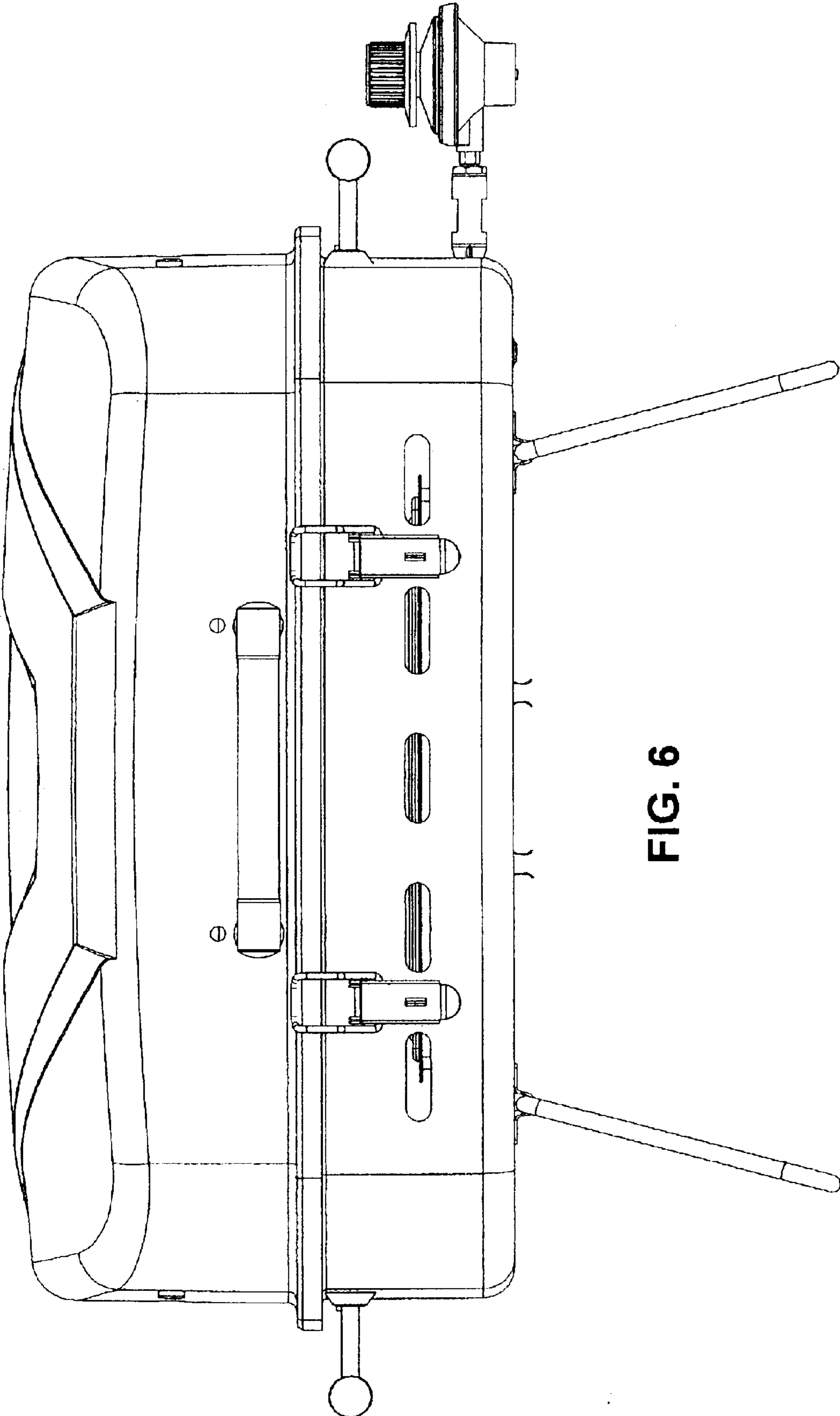


FIG. 6

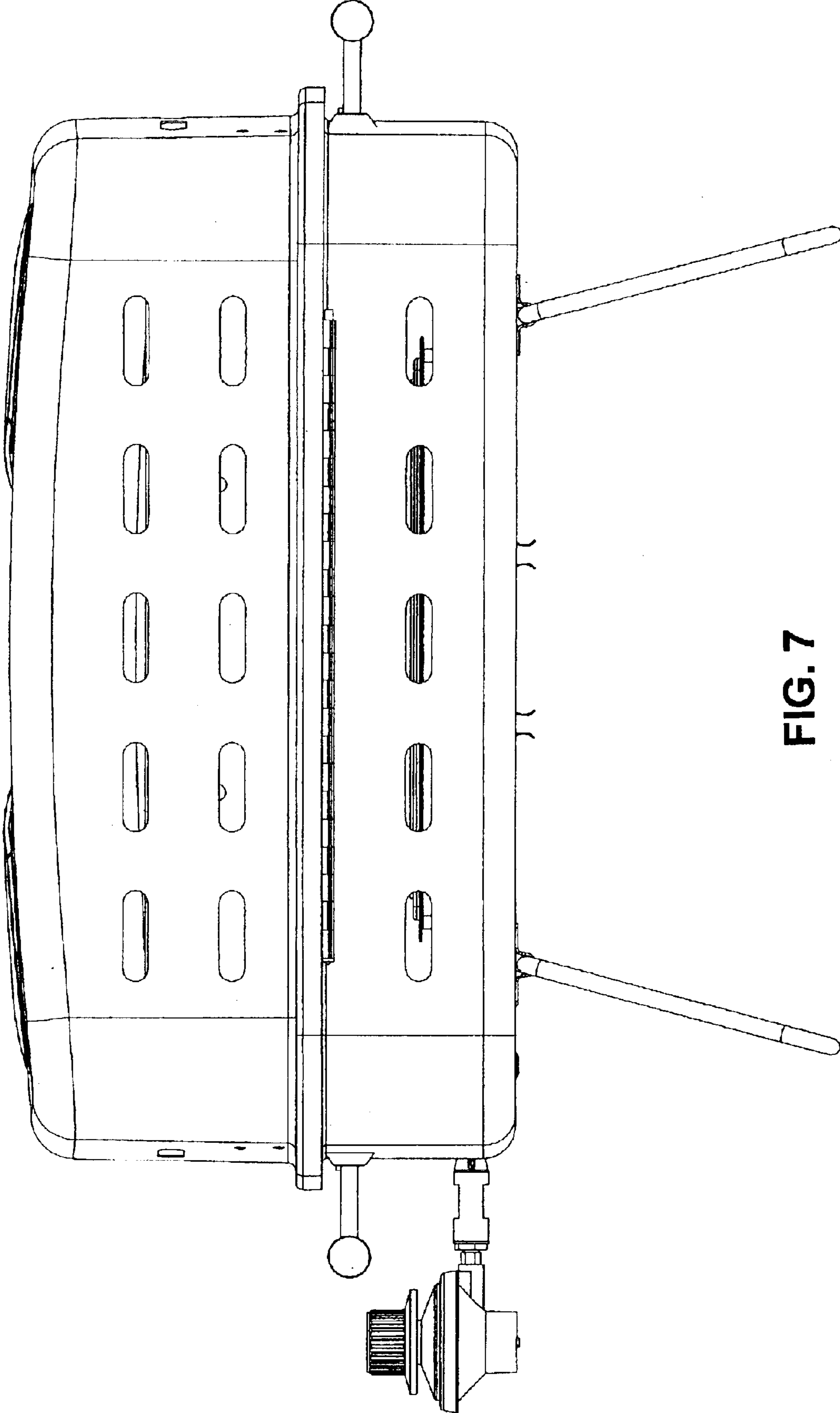


FIG. 7