

US00D499298S

(12) **United States Design Patent**
Bodum

(10) **Patent No.:** **US D499,298 S**

(45) **Date of Patent:** **** Dec. 7, 2004**

(54) **VACUUM JUG**

(75) **Inventor:** **Jørgen Bodum, St. Niklausen (CH)**

(73) **Assignee:** **Pi-Design AG, Triengen (CH)**

(**) **Term:** **14 Years**

(21) **Appl. No.:** **29/196,624**

(22) **Filed:** **Dec. 30, 2003**

Related U.S. Application Data

(62) Division of application No. 29/177,298, filed on Mar. 10, 2003.

(30) **Foreign Application Priority Data**

Sep. 12, 2002 (DK) 2002 00719

(51) **LOC (7) Cl.** **07-01**

(52) **U.S. Cl.** **D7/319; D7/317**

(58) **Field of Search** D7/312, 316-319,
D7/598; 220/318, 300, 631; D23/209; 222/566;
99/323.3; 210/282

(56) **References Cited**

U.S. PATENT DOCUMENTS

D285,400 S * 9/1986 Zimmermann D7/317
D292,664 S * 11/1987 Zimmermann D7/317

D305,853 S * 2/1990 Zimmermann D7/317
D308,153 S * 5/1990 Collins D7/322
D390,416 S * 2/1998 Hippen et al. D7/413
D437,175 S * 2/2001 Brady D7/319
D439,466 S * 3/2001 Bouhuys D7/319
D475,233 S * 6/2003 De Visser D7/317
D475,883 S * 6/2003 Jorgensen D7/317
D486,032 S * 2/2004 Leung D7/319
D489,218 S * 5/2004 Fujii et al. D7/319

* cited by examiner

Primary Examiner—M. N. Pandozzi

(74) *Attorney, Agent, or Firm*—Nath & Associates PLLC

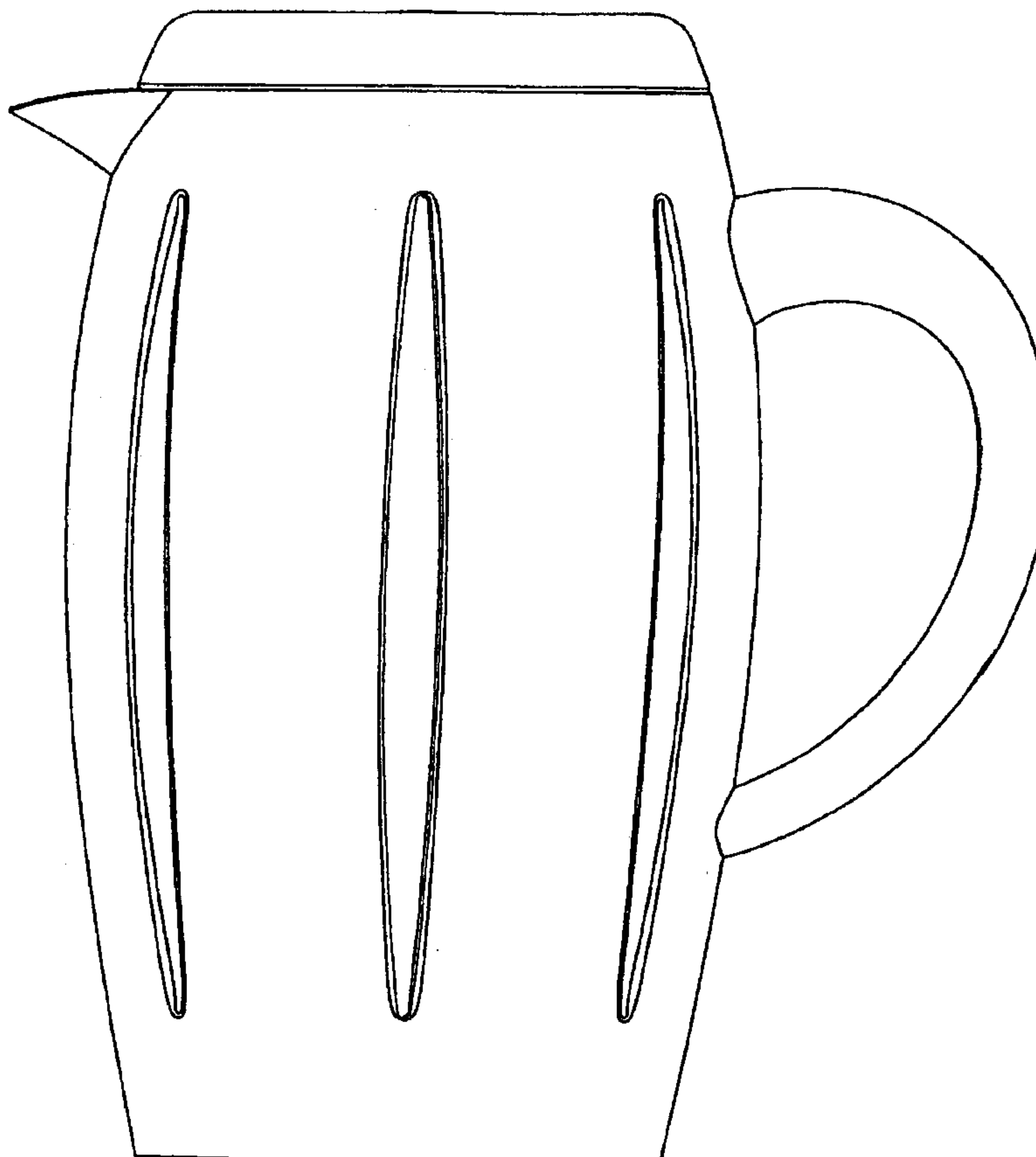
(57) **CLAIM**

The ornamental design for a vacuum jug, as shown and described.

DESCRIPTION

FIG. 1 is an oblique perspective view of the vacuum jug; FIG. 2 is a front view of the vacuum jug, as shown in FIG. 1; FIG. 3 is a back view of the vacuum jug; FIG. 4 is a right side view of the vacuum jug; FIG. 5 is a left side view of the vacuum jug; FIG. 6 is a top view of the vacuum jug; FIG. 7 is a bottom view of the vacuum jug; and, FIG. 8 is a sectional view taken along line 8—8 of FIG. 6.

1 Claim, 8 Drawing Sheets



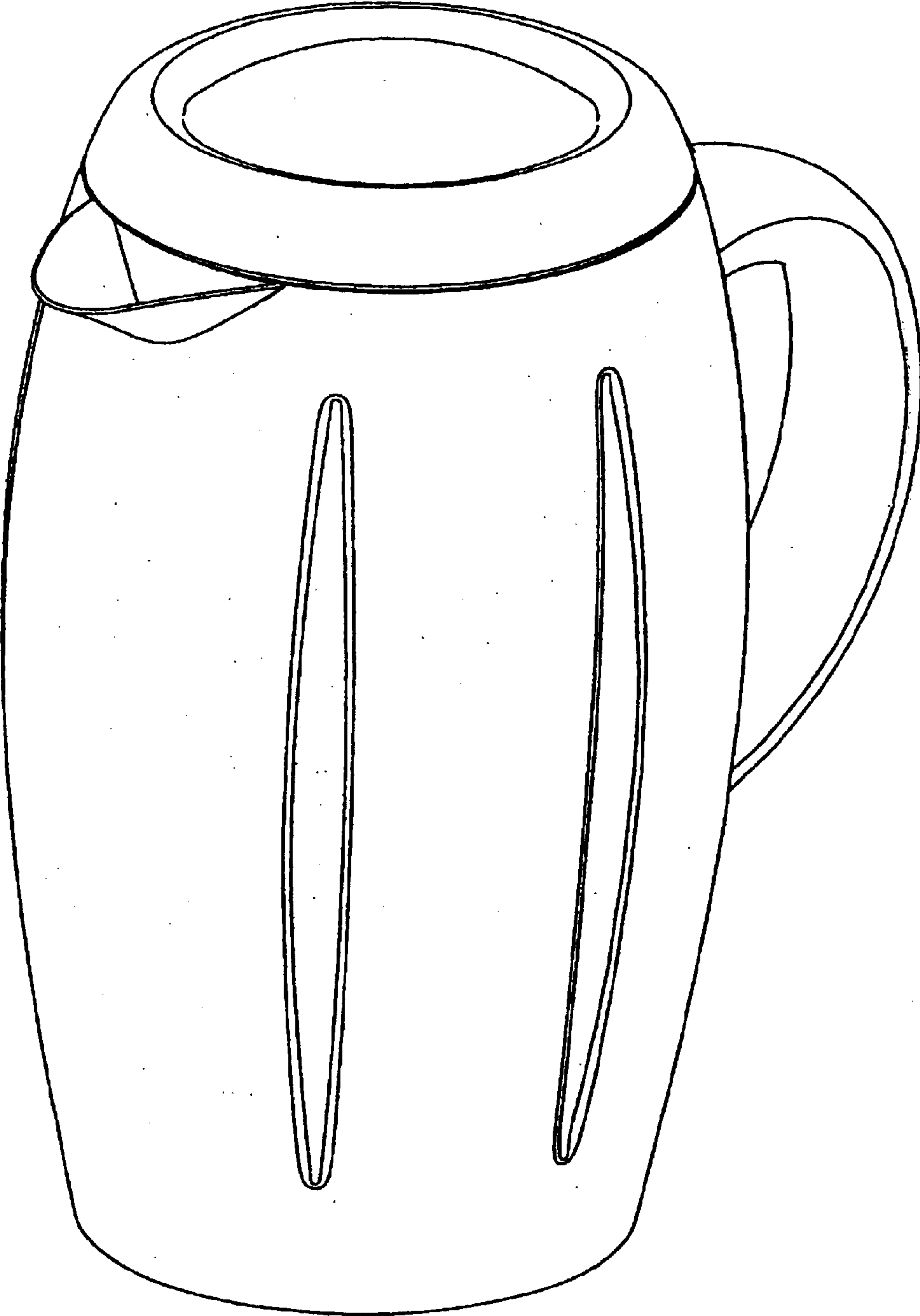


FIG. 1

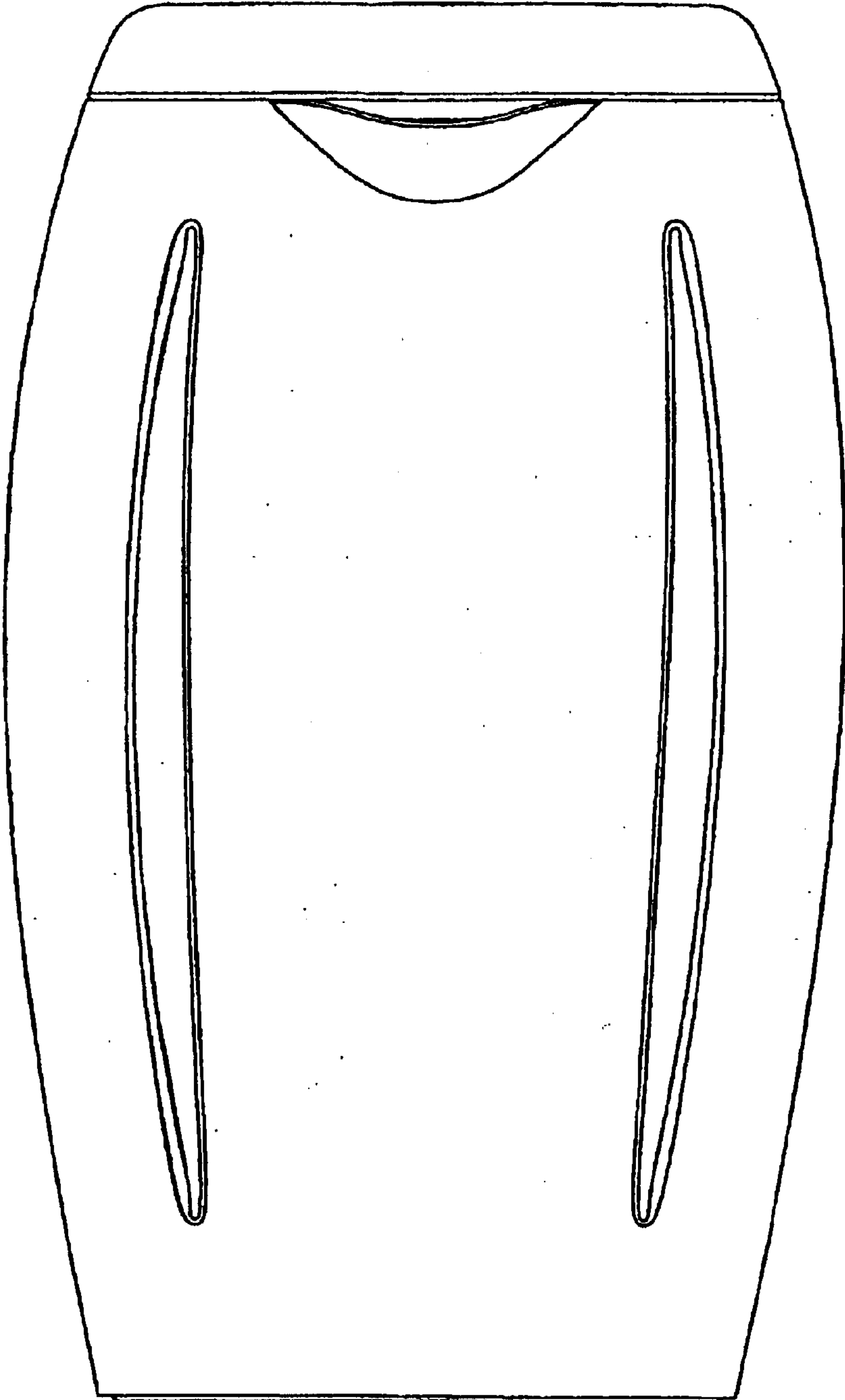


FIG. 2

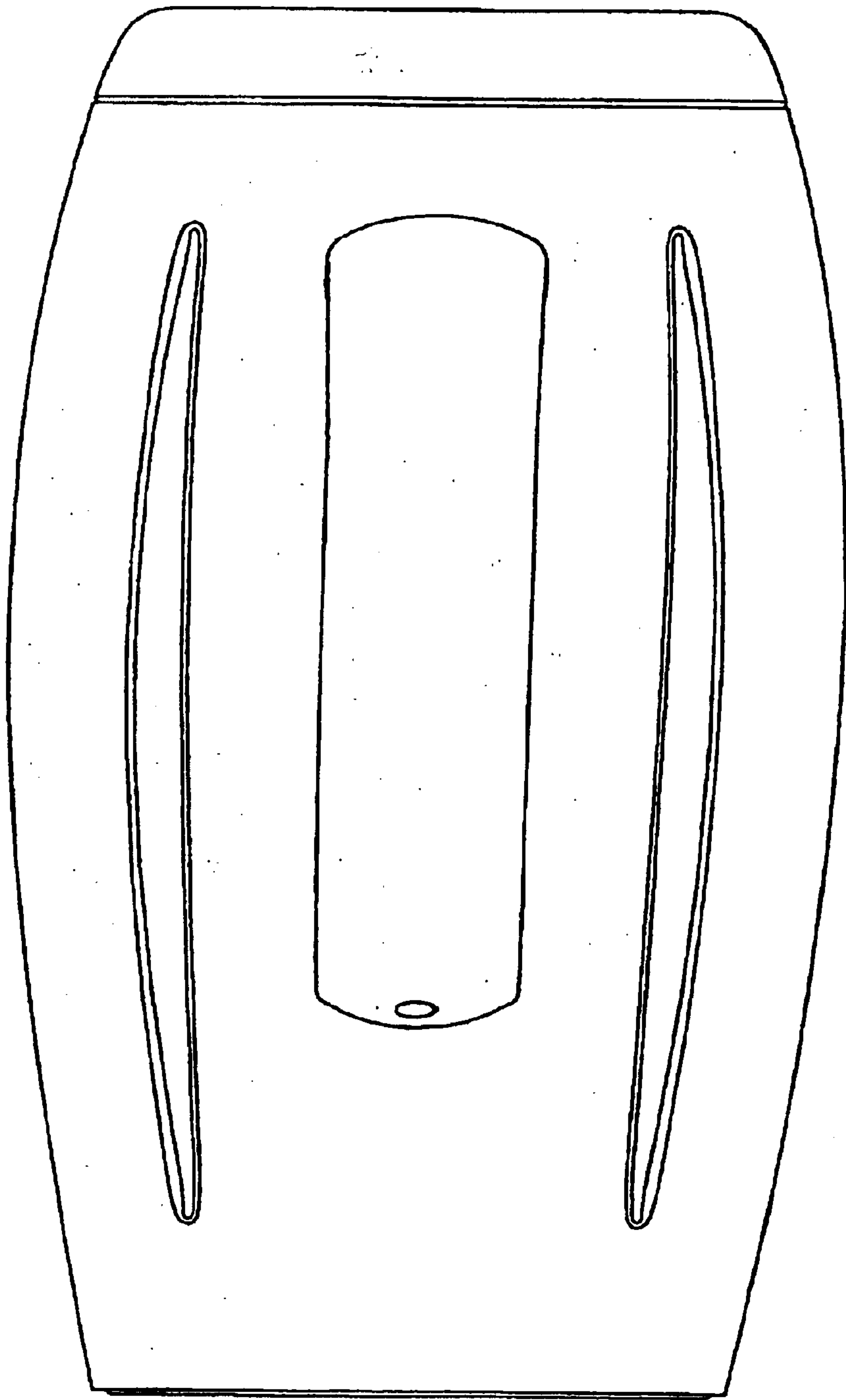


FIG. 3

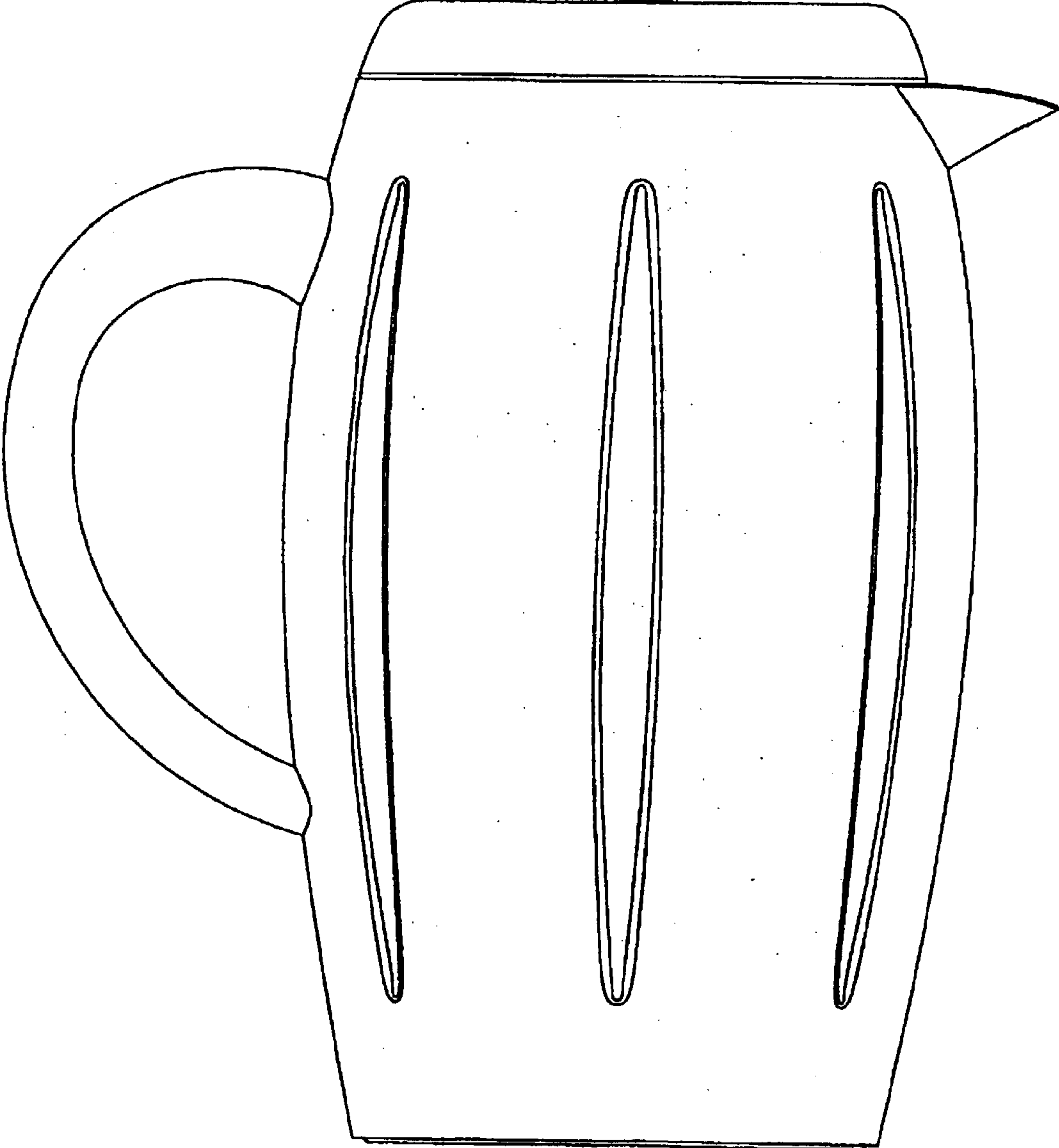


FIG. 4

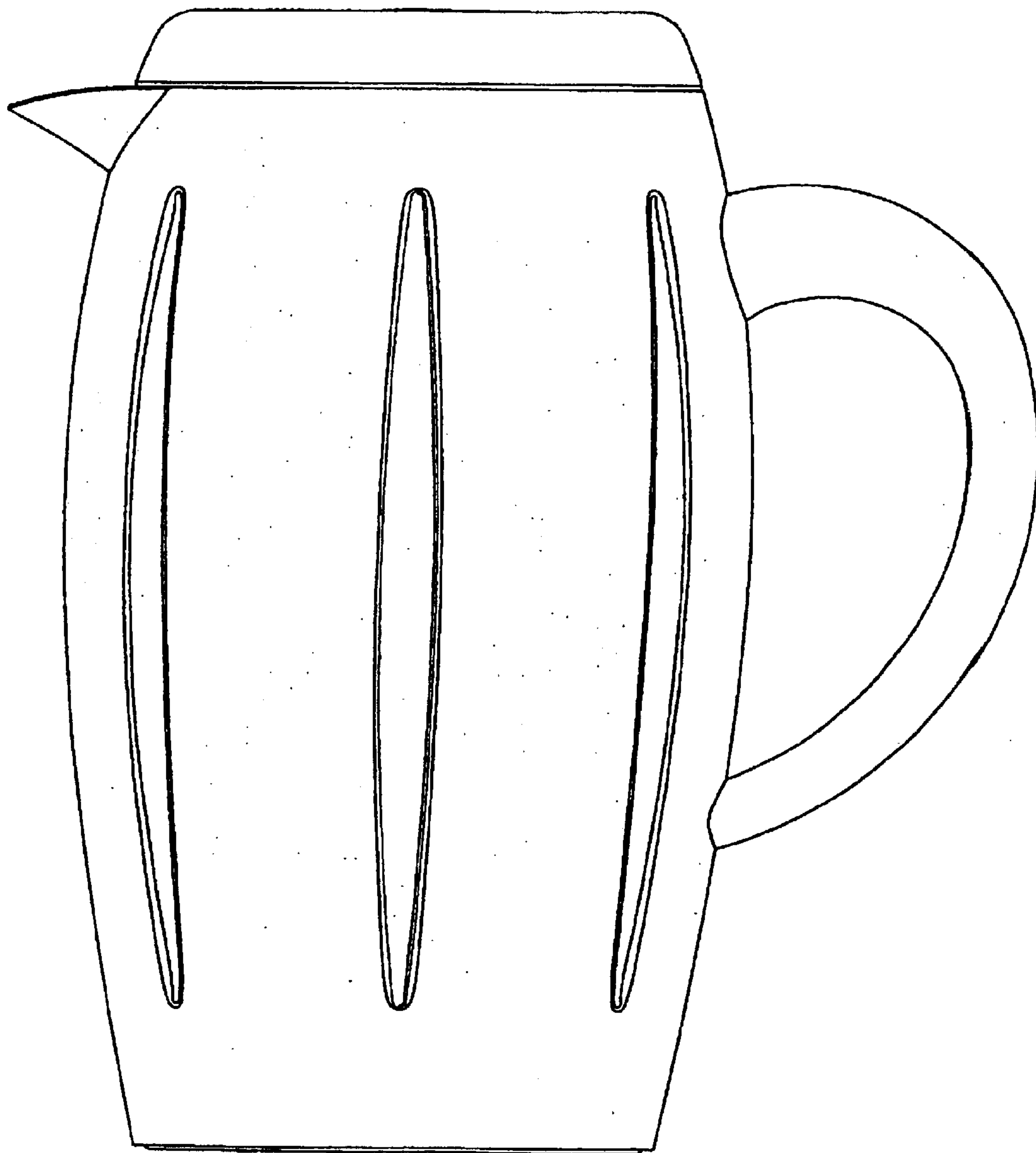
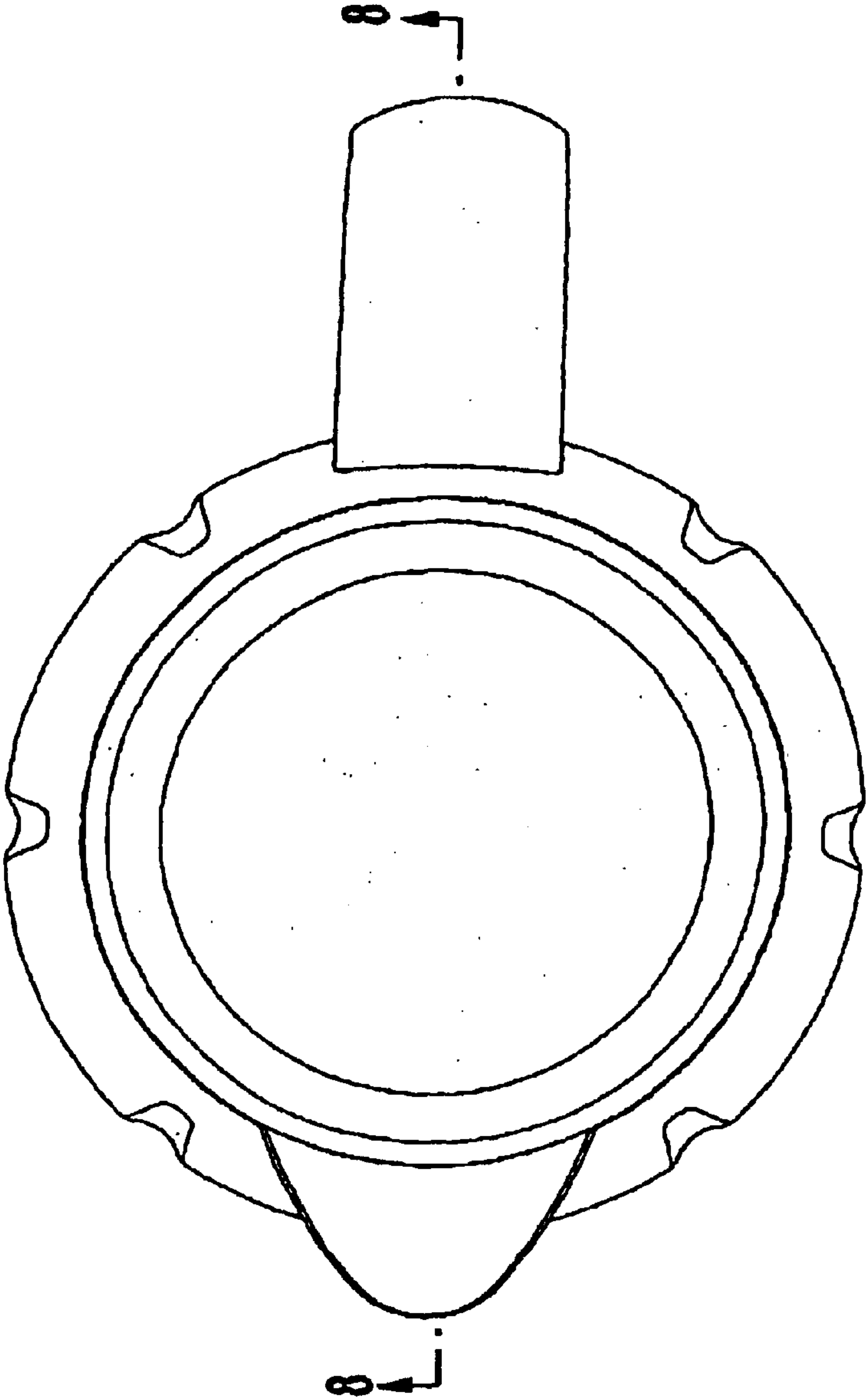


FIG. 5

FIG. 6



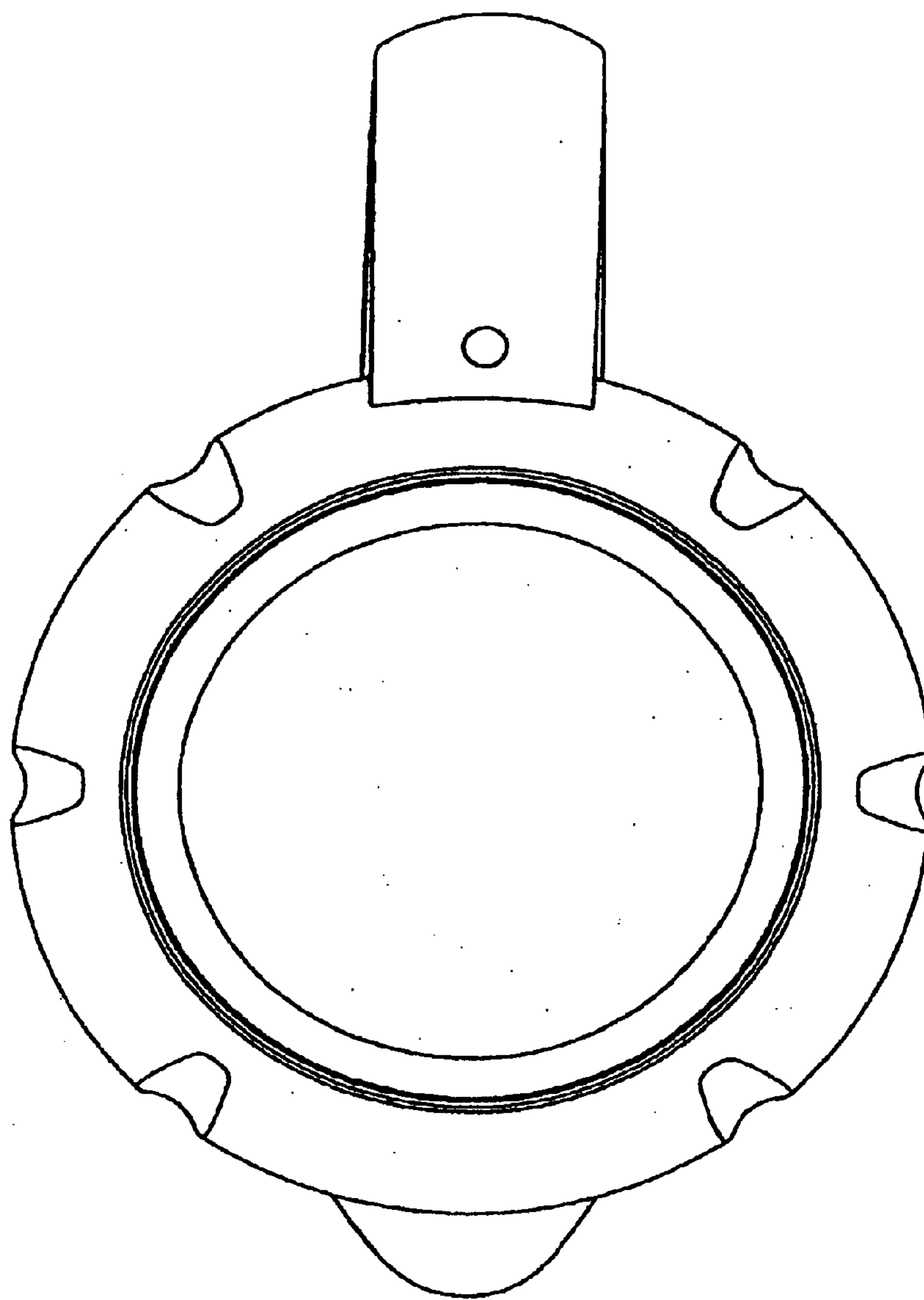


FIG. 7

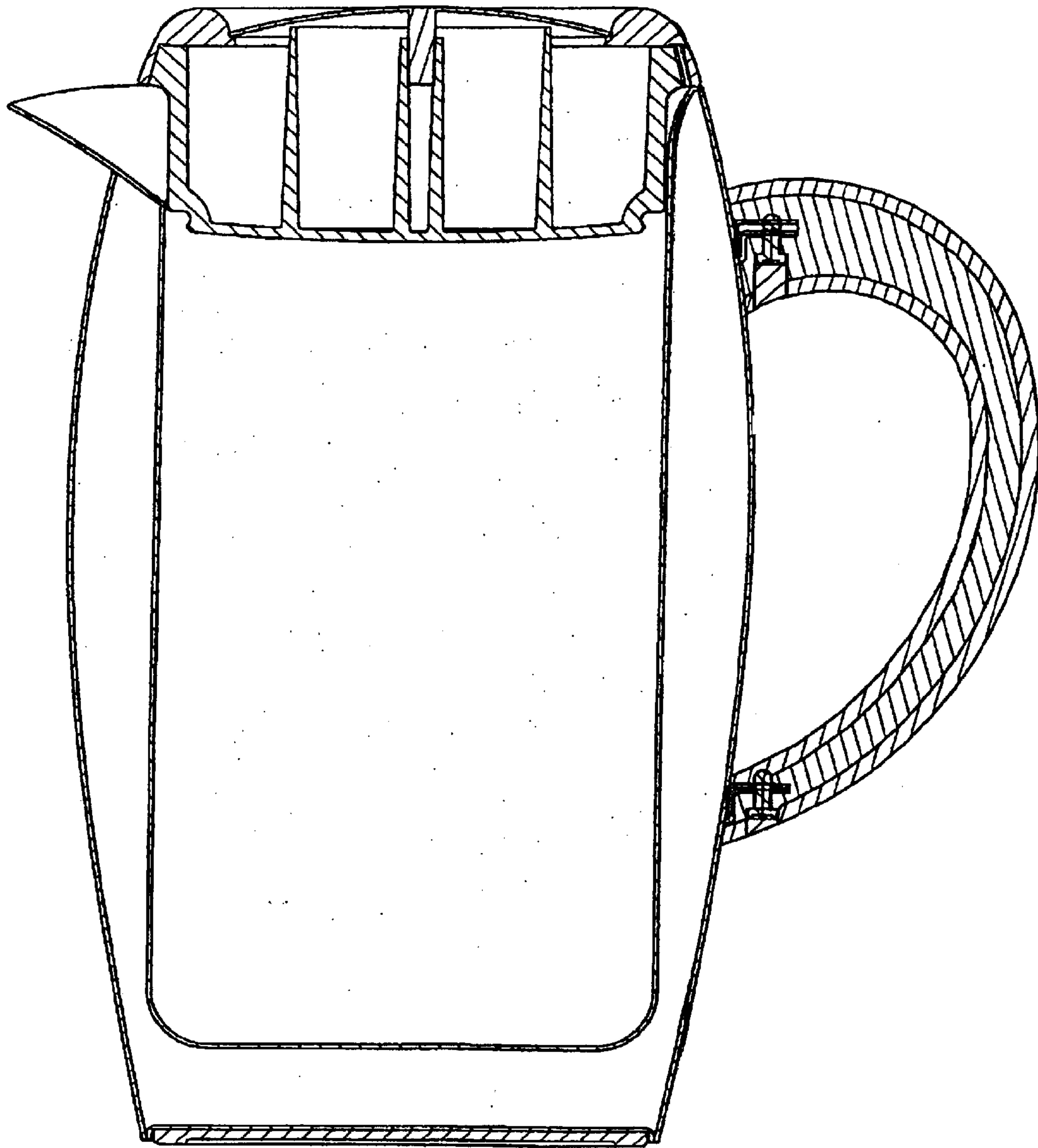


FIG. 8