

US00D499296S

(12) **United States Design Patent**
Suero, Jr.

(10) **Patent No.:** **US D499,296 S**
(45) **Date of Patent:** **** Dec. 7, 2004**

- (54) **BASKET SHELF**
- (75) Inventor: **Jose Suero, Jr.**, Newark, DE (US)
- (73) Assignee: **Zenith Products Corp.**, New Castle, DE (US)
- (**) Term: **14 Years**
- (21) Appl. No.: **29/200,021**
- (22) Filed: **Feb. 23, 2004**
- (51) **LOC (7) Cl.** **06-04**
- (52) **U.S. Cl.** **D6/574**
- (58) **Field of Search** D6/553, 567, 572, D6/574, 511; 108/27, 29; 211/13.1, 32, 86.01, 87.01, 88.01, 90.01, 90.03, 126.1, 134, 181.1

- 2,546,587 A * 3/1951 Eisenberg 211/181.1
- 2,758,724 A * 8/1956 Schneider 211/181.1
- D295,129 S * 4/1988 Chap D6/566

* cited by examiner

Primary Examiner—Brian N Vinson

(74) *Attorney, Agent, or Firm*—Edgar A. Zarins; Lloyd D. Doigan

(57) **CLAIM**

The ornamental design for a basket shelf, as shown and described.

DESCRIPTION

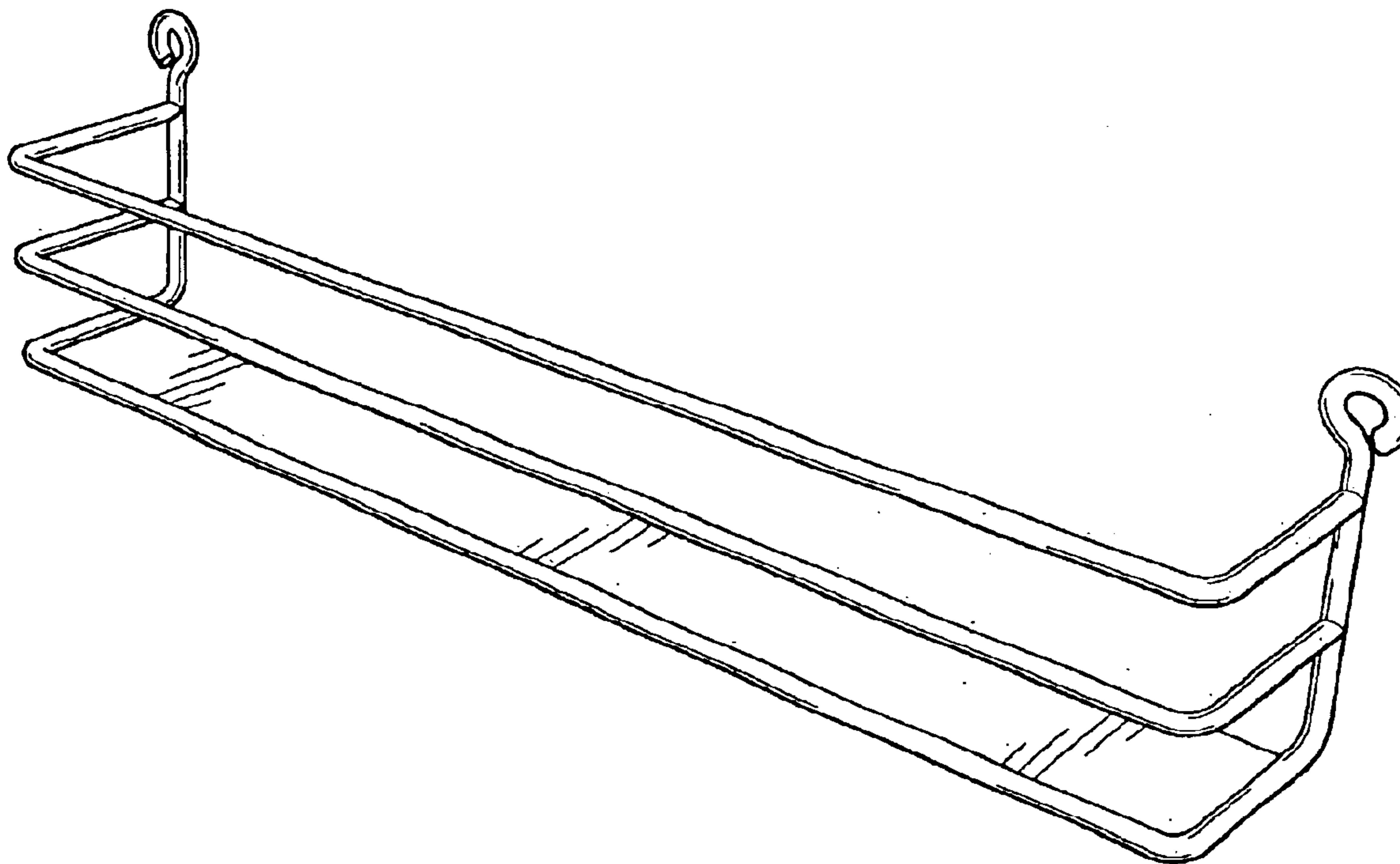
FIG. 1 is a perspective view of a basket shelf showing my new design;
FIG. 2 is a front elevational view thereof;
FIG. 3 is a rear elevational view thereof;
FIG. 4 is a top plan view thereof;
FIG. 5 is a bottom plan view thereof; and,
FIG. 6 is a left end view thereof; the opposite end being a mirror image of the end shown.

1 Claim, 2 Drawing Sheets

(56) **References Cited**

U.S. PATENT DOCUMENTS

- 1,378,902 A * 5/1921 Roehl 211/134
- 1,741,928 A * 12/1929 Gafney 211/134
- D146,280 S * 1/1947 Goddard D6/574



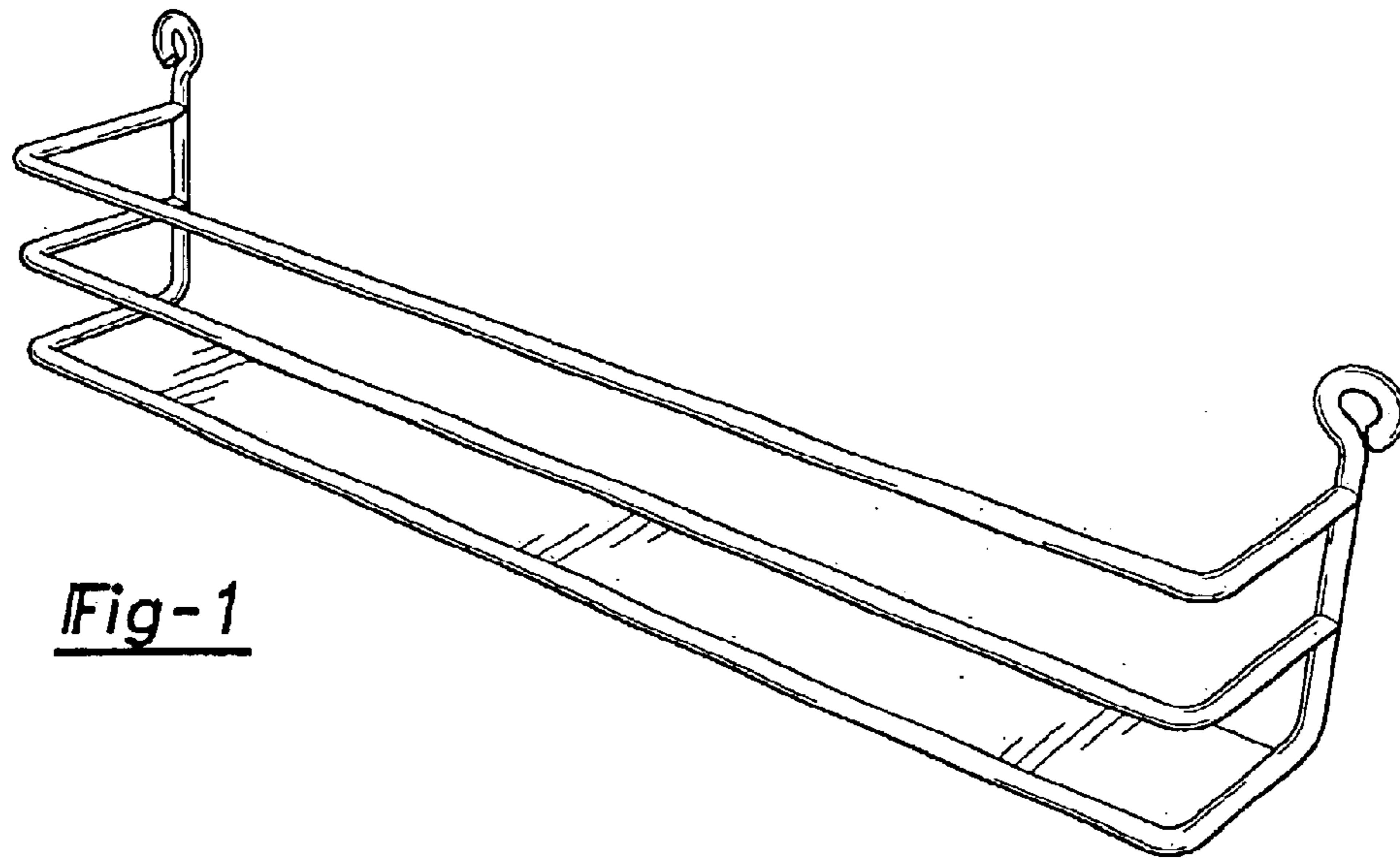


Fig-1

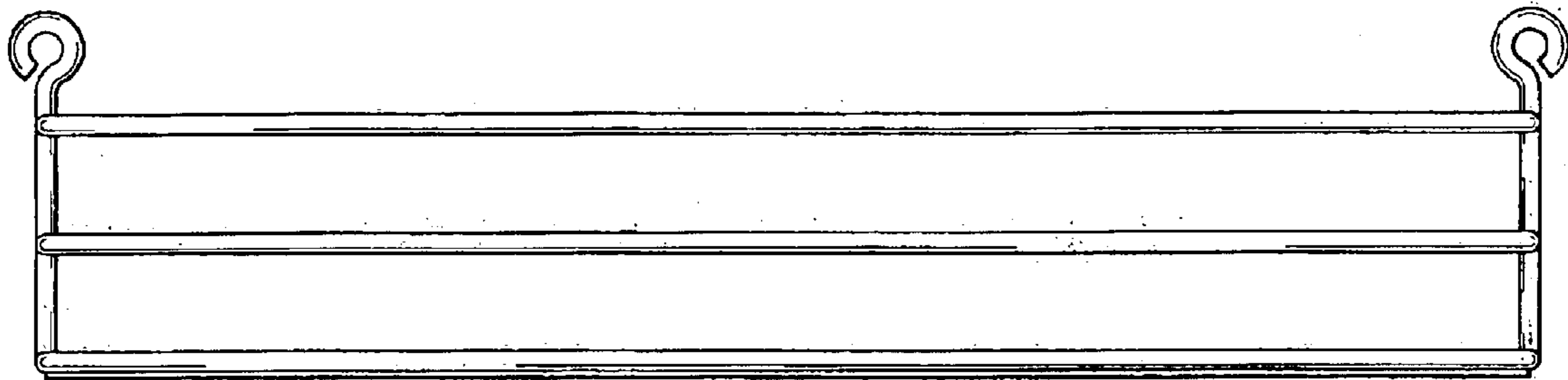


Fig-2

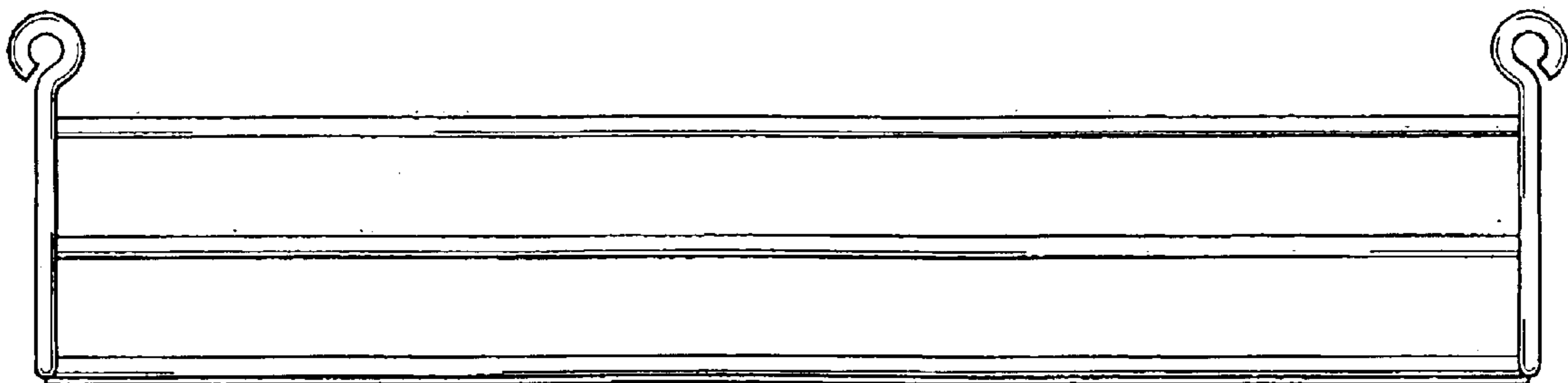


Fig-3

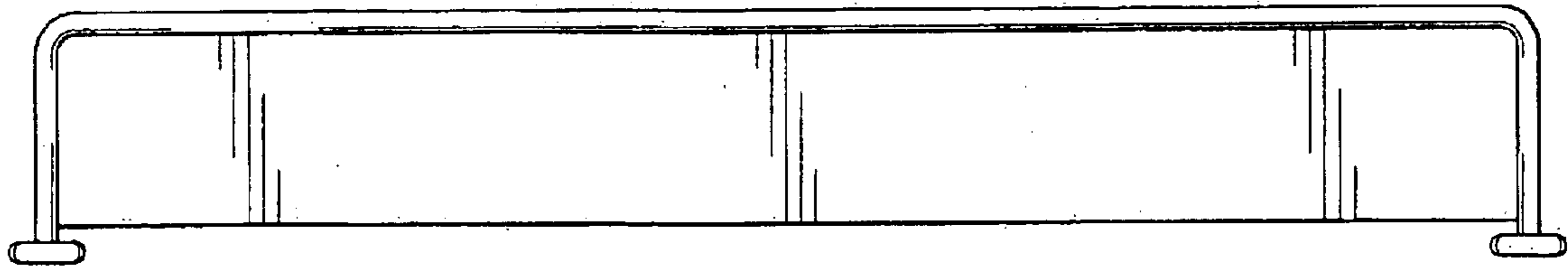


Fig-4

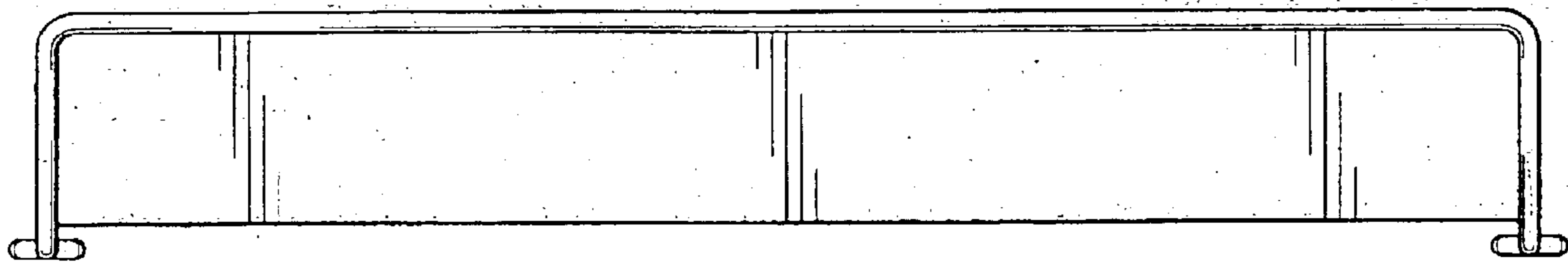


Fig-5

Fig-6

