

US00D499295S

(12) **United States Design Patent**
Grisdale et al.

(10) **Patent No.: US D499,295 S**

(45) **Date of Patent: ** Dec. 7, 2004**

(54) **BOTTLE HOLDER**

(75) Inventors: **Marianne B. Grisdale**, Chicago, IL (US); **Elliott Hsu**, Chicago, IL (US); **Michael W. Allen**, Glen Allen, VA (US); **Paul M. Blankenship**, Glen Allen, VA (US); **Stephen D. Beverley**, Midlothian, VA (US); **Nhiem V. Nguyen**, Glen Allen, VA (US)

(73) Assignee: **S. C. Johnson & Son, Inc.**, Racine, WI (US)

(**) Term: **14 Years**

(21) Appl. No.: **29/178,794**

(22) Filed: **Mar. 31, 2003**

Related U.S. Application Data

(63) Continuation-in-part of application No. 29/161,306, filed on May 28, 2002, now Pat. No. Des. 477,956.

(51) **LOC (7) Cl.** **23-02**

(52) **U.S. Cl.** **D6/553**

(58) **Field of Search** D6/553, 524, 542-545; 211/13.1, 85.12, 71.01, 74, 75; 222/105, 173, 630, 180, 181.1, 181.2, 181.3; 248/311.2, 311.3, 312

(56) **References Cited**

U.S. PATENT DOCUMENTS

D217,872 S * 6/1970 Sessions D6/545
D228,994 S * 11/1973 Reinecke D6/545

4,921,150 A * 5/1990 Lagergren et al. 222/630
D444,978 S * 7/2001 Kauzlarich et al. D6/545
D452,099 S * 12/2001 Poitras et al. D6/545
D454,017 S * 3/2002 Kauzlarich et al. D6/545
D463,186 S * 9/2002 Sorensen D6/545
6,463,600 B1 * 10/2002 Conway et al. 222/630

* cited by examiner

Primary Examiner—Brian N Vinson

(57) **CLAIM**

The ornamental design for a bottle holder, as shown and described.

DESCRIPTION

In a preferred embodiment, the nature of this product is a holder for a bottle suitable to be mounted in a bathing area. In a most preferred form the holder also dispenses fluid from the bottle in an automated fashion.

FIG. 1 is a top, left, front perspective view of a bottle holder embodying our new design;

FIG. 2 is a front elevational view thereof;

FIG. 3 is a left side elevational view thereof, the right side elevational view being a mirror image of the left side shown;

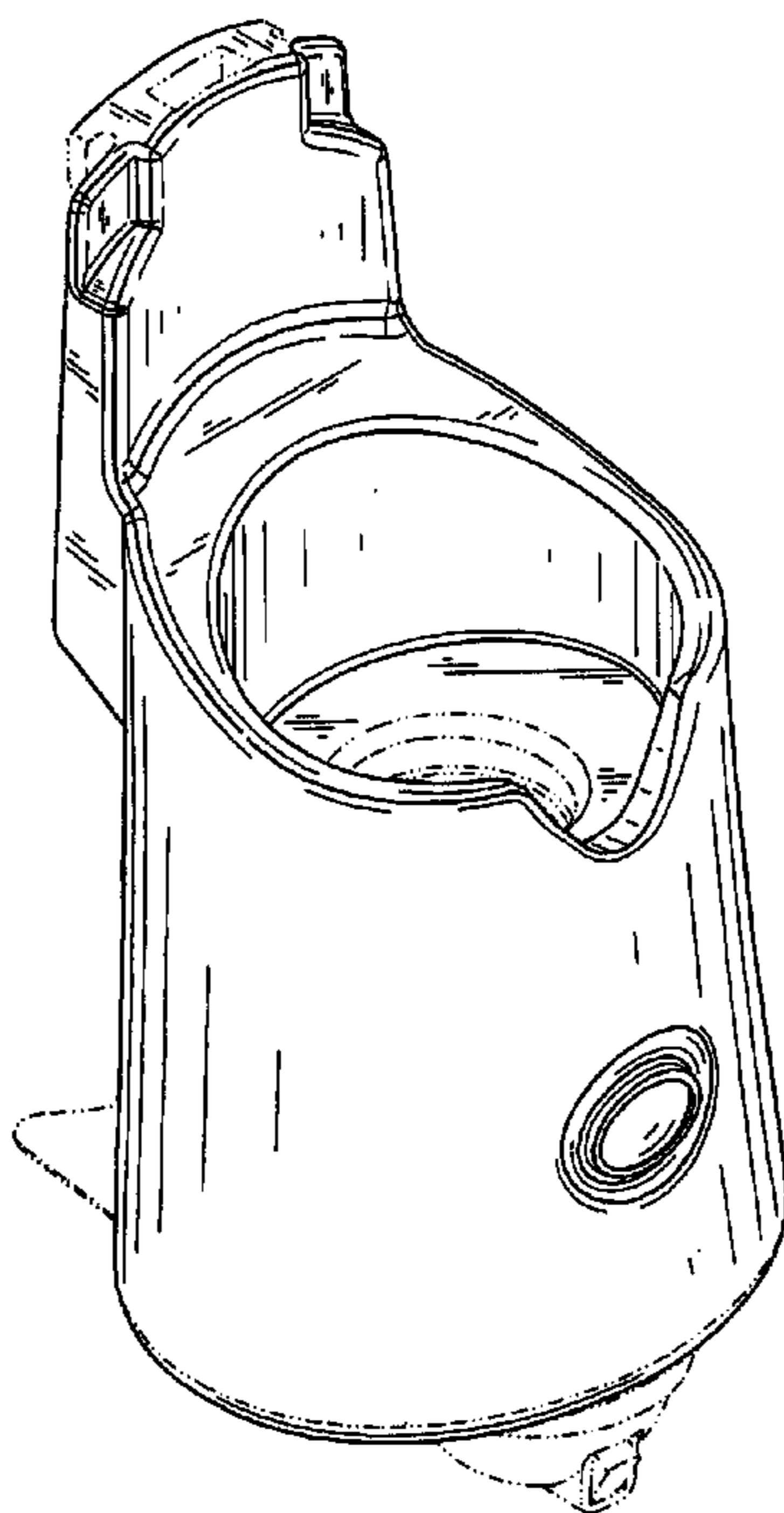
FIG. 4 is a rear elevational view thereof;

FIG. 5 is a top plan view thereof; and,

FIG. 6 is a bottom plan view thereof.

The broken line representations holes in FIGS. 1 and 3-6, of a nozzle in FIGS. 1-4 and 6, of a receiving wall structure in FIGS. 1 and 3-5, of a seam in FIGS. 1-4, and of a supporting rib in FIGS. 1 and 3-6, are for the purpose of illustration only, and form no part of the claimed design.

1 Claim, 4 Drawing Sheets



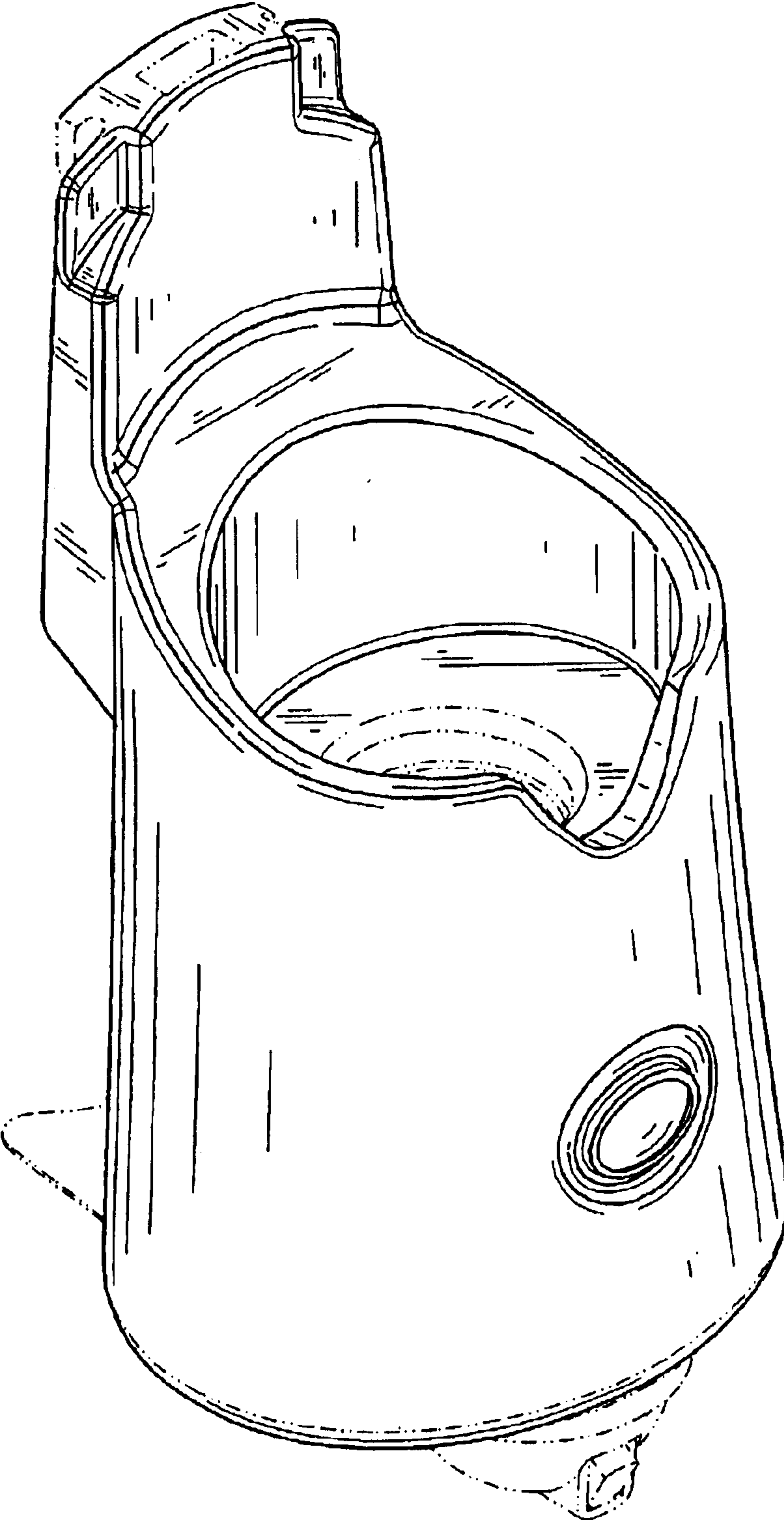


FIG. 1

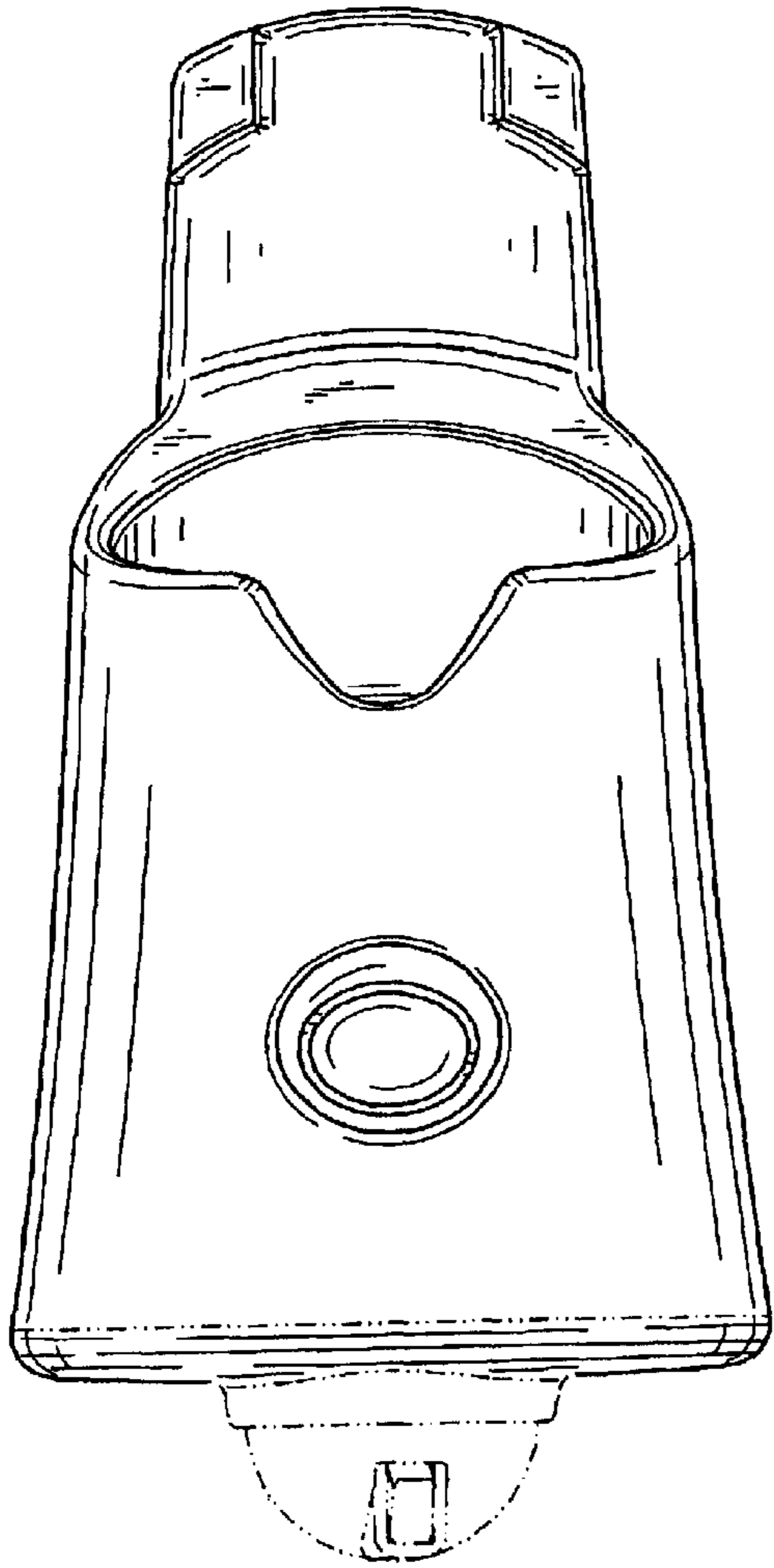


FIG. 2

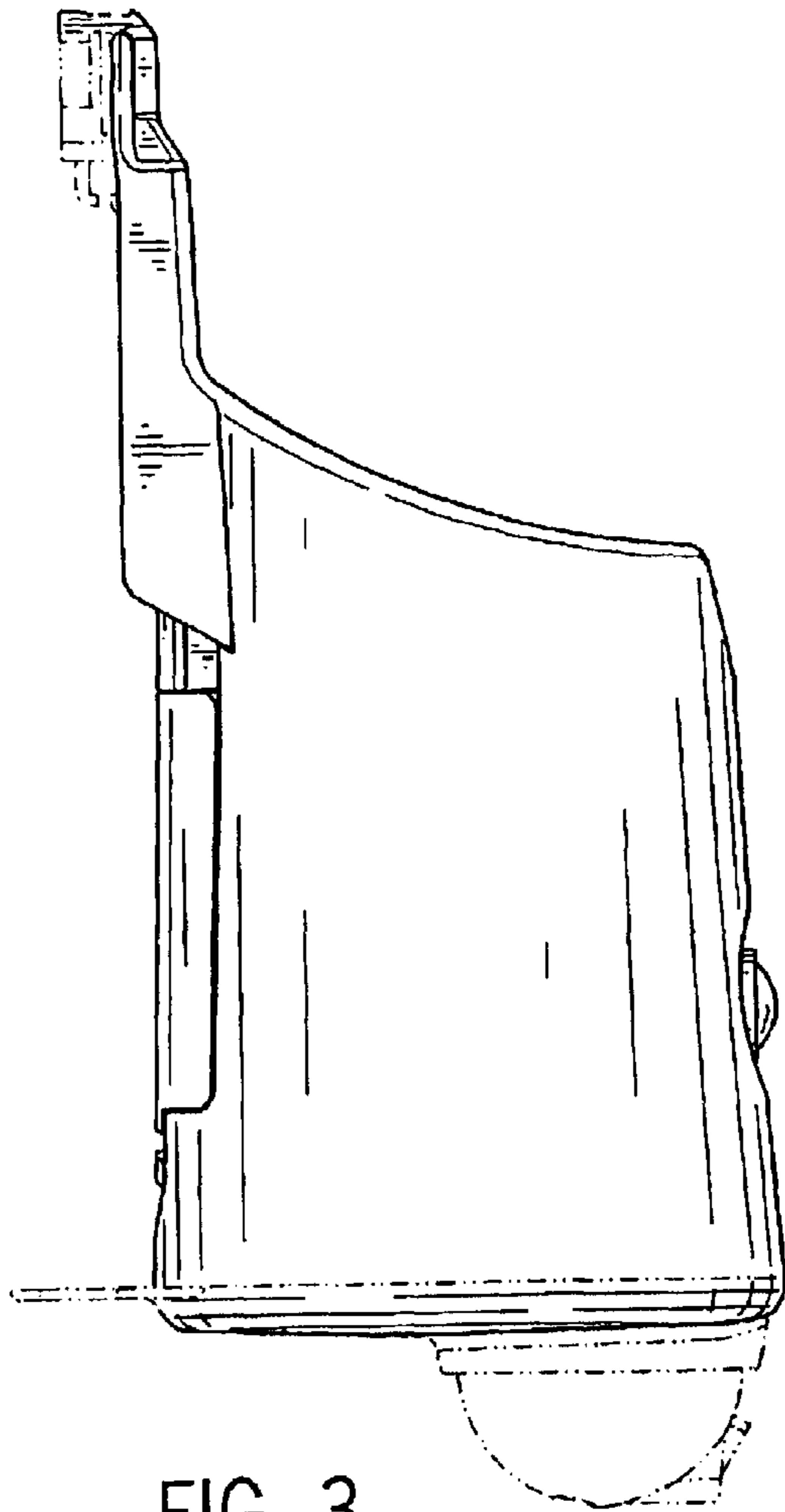


FIG. 3

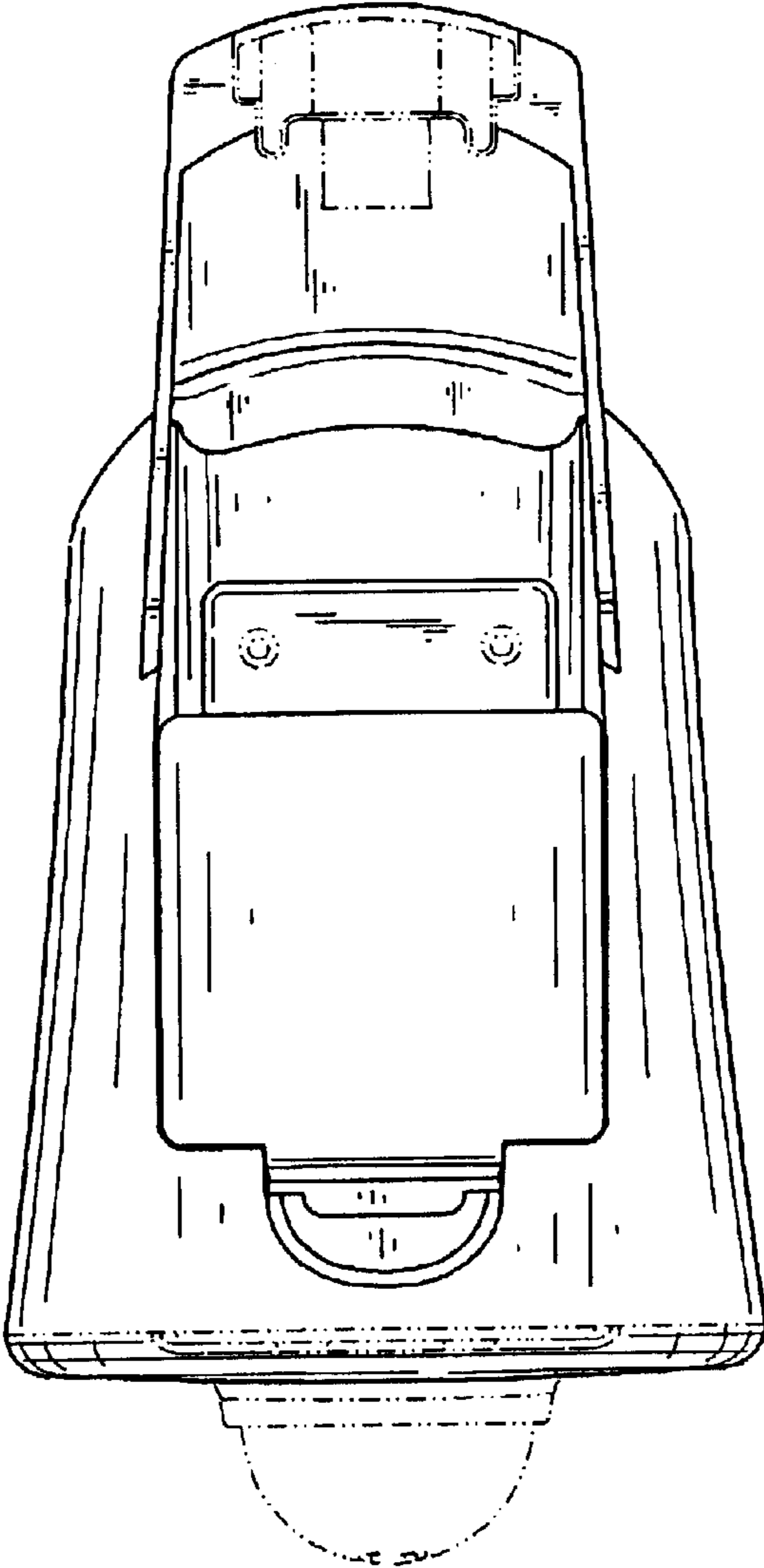


FIG. 4

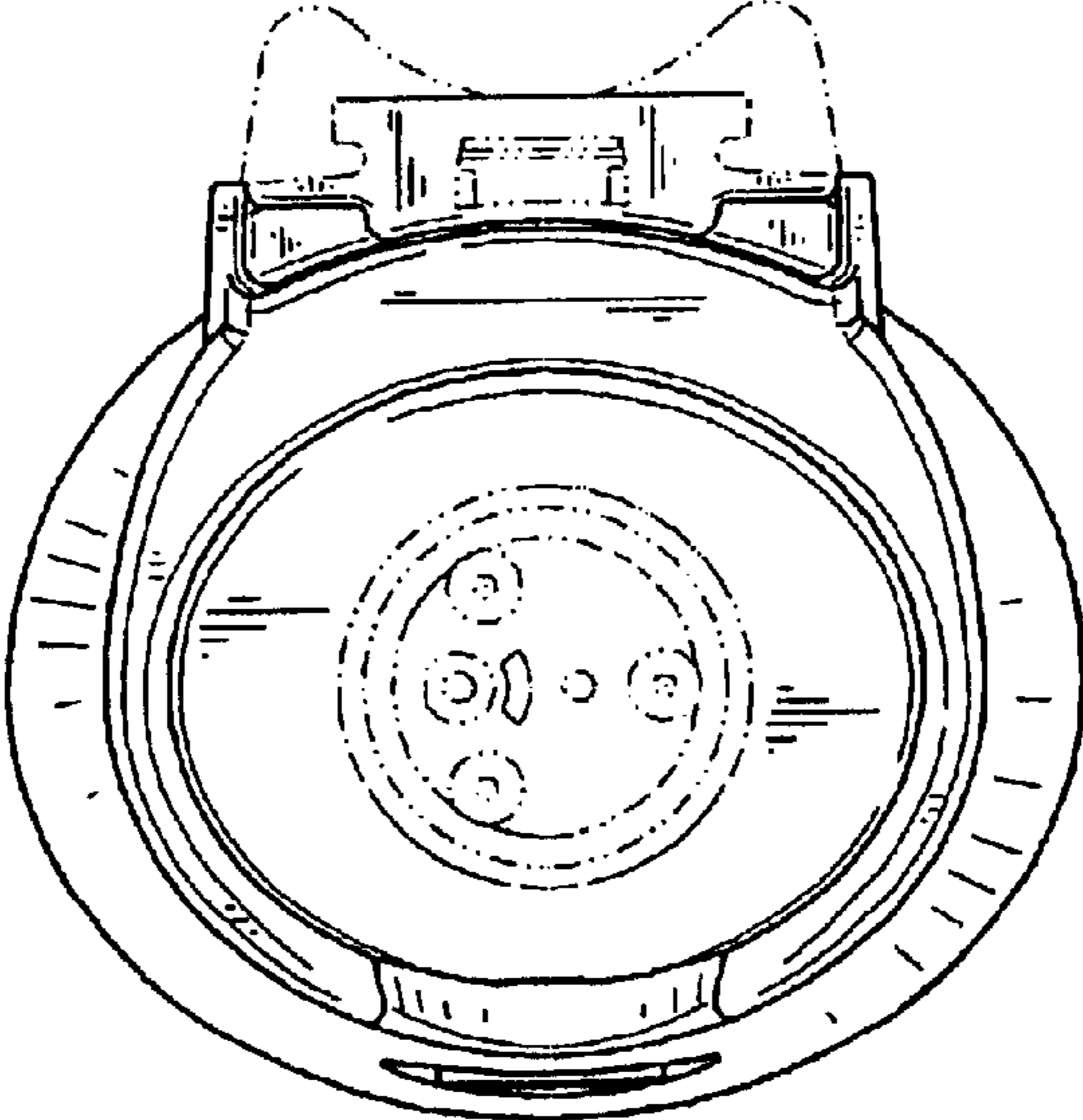


FIG. 5

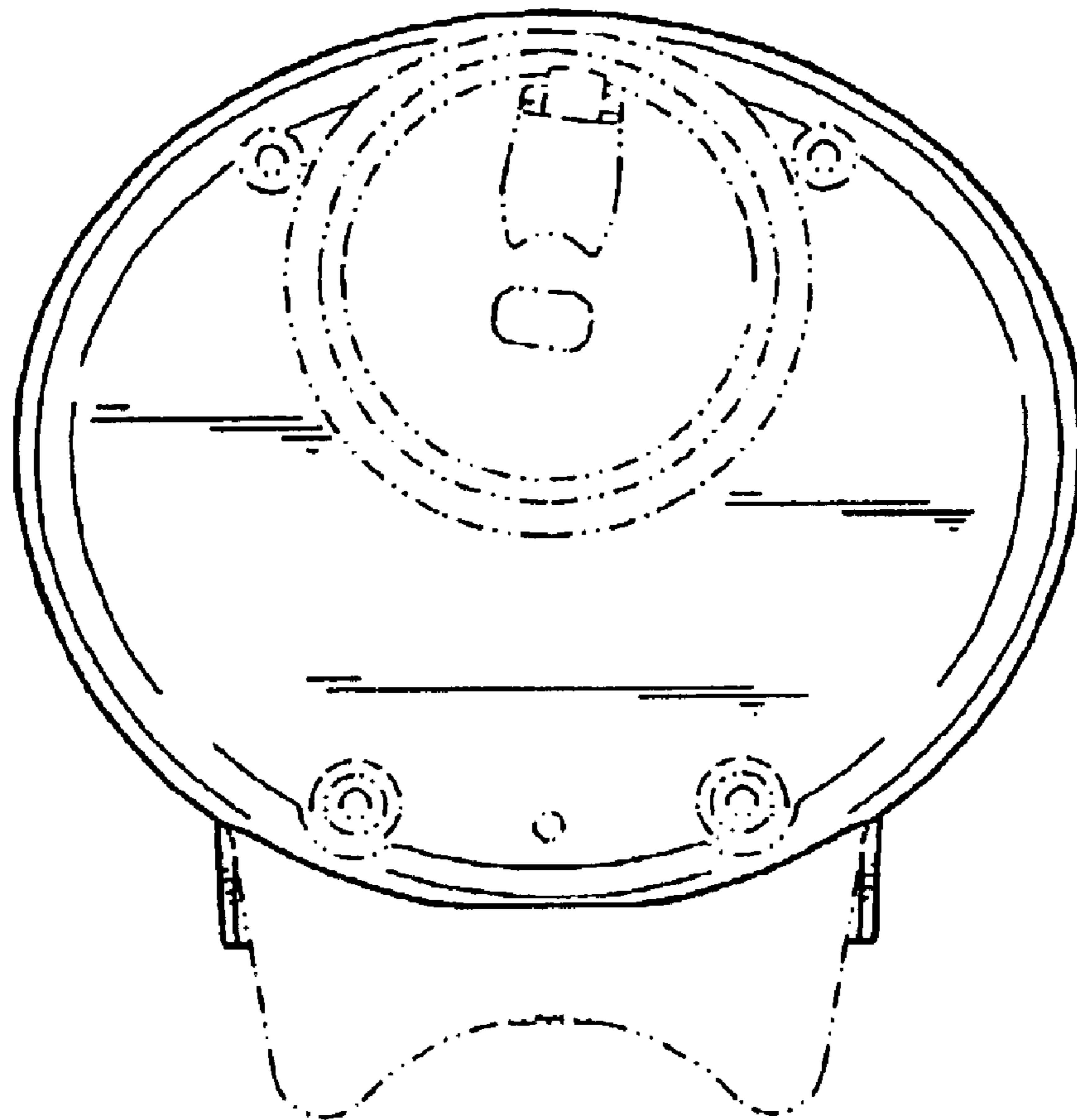


FIG. 6