



US00D499293S

(12) **United States Design Patent**
Ernst et al.

(10) **Patent No.: US D499,293 S**
(45) **Date of Patent: ** Dec. 7, 2004**

(54) **STAND**
(75) **Inventors: Michael L. Ernst, Milford, OH (US);
William J. Kramer, Mason, OH (US)**

6,647,567 B1 * 11/2003 Baldwin et al. 4/255.01
D482,920 S * 12/2003 Libman et al. D6/551
D491,404 S * 6/2004 Dotterman et al. D6/551
D493,994 S * 8/2004 Belt et al. D6/551

(73) **Assignees: J. Kirk Leaphart, Jr., Simpsonville,
SC (US); C. Mark Leaphart,
Simpsonville, SC (US)**

* cited by examiner

(**) **Term: 14 Years**

Primary Examiner—Brian N Vinson
(74) *Attorney, Agent, or Firm*—Joseph T. Guy; Nexsen
Pruet, LLC

(21) **Appl. No.: 29/195,365**

(57) **CLAIM**

(22) **Filed: Dec. 10, 2003**

The ornamental design for a stand, as shown and described.

(51) **LOC (7) Cl. 06-04**

(52) **U.S. Cl. D6/551**

(58) **Field of Search** D6/551, 524; 211/13.1,
211/65, 62.1, 69.1; 206/344, 349; 4/255.05,
661, 255.01; 312/206, 207

DESCRIPTION

FIG. 1 is an isometric view of a stand of the present invention;

FIG. 2 is a top view of the stand of FIG. 1;

FIG. 3 is a front view of the stand of FIG. 1;

FIG. 4 is a bottom view of a stand of FIG. 1;

FIG. 5 is a right side view of the stand of FIG. 1;

FIG. 6 is a left side view of the stand of FIG. 1; and,

FIG. 7 is a rear view of the stand of FIG. 1.

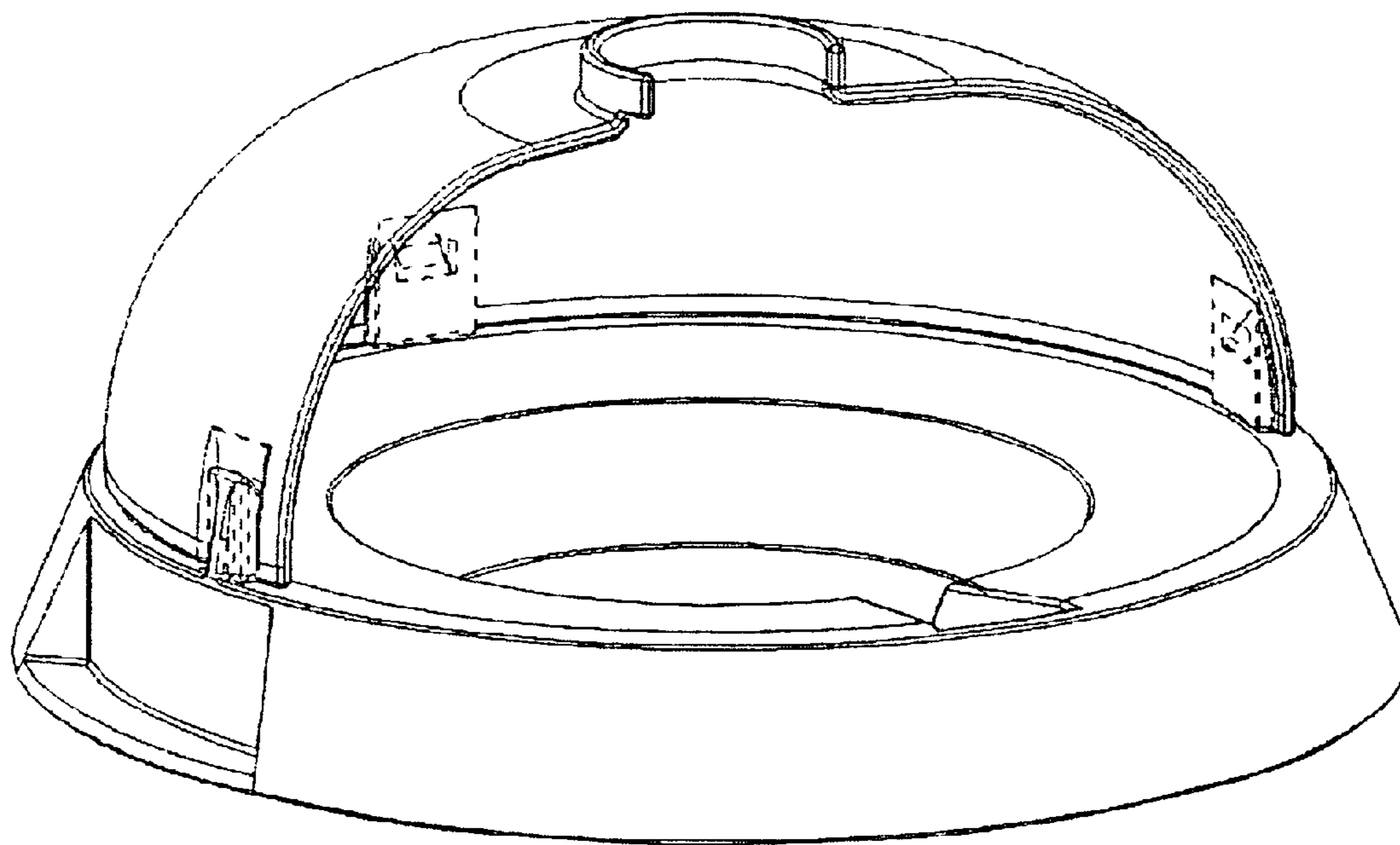
The broken-line disclosure in the views is for illustrative purposes only and forms no part of the claimed design.

(56) **References Cited**

U.S. PATENT DOCUMENTS

5,940,897 A 8/1999 James 4/255.02
D423,844 S * 5/2000 Bruns et al. D6/524
6,484,326 B1 11/2002 Leaphart et al. 4/255.02
D474,931 S * 5/2003 Baldwin et al. D6/551

1 Claim, 7 Drawing Sheets



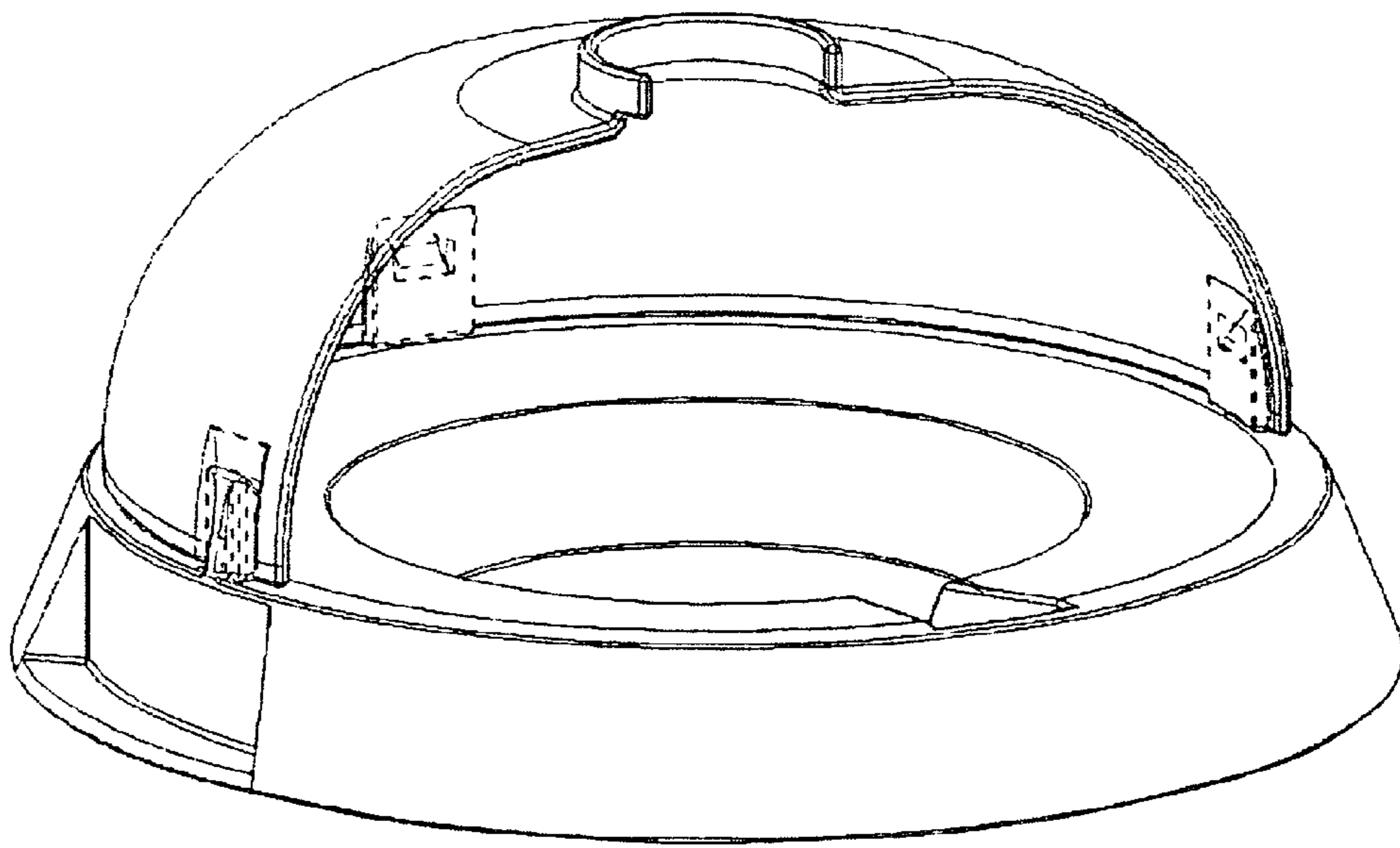


Fig 1

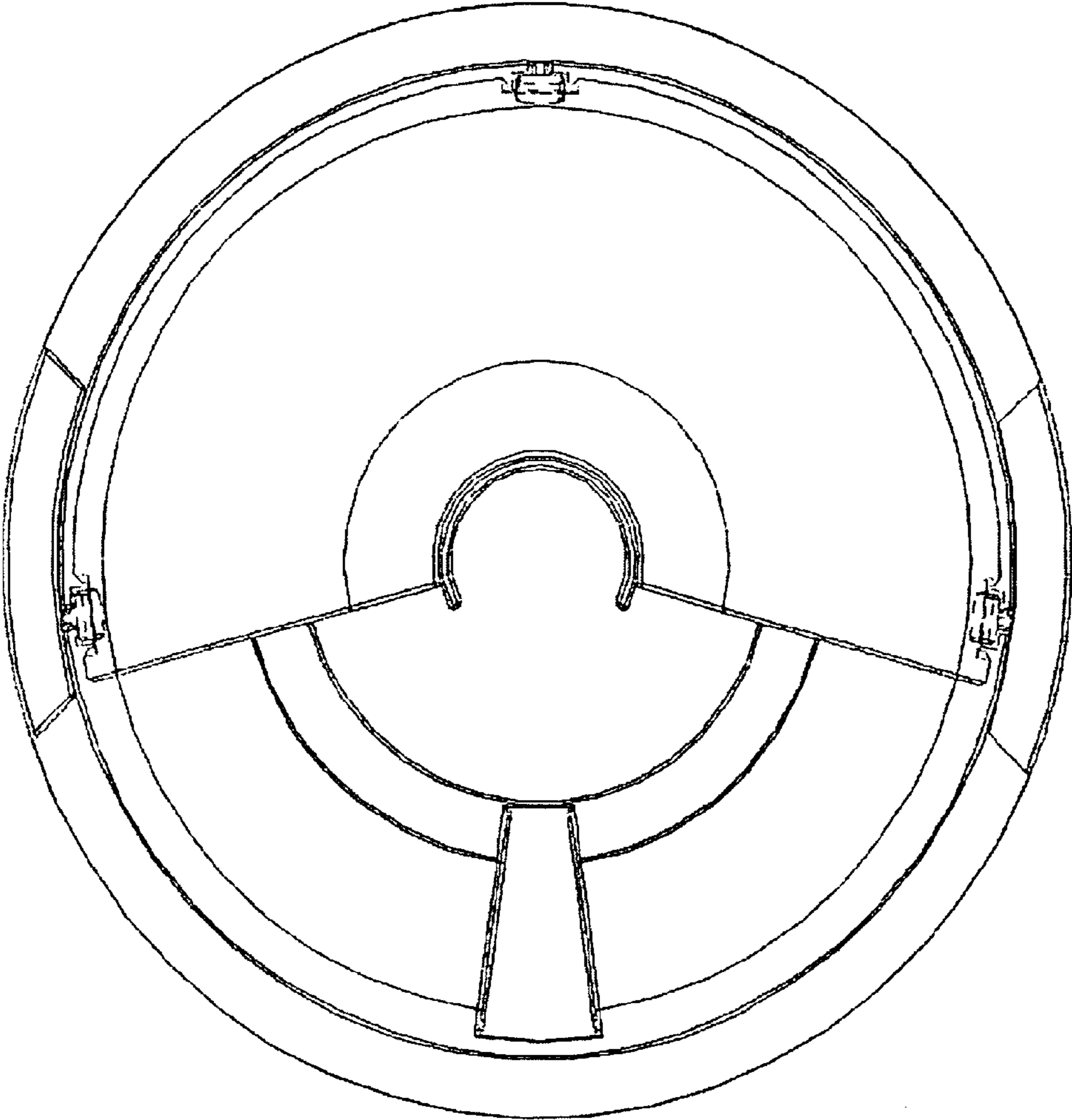


Fig 2

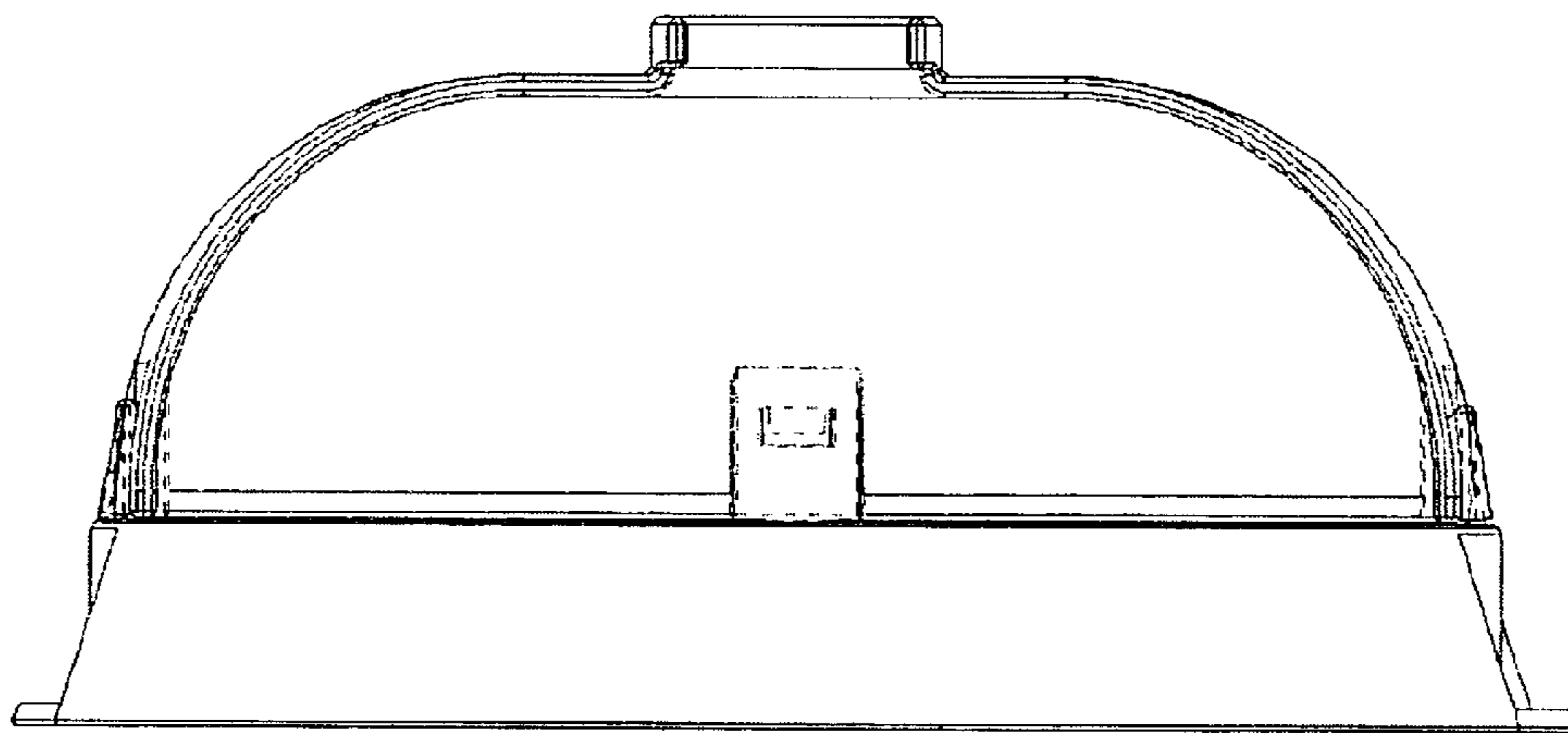


Fig 3

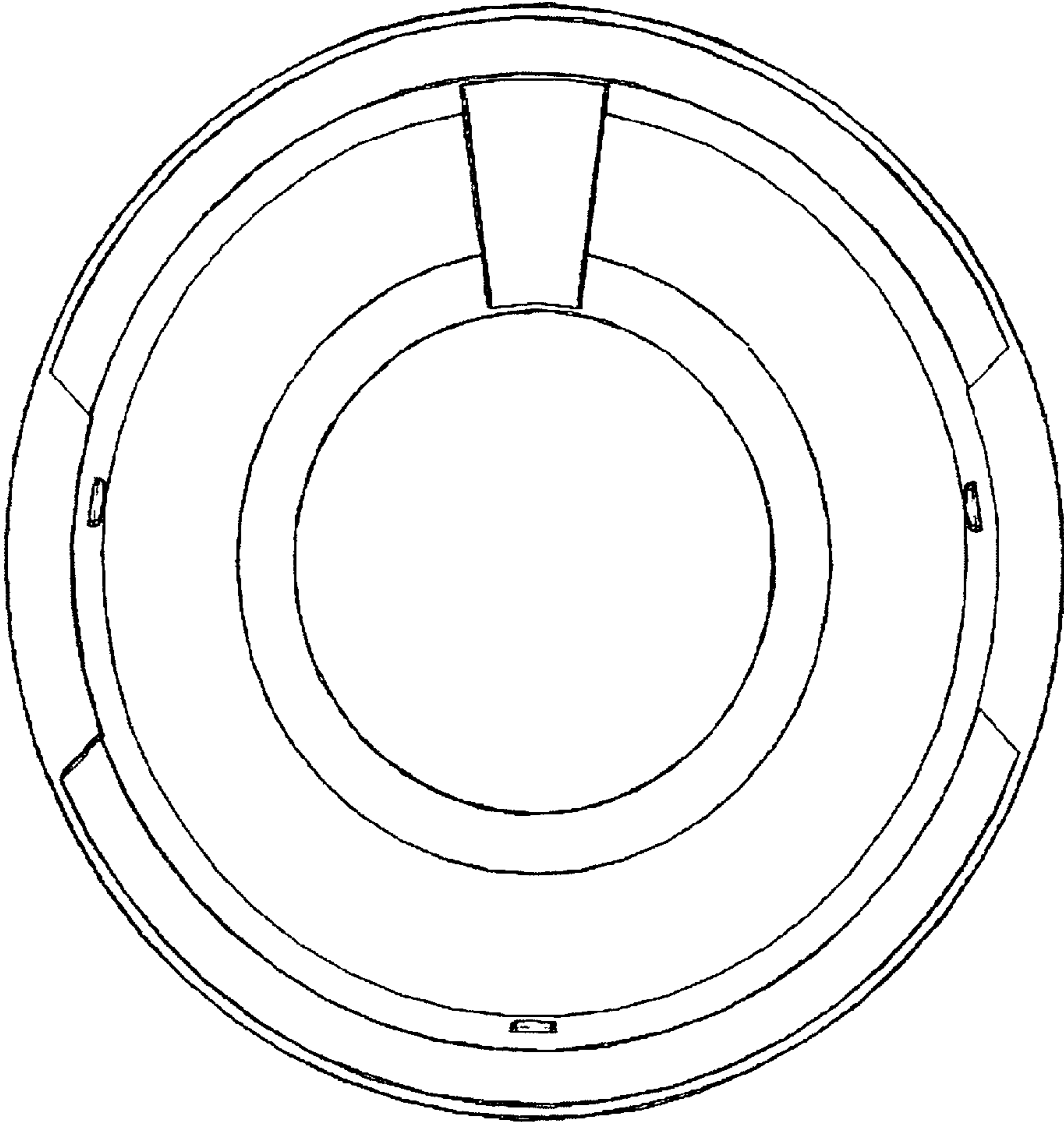


Fig 4

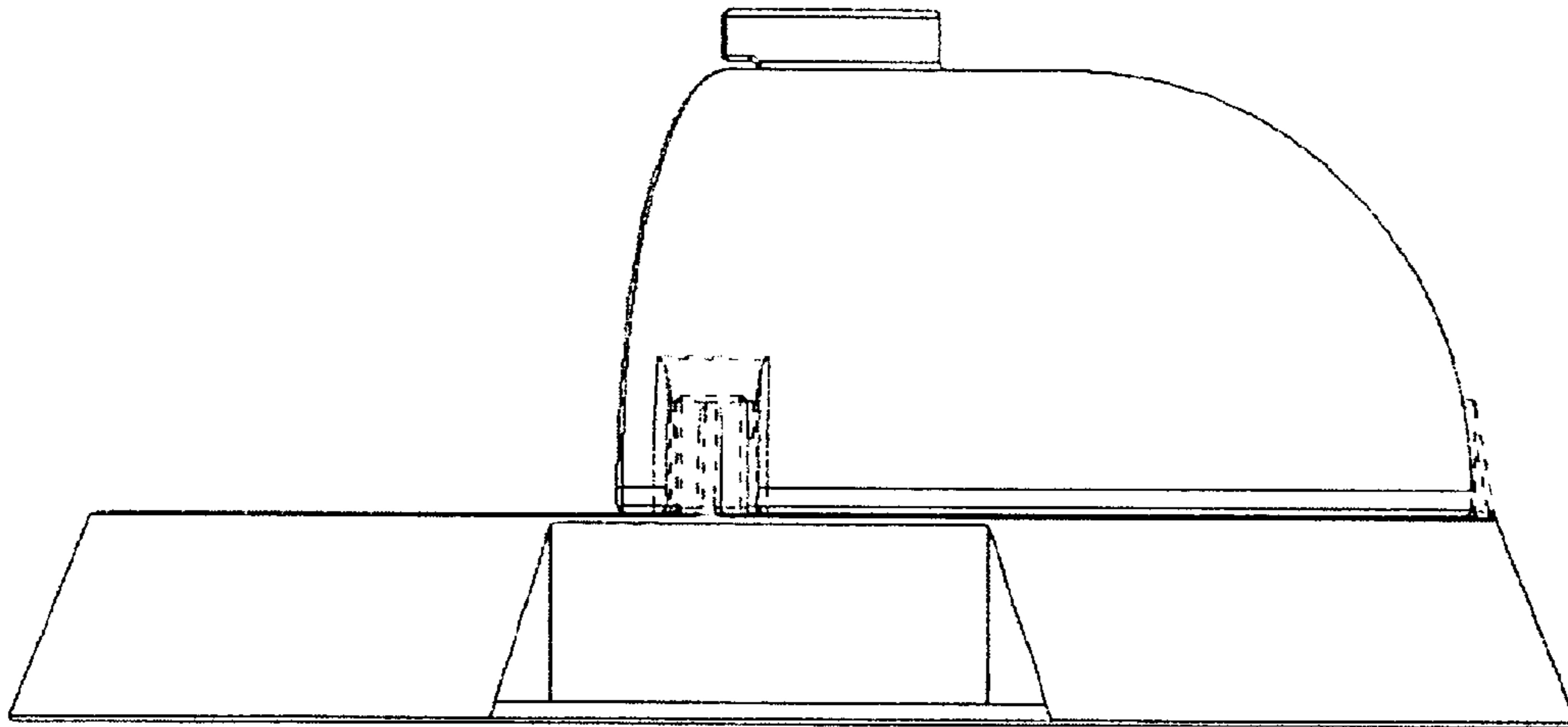


Fig 5

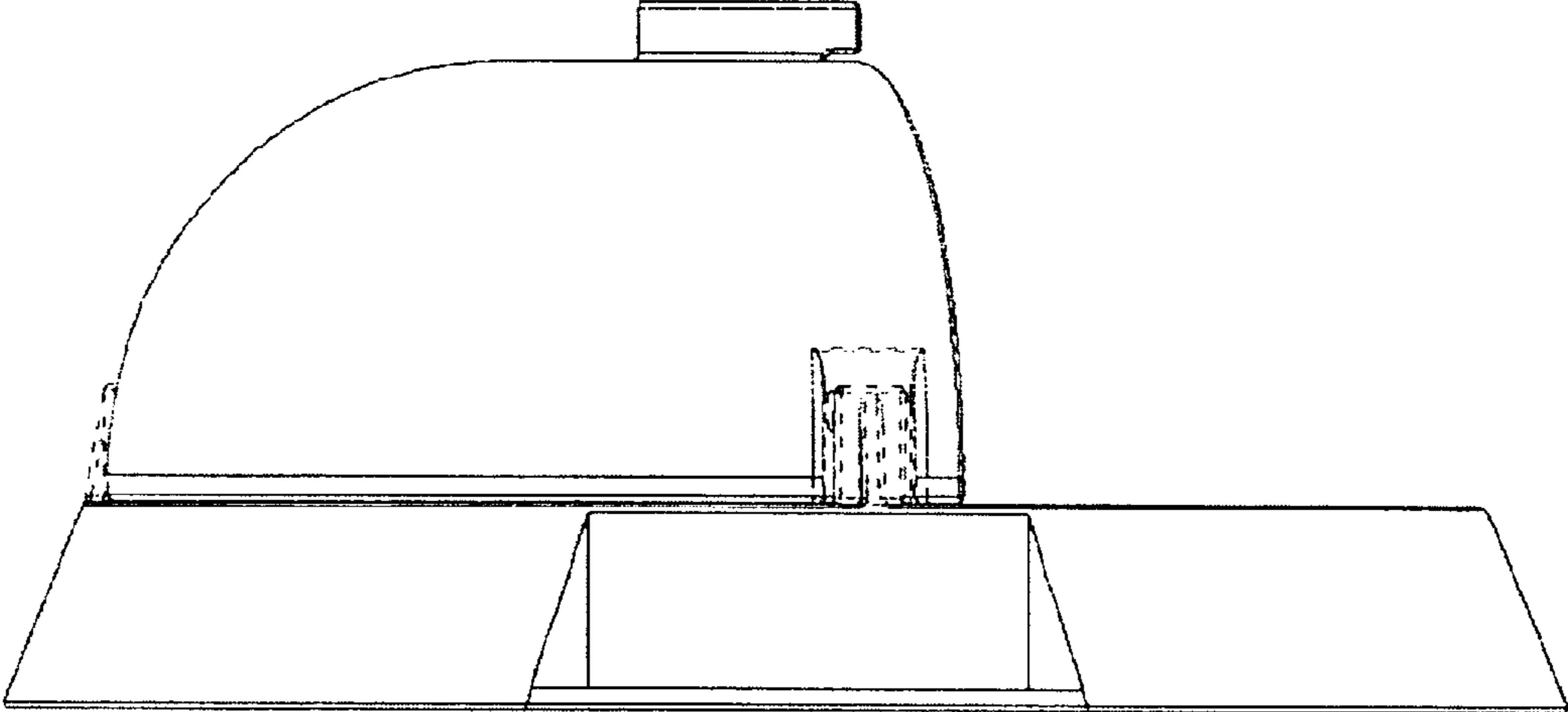


Fig 6

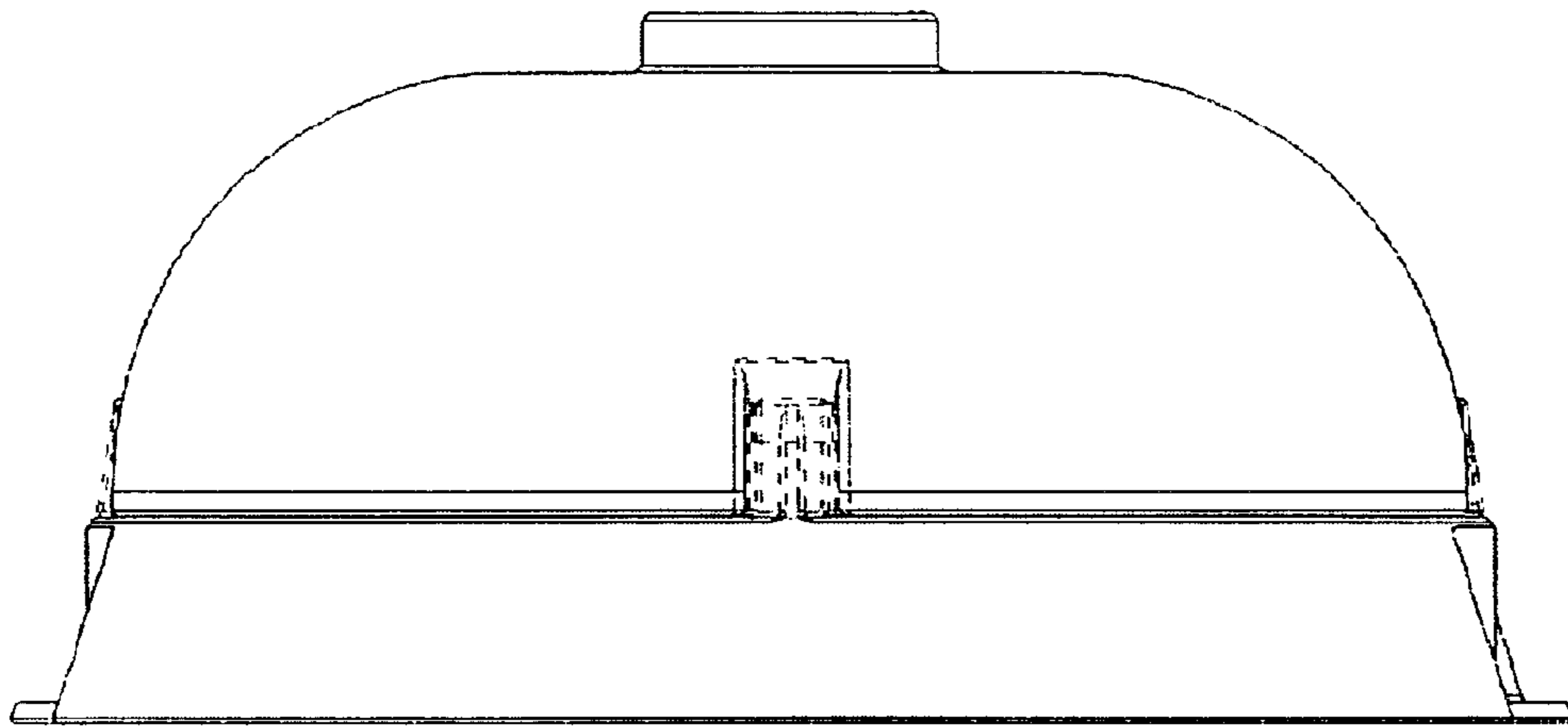


Fig 7