

US00D499292S

(12) **United States Design Patent**
Sale, Jr.

(10) **Patent No.:** **US D499,292 S**

(45) **Date of Patent:** **** Dec. 7, 2004**

(54) **MULTI-STEP OVAL ROSETTE MOUNTING BRACKET AND POST**

(75) **Inventor:** **Kenneth Martin Sale, Jr.**, South San Francisco, CA (US)

(73) **Assignee:** **Sale Builders Hardware, Ltd.**, South San Francisco, CA (US)

(**) **Term:** **14 Years**

(21) **Appl. No.:** **29/186,729**

(22) **Filed:** **Jul. 23, 2003**

(51) **LOC (7) Cl.** **06-04**

(52) **U.S. Cl.** **D6/550**

(58) **Field of Search** D6/546-550, 518-519, D6/522-524; D8/300, 303, 315-321; 108/28-29; 211/13.1, 16, 60.1, 86.01, 87.01, 88.01, 88.04, 100, 105.1-105.2, 123, 181.1, 182; 248/175, 176.1, 251, 302; 16/110.1, 412, 415; 242/570, 590, 595-598

(56) **References Cited**

U.S. PATENT DOCUMENTS

- D426,095 S * 6/2000 Chen D6/549
- D427,471 S * 7/2000 Chen D6/549
- D478,448 S * 8/2003 Hoernig D6/549

OTHER PUBLICATIONS

Page 2 of Better Home Products catalog featuring Embarcadero Collection (7800 Series). <http://www.betterhome-products.com/Web_Page_Project/catalogpg2-p.html>.

Page 3 of Better Home Products catalog featuring “Embarcadero III Collection” (9800 Series—Chrome & Brass Combination). <http://www.betterhomeproducts.com/Web_Page_Project/catalogpg3-p.html>.

* cited by examiner

Primary Examiner—Brian N Vinson

(74) *Attorney, Agent, or Firm*—Fitzpatrick, Cella, Harper & Scinto

(57) **CLAIM**

The ornamental design for a multi-step oval rosette mounting bracket and post, as shown and described.

DESCRIPTION

FIG. 1 is a perspective view of a multi-step oval rosette mounting bracket and post showing my new design;

FIG. 2 is a is a front view thereof;

FIG. 3 is a right side view thereof;

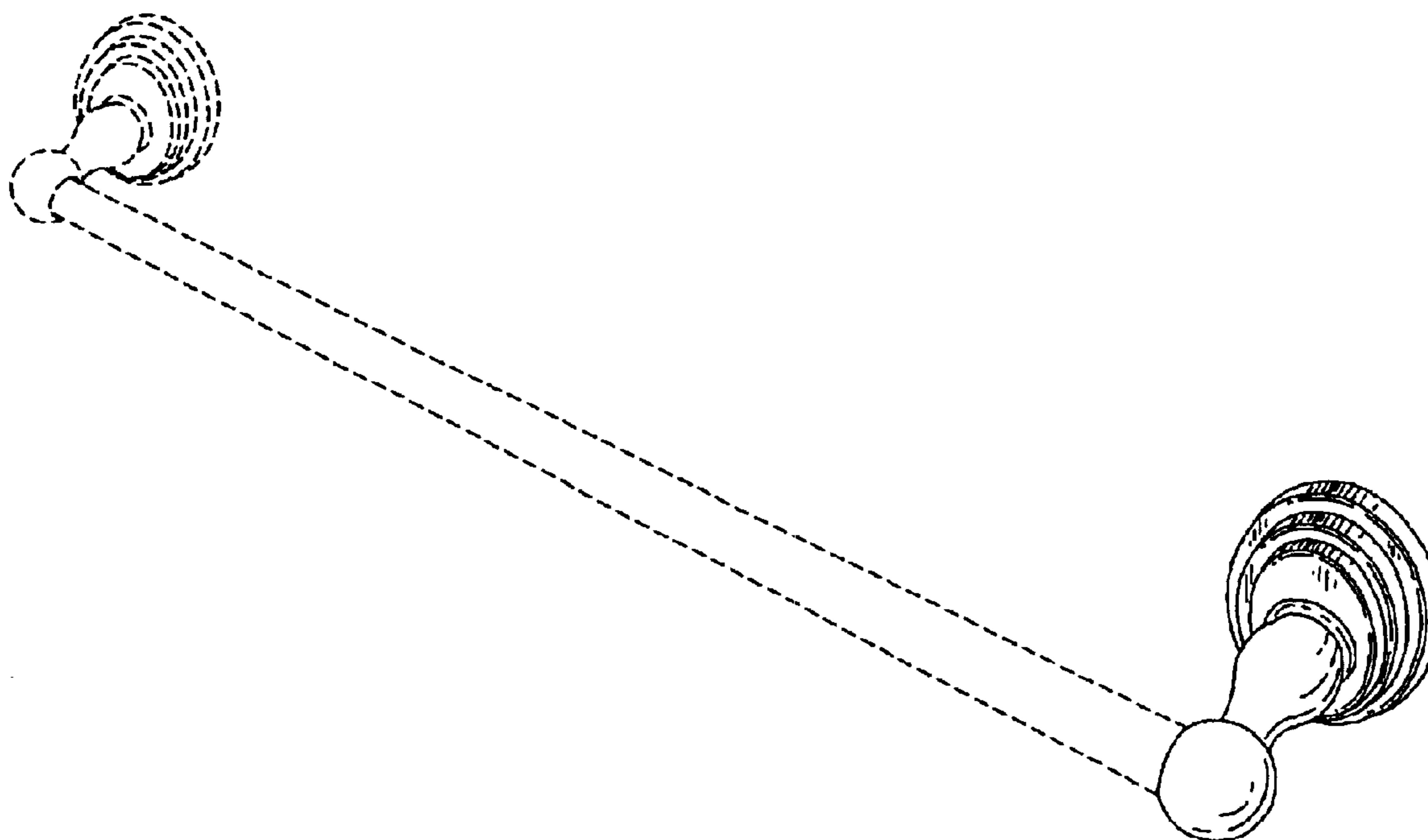
FIG. 4 is a bottom view thereof;

FIG. 5 is a backside view thereof; and,

FIG. 6 is a left side view thereof.

The broken lines, which define the bounds of the invention, form no part thereof.

1 Claim, 2 Drawing Sheets



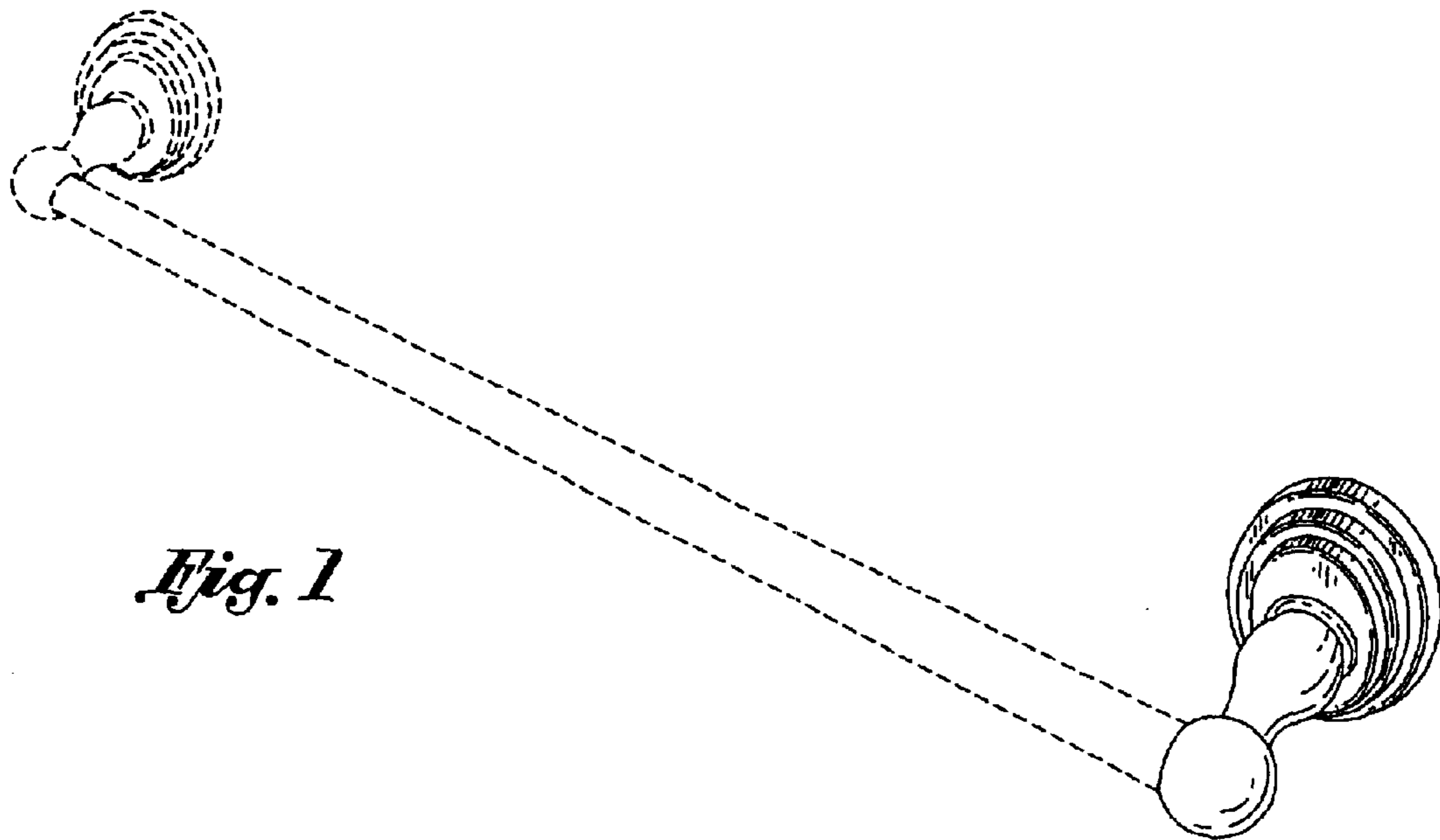


Fig. 1

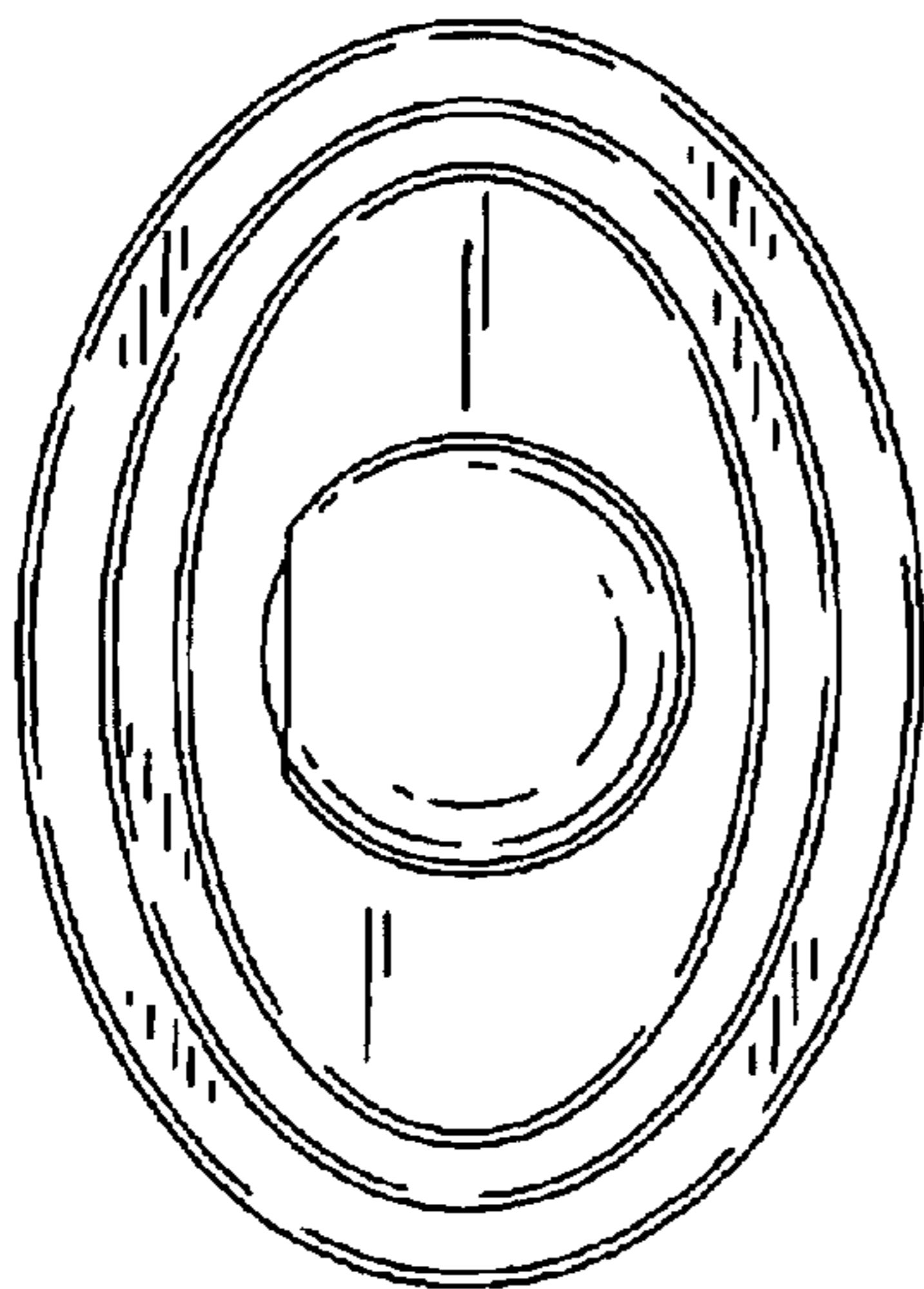


Fig. 2

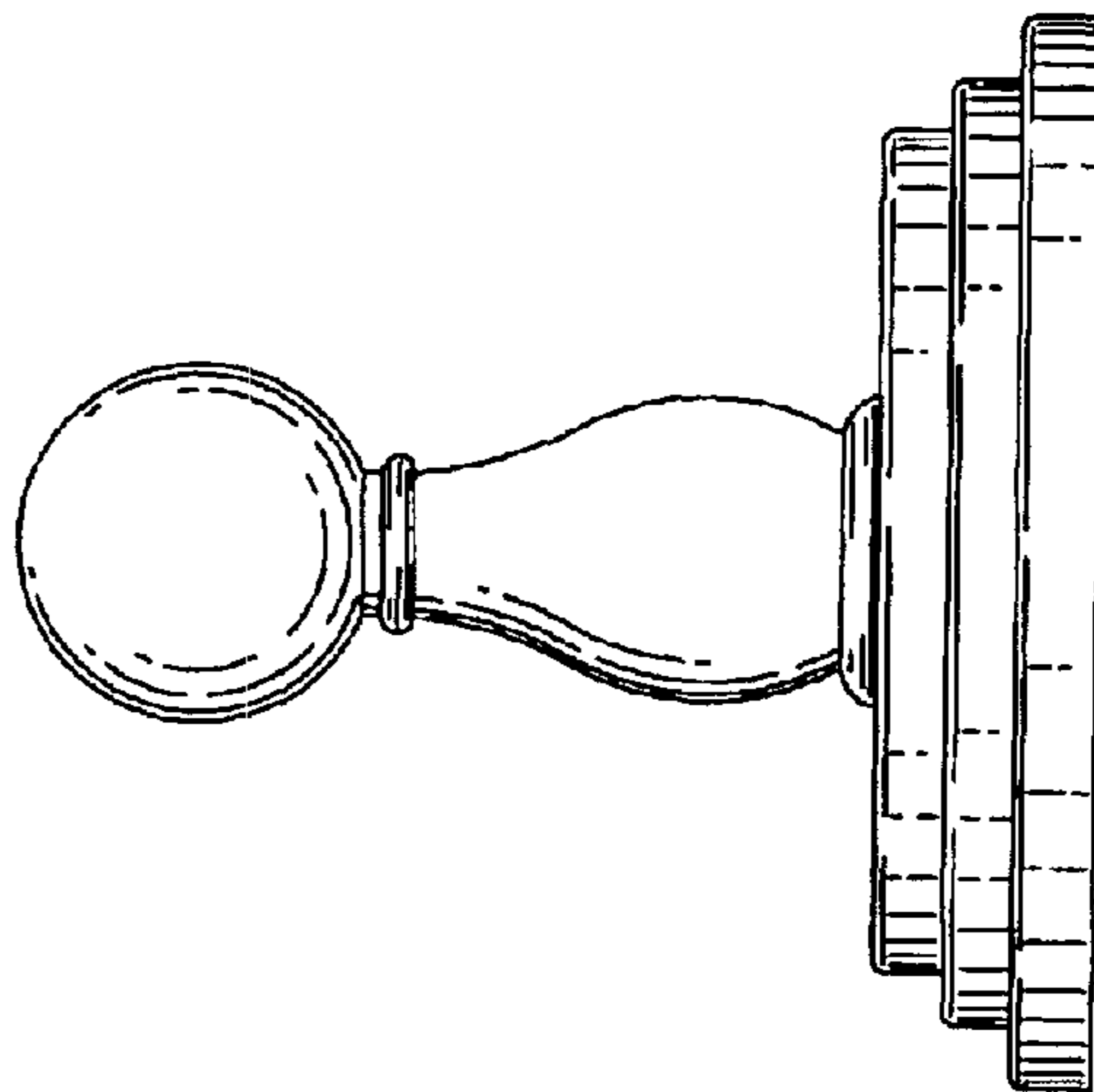


Fig. 3

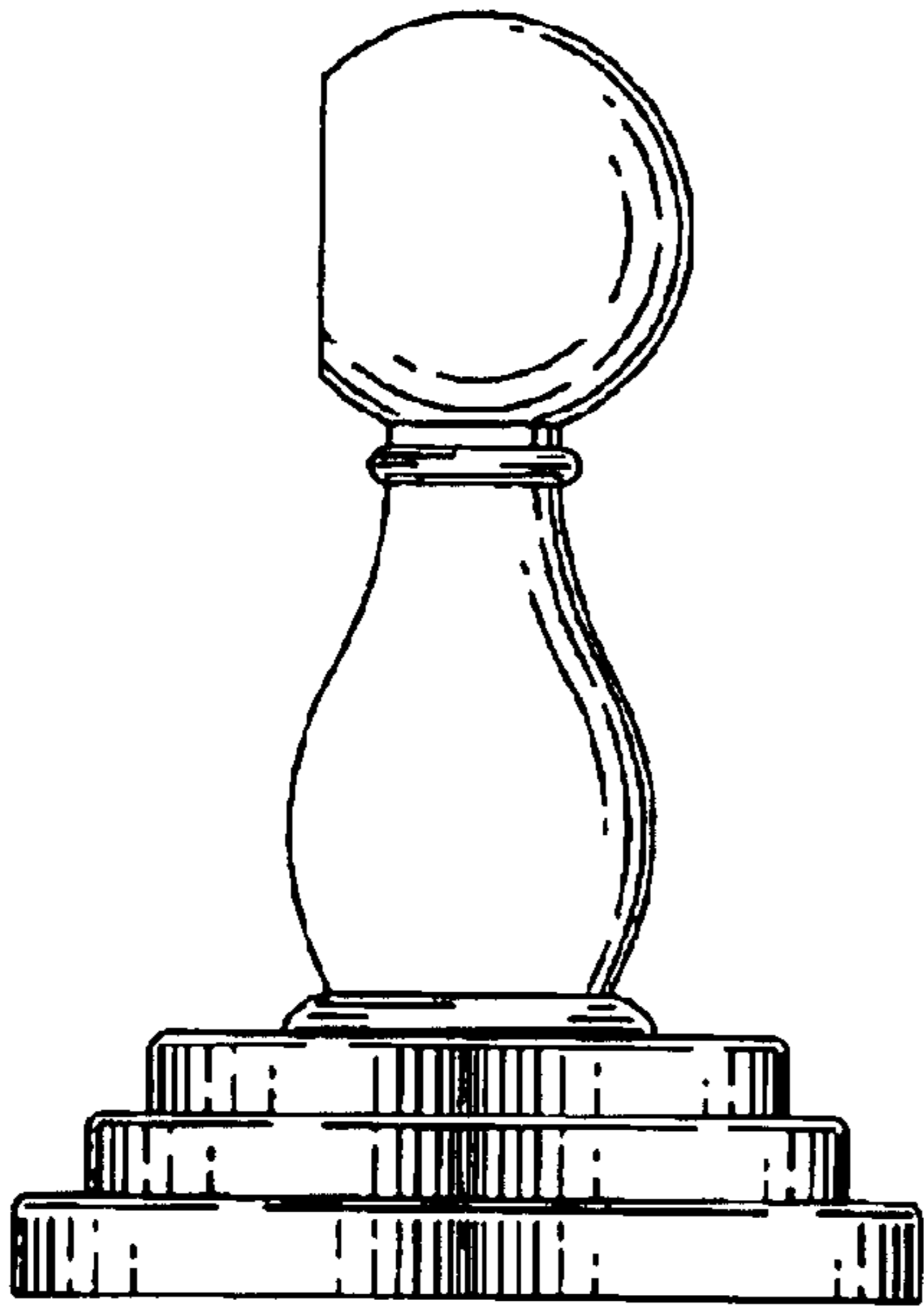


Fig. 4

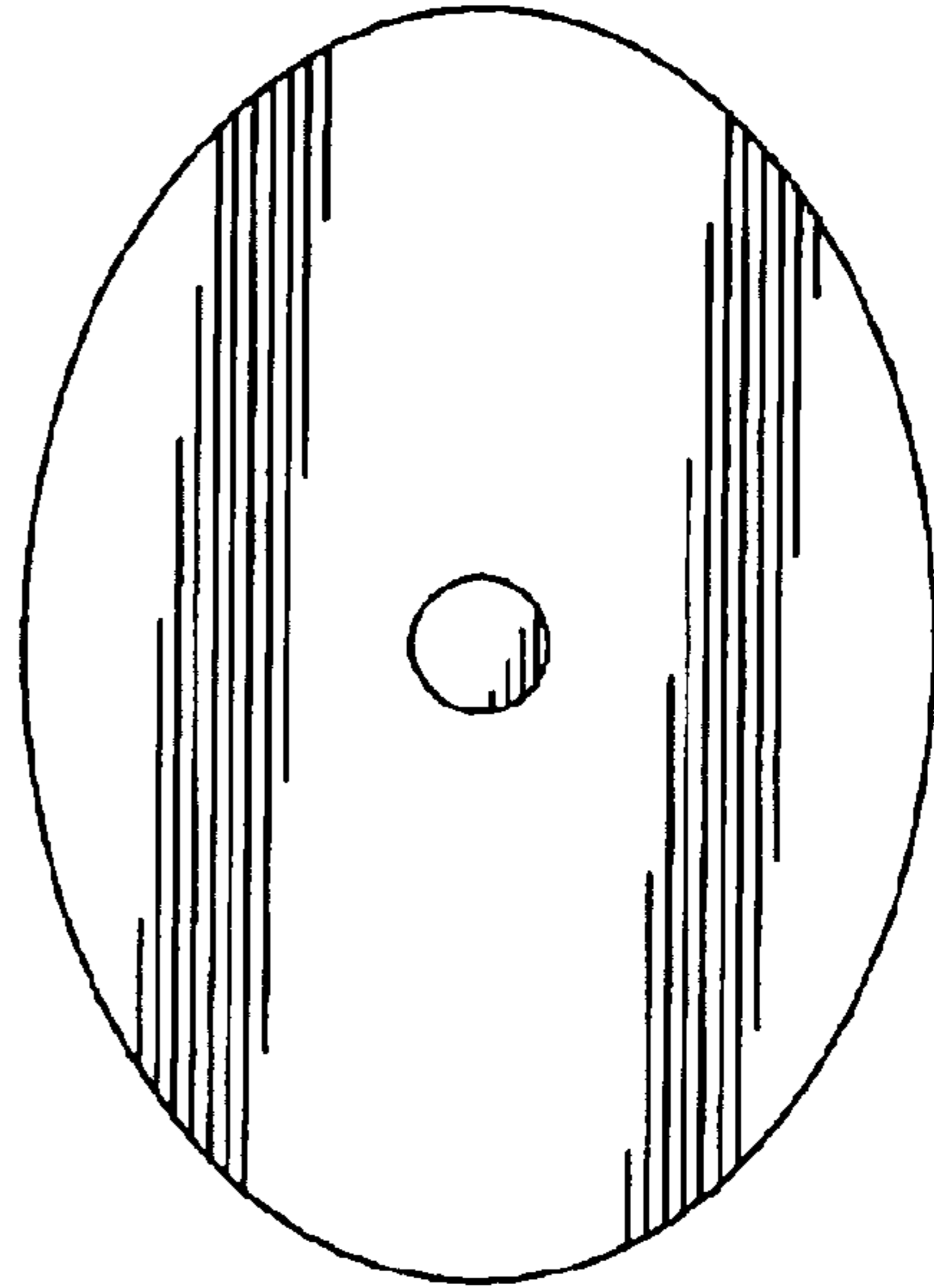


Fig. 5

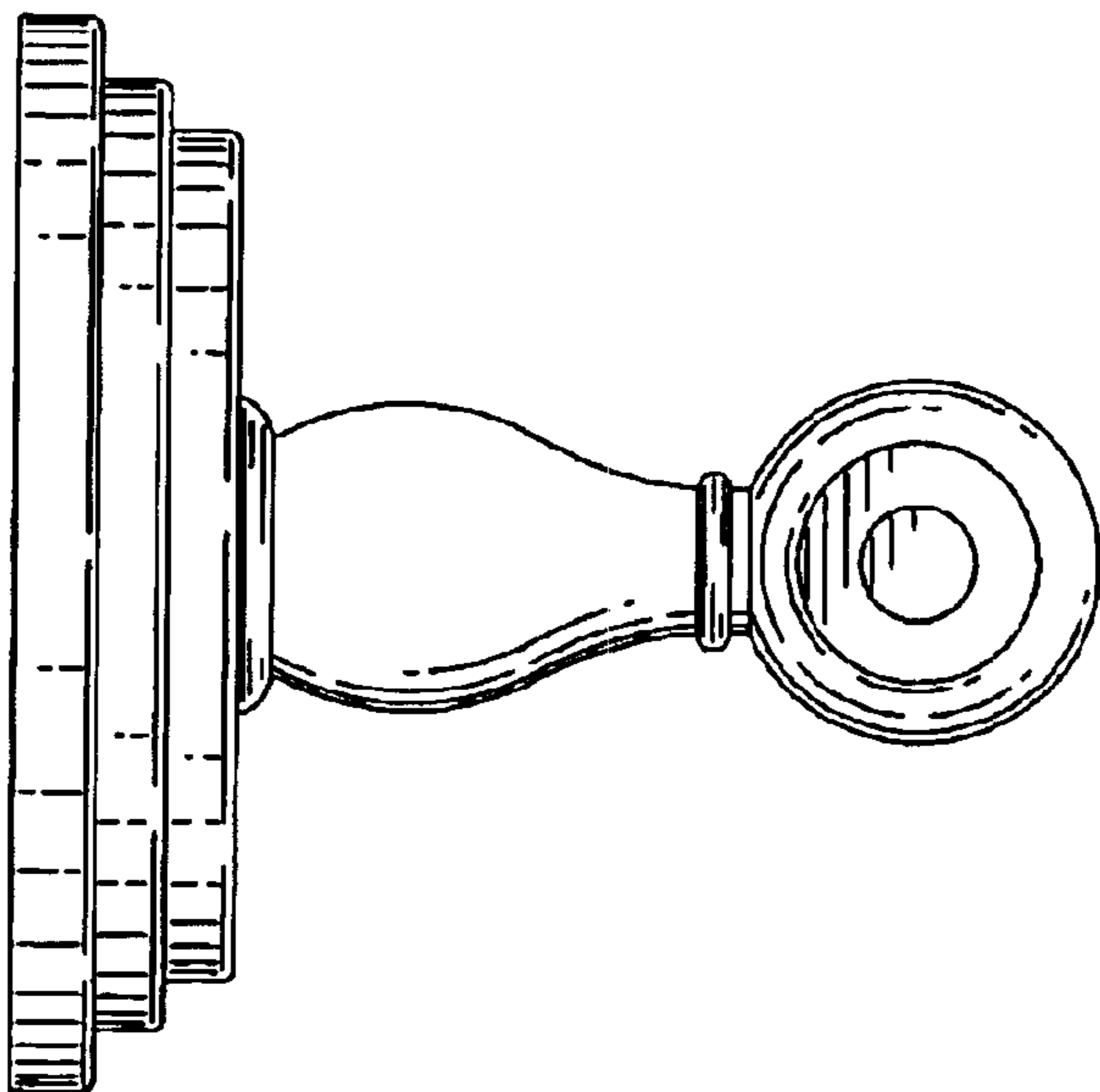


Fig. 6