

US00D499290S

(12) **United States Design Patent**  
**Lai**

(10) **Patent No.:** **US D499,290 S**

(45) **Date of Patent:** **\*\* Dec. 7, 2004**

(54) **HANGING RACK CONNECTOR FOR USE IN A BATHROOM**

(76) **Inventor:** **Ming-Hsiao Lai**, No. 8, Lane 2, Kung Chi Village, Ta Tsuen Hsiang, Chang-Hua Hsien (TW)

(\*\*) **Term:** **14 Years**

(21) **Appl. No.:** **29/199,362**

(22) **Filed:** **Feb. 17, 2004**

(51) **LOC (7) Cl.** ..... **23-02**

(52) **U.S. Cl.** ..... **D6/524**

(58) **Field of Search** ..... D6/546-550, 518-519, D6/522-524; D8/300, 303, 315-321, 354, 363, 373, 380; 108/28-29; 211/13.1, 16, 60.1, 86.01, 87.01, 88.01, 88.04, 100, 105.1-105.2, 123, 126.1, 133.6, 134, 181.1, 182; 248/175, 176.1, 200, 251, 302, 309.1; 16/110.1, 412, 415; 242/570, 590, 595-598; 206/389, 557

(56) **References Cited**

**U.S. PATENT DOCUMENTS**

D337,230 S	*	7/1993	Wang	.....	D6/550
D390,397 S	*	2/1998	Chen	.....	D6/550
D424,354 S	*	5/2000	Duggan	.....	D6/550
D431,948 S	*	10/2000	Chen	.....	D6/524
D449,948 S	*	11/2001	Lai	.....	D6/524
D449,950 S	*	11/2001	Lai	.....	D6/524
D465,955 S	*	11/2002	Yen	.....	D6/550

D466,347 S	*	12/2002	Chen	.....	D6/550
D466,350 S	*	12/2002	Tai	.....	D6/550
D469,292 S	*	1/2003	Chen et al.	.....	D6/550
D474,929 S	*	5/2003	Lai	.....	D6/524
D474,932 S	*	5/2003	Lai	.....	D6/524
D477,168 S	*	7/2003	Greenspon	.....	D6/524
D477,946 S	*	8/2003	Ouano	.....	D6/524
D484,720 S	*	1/2004	Moore	.....	D6/524
D492,525 S	*	7/2004	Roberts et al.	.....	D6/524

\* cited by examiner

*Primary Examiner*—Brian N Vinson

(74) *Attorney, Agent, or Firm*—Harrison & Egbert

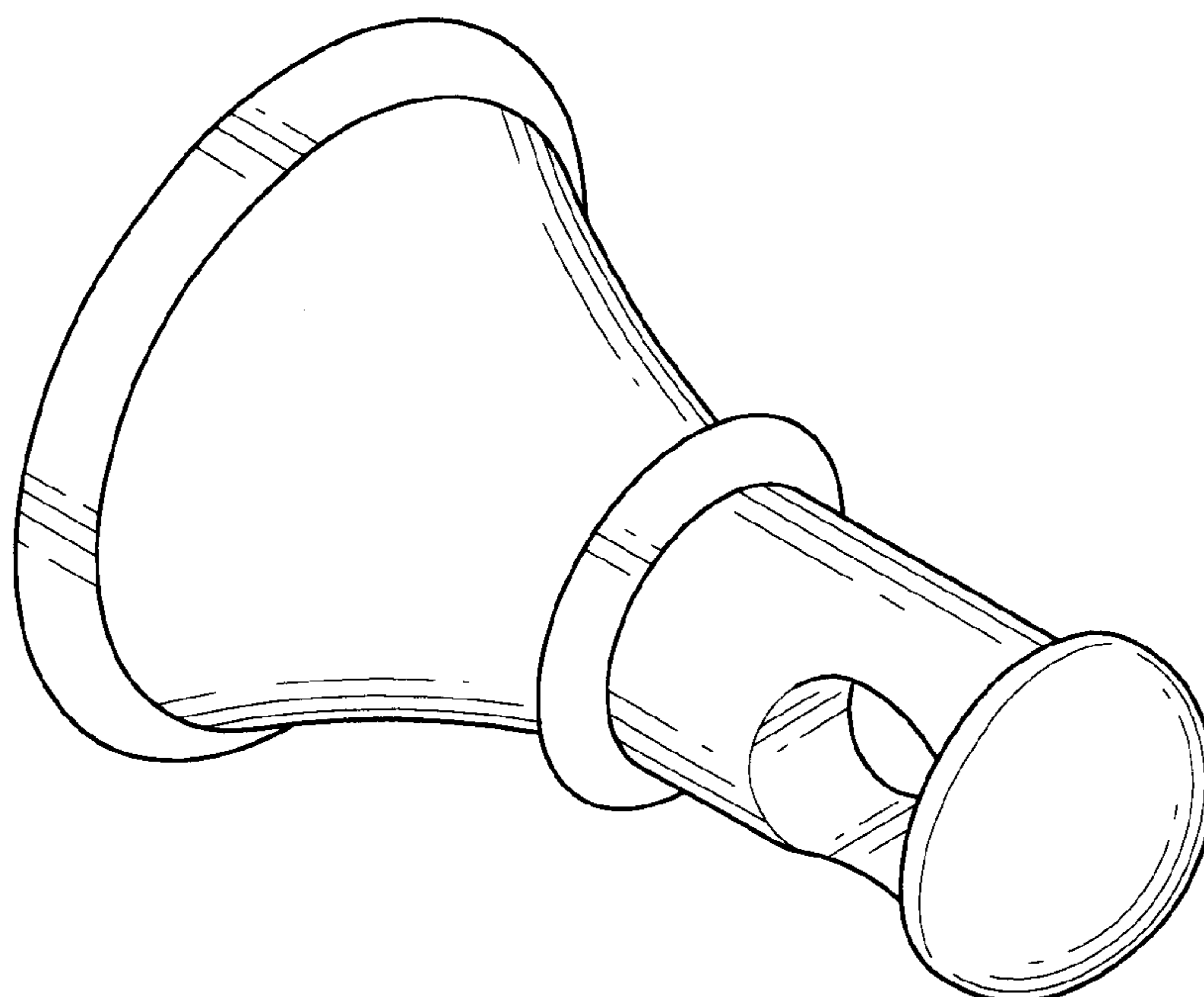
(57) **CLAIM**

The ornamental design for a hanging rack connector for use in a bathroom, as shown and described.

**DESCRIPTION**

FIG. 1 is an upper perspective view of the hanging rack connector for use in a bathroom showing my design; FIG. 2 is a front elevational view thereof; FIG. 3 is a rear elevational view thereof; FIG. 4 is a side elevational view thereof; FIG. 5 is an opposite side elevational view thereof; FIG. 6 is a top plan view thereof; FIG. 7 is a bottom plan view thereof; and, FIG. 8 is a reduced perspective view thereof, with the broken-line disclosure of a second connector and towel bar being for illustrative purposes only and forming no part of the claimed design.

**1 Claim, 5 Drawing Sheets**



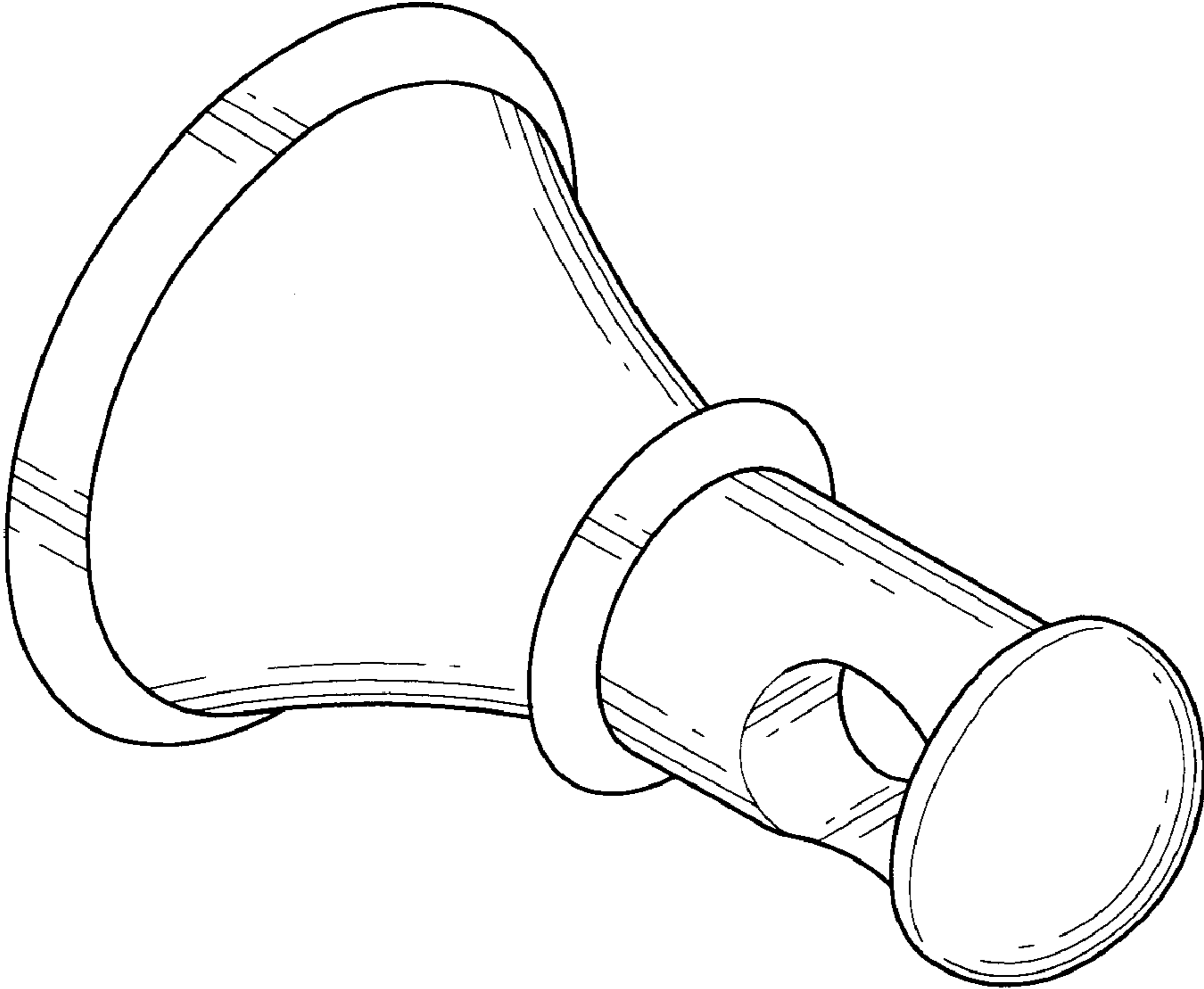


FIG.1

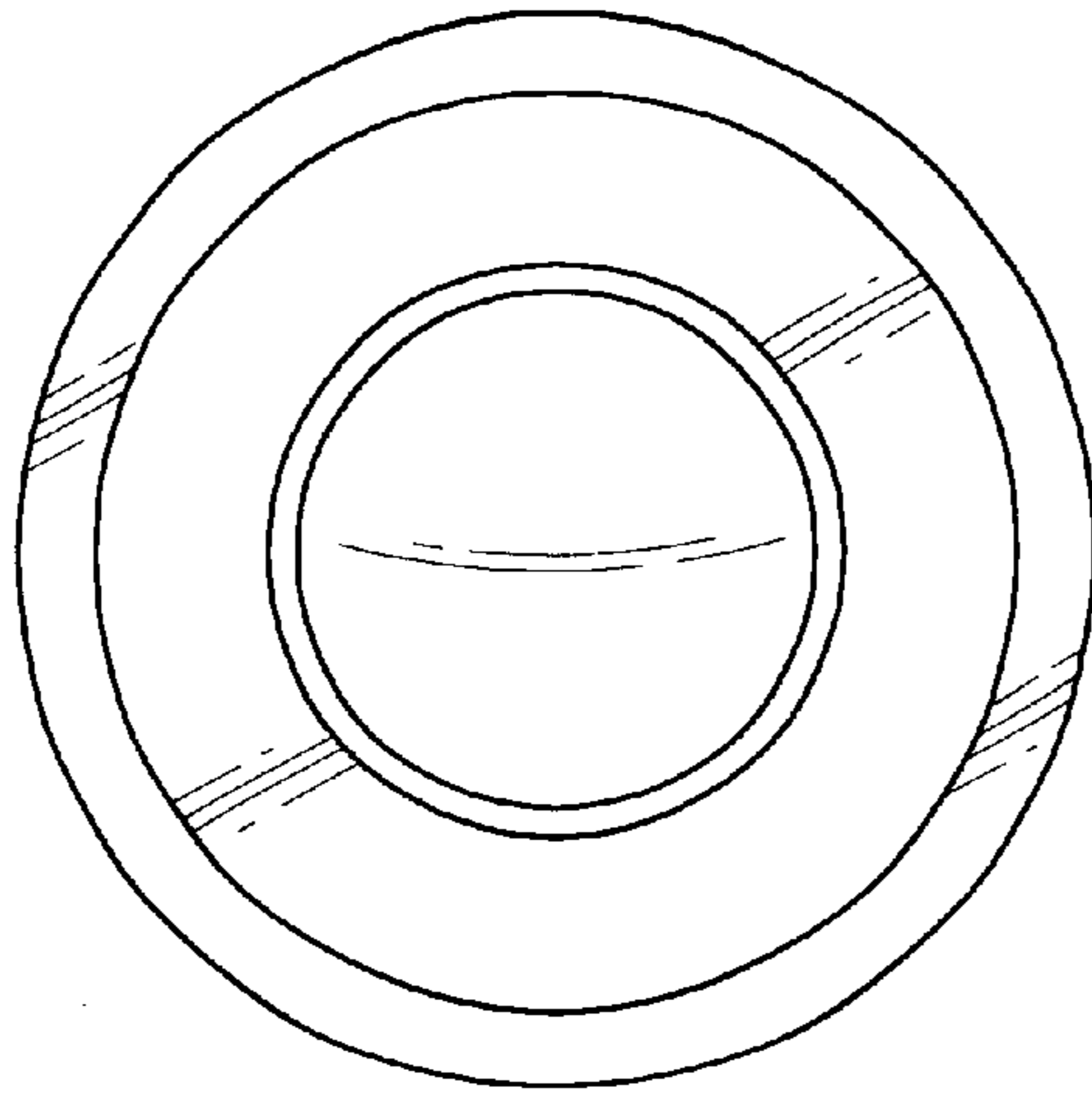


FIG. 2

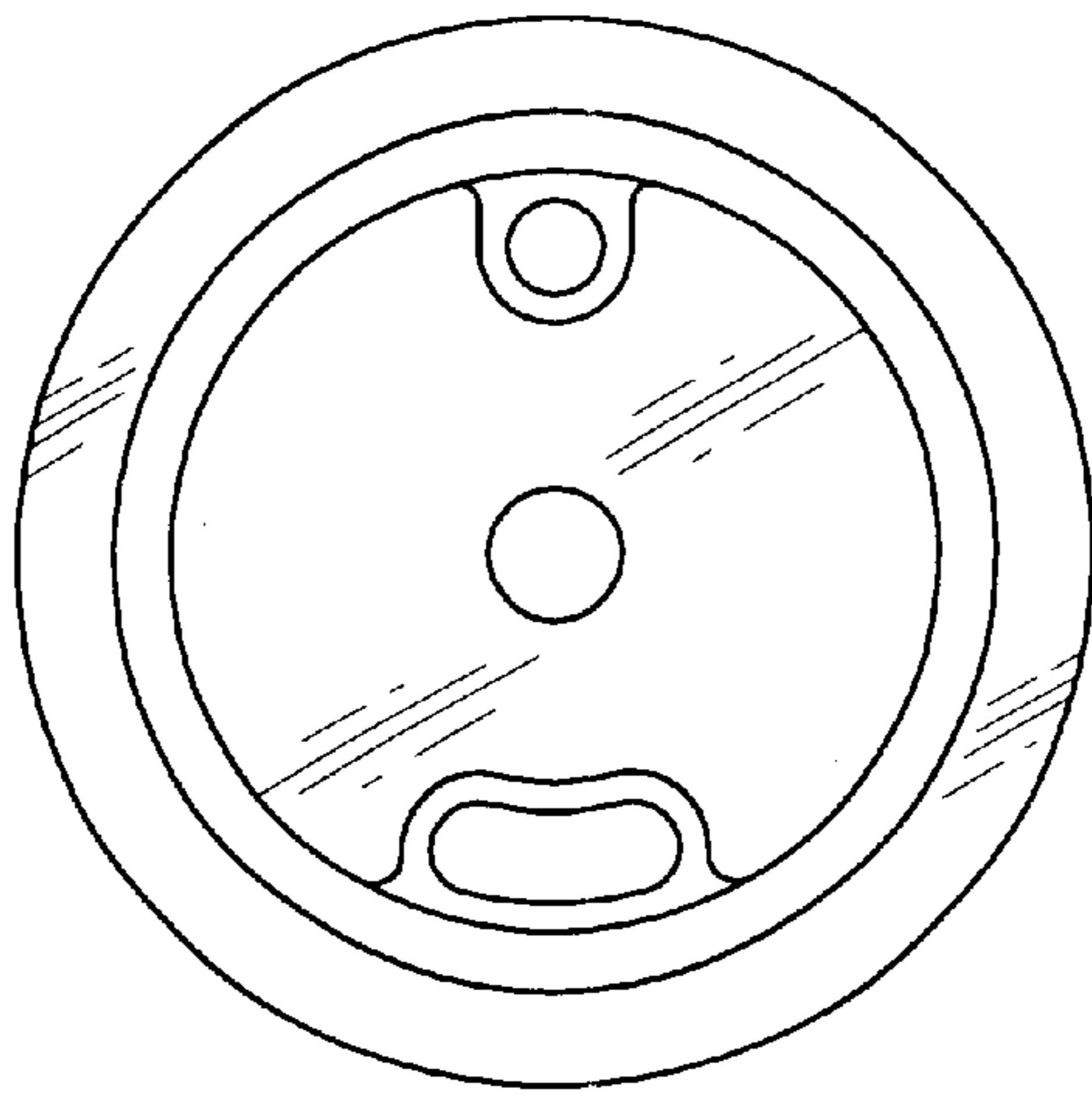


FIG. 3

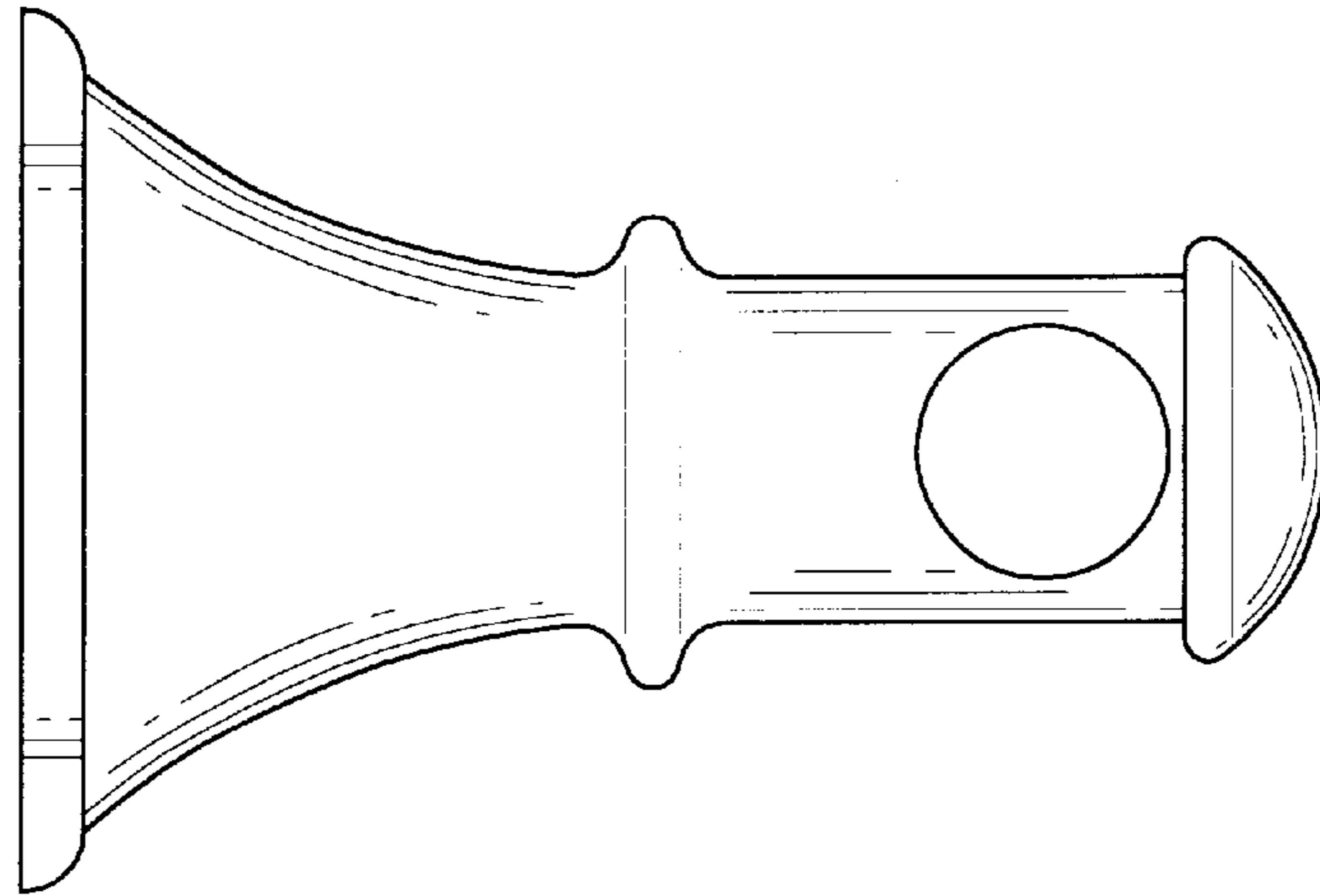


FIG. 4

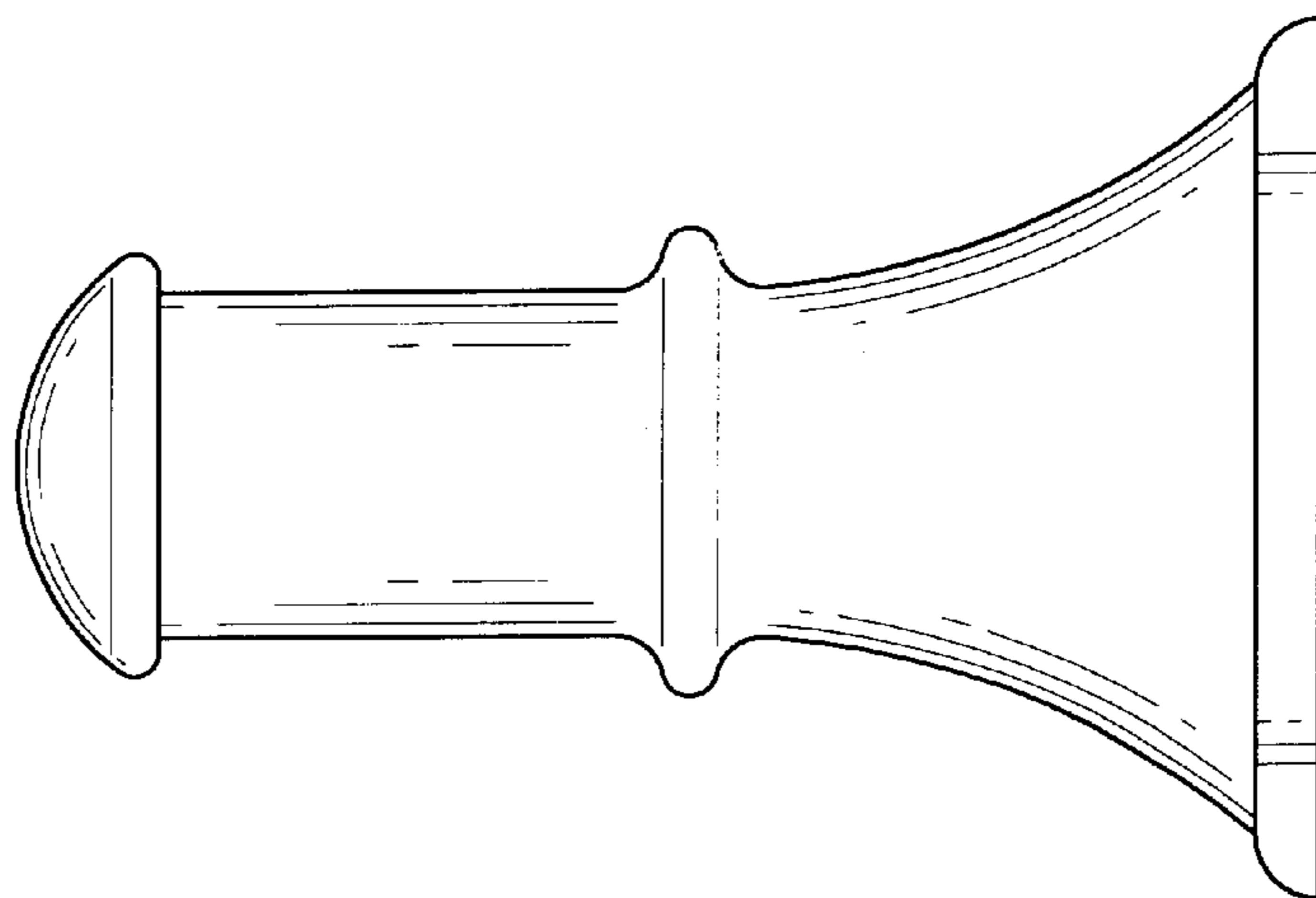


FIG. 5

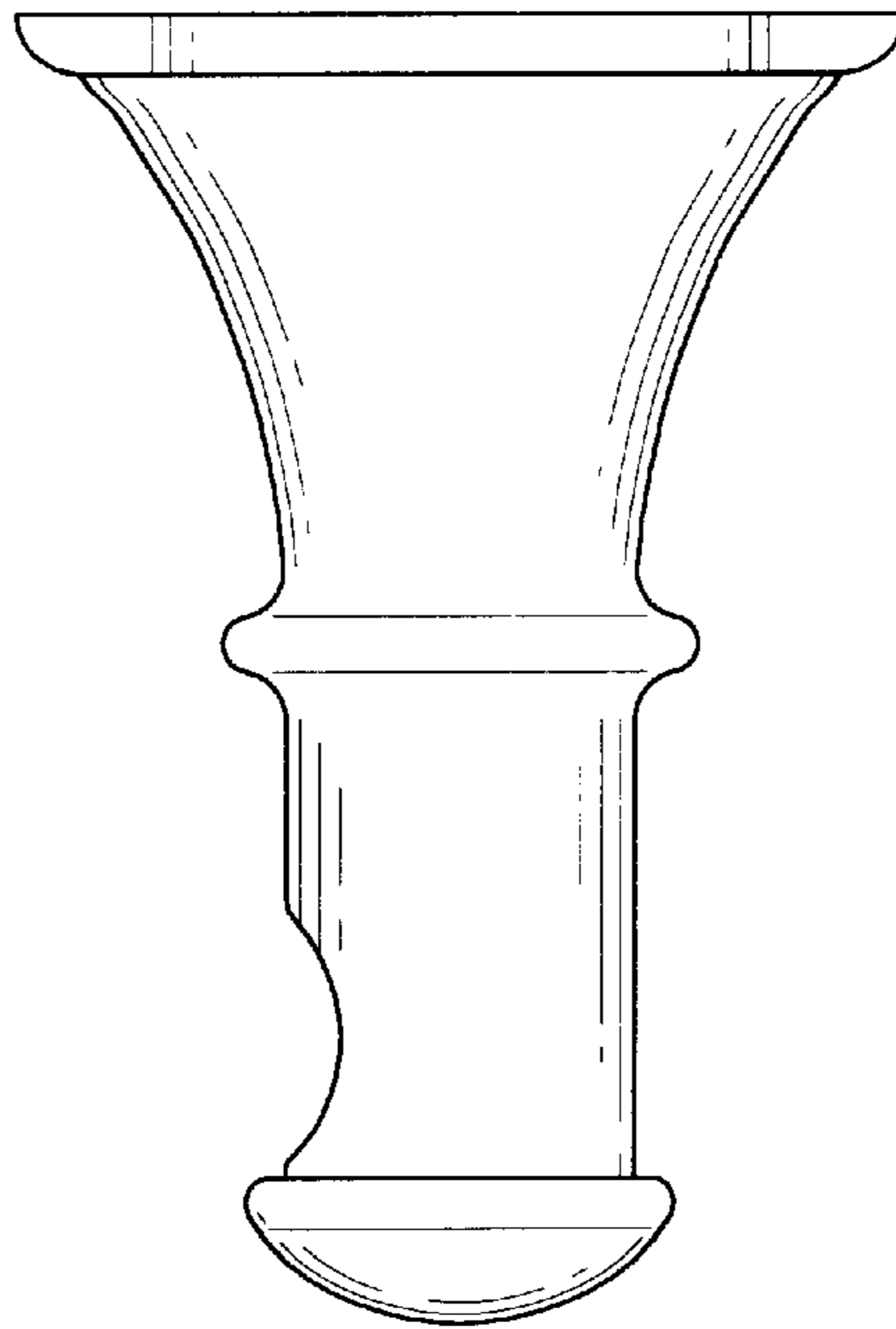


FIG. 6

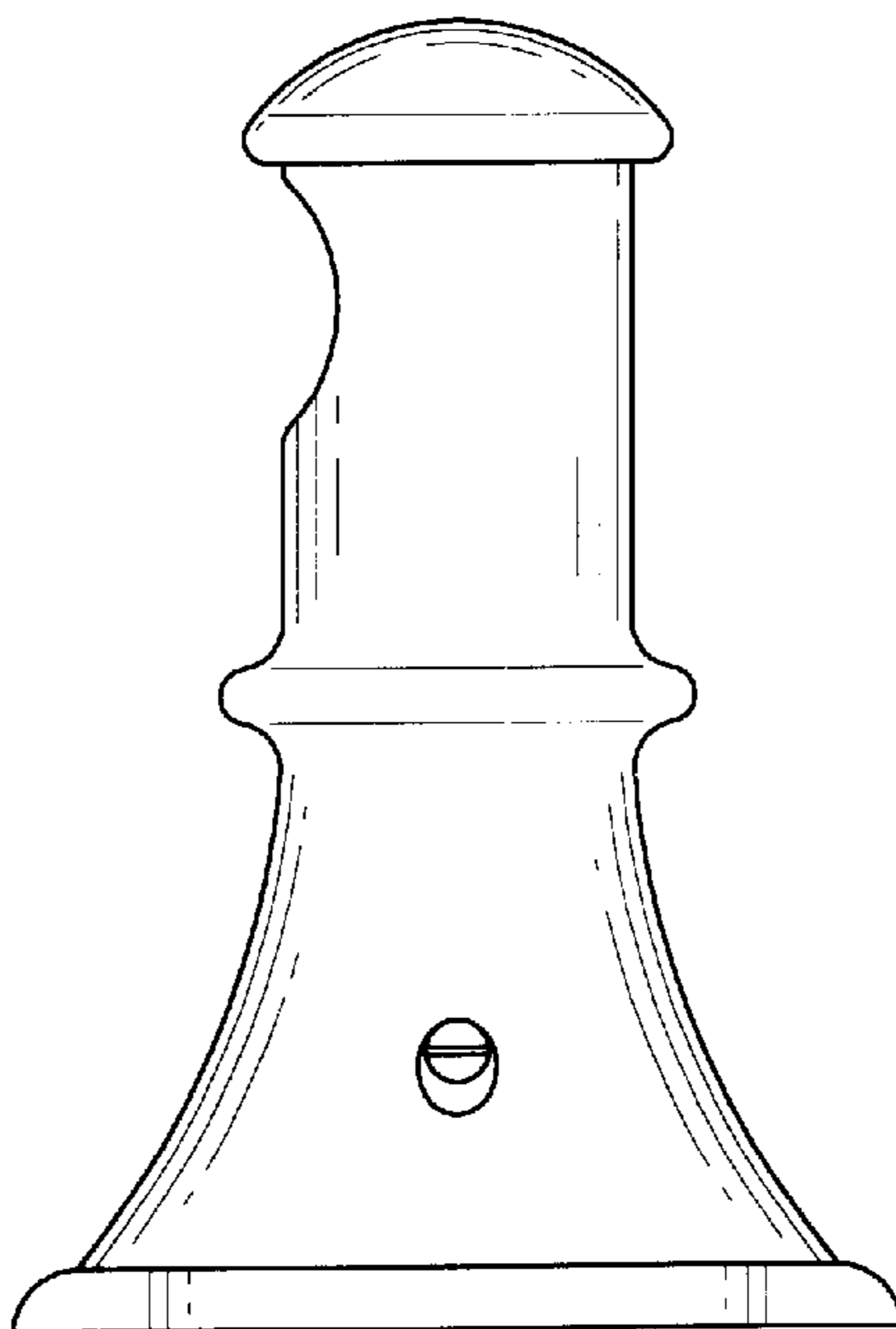


FIG. 7

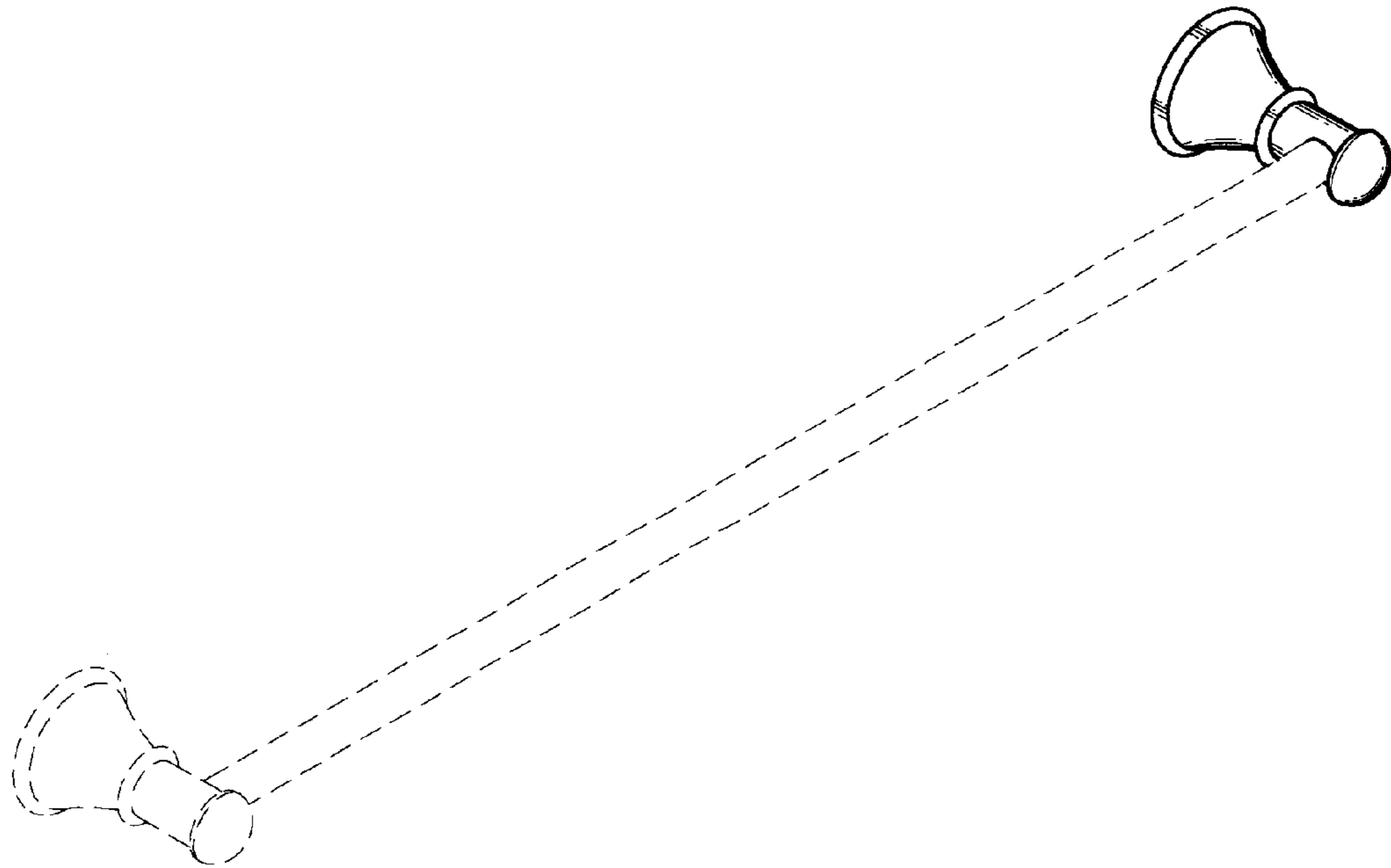


FIG.8