

US00D499285S

(12) **United States Design Patent**  
**Wells**

(10) **Patent No.:** **US D499,285 S**  
(45) **Date of Patent:** **\*\* Dec. 7, 2004**

(54) **MARTIAL ARTS BELT DISPLAY**

D457,763 S \* 5/2002 Borys ..... D6/513  
D459,129 S 6/2002 Steele

(76) **Inventor:** **Jay L. Wells**, 18719 Timbers Edge Dr.,  
Humble, TX (US) 77346

\* cited by examiner

(\*\*) **Term:** **14 Years**

*Primary Examiner*—Brian N Vinson  
(74) *Attorney, Agent, or Firm*—Patent & Trademark  
Services, Inc; Joseph H. McGlynn

(21) **Appl. No.:** **29/196,480**

(57) **CLAIM**

(22) **Filed:** **Dec. 31, 2003**

The ornamental design for a martial arts belt display, as  
shown and described.

(51) **LOC (7) Cl.** ..... **06-06**

(52) **U.S. Cl.** ..... **D6/514**

(58) **Field of Search** ..... D6/512–514, 553,  
D6/524, 569–571; 206/315.7, 823; 211/13.1,  
113, 86.01; 248/309.1, 311.2

**DESCRIPTION**

FIG. 1 is a bottom, front, and right side perspective view of  
a martial arts belt display showing my new design;  
FIG. 2 is a right side elevational view thereof;  
FIG. 3 is a rear elevational view thereof; and,  
FIG. 4 is a top plan view thereof.

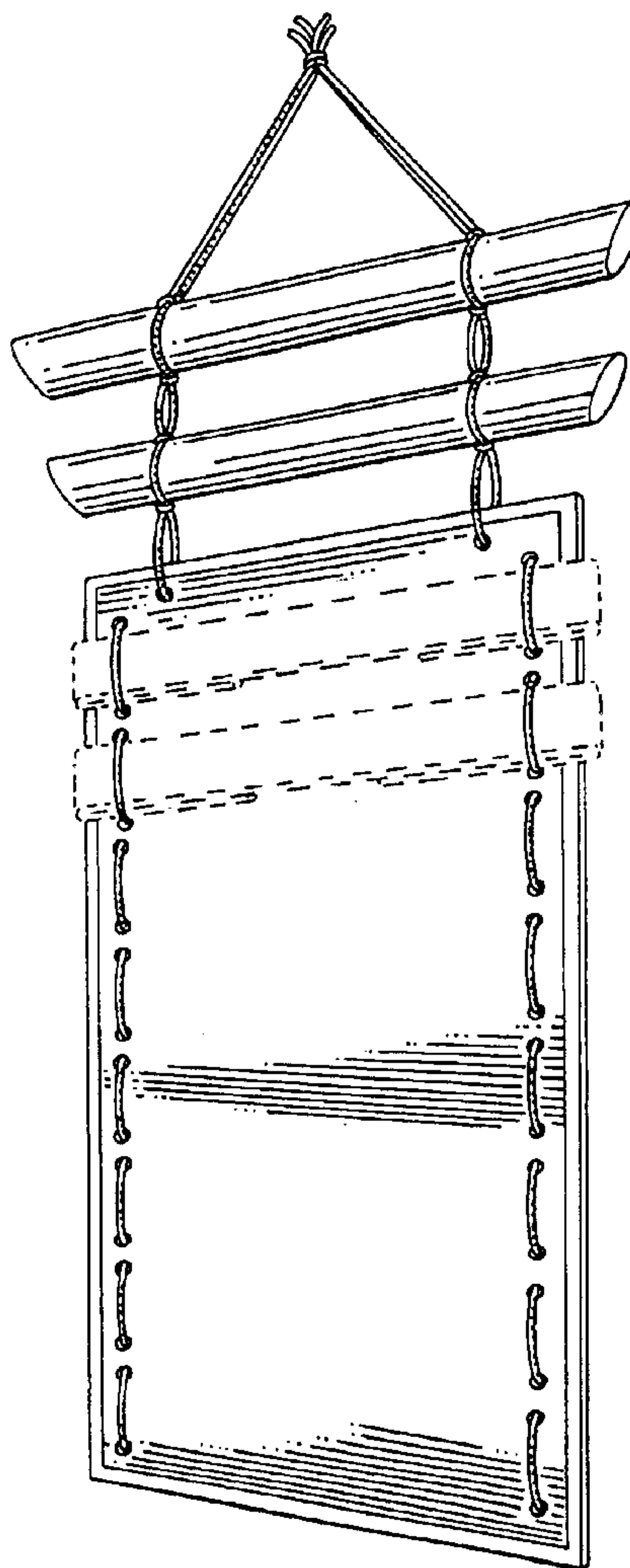
The broken-line disclosure of martial arts belts in the views  
is for illustrative purposes only and forms no part of the  
claimed design.

(56) **References Cited**

**U.S. PATENT DOCUMENTS**

D356,003 S \* 3/1995 Anderson ..... D6/570  
D386,018 S 11/1997 Tosto, Jr.  
D401,092 S \* 11/1998 Patel ..... D6/524  
D409,005 S 5/1999 Knight

**1 Claim, 2 Drawing Sheets**



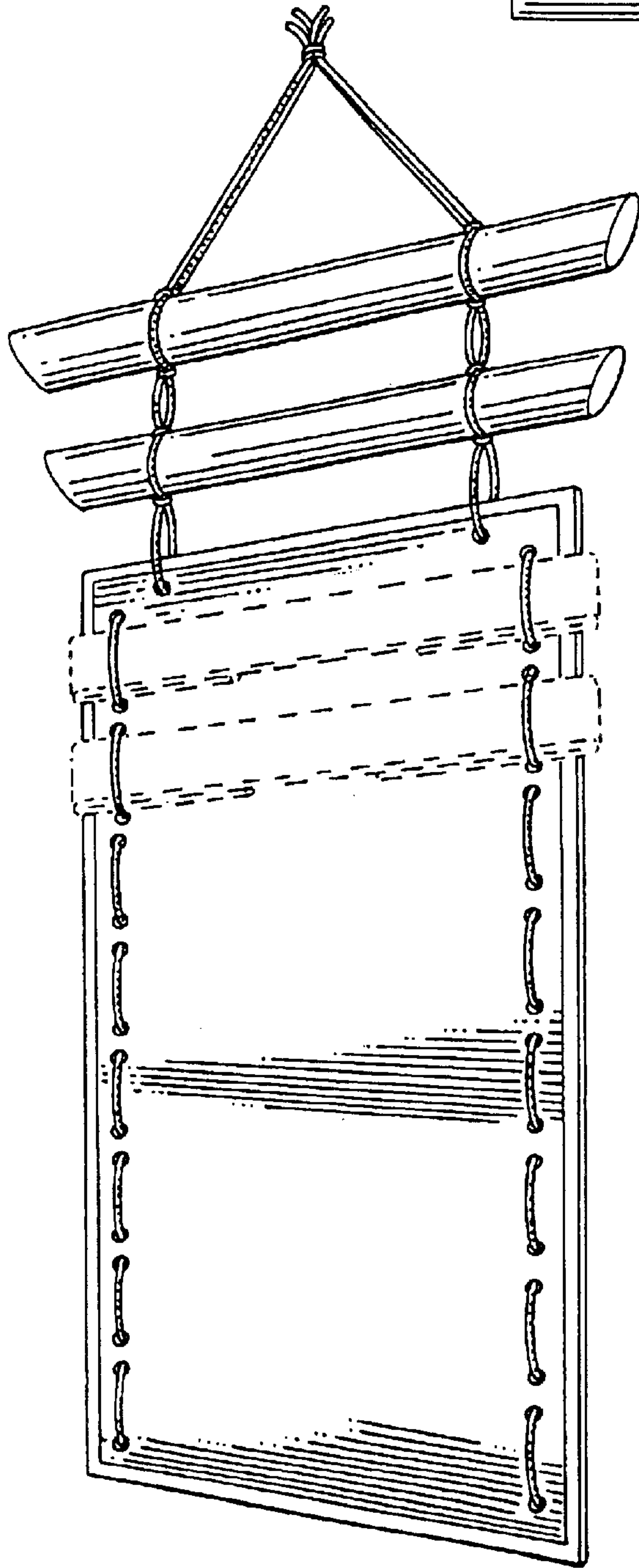


Fig. 1



Fig. 4

Fig. 2

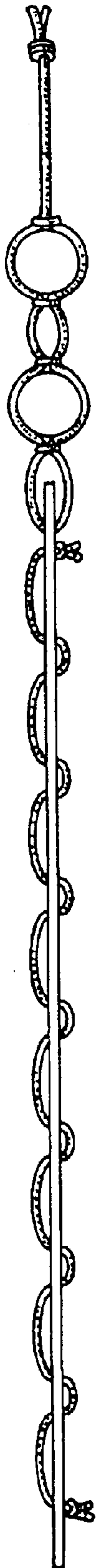


Fig. 3

