

US00D499284S

(12) **United States Design Patent**  
**Rafoth et al.**

(10) **Patent No.: US D499,284 S**  
(45) **Date of Patent: \*\* Dec. 7, 2004**

(54) **ANGLED-BAR CEILING RACK FOR POTS,  
PANS AND UTENSILS**

(75) Inventors: **Steven F. Rafoth**, Port Townsend, WA  
(US); **John J. Rodrigues**, Port  
Townsend, WA (US)

(73) Assignee: **Enclume Design Products, Inc.**, Port  
Hadlock, WA (US)

(\*\*) Term: **14 Years**

(21) Appl. No.: **29/198,877**

(22) Filed: **Feb. 4, 2004**

(51) **LOC (7) Cl.** ..... **06-06**

(52) **U.S. Cl.** ..... **D6/513**

(58) **Field of Search** ..... D6/512-514, 566;  
211/13.1, 113, 70.1, 119, 70.6, 71.01, 86.01;  
248/200, 302, 309.1, 317, 318, 338, 340,  
343

(56) **References Cited**

**U.S. PATENT DOCUMENTS**

D243,489 S	3/1977	Moore	
D282,995 S	3/1986	Beverly	
4,714,166 A	* 12/1987	Hann et al.	211/113
D335,986 S	6/1993	Saffell	
D353,502 S	12/1994	Liu	
D359,644 S	6/1995	O'Briant et al.	
D392,133 S	* 3/1998	Chen	D6/513
D406,972 S	* 3/1999	McCoy	D6/513

D408,666 S	*	4/1999	Sorensen et al.	.....	D6/513
D455,922 S	*	4/2002	Rafoth et al.	.....	D6/513
D458,071 S		6/2002	Hoernig		
D468,942 S	*	1/2003	Rafoth et al.	.....	D6/513
D468,947 S		1/2003	Rafoth et al.		
D469,286 S		1/2003	Rafoth et al.		

\* cited by examiner

*Primary Examiner*—Brian N Vinson

(74) *Attorney, Agent, or Firm*—Klarquist Sparkman LLP

(57) **CLAIM**

The ornamental design for an angled-bar ceiling rack for pots, pans and utensils, as shown and described.

**DESCRIPTION**

FIG. 1 is a perspective view of an angled-bar ceiling rack for pots, pans and utensils showing our new design, the broken-line disclosure of the hanging chain is for illustrative purposes only and forms no part of the claimed design.

FIG. 2 is a side view of the ceiling rack of FIG. 1 looking from the right side of FIG. 1, it being understood that the side view from the left side is a mirror image of the view shown in FIG. 2.

FIG. 3 is a top view of the ceiling rack of FIG. 1.

FIG. 4 is a front view of a ceiling rack of FIG. 1, it being understood that the rearview is the same as the front view; and,

FIG. 5 illustrates a bottom view of the ceiling rack of FIG. 1.

**1 Claim, 2 Drawing Sheets**

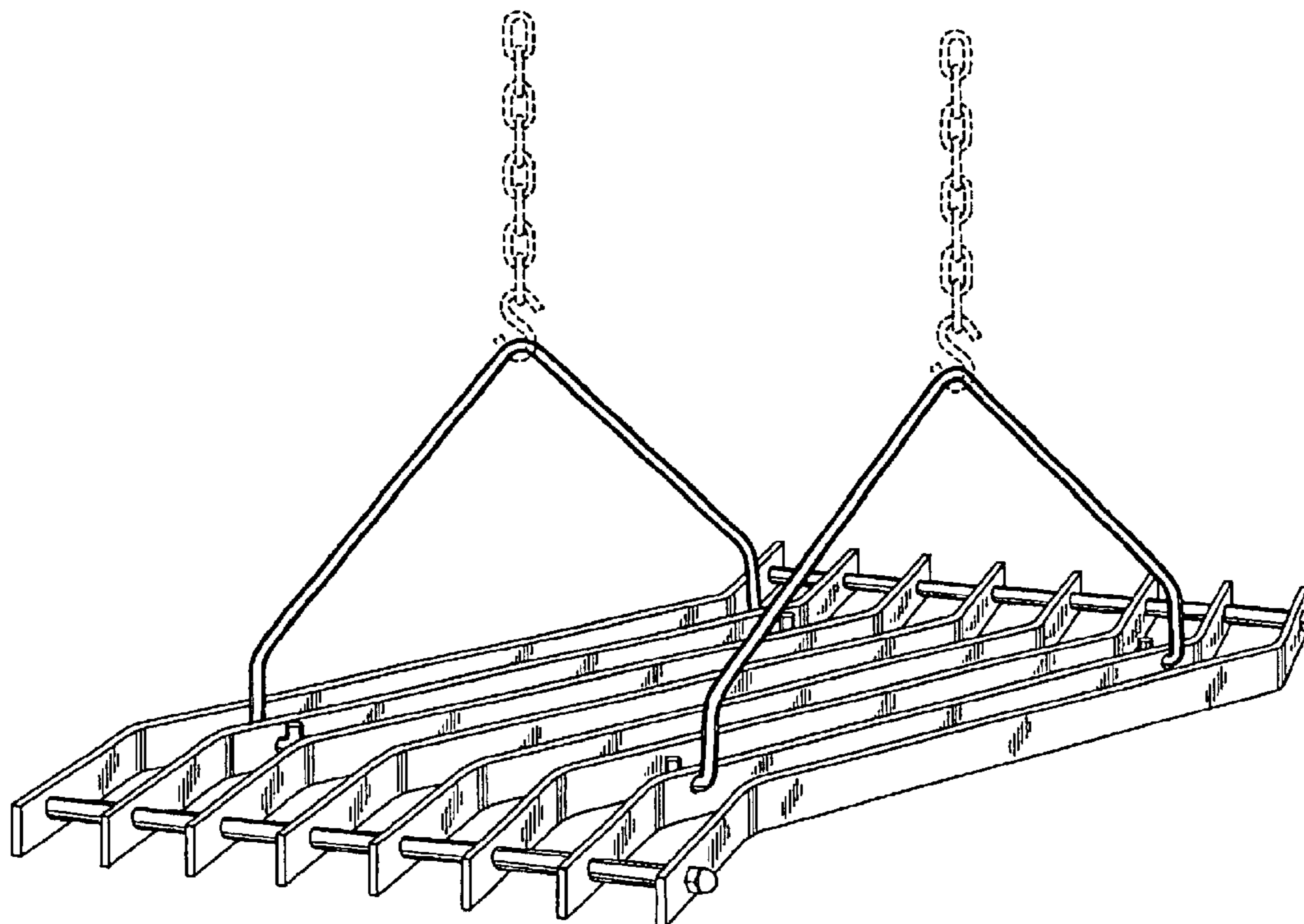


FIG. 1

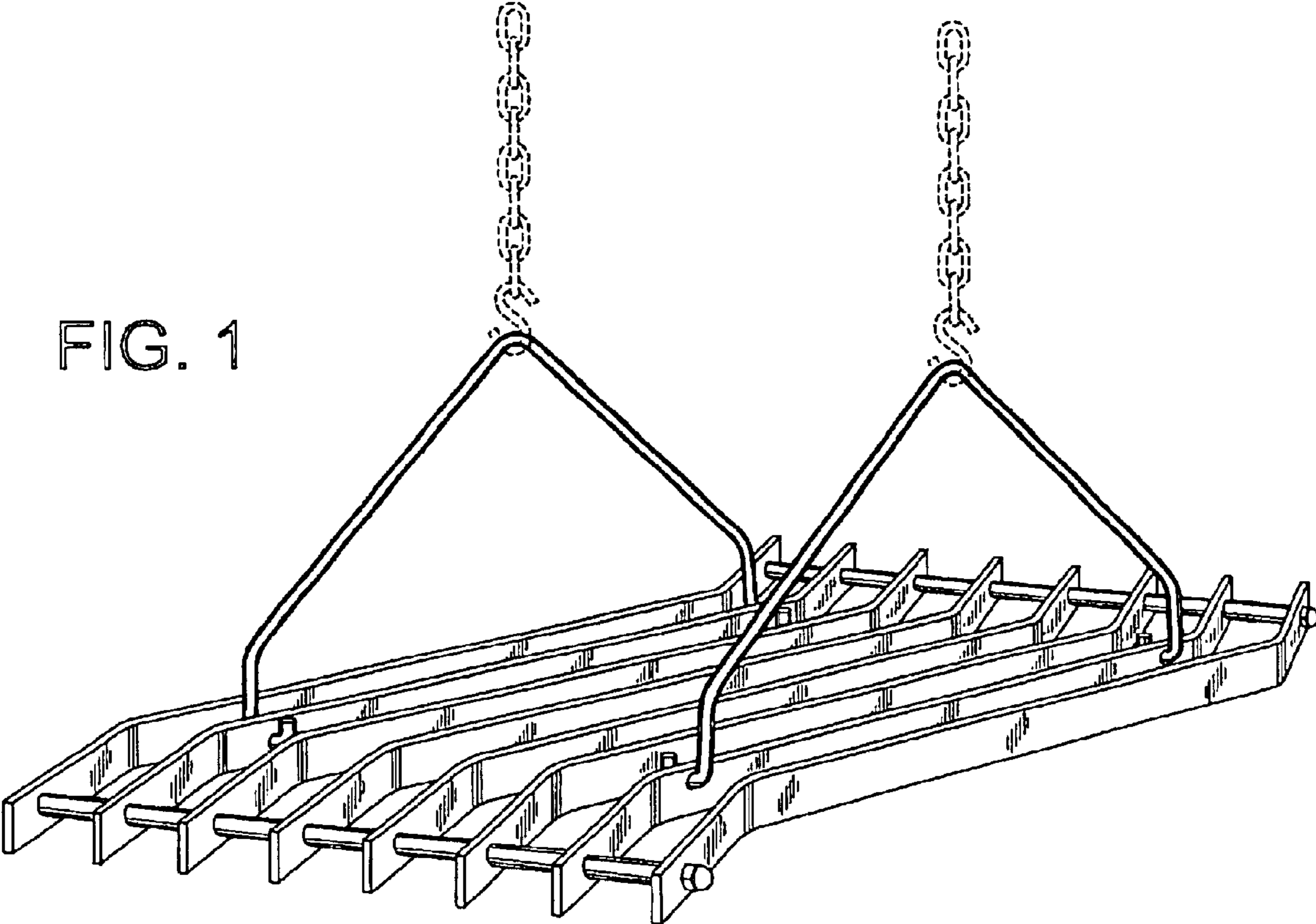
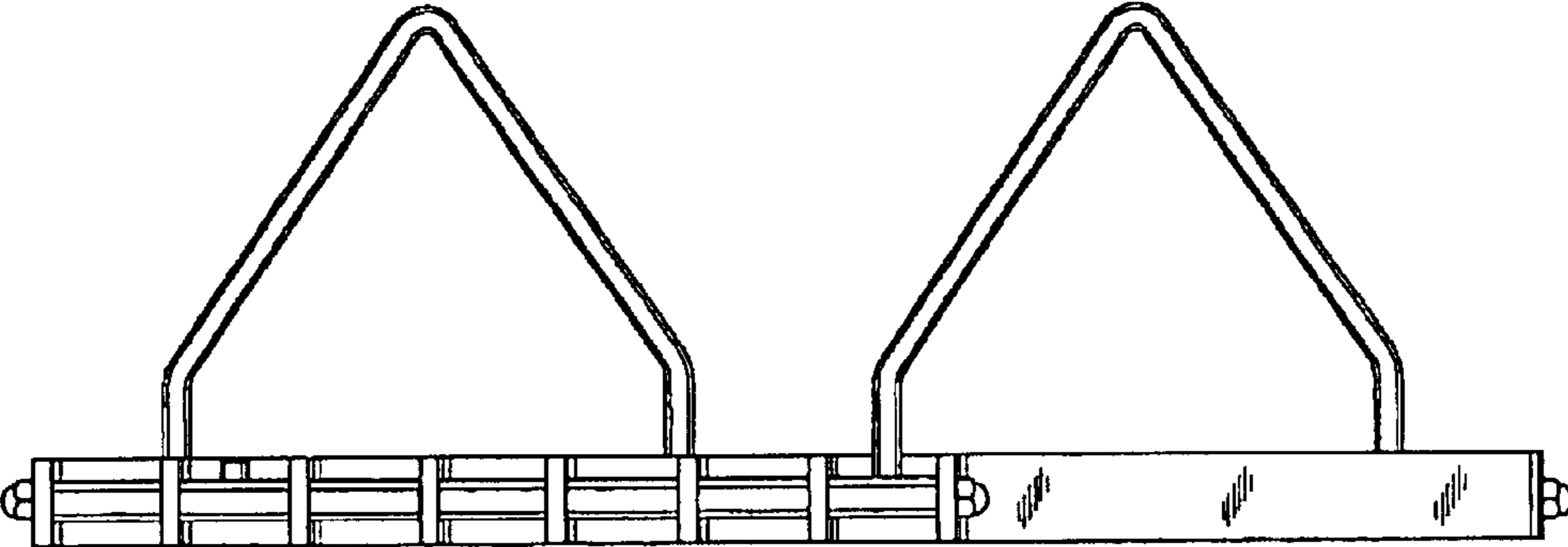


FIG. 2



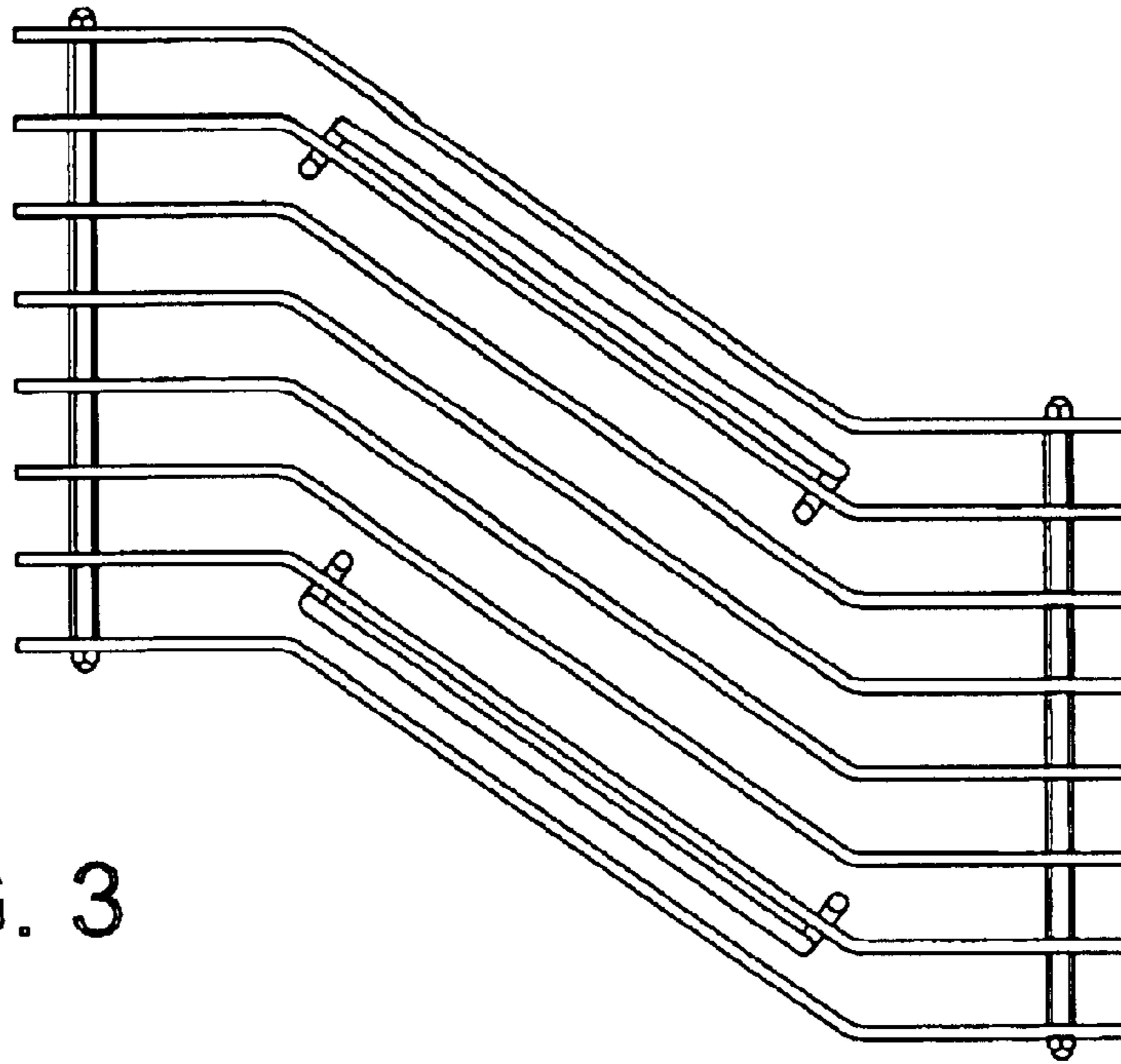


FIG. 3

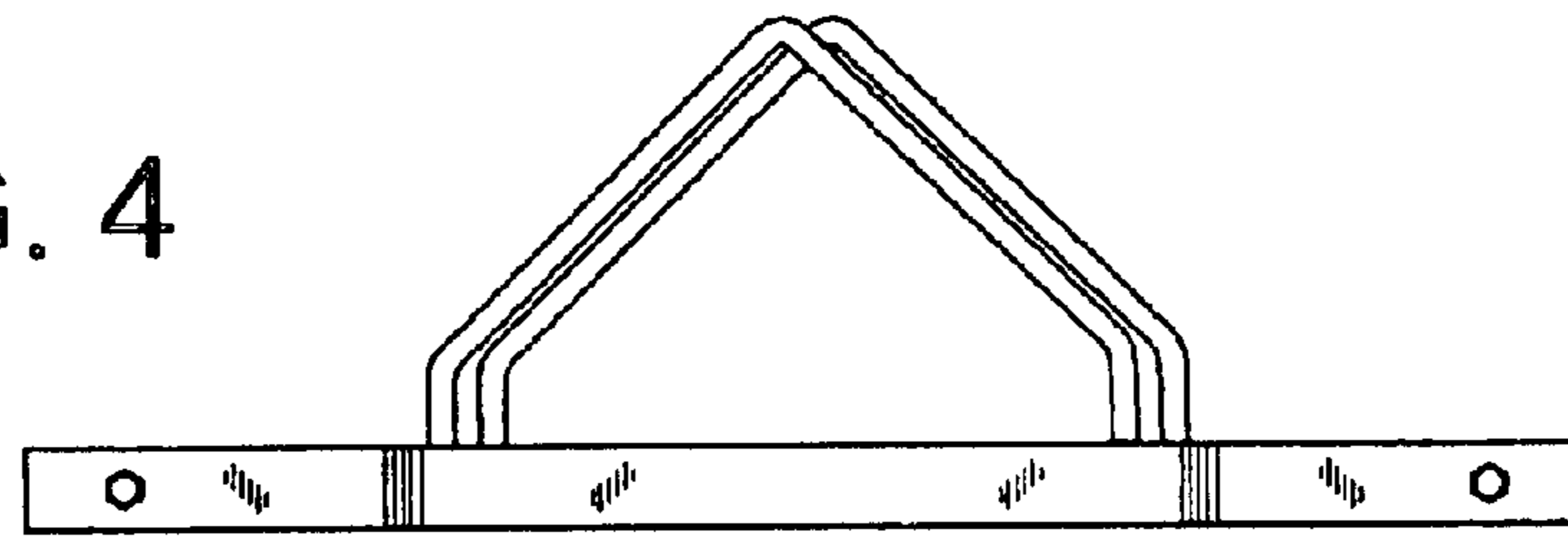


FIG. 4

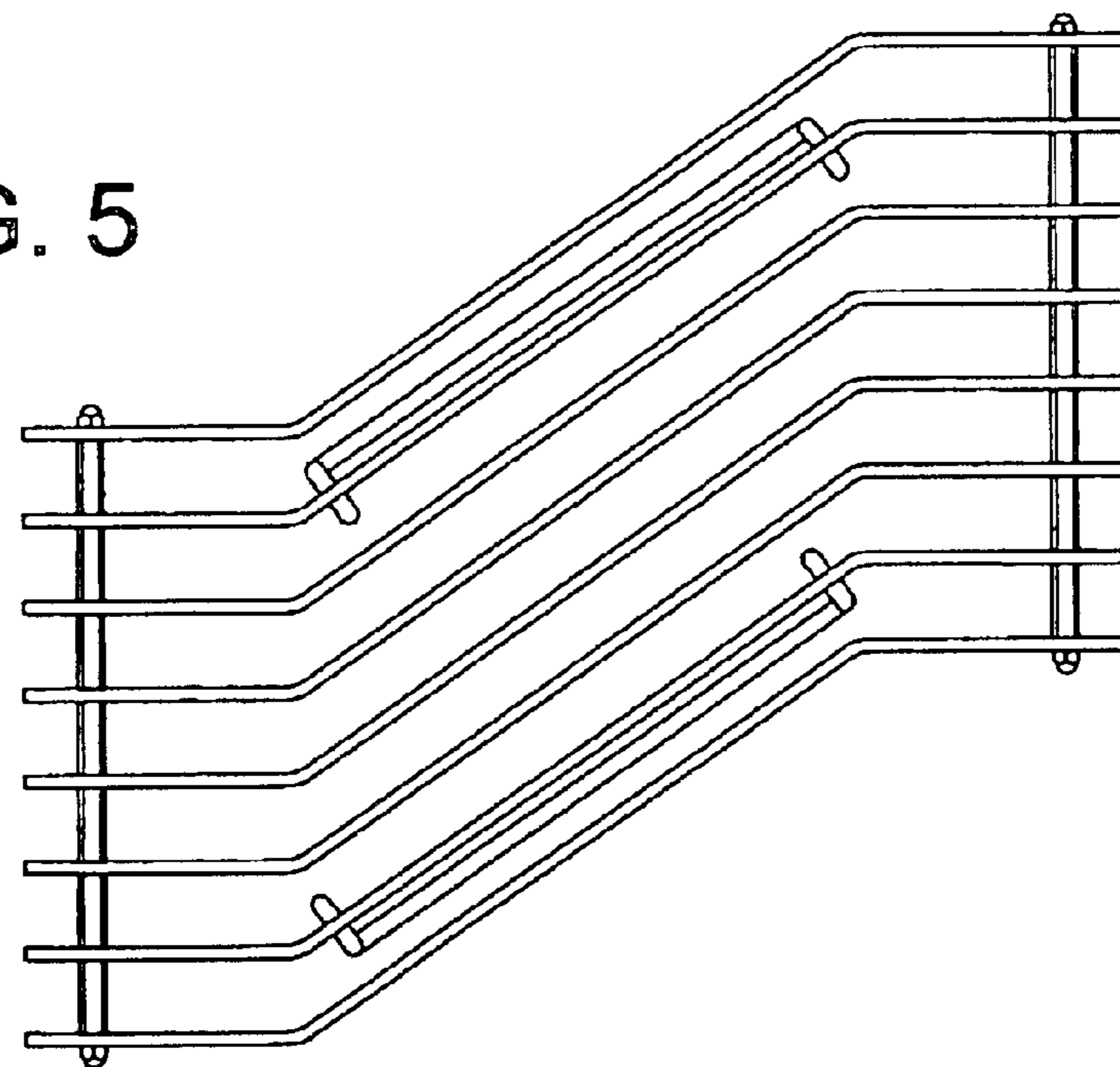


FIG. 5